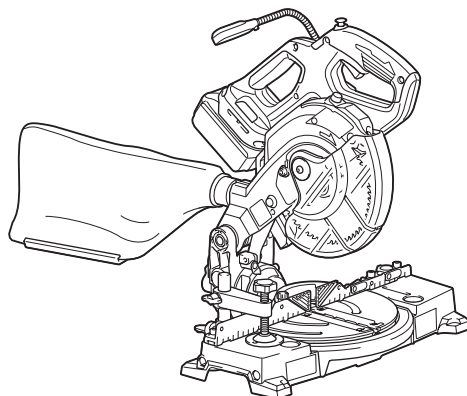




EN	Cordless Compound Miter Saw	INSTRUCTION MANUAL	12
SV	Batteridrivnen kap- och geringskombinationssåg	BRUKSANVISNING	25
NO	Batteridrevet gjæringsssag for kobinasjonssaging	BRUKSANVISNING	38
FI	Akkukäyttöinen katkaisu- ja pöytäsaaha	KÄYTTÖOHJE	51
LV	Bezvadnu kombinētais lenķzāģis	LIETOŠANAS INSTRUKCIJA	64
LT	Belaidis kombinuotasis įžambiai pjauantis pjūklas	NAUDOJIMO INSTRUKCIJA	77
ET	Juhtmēta liit-eerungisaag	KASUTUSJUHEND	91
RU	Акумуляторная торцовочная пила	РУКОВОДСТВО ПО ЭКСПЛУАТАЦИИ	104

DLS600



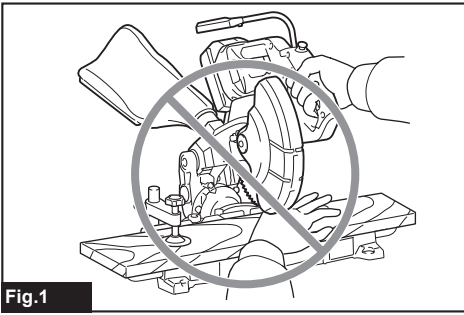


Fig.1

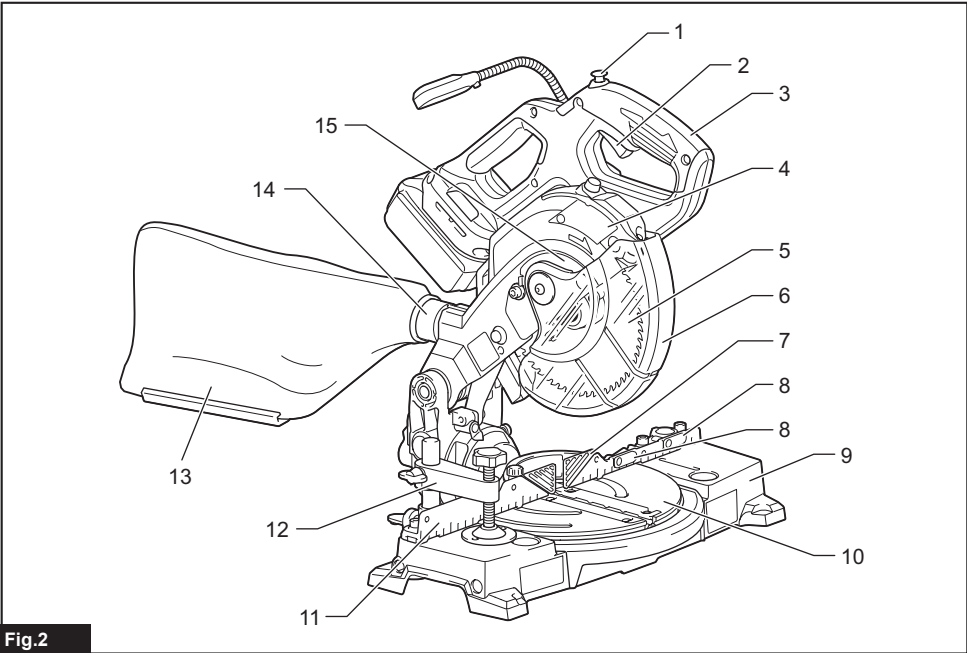


Fig.2

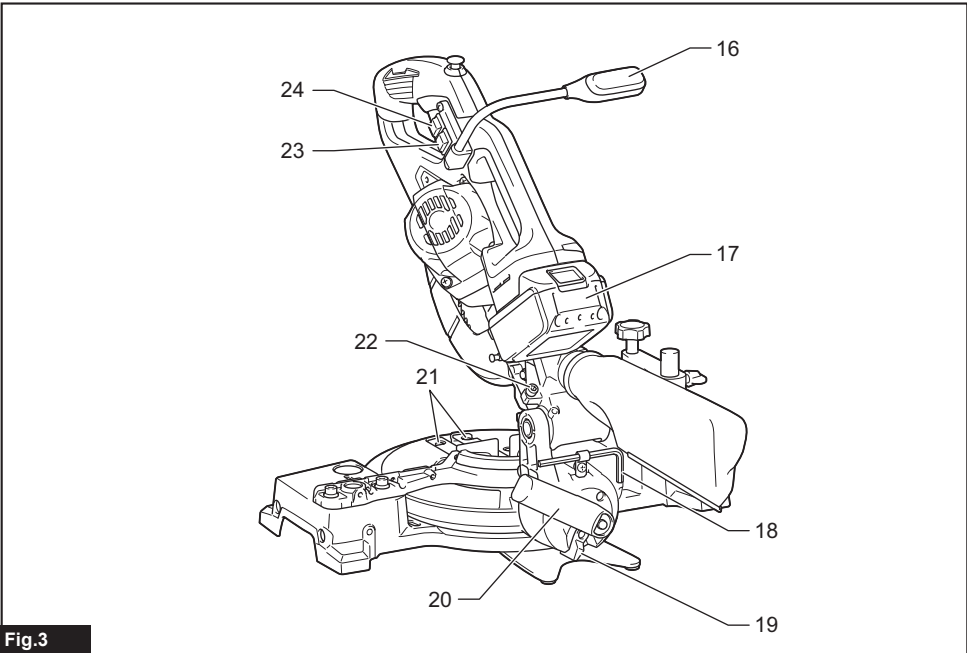


Fig.3

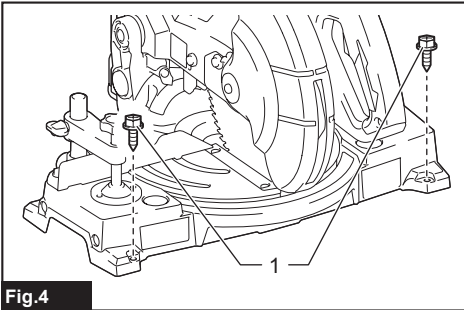


Fig.4

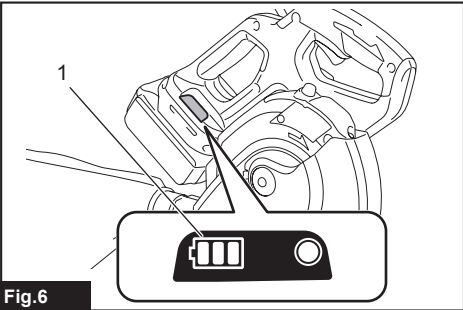


Fig.6

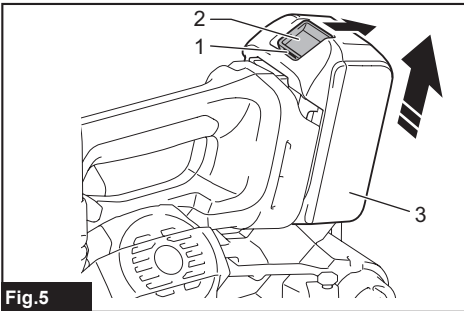


Fig.5

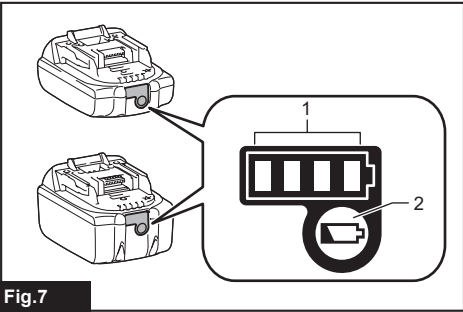


Fig.7

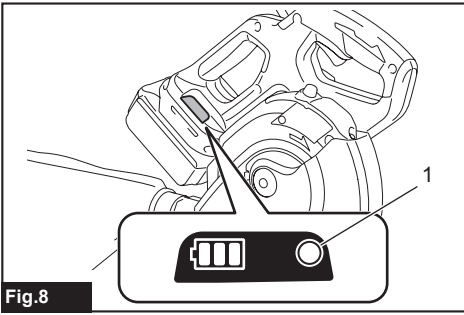


Fig.8

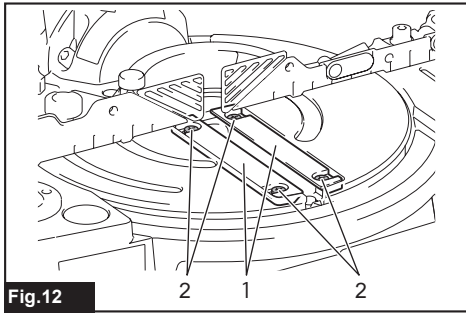


Fig.12

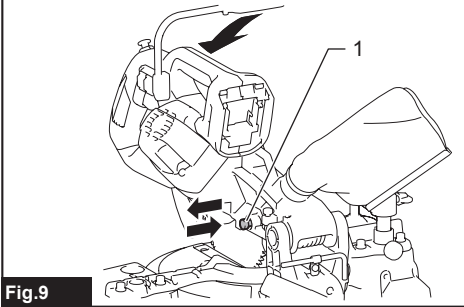


Fig.9

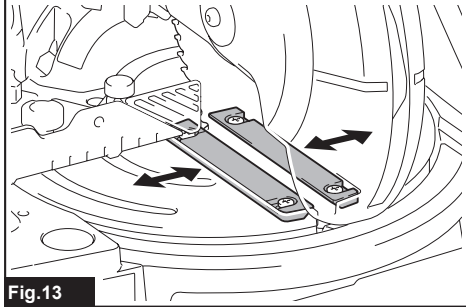


Fig.13

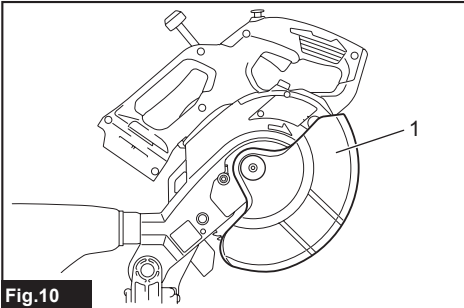


Fig.10

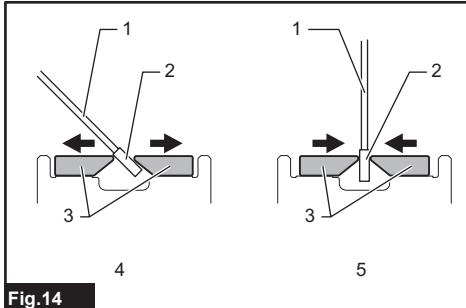


Fig.14

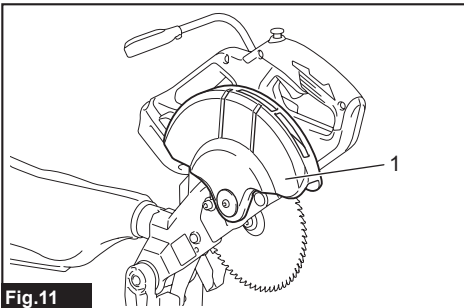


Fig.11

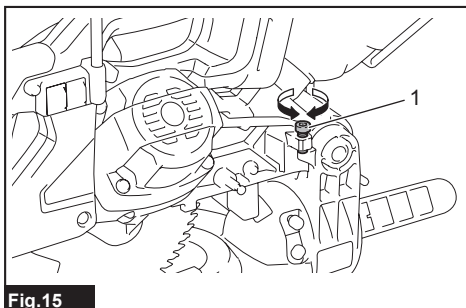


Fig.15

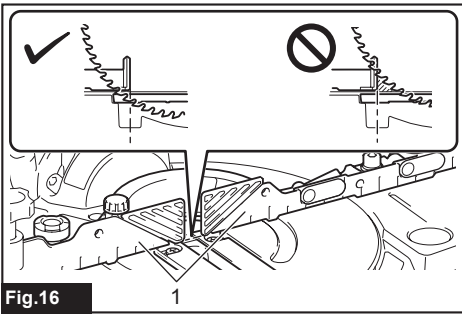


Fig.16

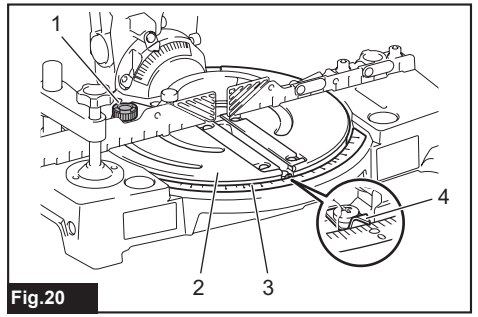


Fig.20

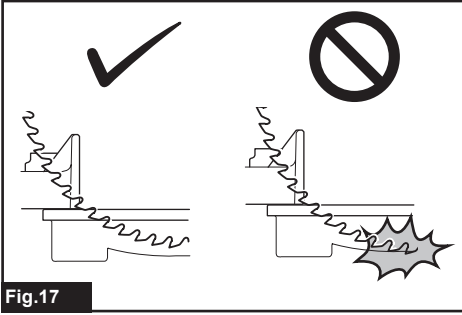


Fig.17

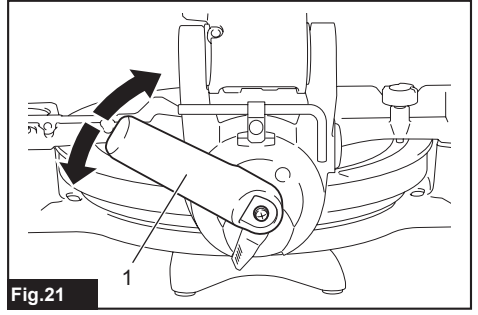


Fig.21

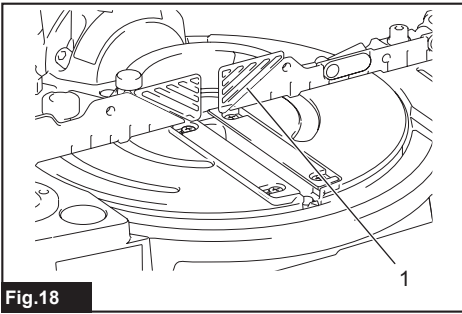


Fig.18

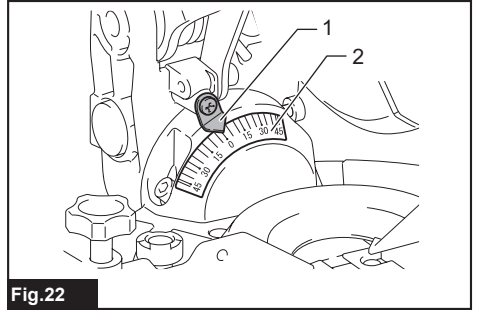


Fig.22

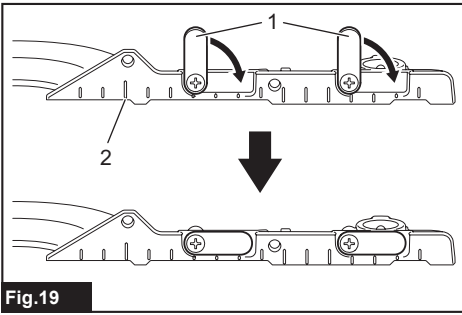


Fig.19

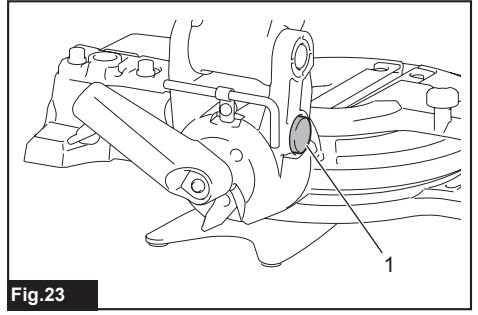


Fig.23

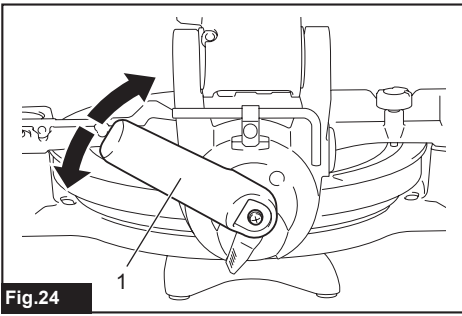


Fig.24

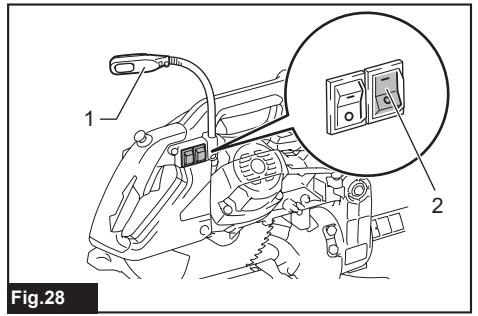


Fig.28

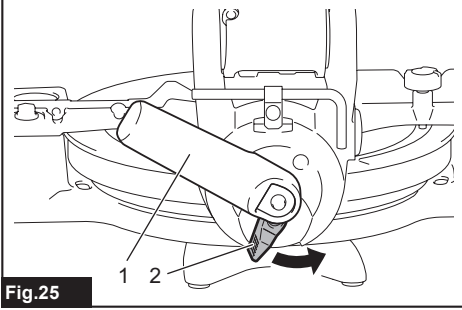


Fig.25

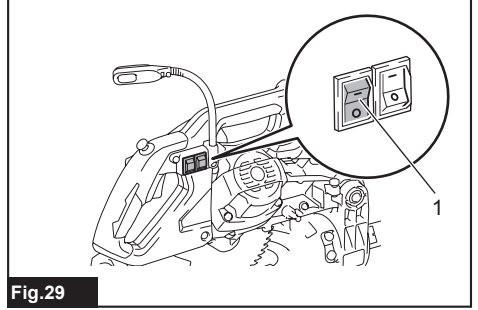


Fig.29

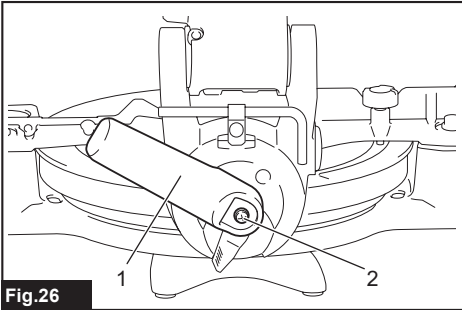


Fig.26

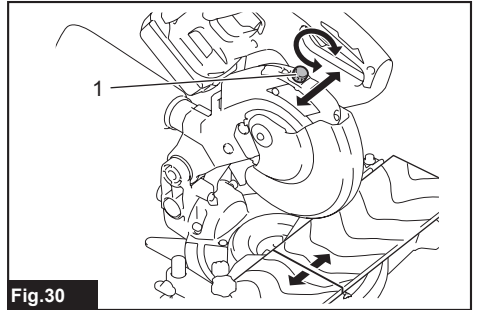


Fig.30

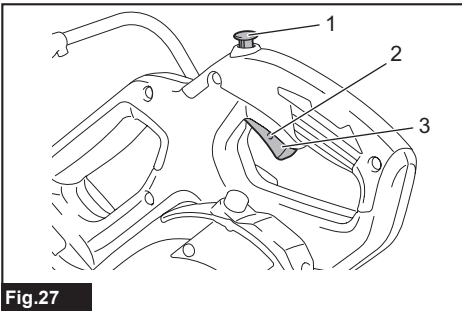


Fig.27

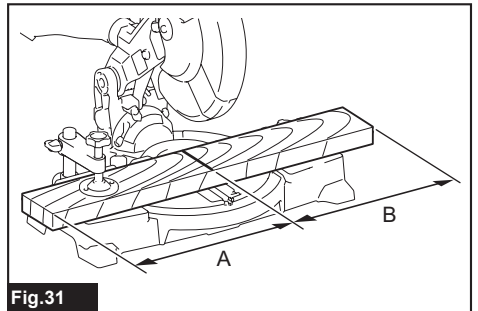


Fig.31

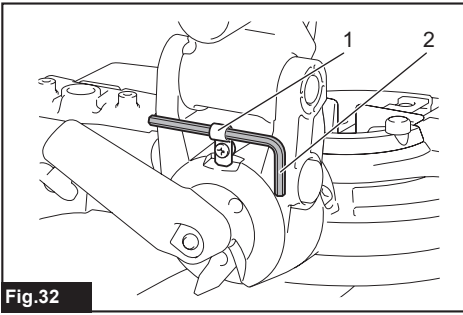


Fig.32

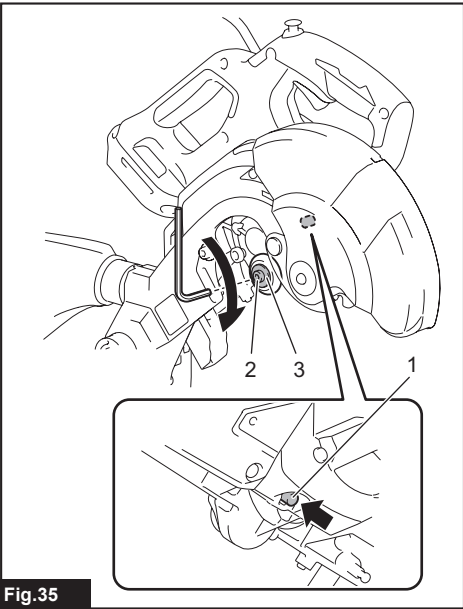


Fig.35

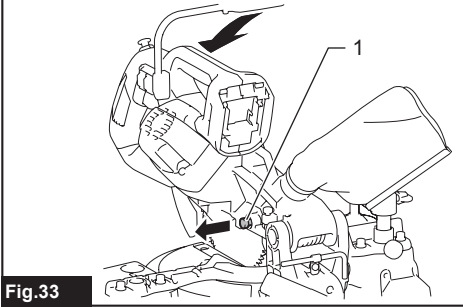


Fig.33

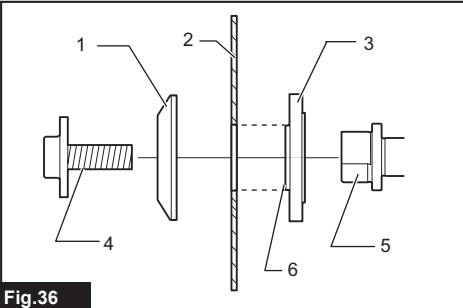


Fig.36

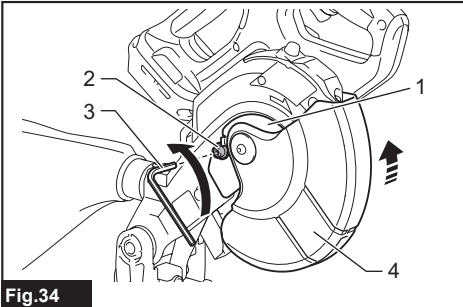


Fig.34

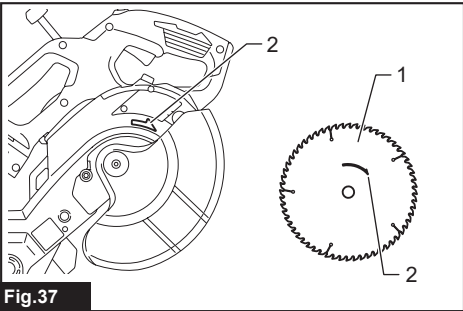


Fig.37

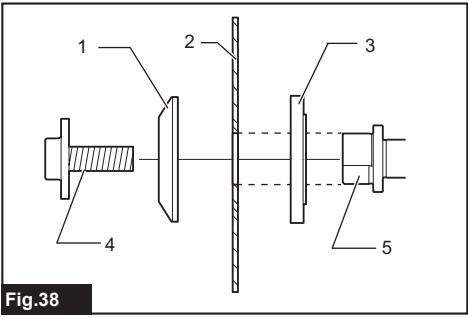


Fig.38

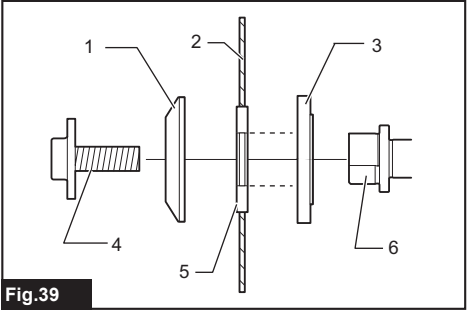


Fig.39

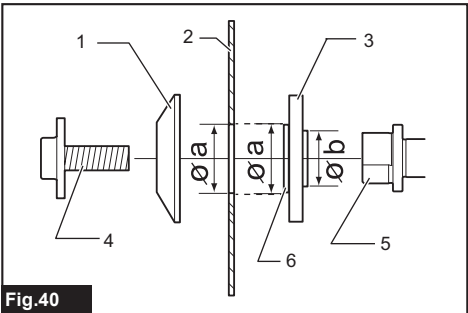


Fig.40

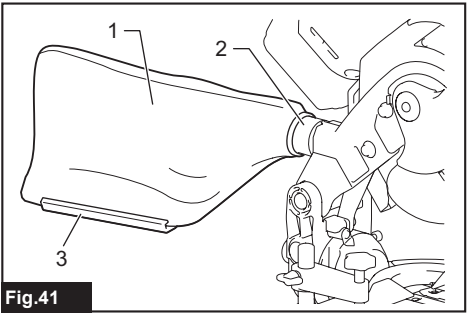


Fig.41

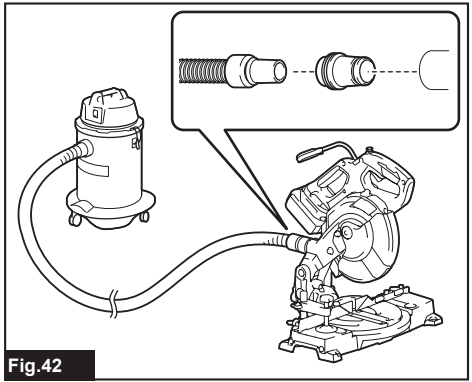


Fig.42

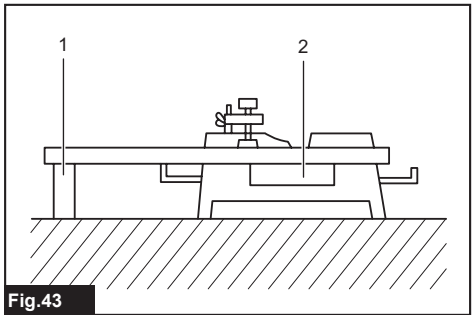


Fig.43

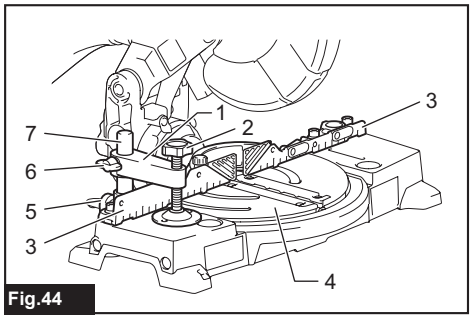


Fig.44

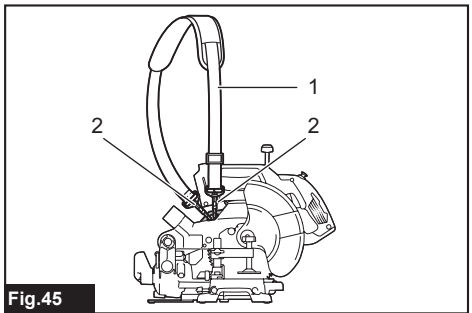


Fig.45

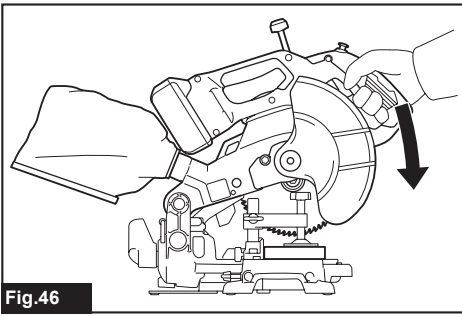


Fig.46

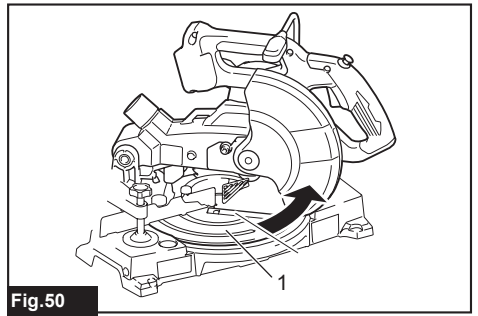


Fig.50

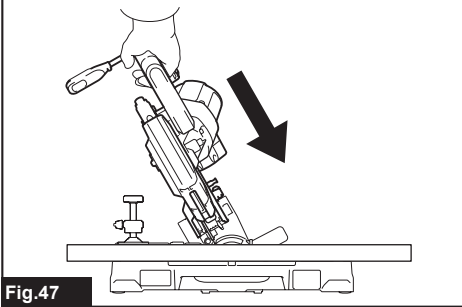


Fig.47

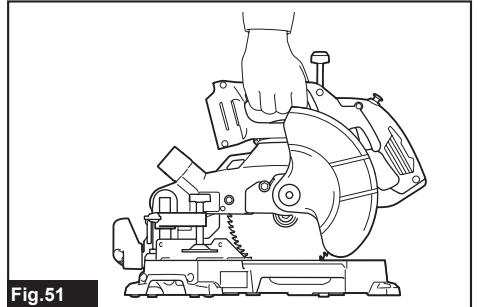


Fig.51

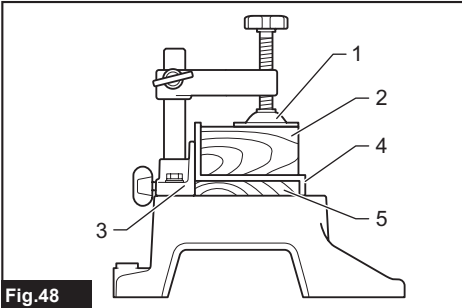


Fig.48

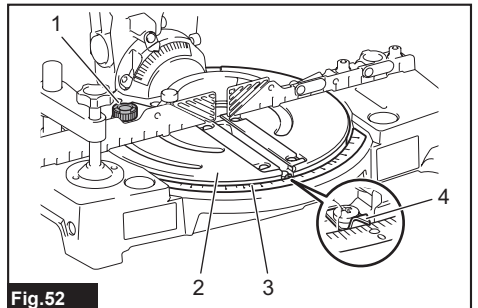


Fig.52

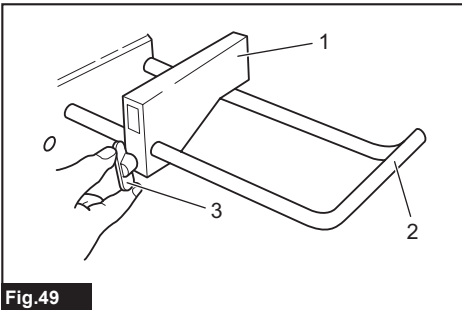


Fig.49

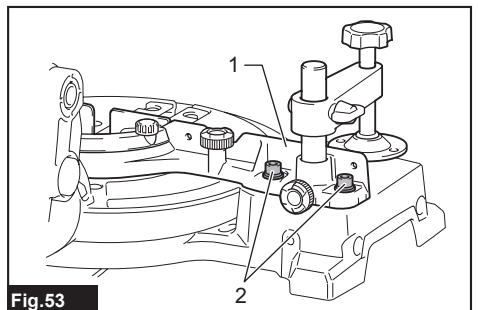


Fig.53

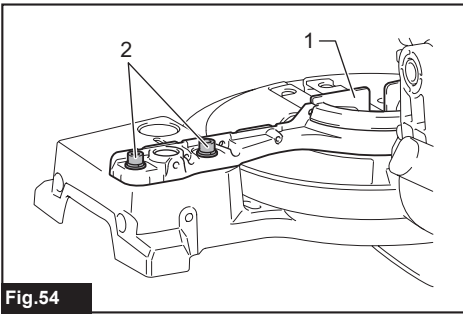


Fig.54

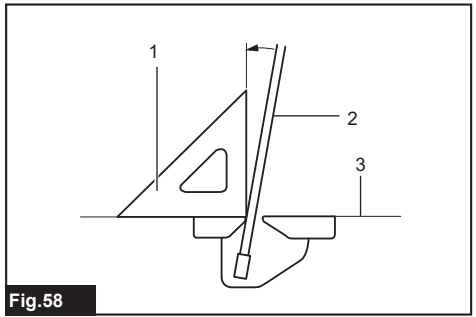


Fig.58

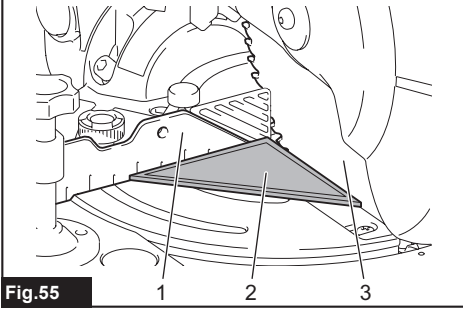


Fig.55

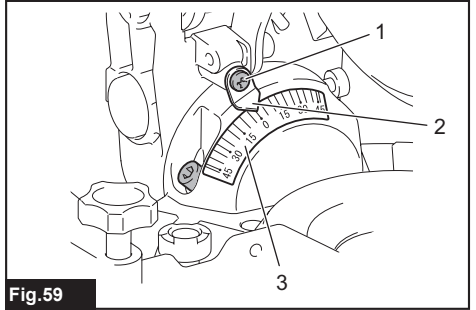


Fig.59

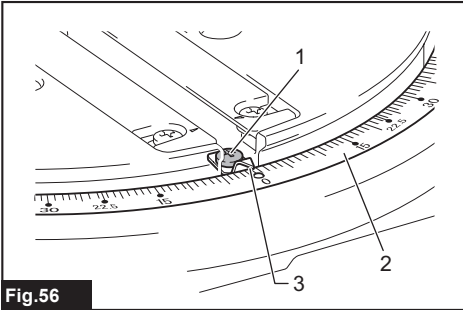


Fig.56

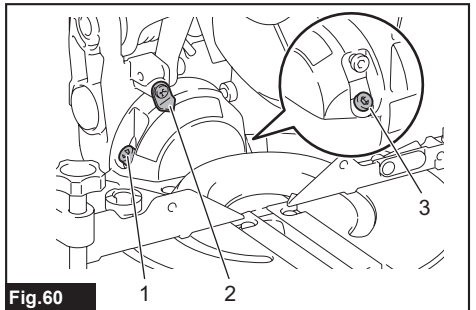


Fig.60

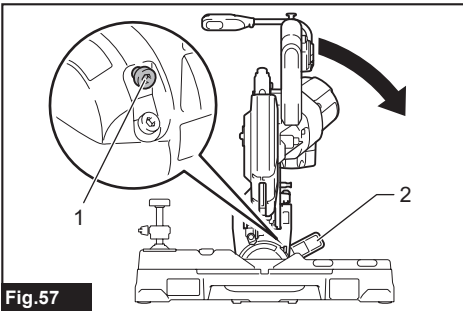


Fig.57

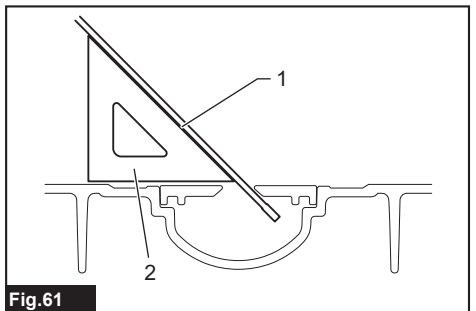


Fig.61

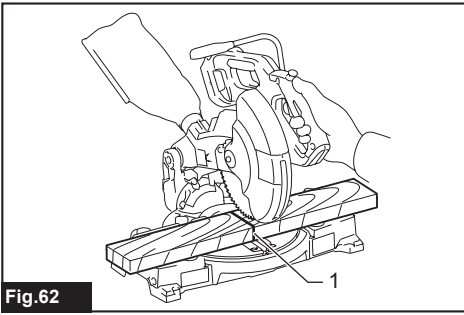


Fig.62

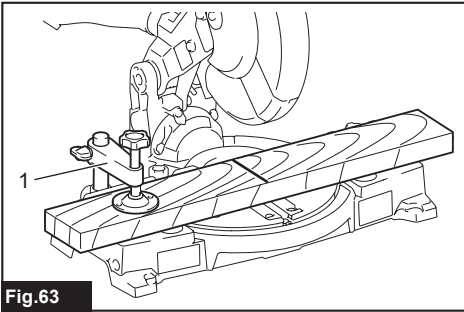


Fig.63

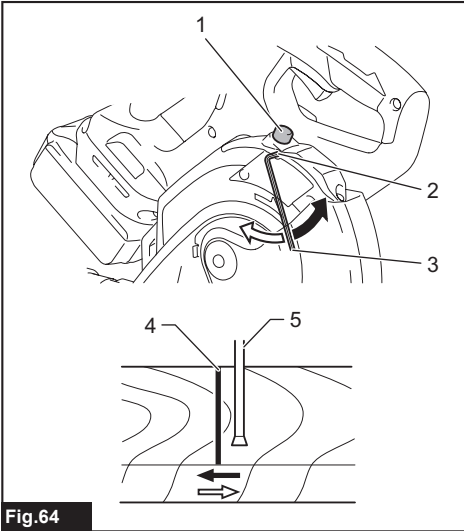


Fig.64

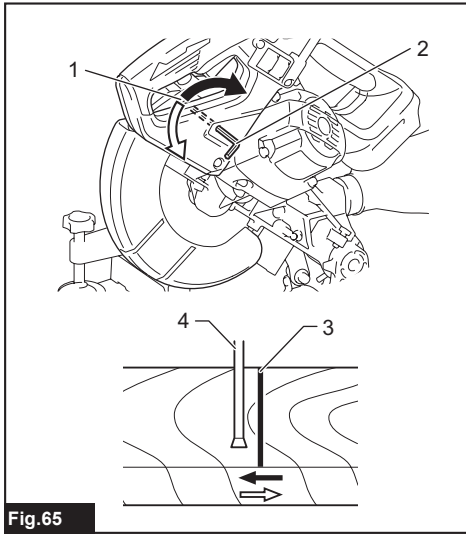


Fig.65

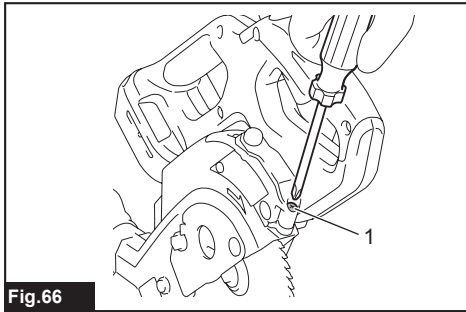


Fig.66

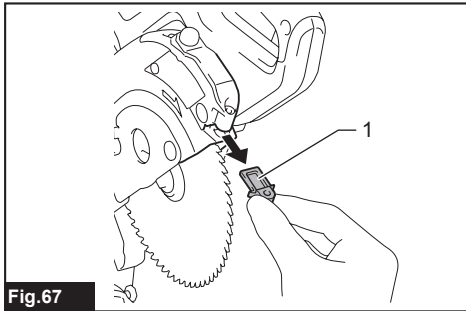


Fig.67

SPECIFICATIONS

Model:	DLS600
Blade diameter	165 mm
Hole (arbor) diameter	20 mm
Max. miter angle	Left 52°, Right 52°
Max. bevel angle	Left 45° (46° when using release lever), Right 45° (46° when using release lever)
No load speed	5,000 min ⁻¹
Laser type	Red Laser 650 nm, Maximum output < 1.6mW (Laser Class 2M)
Dimensions (L x W x H)	340 mm x 400 mm x 440 mm
Rated voltage	D.C. 18 V
Standard battery cartridge	BL1815N / BL1820 / BL1820B / BL1830 / BL1830B / BL1840 / BL1840B / BL1850 / BL1850B / BL1860B
Charger	DC18RC / DC18RD / DC18SD / DC18SE / DC18SF
Net weight	6.3 - 6.6 kg





Max. Cutting capacities (H x W) with blade 165 mm

Miter angle	Bevel angle		
	45° (left)	0°	45° (right)
0°	30 mm x 92 mm	46 mm x 92 mm	15 mm x 92 mm
45° (left and right)	30 mm x 65 mm	46 mm x 65 mm	15 mm x 65 mm

- Due to our continuing program of research and development, the specifications herein are subject to change without notice.
- Specifications and battery cartridge may differ from country to country.
- The weight may differ depending on the attachment(s), including the battery cartridge. The lightest and heaviest combination, according to EPTA-Procedure 01/2014, are shown in the table.

Symbols

The following show the symbols used for the equipment. Be sure that you understand their meaning before use.

	Read instruction manual.
	To avoid injury from flying debris, keep holding the saw head down, after making cuts, until the blade has come to a complete stop.
	Do not place hand or fingers close to the blade.
	Never look into the laser beam. Direct laser beam may injure your eyes.



Only for EU countries
Do not dispose of electric equipment or battery pack together with household waste material! In observance of the European Directives, on Waste Electric and Electronic Equipment and Batteries and Accumulators and Waste Batteries and Accumulators and their implementation in accordance with national laws, electric equipment and batteries and battery pack(s) that have reached the end of their life must be collected separately and returned to an environmentally compatible recycling facility.

Intended use

The tool is intended for accurate straight and miter cutting in wood. With appropriate saw blades, aluminum can also be sawed.
Do not use the saw to cut other than wood, aluminum or similar materials.

Noise

The typical A-weighted noise level determined according to EN62841:
Sound pressure level (L_{PA}) : 90 dB(A)
Sound power level (L_{WA}) : 97 dB (A)
Uncertainty (K) : 3 dB(A)

⚠ WARNING: Wear ear protection.

Vibration

The vibration total value (tri-axial vector sum) determined according to EN62841:

Vibration emission (a_w): 2.5 m/s² or less

Uncertainty (K): 1.5 m/s²

NOTE: The declared vibration emission value has been measured in accordance with the standard test method and may be used for comparing one tool with another.

NOTE: The declared vibration emission value may also be used in a preliminary assessment of exposure.

⚠ WARNING: The vibration emission during actual use of the power tool can differ from the declared emission value depending on the ways in which the tool is used.

⚠ WARNING: Be sure to identify safety measures to protect the operator that are based on an estimation of exposure in the actual conditions of use (taking account of all parts of the operating cycle such as the times when the tool is switched off and when it is running idle in addition to the trigger time).

EC Declaration of Conformity

For European countries only

The EC declaration of conformity is included as Annex A to this instruction manual.

SAFETY WARNINGS

General power tool safety warnings

⚠ WARNING: Read all safety warnings, instructions, illustrations and specifications provided with this power tool. Failure to follow all instructions listed below may result in electric shock, fire and/or serious injury.

Save all warnings and instructions for future reference.

The term "power tool" in the warnings refers to your mains-operated (corded) power tool or battery-operated (cordless) power tool.

Safety instructions for mitre saws

1. **Mitre saws are intended to cut wood or wood-like products, they cannot be used with abrasive cut-off wheels for cutting ferrous material such as bars, rods, studs, etc.** Abrasive dust causes moving parts such as the lower guard to jam. Sparks from abrasive cutting will burn the lower guard, the kerf insert and other plastic parts.
2. **Use clamps to support the workpiece whenever possible. If supporting the workpiece by hand, you must always keep your hand at least 100 mm from either side of the saw blade. Do not use this saw to cut pieces that are too small to be securely clamped or held by hand.** If your hand is placed too close to the saw blade, there is an increased risk of injury from blade contact.

3. **The workpiece must be stationary and clamped or held against both the fence and the table. Do not feed the workpiece into the blade or cut "freehand" in any way.** Unrestrained or moving workpieces could be thrown at high speeds, causing injury.
4. **Never cross your hand over the intended line of cutting either in front or behind the saw blade.** Supporting the workpiece "cross handed" i.e. holding the workpiece to the right of the saw blade with your left hand or vice versa is very dangerous.
► Fig.1
5. **Do not reach behind the fence with either hand closer than 100 mm from either side of the saw blade, to remove wood scraps, or for any other reason while the blade is spinning.** The proximity of the spinning saw blade to your hand may not be obvious and you may be seriously injured.
6. **Inspect your workpiece before cutting. If the workpiece is bowed or warped, clamp it with the outside bowed face toward the fence. Always make certain that there is no gap between the workpiece, fence and table along the line of the cut.** Bent or warped workpieces can twist or shift and may cause binding on the spinning saw blade while cutting. There should be no nails or foreign objects in the workpiece.
7. **Do not use the saw until the table is clear of all tools, wood scraps, etc., except for the workpiece.** Small debris or loose pieces of wood or other objects that contact the revolving blade can be thrown with high speed.
8. **Cut only one workpiece at a time.** Stacked multiple workpieces cannot be adequately clamped or braced and may bind on the blade or shift during cutting.
9. **Ensure the mitre saw is mounted or placed on a level, firm work surface before use.** A level and firm work surface reduces the risk of the mitre saw becoming unstable.
10. **Plan your work. Every time you change the bevel or mitre angle setting, make sure the adjustable fence is set correctly to support the workpiece and will not interfere with the blade or the guarding system.** Without turning the tool "ON" and with no workpiece on the table, move the saw blade through a complete simulated cut to assure there will be no interference or danger of cutting the fence.
11. **Provide adequate support such as table extensions, saw horses, etc. for a workpiece that is wider or longer than the table top.** Workpieces longer or wider than the mitre saw table can tip if not securely supported. If the cut-off piece or workpiece tips, it can lift the lower guard or be thrown by the spinning blade.
12. **Do not use another person as a substitute for a table extension or as additional support.** Unstable support for the workpiece can cause the blade to bind or the workpiece to shift during the cutting operation pulling you and the helper into the spinning blade.
13. **The cut-off piece must not be jammed or pressed by any means against the spinning saw blade.** If confined, i.e. using length stops, the cut-off piece could get wedged against the blade and thrown violently.

14. **Always use a clamp or a fixture designed to properly support round material such as rods or tubing.** Rods have a tendency to roll while being cut, causing the blade to "bite" and pull the work with your hand into the blade.
15. **Let the blade reach full speed before contacting the workpiece.** This will reduce the risk of the workpiece being thrown.
16. **If the workpiece or blade becomes jammed, turn the mitre saw off. Wait for all moving parts to stop and disconnect the plug from the power source and/or remove the battery pack. Then work to free the jammed material.** Continued sawing with a jammed workpiece could cause loss of control or damage to the mitre saw.
17. **After finishing the cut, release the switch, hold the saw head down and wait for the blade to stop before removing the cut-off piece.** Reaching with your hand near the coasting blade is dangerous.
18. **Hold the handle firmly when making an incomplete cut or when releasing the switch before the saw head is completely in the down position.** The braking action of the saw may cause the saw head to be suddenly pulled downward, causing a risk of injury.
19. **Only use the saw blade with the diameter that is marked on the tool or specified in the manual.** Use of an incorrectly sized blade may affect the proper guarding of the blade or guard operation which could result in serious personal injury.
20. **Only use the saw blades that are marked with a speed equal or higher than the speed marked on the tool.**
21. **Do not use the saw to cut other than wood, aluminum or similar materials.**
22. **(For European countries only)
Always use the blade which conforms to EN847-1.**
10. **Be careful not to damage the arbor, flanges (especially the installing surface) or bolt. Damage to these parts could result in blade breakage.**
11. **Make sure that the turn base is properly secured so it will not move during operation. Use the holes in the base to fasten the saw to a stable work platform or bench. NEVER use tool where operator positioning would be awkward.**
12. **Make sure the shaft lock is released before the switch is turned on.**
13. **Be sure that the blade does not contact the turn base in the lowest position.**
14. **Hold the handle firmly. Be aware that the saw moves up or down slightly during start-up and stopping.**
15. **Make sure the blade is not contacting the workpiece before the switch is turned on.**
16. **Before using the tool on an actual workpiece, let it run for a while. Watch for vibration or wobbling that could indicate poor installation or a poorly balanced blade.**
17. **Stop operation immediately if you notice anything abnormal.**
18. **Do not attempt to lock the trigger in the "ON" position.**
19. **Always use accessories recommended in this manual. Use of improper accessories such as abrasive wheels may cause an injury.**
20. **Some material contains chemicals which may be toxic. Take caution to prevent dust inhalation and skin contact. Follow material supplier safety data.**

Additional safety rules for the laser

1. **LASER RADIATION, DO NOT STARE INTO THE BEAM OR VIEW DIRECTLY WITH OPTICAL INSTRUMENTS, CLASS 2M LASER PRODUCT.**

SAVE THESE INSTRUCTIONS.

⚠WARNING: DO NOT let comfort or familiarity with product (gained from repeated use) replace strict adherence to safety rules for the subject product. MISUSE or failure to follow the safety rules stated in this instruction manual may cause serious personal injury.

Important safety instructions for battery cartridge

1. **Before using battery cartridge, read all instructions and cautionary markings on (1) battery charger, (2) battery, and (3) product using battery.**
2. **Do not disassemble battery cartridge.**
3. **If operating time has become excessively shorter, stop operating immediately. It may result in a risk of overheating, possible burns and even an explosion.**
4. **If electrolyte gets into your eyes, rinse them out with clear water and seek medical attention right away. It may result in loss of your eyesight.**
1. **Make workshop kid proof with padlocks.**
2. **Never stand on the tool.** Serious injury could occur if the tool is tipped or if the cutting tool is unintentionally contacted.
3. **Never leave the tool running unattended. Turn the power off. Do not leave tool until it comes to a complete stop.**
4. **Do not operate saw without guards in place. Check blade guard for proper closing before each use. Do not operate saw if blade guard does not move freely and close instantly. Never clamp or tie the blade guard into the open position.**
5. **Keep hands out of path of saw blade. Avoid contact with any coasting blade. It can still cause severe injury.**
6. **Always secure all moving portions before carrying the tool.**
7. **Stopper pin which locks the cutter head down is for carrying and storage purposes only and not for any cutting operations.**
8. **Check the blade carefully for cracks or damage before operation. Replace cracked or damaged blade immediately. Gum and wood pitch hardened on blades slows saw and increases potential for kickback. Keep blade clean by first removing it from tool, then cleaning it with gum and pitch remover, hot water or kerosene. Never use gasoline to clean blade.**
9. **Use only flanges specified for this tool.**

5. **Do not short the battery cartridge:**
 - (1) **Do not touch the terminals with any conductive material.**
 - (2) **Avoid storing battery cartridge in a container with other metal objects such as nails, coins, etc.**
 - (3) **Do not expose battery cartridge to water or rain.**

A battery short can cause a large current flow, overheating, possible burns and even a breakdown.

6. **Do not store the tool and battery cartridge in locations where the temperature may reach or exceed 50 °C (122 °F).**
7. **Do not incinerate the battery cartridge even if it is severely damaged or is completely worn out. The battery cartridge can explode in a fire.**
8. **Be careful not to drop or strike battery.**
9. **Do not use a damaged battery.**
10. **The contained lithium-ion batteries are subject to the Dangerous Goods Legislation requirements.**

For commercial transports e.g. by third parties, forwarding agents, special requirement on packaging and labeling must be observed.

For preparation of the item being shipped, consulting an expert for hazardous material is required. Please also observe possibly more detailed national regulations.

Tape or mask off open contacts and pack up the battery in such a manner that it cannot move around in the packaging.

11. **Follow your local regulations relating to disposal of battery.**

SAVE THESE INSTRUCTIONS.

⚠ CAUTION: Only use genuine Makita batteries. Use of non-genuine Makita batteries, or batteries that have been altered, may result in the battery bursting causing fires, personal injury and damage. It will also void the Makita warranty for the Makita tool and charger.

Tips for maintaining maximum battery life

1. **Charge the battery cartridge before completely discharged. Always stop tool operation and charge the battery cartridge when you notice less tool power.**
2. **Never recharge a fully charged battery cartridge. Overcharging shortens the battery service life.**
3. **Charge the battery cartridge with room temperature at 10 °C - 40 °C (50 °F - 104 °F). Let a hot battery cartridge cool down before charging it.**
4. **Charge the battery cartridge if you do not use it for a long period (more than six months).**

PARTS DESCRIPTION

► Fig.2

1	Lock-off button	2	Switch trigger	3	Handle	4	Blade case
5	Blade	6	Blade guard	7	Sub-fence	8	Small sub-fence
9	Base	10	Turn base	11	Guide fence	12	Vertical vice
13	Dust bag	14	Dust nozzle	15	Center cover	-	-

► Fig.3

16	Lamp	17	Battery cartridge	18	Hex wrench	19	Release lever
20	Lever (for bevel angle adjustment)	21	Kerf board	22	Lower limit adjusting bolt	23	Lamp switch
24	Laser switch	-	-	-	-	-	-

INSTALLATION

Bench mounting

⚠ WARNING: Ensure that the tool does not move on the supporting surface. Movement of the miter saw on the supporting surface while cutting may result in loss of control and serious personal injury.

1. Fix the base to a level and stable surface, screwing with two bolts. This helps to prevent from tipping and possible injury.

► Fig.4: 1. Bolt

FUNCTIONAL DESCRIPTION

⚠ WARNING: Always be sure that the tool is switched off and the battery cartridge is removed before adjusting or checking the functions on the tool. Failure to switch off and remove the battery cartridge may result in serious personal injury from accidental start-up.

Installing or removing battery cartridge

⚠ CAUTION: Always switch off the tool before installing or removing of the battery cartridge.

⚠ CAUTION: Hold the tool and the battery cartridge firmly when installing or removing battery cartridge. Failure to hold the tool and the battery cartridge firmly may cause them to slip off your hands and result in damage to the tool and battery cartridge and a personal injury.

► **Fig.5:** 1. Red indicator 2. Button 3. Battery cartridge

To remove the battery cartridge, slide it from the tool while sliding the button on the front of the cartridge.

To install the battery cartridge, align the tongue on the battery cartridge with the groove in the housing and slip it into place. Insert it all the way until it locks in place with a little click. If you can see the red indicator on the upper side of the button, it is not locked completely.

⚠ CAUTION: Always install the battery cartridge fully until the red indicator cannot be seen. If not, it may accidentally fall out of the tool, causing injury to you or someone around you.

⚠ CAUTION: Do not install the battery cartridge forcibly. If the cartridge does not slide in easily, it is not being inserted correctly.

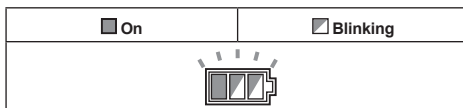
Tool / battery protection system

The tool is equipped with a tool/battery protection system. This system automatically cuts off power to the motor to extend tool and battery life. The tool will automatically stop during operation if the tool or battery is placed under one of the following conditions:

Overload protection

When the tool is operated in a manner that causes it to draw an abnormally high current, the tool automatically stops without any indication. In this situation, turn the tool off and stop the application that caused the tool to become overloaded. Then turn the tool on to restart.

Overheat protection



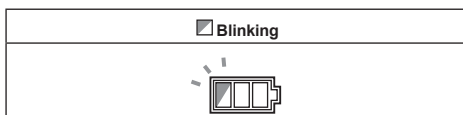
When the tool is overheated, the tool stops automatically, and the battery indicator blinks about 60 seconds. In this situation, let the tool cool down before turning the tool on again.

Overdischarge protection

When the battery capacity becomes low, the tool stops automatically. If the product does not operate even when the switches are operated, remove the batteries from the tool and charge the batteries.

Canceling lock by protection system

If the protection system is activated repeatedly, the tool is locked and the battery indicator blinks.










In this case, turn off the switch and remove the cause which is activating the protection system, and then turn on the switch again. If the tool does not work after turning on the switch again, remove the battery cartridge and charge it.

Indicating the remaining battery capacity

► **Fig.6:** 1. Battery indicator

When you pull the switch trigger, the battery indicator indicates the remaining battery capacity.

Battery indicator status			Remaining battery capacity
 On	 Off	 Blinking	
			50% to 100%
			20% to 50%
			0% to 20%
			Charge the battery

Indicating the remaining battery capacity

Only for battery cartridges with the indicator

► Fig.7: 1. Indicator lamps 2. Check button



Press the check button on the battery cartridge to indicate the remaining battery capacity. The indicator lamps light up for a few seconds.

Indicator lamps			Remaining capacity
Lighted	Off	Blinking	
■	□	▧	75% to 100%
■	■	■	
■	■	□	
■	■	□	
■	□	□	50% to 75%
■	□	□	25% to 50%
■	□	□	0% to 25%
▧	□	□	Charge the battery.
■	■	□	The battery may have malfunctioned.
□	□	■	

NOTE: Depending on the conditions of use and the ambient temperature, the indication may differ slightly from the actual capacity.

Automatic speed change function

► Fig.8: 1. Mode indicator

Mode indicator status	Operation mode
	High speed mode
	High torque mode

This tool has "high speed mode" and "high torque mode". It automatically changes operation mode depending on the work load. When mode indicator lights up during operation, the tool is in high torque mode.

Stopper pin

CAUTION: Always hold the handle when releasing the stopper pin. Otherwise the handle springs up and it may result in personal injury.

To release the stopper pin, keep applying a slight downward pressure on the handle and then pulling the stopper pin.

► Fig.9: 1. Stopper pin

Blade guard

WARNING: Never defeat or remove the blade guard or the spring which attaches to the guard. An exposed blade as a result of defeated guarding may result in serious personal injury during operation.

WARNING: Never use the tool if the blade guard or spring are damaged, faulty or removed. Operation of the tool with a damaged, faulty or removed guard may result in serious personal injury.

CAUTION: Always maintain the blade guard in good condition for safe operation. Stop the operation immediately if there are any irregularity of the blade guard. Check to assure spring loaded return action of guard.

► Fig.10: 1. Blade guard

When lowering the handle, the blade guard raises automatically. The guard is spring loaded so it returns to its original position when the cut is completed and the handle is raised.

Cleaning

► Fig.11: 1. Blade guard

If the transparent blade guard becomes dirty, or sawdust adheres to it in such a way that the blade and/or workpiece is no longer easily visible, remove the battery cartridge and clean the guard carefully with a damp cloth. Do not use solvents or any petroleum-based cleaners on the plastic guard because this may cause damage to the guard.

For cleaning, raise the blade guard by referring to "Installing or removing saw blade".

After cleaning, make sure to return the blade and center cover and tighten the hex socket bolt.

1. Make sure that the tool is switched off and the battery cartridges are removed.
2. Turn the hex socket bolt counterclockwise using the supplied hex wrench with holding the center cover.
3. Raise the blade guard and center cover.
4. When cleaning is complete, return the center cover and tighten the hex socket bolt by performing the steps above in reverse.

WARNING: Do not remove spring holding blade guard. If guard becomes damaged in course of time or UV light exposure, contact a Makita service center for replacement. **DO NOT DEFEAT OR REMOVE GUARD.**

Positioning kerf board

This tool is provided with the kerf boards in the turn base to minimize tearing on the exit side of a cut. The kerf boards are factory adjusted so that the saw blade does not contact the kerf boards. Before use, adjust the kerf boards as follows:

1. Make sure to remove the battery cartridge. Then, loosen all the screws (2 each on left and right) securing the kerf boards.

► Fig.12: 1. Kerf board 2. Screw

2. Re-tighten them only to the extent that the kerf boards can still be easily moved by hand.

3. Lower the handle fully and push in the stopper pin to lock the handle in the lowered position.

4. Adjust the kerf boards so that the kerf boards just contact the sides of the blade teeth.

► **Fig.13**

► **Fig.14:** 1. Saw blade 2. Blade teeth 3. Kerf board
4. Left bevel cut 5. Straight cut

5. Tighten the screws (do not tighten firmly).

6. After adjusting the kerf boards, release the stopper pin and raise the handle. Then tighten all the screws securely.

NOTICE: After setting the bevel angle ensure that the kerf boards are adjusted properly. Correct adjustment of the kerf boards helps to provide proper support of the workpiece and minimizing workpiece tear out.

Maintaining maximum cutting capacity

This tool is factory adjusted to provide the maximum cutting capacity for a 165 mm saw blade. When installing a new blade, always check the lower limit position of the blade, and if necessary, adjust it as follows:

1. Remove the battery cartridge. Lower the handle completely.

2. Use the hex wrench to turn the lower limit adjusting bolt until the saw blade comes slightly below the cross section of the guide fence and the top surface of the turn base.

► **Fig.15:** 1. Adjusting bolt

► **Fig.16:** 1. Guide fence

3. Rotate the blade by hand while holding the handle all the way down to be sure that the blade does not contact any part of the lower base. Re-adjust slightly, if necessary.

WARNING: After installing a new blade and with the battery cartridge removed, always be sure that the blade does not contact any part of the lower base when the handle is lowered completely. If a blade makes contact with the base it may cause kickback and result in serious personal injury.

► **Fig.17**

Sub-fence

Country specific

This tool is equipped with the sub-fence and small sub-fences.

Sub-fence

WARNING: Always remove sub-fence when performing bevel cuts. Failure to do so may cause serious injury.

► **Fig.18:** 1. Sub-fence

When performing cuts except for bevel cuts, use the sub-fence to support the workpiece.

Small sub-fence

CAUTION: When performing right bevel cuts, fold the small sub-fences. Otherwise, they may contact the blade or a part of the tool, and may result in serious injury to the operator.

► **Fig.19:** 1. Small sub-fence 2. Scale

When performing vertical cut or left bevel cut, flip them upward to support the workpiece. The guide fence has a scale of 10 mm interval.

Adjusting the miter angle

► **Fig.20:** 1. Fixing screw 2. Turn base 3. Miter scale
4. Pointer

1. Loosen the fixing screw counterclockwise.

2. Adjust the angle of the turn base. Use the pointer and the miter scale as a guide.

3. Tighten the fixing screw clockwise firmly.

CAUTION: After changing the miter angle, always secure the turn base by tightening the fixing screw firmly.

NOTICE: When turning the turn base, be sure to raise the handle fully.

Adjusting the bevel angle

To adjust the bevel angle, turn the lever at the rear of the tool downward.

► **Fig.21:** 1. Lever

To tilt the blade to the left, hold the handle and tilt the saw head. Use the bevel scale and the pointer as a guide. Then turn the lever upward firmly to secure the saw head.

► **Fig.22:** 1. Pointer 2. Bevel scale

To tilt the blade to the right, hold the handle and tilt the saw head to the left slightly, and push the release button. With the release button pressed, tilt the saw blade to the right. Turn the lever upward firmly to secure the saw head.

► **Fig.23:** 1. Release button

CAUTION: After changing the bevel angle, always secure the saw head by turning the lever upward firmly.

NOTICE: When tilting the saw blade, be sure the handle is fully raised.

NOTICE: When changing bevel angles, be sure to position the kerf boards appropriately as explained in the "Positioning kerf boards" section.

Setting 46° bevel angle

- Loosen the lever and tilt the blade to the left or right fully.
► **Fig.24:** 1. Lever
- To tilt the blade to the left, hold the handle and tilt the saw head to the right slightly, and then move the release lever to the direction of the arrow. The bevel angle can be adjusted between 45° to 46° by tilting the saw head while moving the release lever.
To tilt the blade to the right, hold the handle and tilt the saw head to the left slightly, and then move the release lever to the direction of the arrow. The bevel angle can be adjusted between 45° to 46° by tilting the saw head while moving the release lever.
► **Fig.25:** 1. Lever 2. Release lever
- Turn the lever upward firmly to secure the saw head.

Adjusting the lever position

If the lever does not provide full tightening in course of time, change the position of the lever. The lever can be repositioned at every 30° angle. Loosen and remove the screw that secures the lever. Remove the lever and install it again so that it points slightly above the horizontal. Then, tighten the lever with the screw firmly.
► **Fig.26:** 1. Lever 2. Screw

Switch action

⚠WARNING: Before installing the battery cartridge on the tool, always check to see that the switch trigger actuates properly and returns to the "OFF" position when released. Operating a tool with a switch that does not actuate properly can lead to loss of control and serious personal injury.

⚠WARNING: NEVER use tool without a fully operative switch trigger. Any tool with an inoperative switch is HIGHLY DANGEROUS and must be repaired before further usage or serious personal injury may occur.

⚠WARNING: For your safety, this tool is equipped with a lock-off button which prevents the tool from unintended starting. **NEVER use the tool if it runs when you simply pull the switch trigger without pressing the lock-off button.** A switch in need of repair may result in unintentional operation and serious personal injury. Return tool to a Makita service center for proper repairs BEFORE further usage.

⚠WARNING: NEVER defeat the lock-off button by taping down or some other means. A switch with a negated lock-off button may result in unintentional operation and serious personal injury.

NOTICE: Do not pull the switch trigger hard without pressing in the lock-off button. This can cause switch breakage.

To prevent the switch trigger from being accidentally pulled, a lock-off button is provided. To start the tool, press in the lock-off button and pull the switch trigger. Release the switch trigger to stop.

- **Fig.27:** 1. Lock-off button 2. Hole for padlock
3. Switch trigger

Lighting up the lamp

⚠CAUTION: This is not a rainproof light. Do not wash the light in water or use it in a rain or a wet area. Such a conduct can cause an electric shock and fume.

⚠CAUTION: Do not touch the lens of the light, as it is very hot while it is lighted or shortly after it is turned off. This may cause a burn to a human body.

⚠CAUTION: Do not apply impact to the light, which may cause damage or shortened service time to it.

⚠CAUTION: Do not keep casting the beam of the light to your eyes. This can cause your eyes to be hurt.

⚠CAUTION: Do not cover the light with clothes, carton, cardboard or similar objects while it is lighted, which can cause a fire or an ignition.

⚠CAUTION: Do not look in the light or see the source of light directly.

To turn on the lamp, press the upper position (I) of the switch. To turn off the lamp, press the lower position (O) of the switch.

- **Fig.28:** 1. Lamp 2. Lamp switch

NOTE: Use a dry cloth to wipe the dirt off the lens of the lamp. Be careful not to scratch the lens of lamp, or it may lower the illumination.

NOTE: Be sure to turn off the switch as turning on the switch consumes the battery power.

Laser beam action

⚠CAUTION: Never look into the laser beam. Direct laser beam may injure your eyes.

To turn on the laser beam, press the upper position (I) of the switch. To turn off the laser beam, press the lower position (O) of the switch.

- **Fig.29:** 1. Laser switch

NOTE: Be sure to turn off the switch as turning on the switch consumes the battery power.

Laser line can be shifted to either the left or right side of the saw blade by turning the adjusting screw as follows.

- **Fig.30:** 1. Adjusting screw

- Loosen the adjusting screw by turning it counterclockwise.
- With the adjusting screw loosened, slide the adjusting screw to the right or left as far as it goes.
- Tighten the adjusting screw firmly at the position where it stops sliding.

NOTE: Laser line is factory adjusted so that it is positioned within 1 mm from the side surface of the blade (cutting position).

NOTE: When laser line appears dim and hard to see because of direct sunlight, relocate the work area to a place where there is less direct sunlight.

Aligning the laser line

Align the cutting line on your workpiece with the laser line.

► Fig.31

- A) When you want to obtain the correct size on the left side of workpiece, shift the laser line to the left of the blade.
B) When you want to obtain the correct size on the right side of workpiece, shift the laser line to the right of the blade.

ASSEMBLY

⚠ WARNING: Always be sure that the tool is switched off and the battery cartridge is removed before working on the tool. Failure to switch off and remove the battery cartridge may result in serious personal injury.

Hex wrench storage

The hex wrench is stored as shown in the figure. When the hex wrench is needed it can be pulled out of the wrench holder.

After using the hex wrench it can be stored by returning it to the wrench holder.

- Fig.32: 1. Wrench holder 2. Hex wrench

Installing or removing saw blade

⚠ WARNING: Always be sure that the tool is switched off and the battery cartridge is removed before installing or removing the blade. Accidental start up of the tool may result in serious personal injury.

⚠ CAUTION: Use only the Makita hex wrench provided to install or remove the blade. Failure to do so may result in overtightening or insufficient tightening of the hex socket bolt. This could cause an injury.

To remove the blade, perform the following steps:

1. Release the stopper pin, and then lock the handle in the raised position by pushing in the stopper pin.

► Fig.33: 1. Stopper pin

2. Use the hex wrench to loosen the hex socket bolt holding the center cover by turning it counterclockwise. Then, raise the blade guard and center cover.

► Fig.34: 1. Center cover 2. Hex socket bolt 3. Hex wrench 4. Blade guard

3. Press the shaft lock to lock the spindle and use the hex wrench to loosen the hex socket bolt clockwise. Then remove the hex socket bolt of the spindle, outer flange and blade.

► Fig.35: 1. Shaft lock 2. Hex socket bolt 3. Outer flange

4. If the inner flange is removed, install it on the spindle with its blade mounting part facing the blade. If the flange is installed incorrectly the flange will rub against the machine.

► Fig.36: 1. Outer flange 2. Saw blade 3. Inner flange 4. Hex socket bolt (left-handed) 5. Spindle 6. Blade mounting part

To install the blade, perform the following steps:

1. Mount the blade carefully onto the inner flange. Make sure that the direction of the arrow on the blade matches the direction of the arrow on the blade case.

► Fig.37: 1. Saw blade 2. Arrow

2. Install the outer flange and hex socket bolt, and then use the hex wrench to tighten the hex socket bolt (left-handed) of the spindle securely counterclockwise while pressing the shaft lock.

3. Return the blade guard and center cover to its original position. Then tighten the hex socket bolt of the center cover clockwise to secure the center cover.

4. Release the handle from the raised position by pulling the stopper pin. Lower the handle to make sure that the blade guard moves properly.

5. Make sure the shaft lock has released spindle before making cut.

For tool with the inner flange for 15.88 mm hole-diameter saw blade

Country specific

Mount the inner flange with its recessed side facing outward onto the mounting shaft and then place saw blade (with the ring attached if needed), outer flange and hex bolt.

For tool without the ring

► Fig.38: 1. Outer flange 2. Saw blade 3. Inner flange 4. Hex socket bolt (left-handed) 5. Spindle

For tool with the ring

► Fig.39: 1. Outer flange 2. Saw blade 3. Inner flange 4. Hex socket bolt (left-handed) 5. Ring 6. Spindle

⚠ WARNING: If the ring is needed to mount the blade onto the spindle, always be sure that the correct ring for the blade's arbor hole you intend to use is installed between the inner and the outer flanges. Use of the incorrect arbor hole ring may result in the improper mounting of the blade causing blade movement and severe vibration resulting in possible loss of control during operation and in serious personal injury.

For tool with the inner flange for other than 20 mm or 15.88 mm hole-diameter saw blade

Country specific

The inner flange has a certain diameter of a blade mounting part on one side of it and a different diameter of blade mounting part on the other side. Choose a correct side on which blade mounting part fits into the saw blade hole perfectly.

► Fig.40: 1. Outer flange 2. Saw blade 3. Inner flange 4. Hex socket bolt (left-handed) 5. Spindle 6. Blade mounting part

⚠ CAUTION: Make sure that the blade mounting part "a" on the inner flange that is positioned outside fits into the saw blade hole "a" perfectly. Mounting the blade on the wrong side can result in the dangerous vibration.

Dust bag

The use of the dust bag makes cutting operations cleaner and dust collection easier.

To attach the dust bag, fit it onto the dust nozzle. When the dust bag is about half full, remove the dust bag from the tool and pull the fastener out. Empty the dust bag of its contents, tapping it lightly so as to remove particles adhering to the insides which might hamper further collection.

► **Fig.41:** 1. Dust bag 2. Dust nozzle 3. Fastener

NOTE: If you connect a vacuum cleaner to your saw, cleaner operations can be performed.

► **Fig.42**

Securing workpiece

⚠ WARNING: It is extremely important to always secure the workpiece correctly with the vise.

Failure to do so may result in serious personal injury and cause damage to the tool and/or the workpiece.

⚠ WARNING: When cutting a workpiece that is longer than the support base of the saw, the material should be supported the entire length beyond the support base and at the same height to keep the material level.

Proper workpiece support will help avoid blade pinch and possible kickback which may result in serious personal injury. Do not rely solely on the vertical vise and/or horizontal vise to secure the workpiece. Thin material tends to sag. Support workpiece over its entire length to avoid blade pinch and possible KICKBACK.

► **Fig.43:** 1. Support 2. Turn base

Vertical vise

⚠ WARNING: Secure the workpiece firmly against the turn base and guide fence with the vise during all operations. Otherwise the material may move during the cutting operation, cause damage to the blade, and be thrown which may result in loss of control and serious personal injury.

Install the vertical vise on either the left or right side of the guide fence. Insert the vise rod into the hole in the guide fence and tighten the lower screw to secure the vise rod.

► **Fig.44:** 1. Vise arm 2. Vise knob 3. Guide fence
4. Turn base 5. Lower screw 6. Upper screw
7. Vise rod

Position the vise arm according to the thickness and shape of the workpiece and secure the vise arm by tightening the upper screw. If the upper screw contacts the guide fence, install the upper screw on the opposite side of vise arm. Make sure that no part of the tool contacts the vise when lowering the handle fully. If some part contacts the vise, re-position the vise. Press the workpiece flat against the guide fence and the turn base. Position the workpiece at the desired cutting position and secure it firmly by tightening the vise knob.

Attaching the shoulder strap

Optional accessory

⚠ CAUTION: Be sure to remove the shoulder strap before operating the tool. The shoulder strap may be entangled and cause injury.

⚠ CAUTION: Be sure to attach the hooks of the shoulder strap to the tool securely. If the hooks are attached incompletely, they may come off and cause injury.

The shoulder strap is convenient for transporting the tool. Attach the hooks of the shoulder strap to the tool as shown in the figure.

► **Fig.45:** 1. Shoulder strap 2. Hook

OPERATION

⚠ WARNING: Make sure the blade is not contacting the workpiece, etc. before the switch is turned on. Turning the tool on with the blade in contact with the workpiece may result in kickback and serious personal injury.

⚠ WARNING: After a cutting operation, do not raise the blade until it has come to a complete stop. The raising of a coasting blade may result in serious personal injury and damage to the workpiece.

NOTICE: Before use, be sure to release the handle from the lowered position by pulling the stopper pin.

NOTICE: Do not apply excessive pressure on the handle when cutting. Too much force may result in overload of the motor and/or decreased cutting efficiency. Press down handle with only as much force as necessary for smooth cutting and without significant decrease in blade speed.

NOTICE: Gently press down the handle to perform the cut. If the handle is pressed down with force or if lateral force is applied, the blade may vibrate and leave a mark (saw mark) in the workpiece and the precision of the cut may be impaired.

Press cutting (cutting small workpieces)

► **Fig.46**

Workpieces up to 46 mm high and 92 mm wide can be cut in the following manner.

1. Secure the workpiece with the vise.
2. Switch on the tool without the blade making any contact and wait until the blade attains full speed before lowering.
3. Gently lower the handle to the fully lowered position to cut the workpiece.
4. When the cut is completed, switch off the tool and wait until the blade has come to a complete stop before returning the blade to its fully elevated position.

Miter cutting

Refer to the previously covered "Adjusting the miter angle".

Bevel cut

⚠WARNING: After setting the blade for a bevel cut, before operating the tool ensure that the saw head and blade will have free travel throughout the entire range of the intended cut. Interruption of the saw head or blade travel during the cutting operation may result in kickback and serious personal injury.

⚠WARNING: While making a bevel cut keep hands out of the path of the blade. The angle of the blade may confuse the operator as to the actual blade path while cutting and contact with the blade will result in serious personal injury

⚠WARNING: The blade should not be raised until it has come to a complete stop. During a bevel cut the piece cut off may come to rest against the blade. If the blade is raised while it is rotating the cut-off piece maybe ejected by the blade causing the material to fragment which may result in serious personal injury.

⚠WARNING: Always remove sub-fence when performing bevel cuts. Failure to do so may cause serious injury.

► Fig.47

1. Loosen the lever and tilt the saw blade to set the bevel angle (Refer to the previously covered "Adjusting the bevel angle"). Be sure to retighten the lever firmly to secure the selected bevel angle safely.
2. Secure the workpiece with the vise.
3. Switch on the tool without the blade making any contact and wait until the blade attains full speed.
4. Gently lower the handle to the fully lowered position while applying pressure in parallel with the blade to cut the workpiece.
5. When the cut is completed, switch off the tool and wait until the blade has come to a complete stop before returning the blade to its fully elevated position.

NOTICE: When pressing down the handle, apply pressure in parallel with the blade. If a force is applied perpendicularly to the turn base or if the pressure direction is changed during a cut, the precision of the cut will be impaired.

Compound cutting

Compound cutting is the process in which a bevel angle is made at the same time in which a miter angle is being cut on a workpiece. Compound cutting can be performed at the angle shown in the table.

Miter angle	Bevel angle
Left and right 45°	Left and right 0° - 45°
Right 52°	Left 20° - Right 45°
Left 52°	Left 45° - Right 20°

When performing compound cutting, refer to "Press cutting", "Miter cutting" and "Bevel cut" explanations.

Cutting aluminum extrusion

- Fig.48: 1. Vise 2. Spacer block 3. Guide fence
4. Aluminum extrusion 5. Spacer block

When securing aluminum extrusions, use spacer blocks or pieces of scrap as shown in the figure to prevent deformation of the aluminum. Use a cutting lubricant when cutting the aluminum extrusion to prevent build-up of the aluminum material on the blade.

⚠CAUTION: Never attempt to cut thick or round aluminum extrusions. Thick aluminum extrusions may come loose during operation and round aluminum extrusions cannot be secured firmly with this tool.

Cutting repetitive lengths

When cutting several pieces of stock to the same length, ranging from 200 mm to 330 mm, use the set plate (optional accessory). Install the set plate on the holder (optional accessory) as shown in the figure.

- Fig.49: 1. Set plate 2. Holder 3. Screw

Align the cutting line on your workpiece with either the left or right side of the groove in the kerf board, and while holding the workpiece, move the set plate flush against the end of the workpiece. Then secure the set plate with the screw.

When the set plate is not used, loosen the screw and turn the set plate out of the way.

Carrying tool

⚠WARNING: Stopper pin is only for carrying and storage purposes and should never be used for any cutting operations. The use of the stopper pin for cutting operations may cause unexpected movement of the saw blade resulting in kickback and serious personal injury.

⚠CAUTION: Always secure all moving portions before carrying the tool. If portions of the tool move while being carried loss of control or balance may occur resulting in personal injury.

1. Remove the battery cartridge.
2. Secure the blade at 0° bevel angle and the turn base at the full right miter angle position.

- Fig.50: 1. Turn base

3. Lower the handle fully and lock it in the lowered position by pushing in the stopper pin.

4. Carry the tool by holding the handle.

- Fig.51

MAINTENANCE

⚠ WARNING: Always be sure that the blade is sharp and clean for the best and safest performance. Attempting a cut with a dull and /or dirty blade may cause kickback and result in a serious personal injury.

⚠ CAUTION: Always be sure that the tool is switched off and the battery cartridge is removed before attempting to perform inspection or maintenance.

NOTICE: Never use gasoline, benzene, thinner, alcohol or the like. Discoloration, deformation or cracks may result.

To maintain product SAFETY and RELIABILITY, repairs, any other maintenance or adjustment should be performed by Makita Authorized or Factory Service Centers, always using Makita replacement parts.

Adjusting the cutting angle

This tool is carefully adjusted and aligned at the factory, but rough handling may have affected the alignment. If your tool is not aligned properly, perform the following:

Miter angle

1. Loosen the fixing screw counterclockwise.
2. Rotate the turn base until the pointer indicates 0° on the miter scale.
▶ **Fig.52:** 1. Fixing screw 2. Turn base 3. Miter scale 4. Pointer
3. Rotate the turn base slightly clockwise and counterclockwise to seat the turn base in the 0° miter notch. (Leave as it is if the pointer does not indicate 0°.)
4. Loosen the hex socket bolt securing the guide fence using the hex wrench.
▶ **Fig.53:** 1. Guide fence 2. Hex socket bolt
▶ **Fig.54:** 1. Guide fence 2. Hex socket bolt
5. Lower the handle fully and lock it in the lowered position by pushing in the stopper pin.
6. Adjust the guide fence until it makes a perpendicular angle with the blade using a triangular rule, try-square, etc. Then securely tighten the hex socket bolt on the guide fence.
▶ **Fig.55:** 1. Guide fence 2. Triangular rule 3. Saw blade
7. Make sure that the pointer indicates 0° on the miter scale. If the pointer does not indicate 0°, loosen the screw which secures the pointer and adjust the pointer so that it indicates 0°.
▶ **Fig.56:** 1. Screw 2. Miter scale 3. Pointer

Bevel angle

0° bevel angle

1. Lower the handle fully and lock it in the lowered position by pushing in the stopper pin.
2. Loosen the lever at the rear of the tool.
3. Turn the 0° bevel angle adjusting bolt on the right side of the saw head two or three revolutions counterclockwise to tilt the blade to the right.
▶ **Fig.57:** 1. Adjusting bolt 2. Lever
4. Turn the 0° bevel angle adjusting bolt clockwise carefully until the side of the blade makes a perpendicular angle with the top surface of the turn base. Use the triangular rule, try-square, etc. as a guide. Then tighten the lever securely.
▶ **Fig.58:** 1. Triangular rule 2. Saw blade 3. Top surface of turn table
5. Make sure that the pointer on the arm indicates 0° on the bevel scale. If it does not indicate 0°, loosen the screw which secures the pointer and adjust the pointer so that it indicates 0°.
▶ **Fig.59:** 1. Screw 2. Pointer 3. Bevel scale

45° bevel angle

Adjust the 45° bevel angle only after performing 0° bevel angle adjustment.

1. Loosen the lever and tilt the blade to the left fully.
2. Make sure that the pointer on the arm indicates 45° on the bevel scale. If the pointer does not indicate 45°, turn the left 45° bevel angle adjusting bolt on the right side of the arm until the pointer indicates 45°.
▶ **Fig.60:** 1. Right 45° bevel angle adjusting bolt 2. Pointer 3. Left 45° bevel angle adjusting bolt
3. Tilt the blade to the right fully, and then adjust the right 45° bevel angle using the right 45° bevel angle adjusting bolt.
▶ **Fig.61:** 1. Saw blade 2. Triangular rule

Adjusting the laser line position

⚠ WARNING: The battery cartridge must be installed on the tool while adjusting the laser line. Take extra care not to switch on the tool during adjustment. Accidental start up of the tool may result in serious personal injury.

⚠ CAUTION: Never look directly into the laser beam. Direct eye exposure to the beam could cause serious damage to your eyes.

NOTICE: Check the position of laser line regularly for accuracy.

NOTICE: Beware that impacts to the tool. It may cause the laser line to be misaligned or may cause damage to the laser, shortening its life.

NOTICE: Have the tool repaired by a Makita authorized service center for any failure on the laser unit.

The movable range of laser line is decided by the range adjustment screws on both sides. Perform following procedures to alter the laser line position.

1. Remove the battery cartridge.
2. Draw a cutting line on the workpiece and place it on the turn base. At this time, do not secure the workpiece with a vise or similar securing device.
3. Lower the handle and align the cutting line with the saw blade.
▶ **Fig.62:** 1. Cutting line
4. Return the handle to the original position and secure the workpiece with the vertical vise so that the workpiece does not move from the position you have determined.
▶ **Fig.63:** 1. Vise
5. Install the battery cartridge to the tool and turn on the laser switch.
6. Loosen the adjusting screw. To move the laser line away from the blade, turn the range adjustment screws counterclockwise. To move the laser line close to the blade, turn the range adjustment screw clockwise.

Adjusting the laser line on the left side of the blade

- ▶ **Fig.64:** 1. Adjusting screw 2. Range adjustment screw 3. Hex wrench 4. Laser line 5. Saw blade

Adjusting the laser line on the right side of the blade

- ▶ **Fig.65:** 1. Range adjustment screw 2. Hex wrench 3. Laser line 4. Saw blade

7. Slide the adjusting screw to the position that the laser line comes onto the cutting line and then tighten.

NOTE: The movable range of laser line is factory adjusted within 1 mm from the side surface of blade.

Cleaning the laser light lens

The laser light becomes hard to see as the lens for the laser light gets dirty. Clean the lens for laser light periodically.

Remove the battery cartridge. Loosen the screw and pull out the lens. Clean the lens gently with a damp soft cloth.

- ▶ **Fig.66:** 1. Screw

- ▶ **Fig.67:** 1. Lens

NOTICE: Do not remove the screw which secures the lens. If the lens does not come out, loosen the screw further.

NOTICE: Do not use solvents or any petroleum-based cleaners on the lens.

After use

After use, wipe off chips and dust adhering to the tool with a cloth or the like. Keep the blade guard clean according to the directions in the previously covered section titled "Blade guard". Lubricate the sliding portions with machine oil to prevent rust.

OPTIONAL ACCESSORIES

⚠WARNING: These Makita accessories or attachments are recommended for use with your Makita tool specified in this manual. The use of any other accessories or attachments may result in serious personal injury.

⚠WARNING: Only use the Makita accessory or attachment for its stated purpose. Misuse of an accessory or attachment may result in serious personal injury.

If you need any assistance for more details regarding these accessories, ask your local Makita Service Center.

- Carbide-tipped saw blades
- Holder rod assembly
- Set plate
- Shoulder strap
- Makita genuine battery and charger

NOTE: Some items in the list may be included in the tool package as standard accessories. They may differ from country to country.

SPECIFIKATIONER

Modell:	DL5600
Bladdiameter	165 mm
Håldiameter (axel)	20 mm
Max. geringsvinkel	Vänster 52°, Höger 52°
Max. för vinkelsågning	Vänster 45° (46° vid användning av frigröringsspaken), Höger 45° (46° vid användning av frigröringsspaken)
Hastighet utan belastning	5 000 min ⁻¹
Lasertyp	Röd laser 650 nm, max uteffekt < 1,6 mW (laserklass 2M)
Dimensioner (L x B x H)	340 mm x 400 mm x 440 mm
Märkspänning	18 V likström
Standardbatterikassett	BL1815N / BL1820 / BL1820B / BL1830 / BL1830B / BL1840 / BL1840B / BL1850 / BL1850B / BL1860B
Laddare	DC18RC / DC18RD / DC18SD / DC18SE / DC18SF
Nettovikt	6,3 - 6,6 kg






Max sågkapacitet (H x B) med en sågklinga på 165 mm i diameter

Geringsvinkel	Vinkel för vinkelsågning		
	45° (vänster)	0°	45° (höger)
0°	30 mm x 92 mm	46 mm x 92 mm	15 mm x 92 mm
45° (vänster och höger)	30 mm x 65 mm	46 mm x 65 mm	15 mm x 65 mm

- På grund av vårt pågående program för forskning och utveckling kan dessa specifikationer ändras utan föregående meddelande.
- Specifikationer och batterikassett kan variera mellan olika länder.
- Vikten kan variera beroende på tillbehören, inklusive batterikassett. Den lättaste och den tyngsta kombinationen enligt EPTA-procedur 01/2014 visas i tabellen.

Symboler

Följande visar symbolerna som används för utrustningen. Se till att du förstår innebörden innan du använder bormaskinen.

	Läs igenom bruksanvisningen.
	För att undvika skador från flygande materialrester, fortsätt att hålla ned såghuvudet efter att du har sågat färdigt, tills bladet har stannat helt.
	Håll inte handen eller fingrarna i närheten av sågbladet.
	Titta aldrig in i laserstrålen. Laserstrålen kan skada dina ögon.
	Gäller endast inom EU Elektrisk utrustning eller batteripaket får inte kastas i hushållsavfallet! Enligt EU-direktiven som avser förbrukad elektrisk och elektronisk utrustning, batterier, ackumulatörer, förbrukade batterier och ackumulatörer, samt direktivens tillämpning enligt nationell lagstiftning, ska uttjänt elektrisk utrustning, batterier och batteripaket sorteras separat och lämnas till miljövänlig återvinning.

Avsedd användning

Maskinen är avsedd för exakt rak sågning och gerings-sågning i trä.
Använd inte sågen till annat än för sågning av trä, aluminium eller liknande material.

Buller

Den normala bullernivån för A-belastning är bestämd enligt EN62841:
Ljudtrycksnivå (L_{pA}) : 90 dB (A)
Ljudeffektivnivå (L_{WA}) : 97 dB (A)
Måttolerans (K): 3 dB (A)

⚠ VARNING: Använd hörselskydd.

Vibration

Det totala vibrationsvärdet (treaxlad vektorsumma) bestämt enligt EN62841:
Vibrationsemission (a_h) : 2,5 m/s² eller lägre
Måttolerans (K): 1,5 m/s²

OBS: Det deklarerade vibrationsemissionsvärdet har uppmätts i enlighet med standardtestmetoden och kan användas för att jämföra en maskin med en annan.

OBS: Det deklarerade vibrationsemissionsvärdet kan också användas i en preliminär bedömning av exponering för vibration.

⚠ VARNING: Vibrationsemissionen under faktisk användning av maskinen kan skilja sig från det deklarerade emissionsvärdet, beroende på hur maskinen används.

⚠ VARNING: Var noga med att identifiera säkerhetsåtgärder för att skydda användaren, vilka är grundade på en uppskattning av graden av exponering för vibrationer under de faktiska användningsförhållandena, (ta, förutom avtryckartiden, med alla delar av användarcykeln i beräkningen, som till exempel tiden då maskinen är avstängd och när den går på tomgång).

EG-försäkran om överensstämmelse

Gäller endast inom EU

EG-försäkran om överensstämmelse inkluderas som bilaga A till denna bruksanvisning.

SÄKERHETSVARNINGAR

Allmänna säkerhetsvarningar för maskiner

⚠ VARNING: Läs alla säkerhetsvarningar, anvisningar, illustrationer och specifikationer som medföljer det här maskinen. Underlåtenhet att följa instruktionerna kan leda till elstötar, brand och/eller allvarliga personskador.

Spara alla varningar och instruktioner för framtida referens.

Termen "maskin" som anges i varningarna hänvisar till din eldrivna maskin (sladdansluten) eller batteridrivna maskin (sladdlös).

Säkerhetsinstruktioner för geringssågar

1. Geringssågar är avsedda för att såga i trä eller träliknande material. De får inte användas med kapskivor för att kapa stål som stänger, armningsjärn, nitar etc. Abrasivt damm gör så att rörliga delar som det nedre skyddets fastnar. Gnistor från abrasivt kapande kommer att bränna det nedre skyddet, skärinsatsen och andra plastdelar.
2. Använd klämmor när det är möjligt för att stödja arbetsstycket. Om du håller arbetsstycket med händerna måste du alltid dem minst 100 mm från sågklingan. Använd inte denna såg för att såga ut bitar som är för små för att kunna klämmas fast ordentligt eller hållas säkert för hand. Om din hand är placerad för nära sågklingan finns det en ökad risk för skada från kontakt med klingan.
3. Arbetsstycket måste vara stationärt och fastklämt eller hållas mot både anhållet och bordet. Mata inte in arbetsstycket i klingan eller kapa på "fri hand" på något sätt. Lösa eller rörliga arbetsstycken kan slungas ut med hög hastighet och orsaka skada.
4. För aldrig händerna över den avsedda kaplinjen, varken framför eller bakom sågklingan. Att stödja arbetsstycket "korsvis" t.ex. genom att hålla arbetsstycket på höger sida med din vänstra hand eller vice versa är väldigt farligt.
► Fig.1
5. Sträck inte in händerna bakom anhållet närmre än 100 mm på vardera sidan av sågklingan, varken för att ta bort trärester eller för några andra orsaker när klingan snurrar. Närheten från den roterande sågklingan och din hand kanske inte är uppenbar och du kan skada dig allvarligt.
6. Inspektera arbetsstycket innan kapning. Om arbetsstycket är böjt eller vridet, spänns fast det med den böjda sidan mot anhållet. Se alltid till att det inte finns något mellanrum mellan arbetsstycket, anhållet och bordet utmed såglinjen. Böjda eller vrängda arbetsstycken kan vrida sig eller flyttas och göra så att den roterande sågklingan fastnar när du kapar. Det får inte finnas spikar eller främmande föremål i arbetsstycket.
7. Använd inte sågen innan bordet är fritt från alla verktyg, träbitar mm., förutom arbetsstycket. Små föremål eller lösa träbitar eller andra föremål som kommer i kontakt med den roterande klingan kan slungas iväg med hög hastighet.
8. Kapa endast ett arbetsstycke i taget. Flera arbetsstycken staplade på varandra kan inte klämmas fast/stöttas ordentligt och kan göra så att klingan fastnar eller flyttas vid kapning.
9. Se till att geringssågen är monterad eller placerad på en plan, stabil arbetsyta innan användning. En plan och stabil arbetsyta minskar risken för att girsågen blir ostabil.
10. Planera ditt arbete. Varje gång du ändrar inställning på vinkeln eller geringssågen, se till att det justerbara anhållet är ordentligt inställt för att stödja arbetsstycket och inte stör med klingan eller skyddssystemet. Utan att ställa verktyget i läge "PA" och utan arbetsstycke på bordet, förflytta sågklingan en komplett simulerad kapning för att säkerställa att inte anhållet stör eller risk föreligger att du säger i det.
11. Applicera tillräckligt med stöd, som bordsförlängning, sågbock etc. för arbetsstycken som är längre eller bredare än bordskivan. Arbetsstycken som är längre eller bredare än geringssågens bord kan välta om de inte stöds ordentligt. Om den kapade delen eller arbetsstycket välter kan de lyfta det nedre skyddet eller slungas ut av den roterande klingan.
12. Använd inte en annan person som ersättning för en bordsförlängning eller som extra stöd. Ostabil stöd för arbetsstycket kan göra så att klingan fastnar eller så att arbetsstycket flyttas vid kapning, vilket kan dra både dig och den assisterande personen in i den roterande klingan.
13. Den kapade delen får inte fastna eller tryckas mot den roterande sågklingan på något sätt. Om den begränsas, t.ex. med längdstopp, kan den kapade delen fastna mot klingan och slungas kraftigt.

14. Använd alltid en klämma eller skruvting avsedd att korrekkt stödja runda material som stänger eller rör. Stänger har en tendens att rulla när de kapas vilket får bladet att "bita" och dra arbetsstycket med din hand in i klingan.
15. Låt klingan uppnå full hastighet innan den kommer i kontakt med arbetsstycket. Detta minskar risken för att arbetsstycket slungas iväg.
16. Om arbetsstycket eller klingan fastnar, stäng av geringssågen. Vänta tills alla rörliga delar stannat och koppla från kontakten från strömkällan och/eller ta bort batteripaketet. Därefter kan du avlägsna det material som har fastnat. Att festsätta såga med ett arbetsstycke som har fastnat kan leda till förlust av kontroll eller skada på geringssågen.
17. När du har kapat färdigt, släpp knappen, håll nere såghuvudet och vänta tills klingan har stannat innan du tar bort den kapade delen. Att sträcka in handen nära den roterande klingan är farligt.
18. Håll handtaget stadigt när du gör ett ofullständigt kap eller när du släpper knappen innan såghuvudet är hela vägen nere. Sågens bromsfunktion kan leda till att såghuvudet plötsligt dras nedåt och orsaka skada.
19. Använd endast sågklingor med den diameter som finns markerad på verktyget eller angiven i bruksanvisningen. Om en klinga med fel storlek används kan det påverka klingans skydd eller skyddets funktion, vilket kan leda till allvarlig personskada.
20. Använd endast sågblad som är märkta med ett maximalt varvtalet som är lika med eller högre än varvtalet som är märkt på maskinen.
21. Använd inte sågen till annat än för sågning av trä, aluminium eller liknande material.
22. (endast för länder i Europa)
Använd alltid blad som överensstämmer med EN847-1.
9. Använd endast flänsar som är avsedda för den här maskinen.
10. Var försiktig så att inte axeln, flänsarna (särskilt monteringsytan) eller bulten skadas. Skador på någon av dessa delar kan medföra att bladet förstörs.
11. Se till att bordet är ordentligt fäst, så att det inte rör sig under arbetet. Använd hälen i basen för att fästa sågen i en stabil arbetsplattform eller bänk. Använd ALDRIG maskinen om du måste stå i en obehövlig position.
12. Se till att spindelläset är öppet innan strömbrytaren slås på.
13. Kontrollera att bladet inte vidrör bordet i dess lägsta position.
14. Håll stadigt i handtaget. Var uppmärksam på att sågen rör sig något upp och ned under start och stopp.
15. Se till att bladet inte är i kontakt med arbetsstycket innan du trycker på avtryckaren.
16. Låt verktyget vara igång en stund innan det används på arbetsstycket. Kontrollera att bladet inte vibrerar eller skakar vilket kan innebära att det är felaktigt monterat eller dåligt balanserat.
17. Stanna maskinen omedelbart om du lägger märke till något onormalt.
18. Försök inte att låsa avtryckaren i läge "PÅ".
19. Använd alltid de tillbehör som rekommenderas i denna bruksanvisning. Opassande tillbehör som till exempel slipprydder kan orsaka skada om de används.
20. Vissa material kan innehålla giftiga kemikalier. Se till att du inte andas in dammet eller får något på huden. Följ anvisningarna i leverantörens materialsäkerhetsblad.

Ytterligare instruktioner

1. Barnsäkra arbetsplatsen med hängglås.
2. Stå aldrig på maskinen. Allvarlig skada kan uppstå om maskinen välter eller om du oavsiktligt kommer i kontakt med skärverktyget.
3. Lämna aldrig maskinen oövervakad när den är igång. Bryt strömmen. Lämna inte maskinen förrän den har stannat helt.
4. Använd inte sågen om inte skydden är på plats. Kontrollera att klingskyddet är stängt före varje sågning. Använd inte sågen om klingskyddet kärvar och inte stängs omedelbart. Kila aldrig fast klingskyddet i öppet läge.
5. Håll händerna borta från sågklingans väg. Undvik kontakt med roterande sågklingor. De kan fortfarande orsaka allvarliga skador.
6. Fäst alltid alla rörliga delar innan du bär maskinen.
7. Läs pinnen som läser såghuvudet på plats är endast avsedd att användas vid förvaring eller transport och inte för sågning.
8. Kontrollera före användning att knivarna inte är spruckna eller skadade. Byt omedelbart ut en skadad eller sprucken kniv. Gummi- och trärester på klingan hindrar sågningen och ökar risken för bakåtkast. Ta bort klingan från sågen och gör rent den med ett borttagningsmedel för gummi- och trärester, varmt vatten och fotogen. Använd aldrig bensin för att göra rent klingan.

Ytterligare säkerhetsanvisningar för lasern

1. LASERSTRÅLNING, TITTA INTE DIREKT IN I STRÅLEN ELLER ANVÄND OPTISKA INSTRUMENT, KLASS 2M LASERPRODUKT.

SPARA DESSA ANVISNINGAR.

⚠️WARNING: GLÖM INTE att också fortsättningsvis strikt följa säkerhetsanvisningarna för maskinen även efter att du blivit van att använda den. Vid FELAKTIG HANTERING av maskinen eller om inte säkerhetsanvisningarna i denna bruksanvisning följs kan följden bli allvarliga personskador.

Viktiga säkerhetsanvisningar för batterikassetten

1. Innan batterikassetten används ska alla instruktioner och varningsmärken på (1) batteriladdaren, (2) batteriet och (3) produkten läsas.
2. Montera inte isär batterikassetten.
3. Om drifttiden blivit avsevärt kortare ska användningen avbrytas omedelbart. Det kan uppstå överhettning, brännskador och t o m en explosion.
4. Om du får elektrolyt i ögonen ska de sköljas med rent vatten och läkare uppsökas omedelbart. Det finns risk för att synen förloras.

5. **Kortslut inte batterikassetten.**
 - (1) Rör inte vid polerna med något strömförande material.
 - (2) Undvik att förvara batterikassetten tillsammans med andra metallobjekt som t.ex. spikar, mynt o.s.v.
 - (3) Skydda batteriet mot vatten och regn. En batterikortslutning kan orsaka ett stort strömlöflöde, överhettning, brand och maskinhaveri.
6. Förvara inte maskinen och batterikassetten på platser där temperaturen kan nå eller överstiga 50 °C.
7. Bränn inte upp batterikassetten även om den är svårt skadad eller helt utsliten. Batterikassetten kan explodera i öppen eld.
8. Var försiktig så att du inte råkar tappa batteriet och utsätt det inte för stötar.
9. Använd inte ett skadat batteri.
10. De medföljande litiumjonbatterierna är föremål för kraven i gällande lagstiftning för farligt gods. För kommersiella transporter (av t.ex. tredje parter som speditönsfirmor) måste de särskilda transportkrav som anges på emballaget och etiketter iakttas. För att förbereda den produkt som ska avsändas krävs att du konsulterar en expert på riskmaterial. Var också uppmärksam på att det i ditt land kan finnas ytterligare föreskrifter att följa. Tejpa över eller maskera blottade kontakter och packa batteriet på sådant sätt att det inte kan röra sig fritt i förpackningen.

11. Följ lokala föreskrifter beträffande avfallshandtering av batteriet.

SPARA DESSA ANVISNINGAR.

⚠ FÖRSIKTIGT: Använda endast äkta Makita-batterier. Användning av oäkta Makita-batterier eller batterier som har manipulerats kan leda till person- och utrustningsskador eller till att batteriet fattar eld. Det upphäver också Makitas garanti för verktyget och laddaren.

Tips för att uppnå batteriets maximala livslängd

1. Ladda batterikassetten innan den är helt urladdad. Stanna alltid maskinen och ladda batterikassetten när du märker att maskinen blir svagare.
2. Ladda aldrig en fulladdad batterikassett. Överladdning förkortar batteriets livslängd.
3. Ladda batterikassetten vid en rumstemperatur på 10 °C - 40 °C. Låt en varm batterikassett svalna innan den laddas.
4. Ladda batterikassetten om du inte har använt den på länge (mer än sex månader).

BESKRIVNING AV DELAR

► Fig.2

1	Säkerhetsknapp	2	Avtryckare	3	Handtag	4	Klinghölje
5	Klinga	6	Klingskydd	7	Stödanhåll	8	Litet stödanhåll
9	Bottenplatta	10	Geringsskiva	11	Anhåll	12	Vertikal tving
13	Dampmpåse	14	Dammunstycke	15	Mitthölje	-	-

► Fig.3

16	Lampa	17	Batterikassett	18	Insexnyckel	19	Frigöringsspak
20	Spak (för justering av geringsvinkel)	21	Spårbädd	22	Inställningsbult nedre gräns	23	Lampknapp
24	Laserbrytare	-	-	-	-	-	-

INSTALLATION

Bänkmontage

⚠ VARNING: Se till att maskinen inte kan röra sig på stödytan. Om geringssågen rör sig på stödytan medan du sågar kan det leda till att du tappar kontrollen över maskinen och att allvarlig personskada uppstår.

1. Fäst basen på en jämn och stabil yta, med hjälp av två bultar. Detta förhindrar att maskinen välter och orsakar skada.

► Fig.4: 1. Bult

FUNKTIONSBESKRIVNING

⚠ VARNING: Se alltid till att maskinen är avstängd och att batterikassetten är borttagen innan du justerar eller kontrollerar funktionerna på maskinen. Om du inte stänger av maskinen och tar bort batterikassetten kan maskinen oavsiktligt starta, vilket kan leda till allvarig personskada.

Montera eller demontera batterikassetten

⚠ FÖRSIKTIGT: Stäng alltid av maskinen innan du monterar eller tar bort batterikassetten.

⚠ FÖRSIKTIGT: Håll stadigt i maskinen och batterikassetten när du monterar eller tar bort batterikassetten. I annat fall kan det leda till att de glider ur dina händer och orsakar skada på maskinen och batterikassetten samt personskada.

► **Fig.5:** 1. Röd indikator 2. Knapp 3. Batterikassett

Ta bort batterikassetten genom att skjuta ner knappen på kassetten framsida samtidigt som du drar ut batterikassetten.

Sätt i batterikassetten genom att rikta in tungan på batterikassetten mot spåret i höljet och skjut den på plats. Tryck in batterikassetten ordentligt tills den låser fast med ett klick. Om du kan se den röda indikatorn på knappens ovansida är den inte låst ordentligt.

⚠ FÖRSIKTIGT: Sätt alltid i batterikassetten helt tills den röda indikatorn inte längre syns.

I annat fall kan den oväntat falla ur maskinen och skada dig eller någon annan.

⚠ FÖRSIKTIGT: Montera inte batterikassetten med våld. Om kassetten inte lätt glider på plats är den felinsatt.

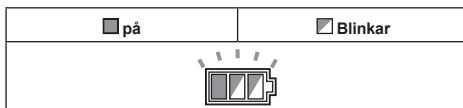
Skyddssystem för maskinen/ batteriet

Verktyget är utrustat med ett skyddssystem för verktyget/batteriet. Detta system bryter automatiskt strömmen till motorn för att förlänga verktygets och batteriets livslängd. Verktyget stoppar automatiskt under användningen om verktyget eller batteriet hamnar i en av följande situationer:

Överbelastningskydd

Om maskinen används på ett sätt som gör att den drar onormalt mycket ström kan den stoppas automatiskt utan någon varning. När detta sker stänger du av maskinen och upphör med arbetet som gjorde att maskinen överbelastades. Starta därefter upp maskinen igen.

Överhettningsskydd



När maskinen blir överhettad stannar den av automatiskt och batteriindikatorn blinkar i cirka 60 sekunder. Låt maskinen svalna innan du startar den igen.

Överurladdningskydd

När batteriets kapacitet är låg stoppar maskinen automatiskt. Om produkten inte fungerar trots att knapparna fungerar som de ska tar du bort batterierna från maskinen och laddar dem.

Avbryta låsning av skyddssystem

Om skyddssystemet aktiveras flera gånger låses maskinen och batteriindikatorn blinkar.







Om så är fallet, stäng av brytaren och avlägsna orsaken som aktiverade skyddssystemet och koppla därefter till brytaren igen. Om maskinen inte fungerar när du kopplar till brytaren igen, ta bort batterikassetten från maskinen och ladda den.

Indikerar kvarvarande batterikapacitet

► **Fig.6:** 1. Batteriindikator

Om du trycker in avtryckaren visar batteriindikatorn kvarvarande batterikapacitet.

Batteriindikatorstatus			Kvarvarande batterikapacitet
<input checked="" type="checkbox"/> På	<input type="checkbox"/> Av	<input checked="" type="checkbox"/> Blinkar	
			50 % till 100 %
			20 % till 50 %
			0 % till 20 %
			Ladda batteriet

Indikerar kvarvarande batterikapacitet

Endast för batterikassetter med indikator

► Fig.7: 1. Indikatorlampor 2. Kontrollknapp



Tryck på kontrollknappen på batterikassetten för att se kvarvarande batterikapacitet. Indikatorlamporna lyser i ett par sekunder.

Indikatorlampor			Kvarvarande kapacitet
Upplyst	Av	Blikrar	
■	□	▬	75% till 100%
■	■	■	
■	■	□	
■	■	□	
■	□	□	50% till 75%
■	□	□	25% till 50%
■	□	□	0% till 25%
▬	□	□	Ladda batteriet.
■	■	□	Batteriet kan ha skadats.
□	□	■	

OBS: Beroende på användningsförhållanden och den omgivande temperaturen kan indikationen skilja sig lätt från den faktiska batterikapaciteten.

Funktion för automatisk ändring av hastighet

► Fig.8: 1. Lägesindikator

Lägesindikatorstatus	Driftläge
	Höghastighetsläge
	Läge för högt vridmoment

Maskinen har ett höghastighetsläge och ett läge för högt vridmoment. Den ändrar automatiskt driftläge beroende på arbetsbelastningen. När lägesindikatorn tänds under drift är maskinen i läget för högt vridmoment.

Låstapp

⚠ FÖRSIKTIGT: Håll alltid i handtaget när du lossar på låstappen. Annars fjädrar handtaget upp vilket kan leda till personskada.

Ta bort låstappen genom att lätt tryck nedåt på handtaget samtidigt som du drar ut låstappen.

► Fig.9: 1. Låstapp

Klingskydd

⚠ VARNING: Blockera aldrig eller avlägsna klingskyddet eller den fjäder som är fäst på skyddet. I annat fall kan det leda till allvarlig personskada under användningen.

⚠ VARNING: Använd aldrig maskinen om klingskyddet eller fjädern är skadad, inte fungerar korrekt eller är borttagen. I annat fall kan det leda till allvarlig personskada.

⚠ FÖRSIKTIGT: Håll alltid klingskyddet i ett bra skick för säker användning. Avbryt arbete omedelbart om klingskyddet inte fungerar som det ska. Kontrollera även att fjädern gör att klingskyddet går tillbaka.

► Fig.10: 1. Klingskydd

När handtaget sänks ned, höjs klingskyddet automatiskt. Klingskyddet är försett med en fjäder så att det går tillbaka till ursprungsläget när sågningen är avslutad och handtaget höjs.

Rengöring

► Fig.11: 1. Klingskydd

Om det genomsnittliga klingskyddet blir smutsigt, eller om sågspån fastnar på det så att klingan och/eller arbetsstycket inte längre syns bra, måste batterikassetten tas bort och skyddet rengöras noga med en fuktig trasa. Använd inte lösningsmedel eller petroleumbaseerade rengöringsmedel då det skadar plasten i skyddet. Rengör genom att lyfta på klingskyddet, se "Montering eller demontering av sågklinga". Se till att sätta tillbaka bladet och mitthöljet efter rengöring och dra åt insexbulten.

1. Säkerställ att maskinen är avstängd samt att batterikassetten har avlägsnats.
2. Vrid insexbulten som håller fast mitthöljet moturs med hjälp av den medföljande insexnyckeln.
3. Lyft på klingskyddet och mitthöljet.
4. När du har rengjort färdigt sätter du tillbaka mitthöljet och drar åt insexbulten genom att utföra ovanstående steg i omvänd ordning.

⚠ VARNING: Ta inte bort det fjäderupphängda klingskyddet. Om klingskyddet blir skadat p.g.a. UV-ljus eller genom slitage kontaktar du ett Makita servicecenter för att få ett nytt klingskydd. **KLINGSKYDDET FÅR ALDRIG BLOCKERAS ELLER TAS BORT.**

Inställning av spårbädd

Denna maskin är utrustad med spårbädden infälld i geringskivan, för att göra slitaget vid utgången av sågningen så minimalt som möjligt. Spårbädden är fabriksinställd så att sågklingan inte kommer i kontakt med den. Ställ in spårbädden på följande sätt före användning:

1. Var noga med att ta ut batterikassetten. Lossa sedan alla skruvarna (2 skruvar vardera på vänster och höger sida) som håller fast spårbäddarna.

► Fig.12: 1. Spårbädd 2. Skruv

2. Dra endast åt dem så pass att spårbäddarna fortfarande lätt kan flyttas för hand.
3. Sänk ner handtaget helt och skjut in låstappen för att fästa handtaget i det nedsänkta läget.
4. Justera spårbäddarna så att de precis vidrör sidorna på sågklingans tänder.
 - Fig.13
- Fig.14: 1. Sågklinga 2. Bladtänder 3. Spårbädd 4. Vänster vinkelsåg 5. Rak vinkelsåg
5. Dra åt skruvarna (dra inte åt hårt).
6. Dra ur låstappen och lyft handtaget efter att spårbäddarna justerats. Dra sedan åt alla skruvar ordentligt.

OBSERVERA: Försäkra dig om att spårbäddarna är korrekt justerade efter att du ställt in vinkeln för vinkelsågning. Korrekt justering av spårbäddarna ger ordentligt stöd för arbetsstycket och minimerar risken för att arbetsstycket nöts sönder.

Upprätthållande av maximal sågkapacitet

Denna maskin är fabriksinställd för maximal skärkapacitet för en 165 mm sågklinga.

När en ny klinga monteras måste klingans lägsta position alltid kontrolleras, och om det är nödvändigt justera den enligt följande:

1. Ta bort batterikassetten. Sänk handtaget så långt det går.
2. Använd insexnyckeln för att vrida på inställningsbultens nedre gräns tills sågbladet hamnar något nedanför anhållets tvärsektion och geringsskivans övre yta.
 - Fig.15: 1. Inställningsbult
 - Fig.16: 1. Anhåll

3. Snurra på klingan för hand medan handtaget hålls ner fullständigt, och kontrollera att klingan inte kommer i kontakt med någon del av undre basplattan. Finjustera inställningen vid behov.

⚠ VARNING: Efter monteringen av en ny klinga och med batterikassetten borttagen måste du alltid kontrollera att klingan inte går emot någon del av den undre basplattan när handtaget sänks ner helt. I annat fall kan det orsaka bakåtkast och resultera i allvarlig personskada.

- Fig.17

Stödanhåll

Landsspecifik

Denna maskin är utrustad med ett stödanhåll och ett litet stödanhåll.

Stödanhåll

⚠ VARNING: Ta alltid bort stödanhållet vid vinkelsågning. Om du gör detta kan det orsaka allvarlig personskada.

- Fig.18: 1. Stödanhåll

Använd stödanhållet för att stödja arbetsstycket, förutom vid vinkelsågning.

Litet stödanhåll

⚠ FÖRSIKTIGT: Fäll ner det lilla stödanhållet vid högerställd vinkelsågning. Annars kan stödanhållet komma i kontakt med klingan eller någon del av maskinen, vilket kan leda till allvarliga skador på användaren.

- Fig.19: 1. Litet stödanhåll 2. Skala

Vid vertikal sågning eller vänsterställd vinkelsågning, vänd dem uppåt för att stödja arbetsstycket. Anhållet har en skala på 10 mm intervall.

Justering av geringsvinkel

- Fig.20: 1. Fixerskruv 2. Geringsskiva 3. Geringsskala 4. Pekare

1. Lossa fixerskraven moturs.
2. Justera geringsskivans vinkel. Använd pekaren och geringsskalan som vägvisning.
3. Dra åt fixerskraven ordentligt medurs.

⚠ FÖRSIKTIGT: Fäst alltid geringsskivan genom att dra åt fixerskraven ordentligt efter ändringen av geringsvinkeln.

OBSERVERA: Lyft handtaget maximalt när geringsskivan vrids.

Justering av vinkeln vid vinkelsågning

För att ändra vinkeln för vinkelsågning, vrid spärren på maskinens baksida nedåt.

- Fig.21: 1. Spak

För att luta klingan åt vänster håller du ner handtaget och lutar såghuvudet. Använd geringsskalan och pekaren som vägvisning. Vrid sedan spärren uppåt ordentligt för att fästa såghuvudet.

- Fig.22: 1. Pekare 2. Vinkelskala

För att luta klingan åt höger håller du ner handtaget och lutar såghuvudet lätt åt vänster, och trycker sedan ner frigöringsknappen. Luta sedan sågklingan åt höger medan låsknappen är intryckt. Vrid spärren uppåt ordentligt för att fästa såghuvudet.

- Fig.23: 1. Frigöringsknapp

⚠ FÖRSIKTIGT: Fäst alltid såghuvudet genom att vrida upp spärren ordentligt efter ändringen av vinkeln för vinkelsågning.

OBSERVERA: Lyft handtaget maximalt när sågklingan lutas.

OBSERVERA: Vid ändring av vinkeln för vinkelsågning måste spårbädden ställas in ordentligt såsom beskrivits i avsnittet "Inställning av spårbäddar".

Ställa in 46° vinkel för vinkelsågning

- Lossa på spärren och luta klingan helt till vänster eller höger.
► **Fig.24:** 1. Spärr
- För att luta klingan åt vänster håller du ner handtaget och lutar såghuvudet lätt åt höger, och för sedan frigöringsspaken i pilens riktning. Vinkeln för vinkelsågning kan justeras mellan 45° till 46° genom att luta såghuvudet när du aktiverar frigöringsspaken.
För att luta klingan åt höger håller du ner handtaget och lutar såghuvudet lätt åt vänster, och för sedan frigöringsspaken i pilens riktning. Vinkeln för vinkelsågning kan justeras mellan 45° till 46° genom att luta såghuvudet när du aktiverar frigöringsspaken.
► **Fig.25:** 1. Spärr 2. Frigöringsspak
- Vrid spärren uppåt ordentligt för att fästa såghuvudet.

Inställning av spakens läge

Om spaken med tiden inte drar åt ordentligt ändrar du spakens position. Spaken kan omplaceras vid varje 30°-vinkel. Lossa och ta bort skruven som fäster spaken. Ta bort spaken och montera den på nytt så att den pekar lätt ovanför horisontalplanet. Fäst sedan spaken med skruven ordentligt.
► **Fig.26:** 1. Spak 2. Skruv

Avtryckarens funktion

⚠ VARNING: Innan du sätter i batterikassetten i maskinen ska du alltid kontrollera att avtryckaren fungerar och återgår till läget "OFF" när du släpper den. Om du använder en maskin med ett en avtryckare som inte aktiveras korrekt kan det leda till förlorad kontroll och allvarlig personskada.

⚠ VARNING: Använd ALDRIG maskinen om inte avtryckaren fungerar korrekt. Att använda maskinen när inte avtryckaren fungerar är MYCKET FARLIGT. Reparera den före fortsatt användning eftersom det annars kan orsaka allvarlig personskada.

⚠ VARNING: Denna maskin är utrustad med en säkerhetsknapp som förhindrar oavsiktlig start. Använd ALDRIG maskinen om den startar när du trycker på avtryckaren utan att ha tryckt in säkerhetsknappen. I annat fall kan det orsaka oavsiktlig aktivering och allvarlig personskada. Returnera maskinen till ett MAKITA servicecenter för reparation INNAN du fortsätter att använda den.

⚠ VARNING: Blockera ALDRIG säkerhetsknappen genom att tejpa fast den eller på andra sätt. I annat fall kan det orsaka oavsiktlig aktivering och allvarlig personskada.

OBSERVERA: Tryck inte in avtryckaren hårt utan att ha tryckt in säkerhetsknappen. Det kan skada avtryckaren.

En startspärr förhindrar oavsiktlig aktivering av avtryckaren. Tryck in säkerhetsspärren och tryck därefter in avtryckaren för att starta maskinen. Släpp avtryckaren för att stoppa maskinen.
► **Fig.27:** 1. Startspärr 2. Hål för hänggläs
3. Avtryckare

Tända lampan

⚠ FÖRSIKTIGT: Lampan är inte vattentät. Den får inte tvättas i vatten, eller användas i regn eller på våta platser. Det kan leda till elektriska stötar och rökutveckling.

⚠ FÖRSIKTIGT: Vidrör inte lampans lins eftersom den är mycket varm så länge lampan lyser och en stund efter det att den har släckts. Detta kan orsaka brännskador.

⚠ FÖRSIKTIGT: Utsätt inte lampan för slag eftersom det kan orsaka skador på lampan eller förkorta dess livslängd.

⚠ FÖRSIKTIGT: Lys inte mot ögonen. Det kan orsaka synskador.

⚠ FÖRSIKTIGT: Täck inte för lampan med tyg, tjocka papper, kartong eller liknande material så länge den lyser. Det kan leda till antändning och eldsvåda.

⚠ FÖRSIKTIGT: Titta inte in i ljuset eller direkt i ljuskällan.

Tänd lampan genom att trycka upp till (I) på brytaren. Tryck ner till (O) på brytaren för att stänga av lampan.
► **Fig.28:** 1. Lampa 2. Lampknapp

OBS: Använd en torr trasa för att torka bort smuts från lampglaset. Var försiktig så att inte lampglaset repas eftersom ljuset då kan bli svagare.

OBS: Se till att stänga av med brytaren eftersom det annars förbrukar batteri.

Laserstrålens funktion

⚠ FÖRSIKTIGT: Titta aldrig in i laserstrålen. Laserstrålen kan skada dina ögon.

Sätt på lasern genom att trycka upp till (I) på brytaren. Tryck ner till (O) på brytaren för att stänga av lasern.
► **Fig.29:** 1. Laserbrytare

OBS: Se till att stänga av med brytaren eftersom det annars förbrukar batteri.

Laserlinjen kan flyttas antingen till vänster eller till höger om sågklingan genom att justera inställningsskruven på följande sätt.
► **Fig.30:** 1. Inställningsskruv

- Lossa inställningsskruven genom att skruva upp den moturs.
- Medan inställningsskruven är lös skjuter du inställningsskruven till höger eller vänster så långt som möjligt.
- Drä åt inställningsskruven ordentligt i det läge där den inte kan skjutas längre.

OBS: Laserlinsen är fabriksinställd så att den ligger inom 1 mm från sågklingans sida (sågposition).

OBS: När laserlinjen verkar oklar och är svår att se på grund av direkt solljus ska du byta till en mer skuggig arbetsplats.

Inriktning av laserlinje

Rikta in såglinjen i arbetsstycket längs laserlinjen.

► Fig.31

- A) När du vill erhålla korrekt storlek på vänster sida av arbetsstycket, växla laserlinjen till vänster sida av klingan.
B) När du vill erhålla korrekt storlek på höger sida av arbetsstycket, växla laserlinjen till höger sida av klingan.

MONTERING

⚠ VARNING: Se alltid till att maskinen är avstängd och att batterikassetten är borttagen innan du utför arbete på maskinen. I annat fall kan det orsaka allvarlig personskada.

Förvaring av insexnyckel

Insexnyckeln förvaras på det sätt som framgår av bilden. När insexnyckeln behöver användas kan den dras ut ur dess hållare.
Efter användningen kan du förvara insexnyckeln i dess hållare igen.

► Fig.32: 1. Nyckelhållare 2. Insexnyckel

Montering eller borttagning av sågblad

⚠ VARNING: Se alltid till att maskinen är avstängd och att batterikassetten är borttagen innan du monterar eller tar bort sågklingan. Oavsiktlig start av maskinen kan leda till allvarlig personskada.

⚠ FÖRSIKTIGT: Använd endast medföljande insexnyckel från Makita för att montera eller demontera klingan. Annars kan det leda till att sexkantsbulten dras åt för hårt eller för löst. Detta kan leda till personskada.

Ta bort sågklingan genom att utföra följande:

1. Lossa låstappen och läs handtaget i det uppfällda läget genom att skjuta in låstappen.

► Fig.33: 1. Låstapp

2. Använd sedan hylsnyckeln för att lossa på insexbulten som håller mitthöljet på plats genom att vrida den moturs. Lyft på klingskyddet och mitthöljet.

► Fig.34: 1. Mitthölje 2. Insexbult 3. Insexnyckel
4. Klingskydd

3. Tryck på spindellåset för att låsa spindel och använd insexnyckeln för att lossa på insexbulten genom att vrida den medurs. Ta sedan bort insexbulten från spindel, den yttre flänsen och klingan.

► Fig.35: 1. Spindellås 2. Insexbult 3. Yttre fläns

4. Om den inre flänsen tas bort, montera den på spindel med dess bladmonteringsdel vänd mot klingan. Om flänsen inte monteras korrekt kommer den att skava mot maskinen.

► Fig.36: 1. Yttre fläns 2. Sågklinga 3. Innerfläns
4. Insexbult (vänstergångad) 5. Spindel
6. Bladmonteringsdel

Montera sågklingan genom att utföra följande:

1. Montera bladet försiktigt på innerflänsen. När sågklingan monteras är det viktigt att se till att pilens riktning på klingans yta stämmer överens med pilens riktning på klingans kåpa.

► Fig.37: 1. Sågklinga 2. Pil

2. Montera den yttre flänsen och insexbulten, och använd sedan insexnyckeln för att dra åt insexbulten (vänstergångad) ordentligt moturs medan du håller in spindellåset.

3. Sätt tillbaka klingskyddet och mitthöljet i dess ursprungliga läge. Dra sedan åt insexbulten medurs för att fästa mitthöljet.

4. Släpp handtaget från upplyft läge genom att dra ut låstappen. Sänk ner handtaget för att försäkra dig om att klingskyddet fungerar som det ska.

5. Kontrollera att spindellåset inte längre låser fast spindel innan du börjar såga.

För maskin med en inre fläns som är avsedd för ett sågblad med en 15,88 mm håldiameter

Landsspecifik

Montera den inre flänsen med dess försänkta sida riktad utåt på monteringsaxeln och sätt sedan sågbladet (med insatsringen monterad om så krävs), den yttre flänsen och sexkantsbulten på plats.

För verktyg utan insatsring

► Fig.38: 1. Yttre fläns 2. Sågklinga 3. Innerfläns
4. Insexbult (vänstergångad) 5. Spindel

För verktyg med insatsring

► Fig.39: 1. Yttre fläns 2. Sågklinga 3. Inre fläns
4. Insexbult (vänstergångad) 5. Ring
6. Spindel

⚠ VARNING: Om insatsringen behövs för att montera klingan på spindel ska du alltid se till att korrekt insatsring för axelhålet på den klinga du ska använda monteras mellan den inre och den yttre flänsen. Att använda fel insatsring för axelhålet kan leda till felaktig monterning av klingan, vilket orsakar förflyttning av klingan och ger allvarliga vibrationer. Detta kan leda till att du förlorar kontrollen under användning, vilket kan orsaka allvarliga personskador.

För maskin med en inre fläns som är avsedd för sågblad med en annan än 20 mm eller 15,88 mm håldiameter

Landsspecifik

Den inre flänsen har en bladmonteringsdel med en viss diameter på ena sidan av den och en annan bladmonteringsdel med en viss diameter på den andra sidan. Välj den korrekta sidan där bladmonteringsdelen passar in perfekt i hålet i sågbladet.

► Fig.40: 1. Yttre fläns 2. Sågklinga 3. Innerfläns
4. Insexbult (vänstergångad) 5. Spindel
6. Bladmonteringsdel

⚠ FÖRSIKTIGT: Se till att bladmonteringsdelen "a" på den inre flänsen som är placerad utåt passar in perfekt i hål "a" i sågbladet. Att montera sågbladet på fel sida kan resultera i farliga vibrationer.

Damppåse

Användning av damppåsen ger ett renare sågarbete och förenklar uppsamlingen av damm.

Anslut damppåsen på munstycket för dammkast. Ta bort damppåsen från maskinen när den är cirka halvfull och dra ut plastlåset. Töm dammsugarpåsen på dess innehåll och knacka på den lätt för att ta bort partiklar som har fastnat på insidan, vilka kan hindra fortsatt uppsamling.

► **Fig.41:** 1. Damppåse 2. Dammunstycke 3. Plastlås

OBS: Du kan få renare under arbetet om du ansluter en dammsugare till sågen.

► **Fig.42**

Fastsättning av arbetsstycke

⚠ VARNING: Det är ytterst viktigt att alltid fästa arbetsstycket korrekt med en tving. I annat fall kan det leda till allvarlig personskada och orsaka skada på maskinen och/eller arbetsstycket.

⚠ VARNING: När du sågar ett arbetsstycke som är längre än sågens stödyta ska hela arbetsstycket stödjas, även den del som befinner sig utanför sågens stödyta, samt på samma höjd för att vara i nivå. Detta för att undvika att klingan nyper fast och ett eventuellt bakåtkast vilket kan leda till allvarlig personskada. Lita inte helt på att en vertikal och/eller horisontal tving ensam kan hålla fast arbetsstycket. Tunna material kan tyngas ner. Stötta hela arbetsstyckets längd för att undvika att klingan nyper fast och eventuellt orsakar ett BAKÅTKAST.

► **Fig.43:** 1. Stöd 2. Geringsskiva

Vertikal tving

⚠ VARNING: Fäst arbetsstycket ordentligt mot geringsskivan och anhållet med tvingen under all drift. Annars kan materialet röra sig under sågning, orsaka skador på sågklingan och kastas iväg, vilket kan leda till förlorad kontroll och allvarliga personskador.

Montera den vertikala tvingen på antingen vänster eller höger sida om anhållet. Sätt i tvingens fäststav i hålet på anhållet och dra åt den nedre skruven för att fästa tvingens fäststav.

► **Fig.44:** 1. Tvingarm 2. Tvingens ratt 3. Anhåll 4. Geringsskiva 5. Nedre skruv 6. Övre skruv 7. Tvingens fäststav

Sätt tvingarmen i läge så att den passar till arbetsstyckets tjocklek och form och fäst den sedan genom att dra åt låsskruven. Om den övre skruven kommer i kontakt med anhållet, måste den övre skruven monteras på den andra sidan av tvingarmen. Se till att ingen del av maskinen kommer i kontakt med tvingen när maskinhandtaget sänks till sin lägsta position. Om någon del kommer i kontakt med tvingen monterar du om den. Tryck arbetsstycket plant mot anhållet och geringsskivan. Placera arbetsstycket i önskat sågläge och fäst det stadigt genom att dra åt tvingens ratt.

Fastsättning av axelrem

Extra tillbehör

⚠ FÖRSIKTIGT: Se till att ta bort axelremmen innan maskinen används. Axelremmen kan trassla in sig och orsaka skada.

⚠ FÖRSIKTIGT: Se till att fästa axelremmens krokor ordentligt på maskinen. Om inte krokarna är ordentligt fastsatt kan de lossa och orsaka skada.

Axelremmen är behändig för att transportera maskinen. Fäst axelremmens krokor på maskinen enligt bilden.

► **Fig.45:** 1. Axelband 2. Krok

ANVÄNDNING

⚠ VARNING: Kontrollera att inte klingan är i kontakt med arbetsstycket eller något annat innan sågen sätts på. I annat fall kan det leda till bakåtkast och allvarlig personskada.

⚠ VARNING: Lyft aldrig klingan förrän den har stannat helt efter sågningen. I annat fall kan det leda till allvarlig personskada och skada på arbetsstycket.

OBSERVERA: Se till att lösgöra handtaget från dess nedsänkta läge genom att dra ut låstappen.

OBSERVERA: Tryck inte för mycket på handtaget vid kapningen. Detta kan leda till att motorn överbelastas och/eller försämrad sågning. Tryck endast ner handtaget så mycket som behövs för att sågningen ska löpa smidigt utan att sågklingans hastighet minskar signifikant.

OBSERVERA: Tryck försiktigt ner handtaget för att såga. Om handtaget trycks ner hårt eller i sidled kommer klingan att vibrera vilket ger sågmärken i arbetsstycket samtidigt som sågprecisionen försämras.

Sågning genom tryck (sågning av små arbetsstycken)

► **Fig.46**

Arbetsstycken som är upp till 46 mm höga och 92 mm breda kan sågas på följande sätt.

1. Fäst arbetsstycket med tvingen.
2. Starta maskinen utan att klingan har kontakt med arbetsstycket och vänta tills klingan har uppnått full hastighet innan du sänker den.
3. Sänk sedan handtaget försiktigt tills det har sänkts helt, för att såga arbetsstycket.
4. Stäng av maskinen när sågningen är avslutad och vänta tills klingan har stannat helt, innan klingan återförs till sitt helt uppfällda läge.

Geringssågning

Se avsnittet "Inställning av geringsvinkeln" som förklarats tidigare.

Vinkelsågning

⚠ VARNING: Efter inställning av klingan för vinkelsågning och innan du börjar arbeta med maskinen, ska du se till att såghuvudet och klingan har fri väg genom hela skäret. Såghuvuds- eller klingavbrott under sågningen kan orsaka bakåtkast och allvarlig personskada.

⚠ VARNING: Håll händerna borta från klingans såglinje när du utför en vinkelsågning. Klingans vinkel och den verkliga såglinjen kan förvirra användaren under sågningen och kontakt med klingan orsakar allvarlig personskada.

⚠ VARNING: Klingan ska aldrig lyftas förrän den har stannat helt. Under vinkelsågning kan det avsågade stycket ligga kvar mot klingan. Om klingan lyfts upp medan den roterar kan det avsågade stycket kastas ut av klingan och orsaka att material fragmenteras vilket kan resultera i allvarlig personskada.

⚠ VARNING: Ta alltid bort stödhållet vid vinkelsågning. Om du gör detta kan det orsaka allvarlig personskada.

► Fig.47

1. Lossa spaken och luta sågklingan till den önskade vinkeln (se avsnittet "Inställning av vinkeln för vinkelsågning" som beskrivits tidigare). Se till att spaken dras åt ordentligt för att fästa sågen säkert i den valda vinkeln.
2. Fäst arbetsstycket med en tving.
3. Starta maskinen utan att klingan vidrör arbetsstycket och vänta tills klingan uppnår full hastighet.
4. Sänk handtaget försiktigt till dess helt nedsänkta läge medan tryck anläggs parallellt med klingan för att såga i arbetsstycket.
5. Stäng av maskinen när sågningen är avslutad och vänta tills klingan har stannat helt, innan klingan återförs till sitt helt uppfälda läge.

OBSERVERA: När du trycker ner handtaget ska du trycka i samma riktning som klingan lutar. Om tryck appliceras vinkelrätt mot geringsskivan eller om tryckets riktning ändras under pågående sågning minskar precisionen i sågningen.

Kombinationssågning

Kombinationssågning är en process där vinkelsågning utförs i kombination med att en geringsvinkel sågas i ett arbetsstycke. Kombinationssågning kan utföras vid vinkel som visas i tabellen nedan.

Geringsvinkel	Vinkel för vinkelsågning
Vänster och höger 45°	Vänster och höger 0° - 45°
Höger 52°	Vänster 20° - Höger 45°
Vänster 52°	Vänster 45° - Höger 20°

Se avsnittet "Sågning genom tryck", "Geringssågning" och "Vinkelsågning" när du vill utföra kombinationssågning.

Sågning av aluminiumstycken

- **Fig.48:** 1. Tving 2. Distanskloss 3. Anhåll 4. Aluminiumstycke 5. Distanskloss

Använd klossar eller träbitar när ett aluminiumstycke skall fästas, såsom visas i figuren, för att förhindra att aluminiumstycket deformeras. Använd sågolja vid sågningen i aluminium, för att förhindra att aluminiummaterialet fastnar och lagras på klingan.

⚠ FÖRSIKTIGT: Försök aldrig såga tjocka eller runda aluminiumstycken. Tjocka aluminiumstycken kan lossna under pågående sågarbete och runda aluminiumstycken kan inte fästas ordentligt med denna maskin.

Upprepad sågning av samma längder

Använd fixeringsplattan (valfritt tillbehör) vid sågning av flera stycken i samma längd inom ett storleksområde på mellan 200 mm till 330 mm. Montera fixeringsplattan på hållaren (valfritt tillbehör) enligt figuren.

- **Fig.49:** 1. Fixeringsplatta 2. Hållare 3. Skruv

Rikta in såglinjen på arbetsstycket antingen till vänster eller till höger om spåret i spårbådden, och medan arbetsstycket hålls fast i läget, justera fixeringsplattan så att den ligger an mot arbetsstyckets ände. Skruva sedan fast fixeringsplattan.

När den inte används lossar du skruven och vrider undan fixeringsplattan så att den inte är i vägen.

Bära maskinen

⚠ VARNING: Låstappen används endast när maskinen ska transporteras och förvaras. Aldrig under sågarbeten. Att använda låstappen vid sågarbeten kan leda till oavsiktlig rörelse av sågklingan vilket orsakar bakåtkast och allvarlig personskada.

⚠ FÖRSIKTIGT: Fäst alltid alla rörliga delar innan du bär maskinen. Om delar av maskinen rör sig medan du bär den kan du förlora kontrollen eller balansen över maskinen vilket kan leda till personskada.

1. Ta bort batterikassetten.
2. Fäst klingan vid 0° vinkel för vinkelsågning och vrid geringsskivan helt mot höger geringsvinkel.

- **Fig.50:** 1. Geringsskiva

3. Sänk ned handtaget helt och lås det i nedsänkt läge genom att skjuta in låstappen.

4. Bär maskinen i dess handtag.

- **Fig.51**

UNDERHÅLL

⚠ VARNING: Se alltid till att klingan är vass och ren för att få ett så bra och säkert resultat som möjligt. Att försöka såga med en slö och/eller smutsig klinga kan orsaka bakåtkast och resultera i allvarlig personskada.

⚠ FÖRSIKTIGT: Se alltid till att maskinen är avstängd och batterikassetten borttagen innan inspektion eller underhåll utförs.

OBSERVERA: Använd inte bensin, förtunningsmedel, alkohol eller liknande. Missfärgning, deformation eller sprickor kan uppstå.

För att upprätthålla produktens SÄKERHET och TILLFÖRLITLIGHET bör allt underhålls- och justeringsarbete utföras av ett auktoriserat Makita servicecenter och med reservdelar från Makita.

Inställning av sågvinkeln

Maskinen är noga inställd och inriktad på fabriken, men ovarsam hantering kan påverka detta. Om maskinen inte är korrekt riktad gör du på följande sätt:

Geringsvinkel

1. Lossa fixerskruvén moturs.
2. Vrid geringssskivan tills pekaren indikerar 0° på geringssskalan.
▶ Fig.52: 1. Fixerskruv 2. Geringssskiva 3. Geringssskala 4. Pekare
3. Vrid sedan geringssskivan en aning medurs och moturs för att sätta geringssskivan i hacket för 0° geringsvinkel. (Lämna det som det är om pekaren inte indikerar 0°.)
4. Lossa insexbulten som fäster anhållet med insexnyckeln.
▶ Fig.53: 1. Anhåll 2. Insexbult
▶ Fig.54: 1. Anhåll 2. Insexbult
5. Sänk ned handtaget helt och lås det i nedsänkt läge genom att skjuta in låstappen.
6. Justera klingans sida och anhållets framsida i rätt vinkel med en vinkelhake, vinkellinjal etc. Dra sedan åt insexbulten på anhållet ordentligt.
▶ Fig.55: 1. Anhåll 2. Vinkelhake 3. Sågklinga
7. Kontrollera att pekaren indikerar 0° på geringssskalan. Om pekaren inte pekar på 0° lossar du skruven som fäster pekaren och justerar pekaren så att den indikerar 0°.
▶ Fig.56: 1. Skruv 2. Geringssskala 3. Pekare

Vinkel för vinkelsågning

0° vinkel för vinkelsågning

1. Sänk ned handtaget helt och lås det i nedsänkt läge genom att skjuta in låstappen.
2. Lossa spaken på maskinens baksida.
3. Vrid inställningsbulten för 0° vinkel för vinkelsågning på såghuvudets högra sida två eller tre varv moturs för att luta klingan till höger.
▶ Fig.57: 1. Inställningsbult 2. Spår
4. Vrid inställningsbulten för 0°-vinkel för vinkelsågning försiktigt moturs tills sidan av klingan är i en vinkelrät vinkel med övre ytan av geringssskivan. Använd vinkelhaken, vinkellinjalen etc. som vägvisning. Dra sedan åt spaken ordentligt.
▶ Fig.58: 1. Vinkelhake 2. Sågklinga 3. Geringssskivans övre yta
5. Kontrollera att pekaren på armen indikerar 0° på vinkelskalan. Om pekaren inte pekar på 0° lossar du skruven som fäster pekaren och justerar pekaren så att den indikerar 0°.
▶ Fig.59: 1. Skruv 2. Pekare 3. Vinkelskala

45° vinkel för vinkelsågning

Justera 45°-vinkeln för vinkelsågning först efter att ha justerat 0°-vinkeln för vinkelsågning.

1. Lossa på spaken och luta klingan helt till vänster.
2. Kontrollera att pekaren på armen indikerar 45° på vinkelskalan. Vrid vänster inställningsbult för 45° vinkel för vinkelsågning på armens högra sida, om pekaren inte indikerar 45°, tills den indikerar 45°.
▶ Fig.60: 1. Höger inställningsbult för 45°-vinkel för vinkelsågning 2. Pekare 3. Inställningsbult för 45° vinkel för vinkelsågning
3. Luta klingan helt åt höger och justera sedan den högra 45° vinkel för vinkelsågning med den högra inställningsbulten för 45° vinkel för vinkelsågning.
▶ Fig.61: 1. Sågklinga 2. Vinkelhake

Inställning av laserlinjens läge

⚠ VARNING: Batterikassetten måste vara isatt när du justerar laserlinjen. Var särskilt försiktig så att du inte startar maskinen under inställningen. Oavsiktlig start av maskinen kan leda till allvarlig personskada.

⚠ FÖRSIKTIGT: Titta aldrig direkt in i laserstrålen. Det kan allvarligt skada ögonen.

OBSERVERA: Kontrollera regelbundet laserlinjens läge för att bibehålla noggrannheten.

OBSERVERA: Var försikt med stötar mot maskinen. Det kan få laserlinjen att bli felriktad, eller så kan det skada lasern och minska laserns livslängd.

OBSERVERA: Låt maskinen repareras på ett auktoriserat Makita servicecenter om det uppstår något fel på laserenheten.

Laserlinjens justerbara område fastställs av justerskruvorna för område på båda sidor. Utför följande procedur för att ändra laserlinjens position.

1. Ta bort batterikassetten.
2. Rita in en såglinje på arbetsstycket och placera det på geringsskivan. Sätt inte fast arbetsstycket nu med tving eller liknande.
3. Sänk handtaget och rikta in såglinjen med sågklingan.
► **Fig.62:** 1. Såglinje
4. Återför handtaget till ursprungsposition och säkra arbetsstycket med den vertikala tvingen så att arbetsstycket inte flyttar sig från den position du bestämt.
► **Fig.63:** 1. Tving
5. Sätt i batterikassetten i maskinen och starta lasern.
6. Lossa inställningsskruven. För att flytta laserlinjen bort från klingan, vrid justerskruvorna för område moturs. För att flytta laserlinjen mot klingan, vrid justerskruvorna för område medurs.

Justera laserlinjen på vänster sida om klingan

- **Fig.64:** 1. Inställningsskruv 2. Justerskruv för område 3. Insexnyckel 4. Laserlinje 5. Sågklinga

Justera laserlinjen på höger sida om klingan

- **Fig.65:** 1. Justerskruv för område 2. Insexnyckel 3. Laserlinje 4. Sågklinga

7. Skjut inställningsskruven till sådan position att laserlinjen ligger på såglinjen och dra åt.

OBS: Laserlinjens flyttbara område är fabriksinställt inom 1 mm från sågklingans sidoyta.

Rengöring av laserlinsen

Laserluset blir svårt att se om laserlinsen blir smutsig. Gör rent linsen med jämna mellanrum. Ta bort batterikassetten. Lossa på skruven och dra ut linsen. Gör rent linsen försiktigt med en fuktig trasa.

- **Fig.66:** 1. Skruv

- **Fig.67:** 1. Lins

OBSERVERA: Ta inte bort skruven som fäster linsen. Om inte linsen går att ta ut, lossa mer på skruven.

OBSERVERA: Använd inte lösningsmedel eller petroleumbaserade rengöringsmedel på linsen.

Efter användning

Ta bort de spån och det damm som har fastnat på maskinen med en tygduk eller liknande efter att arbetet är avslutat. Se till att du håller klingskyddet rent, i enlighet med de anvisningar som tidigare beskrivits i avsnittet med titeln "Klingskydd". Smörj in de rörliga delarna med maskinolja för att förhindra rostbildning.

VALFRIA TILLBEHÖR

⚠ VARNING: Dessa tillbehör eller tillsatser från Makita rekommenderas för användning med den Makita-maskin som denna bruksanvisning avser. Om andra tillbehör eller tillsatser används kan det resultera i allvarlig personskada.

⚠ VARNING: Använd endast tillbehören eller tillsatserna från Makita för de syfte de är avsedda för. I annat fall kan det leda till allvarlig personskada.

Kontakta ditt lokala Makita servicecenter om du behöver ytterligare information om dessa tillbehör.

- Sågklinga med hårdmetallspetsar
- Stånghållarsats
- Fixeringsplatta
- Axelband
- Makitas originalbatteri och -laddare

OBS: Några av tillbehören i listan kan vara inkluderade i maskinpaketet som standardtillbehör. De kan variera mellan olika länder.

TEKNISKE DATA

Modell:	DL5600
Bladdiameter	165 mm
Hulldiameter (spindelhull)	20 mm
Maks gjæringsvinkel	Venstre 52°, høyre 52°
Maks skjæringsvinkel	Venstre 45° (46° ved bruk av utløserpak), Høyre 45° (46° ved bruk av utløserpak)
Hastighet uten belastning	5 000 min ⁻¹
Lasertype	Rød laser 650 nm, maksimal effekt < 1,6 mW (laserklasse 2M)
Mål (L x B x H)	340 mm x 400 mm x 440 mm
Merkespenning	DC 18 V
Standard batteriinnsett	BL1815N / BL1820 / BL1820B / BL1830 / BL1830B / BL1840 / BL1840B / BL1850 / BL1850B / BL1860B
Lader	DC18RC / DC18RD / DC18SD / DC18SE / DC18SF
Nettovekt	6,3 - 6,6 kg

Maks. skjærekapasitet (H x B) med bladdiameter 165 mm

Gjæringsvinkel	Skjæringsvinkel		
	45° (venstre)	0°	45° (høyre)
0°	30 mm x 92 mm	46 mm x 92 mm	15 mm x 92 mm
45° (venstre og høyre)	30 mm x 65 mm	46 mm x 65 mm	15 mm x 65 mm

- På grunn av vårt kontinuerlige forsknings- og utviklingsprogram kan spesifikasjonene som oppgis i dette dokumentet endres uten varsel.
- Spesifikasjoner og batteriinnsett kan variere fra land til land.
- Vekten kan variere avhengig av tilbehøret/tilbehørene, inkludert batteriet. Den letteste og tyngste kombinasjonen, i henhold til EPTA-prosedyre 01/2014, vises i tabellen.

Symboler

Nedenfor ser du symbolene som brukes for dette utstyret. Forviss deg om at du forstår hva de betyr, før du begynner å bruke maskinen.



Les bruksanvisningen.



Etter at du har skåret, bør du holde sagen ned helt til bladet stopper, for å unngå skade fra flyvende rester.



Ikke plasser hender eller fingre i nærheten av sagbladet.



Se aldri inn i laserstrålen. Direkte laserstråler kan skade øynene dine.



Kun for EU-land
Kast aldri elektroutstyr eller batteripakker i husholdningsavfallet!
I henhold til EU-direktivene om kasserte elektriske og elektroniske produkter, og om batterier og akkumulatører og brukte batterier og akkumulatører og direktivenes iverksettning i nasjonal rett, må elektriske produkter og batterier og batteripakker som ikke lenger skal brukes, samles separat og returneres til et miljøvennlig gjenvinningsanlegg.

Riktig bruk

Denne maskinen er laget for nøyaktig og rett gjærings-saging i tre.

Ikke bruk sagen til å skjære annet enn tre, aluminium og lignende materialer.

Støy

Typisk A-vektet lydtryknivå er bestemt i henhold til EN62841:

Lydtryknivå (L_{pA}): 90 dB (A)

Lydeffektnivå (L_{WA}): 97 dB (A)

Usikkerhet (K): 3 dB (A)

ADVARSEL: Bruk hørselsvern.

Vibrasjoner

Den totale vibrasjonsverdien (triaksial vektorsum) bestemt i henhold EN62841:

Genererte vibrasjoner (a_{h1}): 2,5 m/s² eller mindre

Usikkerhet (K): 1,5 m/s²

MERK: Den angitte verdien for de genererte vibrasjonene er målt i samsvar med standardtestmetoden og kan brukes til å sammenlikne et verktøy med et annet.

MERK: Den angitte verdien for de genererte vibrasjonene kan også brukes til en foreløpig vurdering av eksponeringen.

⚠ ADVARSEL: De genererte vibrasjonene ved faktisk bruk av elektroverktøyet kan avvike fra den angitte vibrasjonsverdien, avhengig av hvordan verktøyet brukes.

⚠ ADVARSEL: Sørg for å identifisere vernetiltak for å beskytte operatøren, som er basert på et estimat av eksponeringen under de faktiske bruksforholdene (idet det tas hensyn til alle deler av driftssyklusen, dvs. hvor lenge verktøyet er slått av, hvor lenge det går på tomgang og hvor lenge startbryteren faktisk holdes trykket).

EFs samsvarserklæring

Gjelder kun for land i Europa

EFs samsvarserklæring er lagt til som vedlegg A i denne bruksanvisningen.

SIKKERHETSADVARSEL

Generelle advarsler angående sikkerhet for elektroverktøy

⚠ ADVARSEL: Les alle sikkerhetsadvarsler, instruksjoner, illustrasjoner og spesifikasjoner som følger med dette elektroverktøyet. Hvis ikke alle instruksjonene nedenfor følges, kan det forekomme elektrisk støt, brann og/eller alvorlig skade.

Oppbevar alle advarsler og instruksjoner for senere bruk.

Uttrykket «elektrisk verktøy» i advarslene refererer både til elektriske verktøy (med ledning) tilkoblet strømmettet, og batteridrevne verktøy (uten ledning).

Sikkerhetsanvisninger for gjæringsagger

1. **Gjæringsagger er beregnet på saging av tre eller treaktige produkter. De må ikke brukes med kappeskiver med slipeeffekt for å sage materialer som f.eks. stenger, stolper, nagler, osv.** Slipestøv får bevegelige deler, som f.eks. det nedre vernet, til å kile seg. Gnister fra slipende saging vil brenne det nedre vernet, snittinnsatsen og andre plastdelene.
2. **Bruk klemmer for å holde arbeidsstykket på plass så sant det er mulig. Hvis du holder arbeidsstykket med hånden, må du alltid holde hånden minst 100 mm unna hver side av sagbladet. Ikke bruk denne sagen til å sage stykker som er for små til å festes godt med klemmer eller holdes med hånden.** Hvis du holder hånden for nær sagbladet, øker faren for skade som følge av kontakt med bladet.
3. **Arbeidsstykket må være i ro og holdes fast med klemmer eller hånden både mot anleggsflaten og bordet. Ikke mat arbeidsstykket inn i bladet eller sag på "frihånd".** Arbeidsstykker som ligger løst eller beveger seg kan kastes tilbake i høy hastighet og forårsake skader.

4. **Du må aldri krysse hånden over den tiltenkte skjærelinjen, verken foran eller bak sagbladet.** Å holde arbeidsstykket "med hendene i kryss", dvs. at du holder arbeidsstykket til høyre for sagbladet med venstrehånden eller motsatt, er svært farlig.

► Fig.1

5. **Ikke strekk hånden nærmere enn 100 mm fra hver side av sagbladet bak anleggsflaten for å fjerne rester av tre – eller av noen som helst annen grunn – mens bladet sviver.** Det er ikke sikkert at du merker hvor nær hånden er det svivende sagbladet, og du kan bli alvorlig skadet.
6. **Undersøk arbeidsstykket før du sager. Hvis arbeidsstykket er bøyd eller vridd, klemmer du det med den utvendige buede flaten mot anleggsflaten og bordet langs skjærelinjen.** Bøyde eller vridd arbeidsstykker kan vri eller flytte på seg, og det kan føre til at arbeidsstykket setter seg fast i det svivende sagbladet under saging. Det må ikke være spiker eller fremmedlegemer i arbeidsstykket.
7. **Ikke bruk sagen før bordet er fritt for alt verktøy, alle rester av tre, osv. unntatt arbeidsstykket.** Små rester, løse trebiter eller andre gjenstander som kommer i kontakt med det roterende bladet, kan bli kastet tilbake i høy hastighet.
8. **Du må kun sage ett arbeidsstykke om gangen.** Det er umulig å klemme eller holde fast flere arbeidsstykker som er stablet oppå hverandre tilstrekkelig, og de kan sette seg fast i bladet eller bevege seg under saging.
9. **Sørg for at gjæringsaggen er montert eller plassert på en jevn, fast arbeidsflate før bruk.** En jevn og fast arbeidsflate reduserer faren for at gjæringsaggen blir ustabil.
10. **Planlegg arbeidet. Hver gang du endrer skrå- eller gjæringsvinkelen, må du sørge for at den justerbare anleggsflaten er stilt riktig inn for å holde arbeidsstykket uten at den kommer i kontakt med bladet eller vernesystemet.** Uten å slå på verktøyet og uten arbeidsstykket på bordet, bevege du sagbladet gjennom en fullstendig simulert skjæring for å sikre at det ikke vil oppstå kontakt eller fare for å sage i anleggsflaten.
11. **Sørg for tilstrekkelig støtte som bordforlengere, sagkrakker, osv. hvis arbeidsstykket er bredere eller lengre enn bordplaten.** Arbeidsstykker som er lengre eller bredere enn gjæringsaggbordet kan vippe hvis de ikke har tilstrekkelig støtte. Hvis stykket som er saget av eller arbeidsstykket vipper, kan det nedre vernet bli løftet opp eller kastet tilbake av det svivende bladet.
12. **Ikke bruk en annen person som erstatning for en bordforlenger eller som ekstra støtte.** Hvis ikke arbeidsstykket støttes tilstrekkelig, kan det føre til at bladet setter seg fast eller at arbeidsstykket flytter seg under sagingen, slik at du og medhjelperen din blir trukket inn i det svivende bladet.
13. **Stykket som er saget av må ikke på noen måte kiles eller presses mot det svivende sagbladet.** Hvis stykket som er saget av blir klemt inne, dvs. av lengdestoppere, kan det treffe bladet og bli kastet tilbake med voldsom kraft.

14. **Bruk alltid en klemme eller et festeelement som er beregnet på å holde runde materialer som stenger eller rørr.** Stenger har en tendens til å rulle når de sages, slik at bladet "biter seg fast" og trekker arbeidsstykket og hendene dine inn i bladet.
15. **La bladet nå fullhastighet før du setter det i kontakt med arbeidsstykket.** Dette reduserer faren for at arbeidsstykket kastes tilbake.
16. **Hvis arbeidsstykket eller bladet kiler seg, må du slå av gjæringssagen. Vent til alle bevegelige deler har stanset, og trekk støpselet ut av stikkkontakten og/eller ta ut batteriet. Deretter fjerner du det fastkilte materialet.** Hvis du fortsetter å sage når et arbeidsstykke har kilt seg, kan du miste kontrollen eller skade gjæringssagen.
17. **Når du er ferdig å sage, slipper du bryteren, holder saghodet nede, og venter til bladet stanser før du tar bort stykket som er saget av.** Det er farlig å bevege hånden i nærheten av det rullende bladet.
18. **Hold godt tak i hendelen når du utfører en ufullstendig skjæring eller når du slipper bryteren før saghodet er helt nede.** Når sagen bremser ned, kan saghodet trekkes brått nedover og forårsake personskade.
19. **Bruk bare sagbladet med diameter som er merket på verktøyet eller spesifisert i håndboken.** Bruk av et blad med feil størrelse kan påvirke riktig beskyttelse av bladet eller bruk av bladvernet, som kan resultere i alvorlig personskade.
20. **Bruk bare sagbladene som er merket med en hastighet som er lik eller høyere enn hastigheten som er merket på verktøyet.**
21. **Ikke bruk sagen til å sage annet enn tre, aluminium og lignende materialer.**
22. **(Kun land i Europa.)
Bruk alltid bladet som overholder EN847-1.**
10. **Pass på å ikke skade akselen, flensene (spesielt installeringsoverflaten) eller bolten.** Skade på disse delene kan føre til at bladet brykker.
11. **Forsikre deg om at dreiefoten er sikret skikkelig, slik at den ikke kan forskyve seg under bruk.** Fest sagen til en stabil arbeidsplattform eller benk ved hjelp av hullene i foten. Du må ALDRI bruke verktøyet hvis du står ubekvemt.
12. **Forsikre deg om at spindellåsen er av før du slår på bryteren.**
13. **Forsikre deg om at bladet ikke er i kontakt med dreiefoten i den laveste stillingen.**
14. **Hold hendelen godt fast. Vær oppmerksom på at sagen går litt opp og ned når den startes og stoppes.**
15. **Forviss deg om at bladet ikke er i kontakt med arbeidsstykket, før du slår på bryteren.**
16. **La verktøyet svive en liten stund før du begynner å bruke det på et arbeidsstykke. Se etter vibrasjoner eller vingling som kan tyde på at bladet er dårlig balansert.**
17. **Hvis du merker at noe er uvanlig, må du stanse arbeidet omgående.**
18. **Ikke forsøk å låse avtrekkeren i PA-stillingen.**
19. **Bruk alltid tilbehør anbefalt i denne håndboken. Bruk av upassende tilbehør som rue hjul kan føre til personskade.**
20. **Enkelte materialer inneholder kjemikalier som kan være giftige. Vis forsiktighet for å forhindre hudkontakt og innånding av støv. Følg leverandørens sikkerhetsanvisninger.**

Ytterligere sikkerhetsregler for laseren

1. **LASERSTRÅLER. IKKE SE INN I STRÅLEN ELLER DIREKTE PÅ DEN MED OPTISKE INSTRUMENTER. LASERPRODUKT KLASSE 2M.**

Ekstra anvisninger

1. **Gjør verkstedet barnesikkert med hengelåser.**
2. **Du må aldri stå på verktøyet.** Hvis verktøyet vippes eller ved utilsiktet kontakt med skjæreverktøyet, kan det oppstå alvorlig personskade.
3. **La aldri verktøyet svive uten tilsyn. Slå av strømmen.** Ikke forlat verktøyet før det har stanset helt opp.
4. **Ikke bruk verktøyet uten at vernet er på plass. Kontroller at det nedre vernet er ordentlig lukket før bruk. Ikke begynn å bruke sagen hvis det nedre vernet ikke beveger seg fritt og lukker seg momentant. Bladvernet må aldri klemmes fast eller bindes opp i åpen stilling.**
5. **Hold hendene unna sagbladets bane. Unngå kontakt med rullende blader. Det kan føre til alvorlig personskade.**
6. **Sikre alle bevegelige deler før du flytter verktøyet.**
7. **Anslagsstiften som låser skjærehodet ned er kun til for løfting eller oppbevaring og ikke for å sage.**
8. **Før du begynner å bruke verktøyet, må du kontrollere nøye at bladet ikke har sprekker eller andre skader. Skift ut sprukne eller ødelagte blader omgående. Harpiks og bek som størkner på bladene reduserer turtallet på sagen og øker risikoen for tilbakeslag. Hold bladet rent ved først å ta det av verktøyet og deretter gjøre det rent med en harpiks- og bekfjerner, varmt vann eller parafin. Bruk aldri bensin når du skal rengjøre bladet.**
9. **Bruk bare flenser som er spesifisert for dette verktøyet.**

TA VARE PÅ DISSE INSTRUKSENE.

⚠ ADVARSEL: IKKE LA hensynet til hva som er "behagelig" eller det faktum at du kjenner produktet godt (etter mange gangers bruk) gjøre deg mindre oppmerksom på sikkerhetsreglene for bruken av det aktuelle produktet. Ved MISBRUK eller hvis ikke sikkerhetsreglene i denne bruksanvisningen følges, kan det oppstå alvorlig personskade.

Viktige sikkerhetsanvisninger for batteriinnsetts

1. **Før du begynner å bruke batteriet, må du lese alle anvisninger og forsiktighetsregler på (1) batteriladeren, (2) batteriet og (3) det produktet batteriet skal brukes i.**
2. **Ikke ta fra hverandre batteriet.**
3. **Hvis driftstiden er blitt vesentlig kortere, må du omgående slutte å bruke maskinen. Hvis ikke kan resultatet bli overoppheting, mulige forbrenninger eller til og med en eksplosjon.**
4. **Hvis du får elektrolytt i øynene, må du skylle dem med store mengder rennende vann og oppsøke lege med én gang. Denne typen uhell kan føre til varig blindhet.**

5. Ikke kortslutt batteriet:
 - (1) De kan være ekstremt varme og du kan brenne deg.
 - (2) Ikke lagre batteriet i samme beholder som andre metallgjenstander, som for eksempel spiker, mynter osv.
 - (3) Ikke la batteriet komme i kontakt med vann eller regn.

En kortslutning av batteriet kan føre til et kraftig strømstøt, overoppvarming, mulige forbrenninger og til og med til at batteriet går i stykker.

6. Ikke lagre maskinen og batteriet på steder hvor temperaturen kan komme opp i eller overskride 50 °C.
7. Ikke sett fyr på batteriet, ikke engang om det er sterkt skadet eller helt utslitt. Batteriet kan eksplodere hvis det begynner å brenne.
8. Vær forsiktig så du ikke mister batteriet eller utsetter det for slag.
9. Ikke bruk batterier som er skadet.
10. Lithium-ion-batteriene som medfølger er gjenstand for krav om spesialavfall.

For kommersiell transport, f.eks av tredjeparter eller spedistører, må spesielle krav om pakking og merking følges.

Før varen blir sendt, må du forhøre deg med en ekspert på farlig materiale. Ta også hensyn til muligheten for mer detaljerte nasjonale bestemmelser. Bruk teip eller maskeringsteip for å skjule åpne kontakter og pakk inn batteriet på en slik måte at den ikke kan bevege seg rundt i emballasjen.

11. Følg lokale bestemmelser for avhending av batterier.

TA VARE PÅ DISSE INSTRUKSENE.

⚠FORSIKTIG: Bruk kun originale Makita-batterier. Bruk av batterier som har endret seg, eller som ikke er originale Makita-batterier, kan føre til at batteriet sprekker og forårsaker brann, personskader og andre skader. Det vil også ugyldiggjøre garantien for Makita-verktøyet og -laderen.

Tips for å opprettholde maksimal batterilevetid

1. Lad batteriinnsetsen før den er helt utladet. Stopp alltid driften av verktøyet og lad batteriinnsetsen når du merker at effekten reduseres.
2. Lad aldri en batteriinnsets som er fulladet. Overopplading forkorter batteriets levetid.
3. Lad batteriet i romtemperatur ved 10 °C - 40 °C. Et varmt batteri må kjøles ned før lading.
4. Lad batteriet hvis det ikke har vært brukt på en lang stund (over seks måneder).

DELEBESKRIVELSE

► Fig.2

1	AV-sperreknapp	2	Startbryter	3	Håndtak	4	Bladkasse
5	Blad	6	Bladvern	7	Tilleggsanlegg	8	Lite tilleggsanlegg
9	Fot	10	Dreifot	11	Føringsflate	12	Vertikal skrustikke
13	Støvpose	14	Støvmunnstykke	15	Midtdeksel	-	-

► Fig.3

16	Lampe	17	Batteri	18	Sekskantnøkkel	19	Utløerspak
20	Hendel (for justering av skjæringsvinkel)	21	Snittplate	22	Justeringskrue for nedre grense	23	Lampebryter
24	Laserbryter	-	-	-	-	-	-

MONTERING

Montere benk

⚠ADVARSEL: Pass på at maskinen ikke beveger seg på opplagerflaten. Hvis gjæringssagen beveger seg på opplagerflaten mens du kutter, kan du miste kontroll over sagen og risikere alvorlige personskader.

1. Fest foten til en jevn og stabil overflate, ved å skru den fast med to skruer. Dette bidrar til å unngå velt og personskader.

► Fig.4: 1. Skruer

FUNKSJONSBEKRIVELSE

⚠ ADVARSEL: Forviss deg alltid om at verktøyet er slått av og batteriet tatt ut før du justerer maskinen eller kontrollerer dens mekaniske funksjoner. Hvis du ikke slår av verktøyet og fjerner batteriet, kan det hende at verktøyet starter ved et uhell, noe som kan føre til alvorlig personskade.

Sette inn eller ta ut batteri

⚠ FORSIKTIG: Slå alltid av verktøyet før du setter inn eller fjerner batteriet.

⚠ FORSIKTIG: Hold verktøyet og batteripatronen i et fast grep når du monterer eller fjerner batteripatronen. Hvis du ikke holder verktøyet og batteripatronen godt fast, kan du miste grepet, og dette kan føre til skader på verktøyet og batteripatronen samt personskader.

► **Fig. 5:** 1. Rød indikator 2. Knapp 3. Batteriinnsetts

For å ta ut batteriet må du skyve på knappen foran på batteriet og trekke det ut.

Når du skal sette inn batteriet, må du plassere tungen på batteriet på linje med sporet i huset og skyve batteriet på plass. Skyv det helt inn til det går i inngrep med et lite klikk. Hvis du kan se den røde anviseren på oversiden av knappen, er det ikke fullstendig låst.

⚠ FORSIKTIG: Batteriet må alltid settes helt inn, så langt at den røde anviseren ikke lenger er synlig. Hvis dette ikke gjøres, kan batteriet komme til å falle ut av maskinen og skade deg eller andre som oppholder seg i nærheten.

⚠ FORSIKTIG: Ikke bruk makt når du setter i batteriet. Hvis batteriet ikke glir lett inn, er det fordi det ikke settes inn på riktig måte.

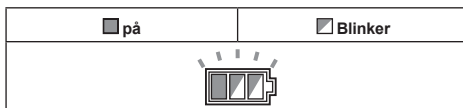
Batterivernsystem for verktøy/ batteri

Verktøyet er utstyrt med et batterivernsystem for verktøy/batteri. Dette systemet kutter automatisk strømmen til motoren for å forlenge verktøyets og batteriets levetid. Verktøyet stopper automatisk under drift hvis verktøyet eller batteriet utsettes for en av følgende tilstander:

Overlastsikring

Når verktøyet brukes på en måte som gjør at det bruker unormalt mye strøm, vil verktøyet stoppe, helt automatisk og uten forvarsel. I dette tilfellet må du slå av verktøyet og avslutte bruken som forårsaket at verktøyet ble overbelastet. Slå deretter verktøyet på for å starte det igjen.

Overopphetingsvern



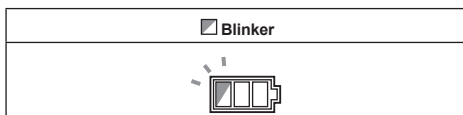
Når verktøyet blir overopphetet, stopper verktøyet automatisk og strømindikatoren blinker i cirka 60 sekunder. Hvis dette skjer, må du ta verktøyet kjøle seg ned før du slår på verktøyet igjen.

Overutladingsvern

Når det blir lite batteri igjen, stopper verktøyet automatisk. Hvis produktet ikke går selv om bryterne aktiveres, må du ta batteriene ut av verktøyet og lade batteriene.

Oppheve låsing ved beskyttelsessystemet

Når beskyttelseslåsen kobles inn gjentatte ganger, låses verktøyet, og batteriindikatoren blinker.


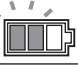




Hvis dette skjer, slår du av bryteren og fjerner årsaken til at beskyttelseslåsen kobles inn og slår deretter på bryteren igjen. Hvis verktøyet ikke fungerer selv om bryteren slås på igjen, må du ta ut batteriet og lade det.

Indikere gjenværende batterikapasitet

► **Fig. 6:** 1. Batteriindikator

Når du trykker inn startbryteren, angir batteriindikatoren gjenværende batterikapasitet.

Batteriindikatorstatus			Gjenværende batterikapasitet
<input checked="" type="checkbox"/> På	<input type="checkbox"/> Av	<input checked="" type="checkbox"/> Blinker	
			50 % til 100 %
			20 % til 50 %
			0 % til 20 %
			Lad batteriet

Indikere gjenværende batterikapasitet

Kun for batterier med indikatoren

► **Fig.7:** 1. Indikatorlamper 2. Kontrollknapp



Trykk på sjekk-knappen på batteriet for vise gjenværende batterikapasitet. Indikatorlampene lyser i et par sekunder.

Indikatorlamper			Gjenværende batterinivå
Tent	Av	Bliker	
■	□	▣	75 % til 100 %
■	■	■	50 % til 75 %
■	■	□	25 % til 50 %
■	□	□	0 % til 25 %
▣	□	□	Lad batteriet.
■	■	□	Batteriet kan ha en feil.
□	□	■	

MERK: Det angitte nivået kan avvike noe fra den faktiske kapasiteten alt etter bruksforholdene og den omgivende temperaturen.

Funksjon for automatisk hastighetsendring

► **Fig.8:** 1. Modusindikator

Modusindikatorstatus	Driftsmodus
	Modus for høy hastighet
	Modus for høyt dreiemoment

Dette verktøyet har en modus for høy hastighet og en modus for høyt dreiemoment. Verktøyet skifter driftsmodus avhengig av arbeidsbelastningen. Når modusindikatoren begynner å lyse under drift, er verktøyet i modus for høyt dreiemoment.

Stopperstift

⚠FORSIKTIG: Hold alltid hendelen når du slipper stopperstiften. Ellers vil håndtaket sprette, og dette kan føre til personskade.

Slipp stopperstiften ved å presse håndtaket forsiktig nedover og deretter trekke i stopperstiften.

► **Fig.9:** 1. Stopperstift

Bladvern

⚠ADVARSEL: Bladvernet eller fjæren som er festet til vernet skal aldri fjernes eller settes ute av funksjon. Hvis vernet er satt ute av funksjon slik at et blad er utildekt, kan det oppstå alvorlige personskader når sagen er i bruk.

⚠ADVARSEL: Aldri bruk maskinen hvis bladvernet eller fjæren er skadet, fungerer dårlig eller er fjernet. Hvis maskinen brukes når vernet er skadet, fungerer dårlig eller er fjernet, kan det oppstå alvorlige personskader.

⚠FORSIKTIG: Hold alltid bladvernet i god stand for sikker bruk. Stans driften umiddelbart hvis det er hvis det oppstår feil i bladvernet. Kontroller at fjæren går tilbake til utgangsposisjon.

► **Fig.10:** 1. Bladvern

Når du senker håndtaket, heves bladvernet automatisk. Bladvernet er fjærbelastet og går tilbake til opprinnelig stilling når kuttingen er fullført og håndtaket heves.

Rengjøring

► **Fig.11:** 1. Bladvern

Hvis det gjennomskitige bladvernet blir skittent, eller sagflis fester seg slik at bladet og/eller arbeidsstykket ikke lenger er godt synlig, må du ta ut batteriet og forsiktig tørke av vernet med en fuktig klut. Ikke bruk løsemidler eller bensinbaserte rengjøringsmidler på plastvernet, da dette kan skade vernet.

For rengjøring skal du heve bladvernet ved å se «Montere eller demontere sagblad».

Etter rengjøring må du sørge for å sette bladet og midtdekslet tilbake til utgangsposisjon, og stramme til sekskantskruen.

1. Forsikre deg alltid om at verktøyet er skrudd av og at batteriene er tatt ut.
2. Drei sekskantskruen mot klokken ved bruk av den medfølgende sekskantnøkkelen mens du holder midtdekslet.
3. Løft bladvernet og midtdekslet.
4. Når rengjøringen er ferdig, må du sette midtdekslet tilbake på plass og stramme til sekskantskruen, ved å utføre trinnene ovenfor i motsatt rekkefølge.

⚠ADVARSEL: Ikke fjern fjæren som holder bladvernet. Hvis vernet blir skadet etter som tiden går, eller på grunn av UV-lys, kan du få et nytt på et Makita servicesenter. **VERNET SKAL ALDRI FJERNES ELLER SETTES UTE AV FUNKSJON.**

Plassere snittplate

Verktøyet leveres med snittplatene i dreiefoten for å redusere slitasje på utgangssiden av et kutt til et minimum. Snittplatene er fabrikkjustert slik at sagbladet ikke er i berøring med platene. Før bruk må du justere snittplatene på følgende måte:

1. Sørg for å fjerne batteriet. Løsne deretter alle skruene (2 hver på høyre og venstre side) som holder skjæreplatene.

► **Fig.12:** 1. Snittplate 2. Skru

2. Stram dem igjen akkurat så mye at skjæreplatene fortsatt kan beveges lett for hånd.

3. Senk håndtaket helt og skyv inn stopperstiften for å låse håndtaket i nedre stilling.

4. Juster skjæreplatene slik at de akkurat berører siden av sagbladstennene.

► Fig.13

► Fig.14: 1. Sagblad 2. Bladtenner 3. Snittplate
4. Venstre skråskjæring 5. Rett snitt

5. Stram skruene (ikke hardt).

6. Etter at skjæreplatene er justert, må du løsne stopperstiften og heve håndtaket. Deretter må alle skruene strammes godt.

OBS: Når du har stilt inn skjæringsvinkelen i vertikalplanet, må du sikre at skjæreplatene er korrekt justert. Når skjæreplatene er korrekt justert, vil dette bidra til å gi arbeidsstykket riktig støtte og holde det bedre på plass.

Vedlikeholde maksimal skærekapasitet

Dette verktøyet er fabrikkjustert til å gi maksimal sageskapasitet for et 165 mm sagblad.

Når du monterer et nytt blad, må du alltid sjekke nedre grenseposisjon for bladet og justere det på følgende måte ved behov:

1. Fjern batteriet. Senk håndtaket helt.

2. Bruk sekskantnøkkelen til å skru justeringskrueen for nedre grense til sagbladet kommer litt under tverrsnittet av føringsflaten og overflaten av dreiefoten.

► Fig.15: 1. Justeringskrue

► Fig.16: 1. Føringsflate

3. Roter bladet for hånd, mens du holder håndtaket helt ned, for å forsikre deg om at det ikke berører noen deler av den nedre foten. Etterjuster noe ved behov.

⚠ ADVARSEL: Når du har satt inn et nytt blad og batteriet er tatt ut, må du passe på at bladet ikke berører noen del av den nedre foten når håndtaket er trukket helt ned. Hvis bladet berører foten, kan det oppstå tilbakeslag. Dette kan medføre alvorlige personskader.

► Fig.17

Tilleggsanlegg

Landsspesifikk

Denne sagen er utstyrt med et tilleggsanlegget og små tilleggsanlegg.

Tilleggsanlegg

⚠ ADVARSEL: Fjern alltid tilleggsanlegget ved skråskjæring. Hvis du ikke følger denne anbefalingen, kan det resultere i alvorlige personskader.

► Fig.18: 1. Tilleggsanlegg

Bruk tilleggsanlegget for å støtte arbeidsstykket ved skjæring unntatt ved skråskjæring.

Lite tilleggsanlegg

⚠ FORSIKTIG: Fell inn de små tilleggsanleggene ved skråskjæring mot høyre. Ellers kan de komme i berøring med sagbladet eller en del av maskinen og utsette brukeren for mulig alvorlig skade.

► Fig.19: 1. Lite tilleggsanlegg 2. Skala

Ved vertikal skjæring eller skråskjæring mot venstre, må du felle dem opp for å understøtte arbeidsstykket. Føringsflaten har en skala med 10 mm intervaller.

Justere gjæringsvinkelen

► Fig.20: 1. Festeskrue 2. Dreiefot 3. Gjæringssskala
4. Peker

1. Løs festeskruen ved å skru den mot klokken.

2. Juster vinkelen på dreiefoten. Bruk pekeren og gjæringssskalaen som føring.

3. Stram til festeskruen godt med klokken.

⚠ FORSIKTIG: Når du har endret gjæringsvinkelen, må du alltid sikre dreiefoten ved å stramme festeskruen godt.

OBS: Når du dreier dreiefoten, må du heve håndtaket helt.

Justere skråvinkelen

Juster skråvinkelen ved å løsne spaken bak på sagen nedover.

► Fig.21: 1. Spak

Hold spaken og vipp saghodet for å vippe bladet til venstre. Bruk gjæringssskalaen og pekeren som føring. Stram spaken godt oppover for å sikre saghodet.

► Fig.22: 1. Peker 2. Skråvinkelskala

Hold spaken, vipp saghodet litt mot venstre og trykk utløserknappen for å vippe bladet til høyre. Vipp sagbladet mot høyre med utløserknappen trykket. Drei spaken godt oppover for å sikre saghodet.

► Fig.23: 1. Utløserknapp

⚠ FORSIKTIG: Når du har endret skråvinkelen, må du alltid sikre saghodet ved å stramme spaken godt oppover.

OBS: Pass på at håndtaket er helt oppe når du skråstiller sagbladet.

OBS: Når du endrer skråvinklene, må du forvise deg om at snittplatene plasseres riktig (forklart i «Plassere snittplater»-avsnittet).

Stille inn 46° skjæringsvinkel

1. Løs spaken og vipp bladet helt mot venstre eller høyre.

► Fig.24: 1. Spak

2. For å vippe sagbladet til venstre holder du håndtaket og vipper saghodet litt mot høyre. Deretter beveger du løsespaken i pilens retning. Skråskjæringsvinkelen kan justeres mellom 45° til 46° ved å vippe saghodet mens du beveger løsespaken.

For å vippe sagbladet til høyre holder du håndtaket og vipper saghodet litt mot venstre. Deretter beveger du løsespaken i pilens retning. Skrårskjæringsvinkelen kan justeres mellom 45° til 46° ved å vippe saghodet mens du beveger løsespaken.

► **Fig.25:** 1. Spak 2. Utløerspak

3. Drei spaken godt oppover for å sikre saghodet.

Justere spakens posisjon

Hvis spaken ikke gir full stramming etter som tiden går, må du endre posisjonen til spaken. Spaken kan plasseres i alle vinkler på 30°.

Løsnø og ta ut skruene som fester spaken. Ta av spaken og monter den igjen slik at den peker litt over den horisontale posisjonen. Stram spaken godt med skruen.

► **Fig.26:** 1. Spak 2. Skruer

Bryterfunksjon

⚠ADVARSEL: Før du setter batteriet i maskinen, må du kontrollere at startbryteren beveger seg riktig og går tilbake til OFF når den slippes. Hvis du bruker maskinen med en bryter som ikke fungerer som den skal, kan du komme til å miste kontrollen, og det kan oppstå alvorlige helseskader.

⚠ADVARSEL: Maskinen må **ALDRI** brukes uten at startbryteren er i **perfekt stand**. Det er **SVÆRT FARLIG** å bruke maskinen når bryteren er defekt. Reparer bryteren før du bruker maskinen. Hvis dette ikke gjøres, er det fare for alvorlige personsykader.

⚠ADVARSEL: Av hensyn til din egen sikkerhet er denne maskinen utstyrt med en AV-sperreknapp som forhindrer utilsiktet start av maskinen. **Maskinen må ALDRI brukes hvis den begynner å gå bare du trykker på startbryteren, uten at du må trykke på AV-sperreknappen også.** En skadet/defekt bryter kan føre til at maskinen aktiveres utilsiktet og alvorlige personsykader kan oppstå. Returner maskinen til et Makita-servicesenter for å få den reparert **FØR** videre bruk.

⚠ADVARSEL: **ALDRI sett AV-sperreknappen ute av funksjon ved å for eksempel teipe over den.** En defekt AV-sperreknapp kan føre til at maskinen aktiveres utilsiktet og alvorlige personsykader kan oppstå.

OBS: Ikke press hardt på startbryteren uten å trykke inn AV-sperreknappen. Dette kan fi bryteren til å brenne.

For å unngå at noen drar i startbryteren ved en feiltakelse er verktøyet utstyrt med en AV-sperreknapp. For å starte verktøyet må du trykke inn AV-sperreknappen og dra i startbryteren. Slipp startbryteren når du vil stanse verktøyet.

► **Fig.27:** 1. AV-sperreknapp 2. Hull for hengelås
3. Startbryter

Tenne lampen

⚠FORSIKTIG: Denne lampen er ikke regntett. Ikke vask lampen i vann eller bruk den i regn eller i et vått område. Dette kan forårsake elektrisk støt og røykutvikling.

⚠FORSIKTIG: Ikke berør linsen på lampen, da den er veldig varm når den lyser og rett etter at den er slått av. Dette kan forårsake brannskader.

⚠FORSIKTIG: Ikke utsett lampen for støt, da dette kan skade den eller redusere levetiden.

⚠FORSIKTIG: Ikke få lyset i øynene hele tiden. Det kan skade øynene dine.

⚠FORSIKTIG: Ikke dekk lampen med klær, kartong, papp eller lignende gjenstander når den lyser, da dette kan forårsake brann eller antennelse.

⚠FORSIKTIG: Ikke se inn i lyset eller se direkte på lyskilden.

Trykk på bryterens øvre stilling (I) for å slå på lampen. Trykk på bryterens nedre stilling (O) for å slå av lampen.

► **Fig.28:** 1. Lampe 2. Lampebryter

MERK: Bruk en tørr klut til å tørke støv osv. av lampelinsen. Vær forsiktig så det ikke blir riper i lampelinsen, da dette kan redusere lysstyrken.

MERK: Pass på å slå av bryteren, da å slå på bryteren forbruker kapasiteten i batteriet.

Laserstrålefunksjon

⚠FORSIKTIG: Se aldri inn i laserstrålen. Direkte laserstråler kan skade øynene dine.

Trykk på bryterens øvre stilling (I) for å slå på laserstrålen. Trykk på bryterens nedre stilling (O) for å slå av laserstrålen.

► **Fig.29:** 1. Laserbryter

MERK: Pass på å slå av bryteren, da å slå på bryteren forbruker kapasiteten i batteriet.

Laserlinjen kan flyttes til venstre eller høyre side av sagbladet ved å dreie skruen på følgende måte.

► **Fig.30:** 1. Justeringsskruer

1. Løs justeringsskruen ved å dreie den mot klokken.
2. Skyv justeringsskruen mot høyre eller venstre så langt det går når den er løs.
3. Stram skruen godt i stillingen hvor den slutter å bevege seg.

MERK: Laserlinjen er fabrikkinnstilt slik at den er posisjonert innenfor 1 mm fra siden på bladet (skjæreposisjon).

MERK: Hvis laserlinjen er uklar og vanskelig å se på grunn av direkte sollys, bør du flytte arbeidsområdet til et sted hvor det er mindre direkte sollys.

Innrette laserlinjen

Innrett skjærelinjen på arbeidsstykket med laserlinjen.

► Fig.31

- A) Når du ønsker å oppnå riktig størrelse på venstre side av arbeidsstykket, flytter du laserlinjen til venstre side av bladet.
B) Når du ønsker å oppnå riktig størrelse på høyre side av arbeidsstykket, flytter du laserlinjen til høyre side av bladet.

MONTERING

⚠ ADVARSEL: Forviss deg alltid om at maskinen er slått av og batteriet er fjernet før du utfører noe arbeid på maskinen. Hvis du unnlater å slå av støvsugeren og fjerne batteriet, kan det oppstå alvorlige personskader.

Oppbevare sekskantnøkkel

Sekskantnøkkelen lagres som vist i figuren. Når sekskantnøkkelen skal brukes, kan den trekkes ut av nøkkelholderen.

Etter at sekskantnøkkelen har vært brukt, kan den lagres igjen ved å sette den tilbake i nøkkelholderen.

► Fig.32: 1. Nøkkelholder 2. Sekskantnøkkel

Montere eller demontere sagblad

⚠ ADVARSEL: Forviss deg alltid om at maskinen er slått av og batteriet er fjernet før du monterer eller fjerner bladet. Hvis maskinen utilsiktet slås på, vil det være fare for alvorlige personskader.

⚠ FORSIKTIG: Bruk kun den medfølgende sekskantnøkkelen fra Makita til å montere eller demontere bladet. Hvis du gjør det, kan det føre til at sekskantskruen blir for hardt eller løst trukket til. Dette vil kunne forårsake skader.

Bruk følgende trinn for å ta av bladet:

1. Løs anslagsstiften, og lås deretter håndtaket i hevet posisjon ved å skyve anslagsstiften inn.
► Fig.33: 1. Stopperstift
2. Bruk sekskantnøkkelen for å løsne sekskantbolten som holder midtdekslet ved å dreie nøkkelen mot urviserne. Hev deretter bladvernet og midtdekslet.
► Fig.34: 1. Midtdeksel 2. Sekskantskrue 3. Sekskantnøkkel 4. Bladvern
3. Trykk på spindellåsen for å låse spindelen, og bruk nøkkelen til å løsne sekskantskruen (med urviserne). Fjern så sekskantskruen i spindelen, den ytre flensen og bladet.
► Fig.35: 1. Spindellås 2. Sekskantskrue 3. Ytre flense
4. Dersom den indre flensen fjernes, monterer du den på spindelen, slik at delen monteringsdelen for bladet er vendt mot bladet. Hvis flensen er satt i feil, vil den gnisse mot maskinen.
► Fig.36: 1. Ytre flense 2. Sagblad 3. Indre flens 4. Sekskantskrue (venstre) 5. Spindel 6. Monteringsdel for blad

Bruk følgende trinn for å montere bladet:

1. Montere bladet forsiktig på den indre flensen. Sørg for at pilretningen på bladoverflaten stemmer overens med pilretningen på bladkassen.
► Fig.37: 1. Sagblad 2. Pil
2. Sett på den ytre flensen og sekskantskruen. Bruk deretter nøkkelen til å trekke til skruen i spindelen (venstre) godt mot urviseren mens du trykker på spindellåsen.
3. Sett bladvernet og midtdekslet tilbake til utgangsposisjon. Stram så sekskantskruen på midtdekslet med urviserne for å sikre midtdekslet.
4. Friggjør hendelen fra hevet posisjon ved å dra i anslagsstiften. Senk hendelen for å passe på at bladvernet beveger seg som det skal.
5. Forviss deg om at spindellåsen har sluppet spindelens del før du sager.

For verktøy med indre flens for sagblad med en hulldiameter på 15,88

Landsspesifikk

Monter den indre flensen med den nedsenkede siden utover på festeakslingen og plasser sagbladet, ytterflensen og sekskantskruen (med ringen satt på om nødvendig).

For verktøy uten ringen

► Fig.38: 1. Ytre flense 2. Sagblad 3. Indre flens 4. Sekskantskrue (venstre) 5. Spindel

For verktøy med ringen

► Fig.39: 1. Ytre flense 2. Sagblad 3. Indre flens 4. Sekskantskrue (venstre) 5. Ring 6. Spindel

⚠ ADVARSEL: Hvis ringen er nødvendig for å montere bladet på spindelen, må du forsikre deg om at korrekt akselhullring er satt inn mellom de indre og ytre flensene. Hvis du bruker feil akselhullring, kan bladet bli feilmontert. Ved bruk av feil akselhullskive vil bladet kanskje ikke monteres riktig. Dette kan føre til at bladet begynner å vandre og vibrere kraftig, at du mister kontrollen over maskinen under arbeidet og til alvorlige helseskader.

For verktøy med indre flens for sagblad med en annen hulldiameter enn 20 mm eller 15,88

Landsspesifikk

Den indre flensen har et bestemt diameter på monteringsdelen for blad på den ene siden og en annen diameter på monteringsdelen for blad på den andre siden. Velg den korrekte siden derbladets monteringsdel passer perfekt i hullet på sagbladet.

► Fig.40: 1. Ytre flense 2. Sagblad 3. Indre flens 4. Sekskantskrue (venstre) 5. Spindel 6. Monteringsdel for blad

⚠ FORSIKTIG: Pass på at monteringsdelen for bladet "a" på den indre flensen som er posisjonert på utsiden passer perfekt i hullet på sagbladet "a". Hvis bladet monteres på feil side, kan det resultere i farlig vibrasjon.

Støvpose

Støvposen forenkler støvoppsamlingen og gjør bruken av sagen renere.

Fest støvposen på støvutløpet.

Når støvposten er omtrent halvfull, må du ta den av maskinen og trekke ut festemekanismen. Tøm støvposen og bank den forsiktig for å fjerne partikler som har festet seg til innsiden og som kan hindre videre støvoppsamling.

- **Fig.41:** 1. Støvpose 2. Støvmunnstykke
3. Festemekanisme

MERK: Hvis du kobler en støvsuger til sagen, kan driften av sagen bli enda renere.

- **Fig.42**

Sikre arbeidsemne

⚠ ADVARSEL: Det er uhyre viktig at du alltid sikrer arbeidsstykket korrekt med skrustikken.

Hvis dette ikke gjøres, kan resultatet bli alvorlige personskader eller skader på verktøyet og/eller arbeidsstykket.

⚠ ADVARSEL: Når du sager et arbeidsstykke som er lengre enn sagens støttefot, må hele lengden av materialet støttes opp forbi støttefoten og på samme høyde for å holde materialet plant. Når arbeidsstykket er godt støttet, er det mindre risiko for farlige tilbakeslag og at bladet kommer i klem. Ikke stol på at bare den vertikale skrustikken og/eller den horisontale skrustikken sikrer arbeidsstykket. Tynne materialer har en tendens til å gi etter. Støtt arbeidsstykket i hele lengden for å unngå at bladet kommer i klem og at det oppstår TILBAKESLAG.

- **Fig.43:** 1. Støtte 2. Dreiefot

Vertikal skrustikke

⚠ ADVARSEL: Sikre arbeidsemnet godt mot dreiefoten og føringsflaten med skrustikken under alle typer bruk. Ellers kan materialet bevege seg under saging, forårsake skade på bladet og bli kastet vekk. Dette kan føre til tap av kontroll og alvorlig personskade.

Monter den vertikale skruestikken enten på venstre eller høyre side av føringsflaten. Sett skrustikkestangen i hullet i føringsflaten og trekk til skruen for å feste skrustikkestangen.

- **Fig.44:** 1. Skruestikkearm 2. Skrustikkeknott
3. Føringsflate 4. Dreiefot 5. Nedre skruer
6. Øvre skruer 7. Skrustikkestang

Plasser skrustikkearmen i henhold til arbeidsstykkets tykkelse og form og sikre armen ved å stramme den øvre skruen. Hvis den øvre skruen berører føringsflaten, må du montere den øvre skruen på motsatt side av armen. Forviss deg om at ingen deler av sagen er i berøring med skrustikken når du senker håndtaket helt ned. Hvis noen deler berører skrustikken, må du flytte den.

Trykk arbeidsemnet mot føringsflaten og dreiefoten. Plasser arbeidsemnet i ønsket skjæreposisjon og sikre det godt ved å stramme skrustikkeknotten.

Feste skulderstroppen

Valgfritt tilbehør

⚠ FORSIKTIG: Husk å fjerne skulderstroppen før verktøyet brukes. Skulderstroppen kan vikle seg inn og føre til personskader.

⚠ FORSIKTIG: Pass på å feste krokene til skulderstroppen sikkert til sagen. Hvis krokene ikke er skikkelig festet, kan de falle av og føre til personskader.

Skulderstroppen er egnet til å transportere sagen. Fest krokene til skulderstroppen på sagen slik figuren viser.

- **Fig.45:** 1. Skulderstropp 2. Krok

BRUK

⚠ ADVARSEL: Forviss deg om at bladet ikke har kontakt med arbeidsstykket osv. før startbryteren slås på. Hvis maskinen slås på mens bladet berører arbeidsemnet, kan dette føre til tilbakeslag og alvorlige personskader.

⚠ ADVARSEL: Når du er ferdig å sage, er det svært viktig at du ikke løfter bladet før det har stanset helt. Hvis du løfter et blad som ruller, risikerer du alvorlige skader både på deg selv og arbeidsstykket.

OBS: Før bruk må du frigjøre hendelen fra senket posisjon ved å dra i anslagsstiften.

OBS: Ikke legg stort trykk på hendelen når du sager. For mye kraft kan føre til at motoren overbelastes og/eller at sageeffekten reduseres. Skyv ned hendelen med den kraften som trengs for jevn saging og uten merkbare reduksjon i bladets hastighet.

OBS: Trykk hendelen forsiktig ned for å gjenomføre kuttet. Hvis håndtaket trykkes ned med makt eller det brukes sidekraft, kan bladet vibrere og lage et merke (sagmerke) i arbeidsemnet. Dette kan ødelegge presisjonen i kuttet.

Pressaging (sage små arbeidsemner)

- **Fig.46**

Arbeidsstykker som er opptil 46 høyde og 92 mm brede kan kappes på følgende måte.

1. Fest arbeidsstykket med skrustikken.
2. Slå på sagen uten at bladet er i kontakt med noe, og vent til bladet oppnår full hastighet før du senker.
3. Senk håndtaket forsiktig til nederste stilling for å kappe arbeidsstykket.
4. Når snittet er laget, må du slå av maskinen og **vente til bladet har stoppet helt** før du setter bladet tilbake i helt oppreist stilling.

Gjærsaging

Se avsnittet «Justere gjæringsvinkelen».

Skråskjæring

⚠ ADVARSEL: Når bladet er stilt inn for gjæringsaging i vertikalplanet, må du forsikre deg om at saghodet og bladet kan bevege seg fritt under hele kutteprosessen. Hvis saghodet eller bladet blir hindret under sagingen, kan det oppstå tilbakeslag som kan gi alvorlige personskader.

⚠ ADVARSEL: Når du utfører gjæringsaging i vertikalplanet må du passe på å holde hendene borte fra sagbladets bane. Vær oppmerksom på at bladvinkelen kan gi et feilaktig inntrykk av sagbladets faktiske bane. Kontakt med sagbladet vil gi alvorlige personskader

⚠ ADVARSEL: Ikke hev bladet før det har stoppet helt. Ved gjæringsaging i vertikalplanet kan det skje at det avkappede arbeidsstykket hviler mot bladet. Hvis bladet da heves mens det fremdeles roterer, kan det kaste ut den avkappede biten. Dette vil føre til at materialet fliser seg opp, og alvorlige personskader kan oppstå.

⚠ ADVARSEL: Fjern alltid tilleggsanlegget ved skråskjæring. Hvis du ikke følger denne anbefalingen, kan det resultere i alvorlige personskader.

► Fig. 47

1. Løsne spaken og vipp sagbladet for å stille inn skråvinkelen (se avsnittet «Justere skråvinkelen»). Stram spaken godt igjen for å sikre skråvinkelen du har valgt.
2. Fest arbeidsstykket med skrustikken.
3. Slå på sagen uten at bladet er i kontakt med noe, og vent til bladet oppnår full hastighet.
4. Senk deretter forsiktig håndtaket til nedre stilling samtidig som du legger på trykk parallelt med bladet for å skjære i arbeidsstykket.
5. Når snittet er laget, må du slå av maskinen og vente til bladet har stoppet helt før du setter bladet tilbake i helt oppreist stilling.

OBS: Når du trykker ned håndtaket, må du trykke parallelt med bladet. Hvis du trykker i vertikal retning for dreiefoten, eller endrer trykkretningen mens du sager, vil snittet bli mindre presist.

Lamellsaging

Lamellsaging er prosessen hvor en skråvinkel lages samtidig som en gjæringsvinkel sages på et arbeids-emne. Kombinasjonssaging kan utføres i vinkelen som er angitt i tabellen.

Gjæringsvinkel	Skjæringsvinkel
Venstre og høyre 45°	Venstre og høyre 0° - 45°
Høyre 52°	Venstre 20° - høyre 45°
Venstre 52°	Venstre 45° - høyre 20°

Når du utfører kombisaging, finner du forklaringer i "Pressaging", "Gjærsaging" og "Skråskjæring".

Sage aluminiumsekstrudering

- **Fig. 48:** 1. Skrustikke 2. Avstandskloss
3. Føringsflate 4. Aluminiumsekstruderingen
5. Avstandskloss

Når du sikrer aluminiumsekstruderinger, må du bruke avstandsklosser eller biter av kapp, som vist i figuren, for å forhindre at aluminiumen deformeres. Bruk en skjærevæske når du sager aluminiumsekstruderingen for å forhindre at det legger seg aluminiumsstøv på bladet.

⚠ FORSIKTIG: Prøv aldri å skjære tykke eller runde aluminiumsekstruderinger. Tykke aluminiumsekstruderinger kan løsne under saging, og runde kan ikke sikres godt nok med denne sagen.

Sage samme lengde gjentatte ganger

Når du sager flere biter materiale i samme lengde, fra 200 mm til 330 mm, må du bruke innstillingsplaten (valgfritt tilbehør). Monter innstillingsplaten på holderen (valgfritt tilbehør) som vist i figuren.

- **Fig. 49:** 1. Innstillingsplate 2. Holder 3. Skrue

Tilpass skjærelinjen på arbeidsemnet ditt til enten venstre eller høyre side av spore i snittplaten. Hold arbeidsemnet og flytt innstillingsplatestrammeren mot enden av arbeidsemnet. Fest innstillingsplaten med skruen. Når innstillingsplaten ikke er i bruk, må du løsne skruen og dreie platen ut av veien.

Bærbart verktøy

⚠ ADVARSEL: Stopperstiften er kun beregnet for bæring og lagring og skal aldri brukes for sagsarbeid. Hvis du bruker stopperstiften når du sager, kan sagbladet gjøre uventede bevegelser. Dette kan forårsake tilbakeslag (kickback) som kan gi alvorlige personskader.

⚠ FORSIKTIG: Du må alltid sikre alle bevegelige deler før du bærer verktøyet. Hvis deler av maskinen kommer i bevegelse eller begynner å gli under når du bærer den, kan du miste balansen og det er fare for personskader.

1. Fjern batteriet.
2. Fest bladet i en vertikal gjæringsvinkel på 0°, og dreid dreiefoten til største mulige høyre gjæringsvinkel i horisontalplanet.
► **Fig. 50:** 1. Dreiefot
3. Senk hendelen helt og lås den i senket posisjon ved å skyve anslagsstiften inn.
4. Bær maskinen ved å holde i håndtaket.
► **Fig. 51**

VEDLIKEHOLD

⚠ ADVARSEL: Du må alltid sørge for at bladet er slipt og rent for best og sikrest mulig ytelse. Hvis du forsøker å kutte med et sløvt og/eller skittent blad, kan det oppstå tilbakeslag (kickback) som kan gi alvorlige personskader.

⚠ FORSIKTIG: Forviss deg alltid om at maskinen er slått av og batteriet tatt ut før du foretar inspeksjon eller vedlikehold.

OBS: Aldri bruk gasolin, bensin, tynner alkohol eller lignende. Det kan føre til misfarging, deformering eller sprekkdannelse.

For å opprettholde produktets SIKKERHET og PALITELIGHET, må reparasjoner, vedlikehold og justeringer utføres av autoriserte Makita servicesentre eller fabrikkservicesentre, og det må alltid brukes reservedeler fra Makita.

Justere skjærevinkelen

Denne saken er nøye justert og tilpasset ved fabrikken, men tøff bruk kan ha påvirket tilpasningen. Hvis saken din ikke er godt nok tilpasset, må du gjennomføre følgende:

Gjæringsvinkel

1. Løs festeskruen ved å skru den mot klokken.
2. Roter dreiefoten til pekeren viser 0° på gjæringskalaen.
▶ **Fig.52:** 1. Festeskruer 2. Dreiefot 3. Gjæringskala 4. Peker
3. Drei dreiefoten såvidt med klokken og deretter mot klokken, slik at dreiefoten glir inn i hakket på 0° horisontal gjæringsvinkel. (Ikke gjør endringer om viseren ikke viser 0°.)
4. Bruk sekskantnøkkelen for å løsne sekskantskruen som sikrer føringsvernet.
▶ **Fig.53:** 1. Føringsflate 2. Sekskantbolt
▶ **Fig.54:** 1. Føringsflate 2. Sekskantbolt
5. Senk hendelen helt og lås den i senket posisjon ved å skyve anslagsstiften inn.
6. Juster føringsflaten til den danner en rett vinkel med bladet ved hjelp av en trekantlinjal, vinkelhake el. I. Stram så unbrakoskruen på føringsvernet godt.
▶ **Fig.55:** 1. Føringsflate 2. Trekantlinjal 3. Sagblad
7. Sørg for at pekeren viser 0° på gjæringskalaen. Hvis pekeren ikke viser 0°, må du løsne skruen som fester pekeren og justere pekeren slik at den viser 0°.
▶ **Fig.56:** 1. Skruer 2. Gjæringskala 3. Peker

Skjæringsvinkel

0° skjæringsvinkel

1. Senk hendelen helt og lås den i senket posisjon ved å skyve anslagsstiften inn.
2. Løsne spaken på baksiden av maskinen.
3. Drei justeringsskruen for 0° skjæringsvinkel på høyre side av saghodet to eller tre omdreininger med klokken for å vippe bladet mot høyre.
▶ **Fig.57:** 1. Justeringsskruer 2. Spak
4. Drei justeringsskruen for 0° skjæringsvinkelen forsiktig, til siden av bladet danner en rektangulær vinkel med overflaten av dreiefoten. Bruk trekantlinjalen, ansatslinjalen osv. som føring. Stram spaken godt etterpå.
▶ **Fig.58:** 1. Trekantlinjal 2. Sagblad 3. Overflate av dreiefot
5. Forsikre deg om at pekeren på armen viser 0° på skråvinkelskalaen. Hvis den ikke viser 0°, må du løsne skruen som fester pekeren og justere pekeren slik at den viser til 0°.
▶ **Fig.59:** 1. Skruer 2. Peker 3. Skråvinkelskala

45° skjæringsvinkel

- Juster 45°-skråvinkelen først etter at du har justert 0°-skråvinkelen.
1. Løsne spaken og vipp bladet så langt som mulig mot venstre.
 2. Forsikre deg om at pekeren på armen indikerer 45° på skråvinkelskalaen. Hvis pekeren ikke viser 45°, må du dreie justeringsskruen for 45° skjæringsvinkel på høyre side av armen til pekeren indikerer 45°.
▶ **Fig.60:** 1. Høyre justeringsskruer for 45° skjæringsvinkel 2. Peker 3. Venstre justeringsskruer for 45° skjæringsvinkel
 3. Vipp bladet helt ut til høyre og juster skjæringsvinkelen til 45° ved hjelp av den høyre justeringsskruen for 45° skjæringsvinkel.
▶ **Fig.61:** 1. Sagblad 2. Trekantlinjal

Justere laserlinjeposisjonen

⚠ ADVARSEL: Batteriet må være satt inn i saken når du justerer laserlinjen. Vær ekstra forsiktig for å unngå å slå på verktøyet mens du justerer. Hvis verktøyet utilsikket slås på, vil det være fare for alvorlige personskader.

⚠ FORSIKTIG: Aldri se direkte inn i laserstrålen. Øynene kan få alvorlige skader hvis de treffes direkte av laserstrålen.

OBS: Kontroller laserlinjeposisjonens nøyaktighet regelmessig.

OBS: Vær oppmerksom på slag mot verktøyet. Det kan føre til at laserlinjen blir skjev eller at laseren skades og får kortere levetid.

OBS: Hvis det oppdages feil på laserenheten, må verktøyet repareres av et autorisert Makita-verksted.

Laserlinjens bevegelsesområde avgjøres av avstandsjusteringskruene på begge sider. Utfør følgende prosedyrer for å endre laserlinjeposisjonen.

1. Fjern batteriet.
2. Tegn opp en skjærelinje på arbeidsstykket, og plasser det på dreiefoten. Ikke sikre arbeidsstykket med skrustikke eller lignende festeinnretning på dette tidspunktet.
3. Senk hendelen, og innrett skjærelinjen med sagbladet.
► **Fig.62:** 1. Skjærelinje
4. Sett hendelen tilbake i opprinnelig stilling, og sikre arbeidsstykket med den vertikale skrustikken slik at arbeidsstykket ikke beveger seg fra stillingen som du har valgt.
► **Fig.63:** 1. Skrustikke
5. Sett batteriet i sagen og slå på laserbryteren.
6. Løsne justeringsskruen. Hvis du vil bevege laserlinjen bort fra bladet, dreier du avstandsjusteringskruene mot klokken. Hvis du vil bevege laserlinjen nærmere bladet, dreier du avstandsjusteringskruen med klokken.

Justere laserlinjen på venstre side av bladet

- **Fig.64:** 1. Justeringsskrue
2. Avstandsjusteringskrue
3. Sekskantnøkkel 4. Laserlinje 5. Sagblad

Justere laserlinjen på høyre side av bladet

- **Fig.65:** 1. Avstandsjusteringskrue
2. Sekskantnøkkel 3. Laserlinje 4. Sagblad

7. Skyv justeringsskruen til stillingen der laserlinjen kommer inn i skjærelinjen, og stram til.

MERK: Laserlinjens bevegelsesområde er fabrikkjustert på 1 mm fra sideflaten på bladet.

Rengjøre laserlinsen

Laserlyset blir vanskelig å se etter hvert som laserlysets linse blir tilsmusset. Rengjør laserlysets linse regelmessig.

Fjern batteriet. Løsne skruen, og dra ut linsen. Rengjør linsen forsiktig med en fuktig, myk klut.

- **Fig.66:** 1. Skrue

- **Fig.67:** 1. Linse

OBS: Ikke fjern skruen som holder linsen på plass. Hvis du ikke klarer å få ut linsen, løsner du skruen litt mer.

OBS: Ikke bruk løsemidler eller petroleumbaserte rengjøringsmidler på linsen.

Etter bruk

Etter bruk, må du tørke av fliser og støv som kleber til sagen med en klut eller lignende. Hold bladvernet rene i henhold til instruksjonene i avsnittet «Bladvern». Smør glidedelene med maskinolje for å hindre at maskinen rustet.

VALGFRITT TILBEHØR

⚠ADVARSEL: Det anbefales at du bruker dette Makita-tilbehøret sammen med den Makita-maskinen som er spesifisert i denne håndboken. Hvis du bruker andre typer tilleggsutstyr eller tilbehør, kan det oppstå alvorlige personskader.

⚠ADVARSEL: Makita-tilleggsutstyret og -tilbehøret skal kun brukes for det formål det er beregnet for. Hvis tilleggsutstyret eller tilbehøret brukes på en annen måte eller for andre formål enn det som er angitt, kan det oppstå alvorlige personskader.

Ta kontakt med ditt lokale Makita-servicesenter hvis du trenger mer informasjon om dette tilbehøret.

- Sagblad med karbidspisser
- Holderstangenhet
- Innstillingsplate
- Skulderstropp
- Makita originalbatteri og lader

MERK: Enkelte elementer i listen kan være inkludert som standardtilbehør i verktøypakken. Elementene kan variere fra land til land.

TEKNISEET TIEDOT

Malli:	DL5600
Terän halkaisija	165 mm
Reiän (karan) halkaisija	20 mm
Suurin jirauskulma	Vasen 52°, Oikea 52°
Suurin viistekulma	Vasen 45° (46° käytettäessä vapautusvipua), Oikea 45° (46° käytettäessä vapautusvipua)
Kuormittamaton kierrosnopeus	5 000 min ⁻¹
Lasertyyppi	Punainen laser 650 nm, Maksimiteho < 1,6 mW (Laserluokka 2M)
Mitat (P x L x K)	340 mm x 400 mm x 440 mm
Nimellisjännite	DC 18 V
Vakio akkupaketti	BL1815N / BL1820 / BL1820B / BL1830 / BL1830B / BL1840 / BL1840B / BL1850 / BL1850B / BL1860B
Laturi	DC18RC / DC18RD / DC18SD / DC18SE / DC18SF
Nettopaino	6,3 - 6,6 kg

Maksimisahauskapasiteetti (K x L) terällä 165 mm

Jiirikulma	Kallistuskulma		
	45° (vasen)	0°	45° (oikea)
0°	30 mm x 92 mm	46 mm x 92 mm	15 mm x 92 mm
45° (vasen ja oikea)	30 mm x 65 mm	46 mm x 65 mm	15 mm x 65 mm

- Jatkuvasta tutkimus- ja kehitystyöstämme johtuen esitetyt tekniset tiedot saattavat muuttua ilman erillistä ilmoitusta.
- Tekniset tiedot ja akkupaketti voivat vaihdella maittain.
- Paino voi olla erilainen lisävarusteista sekä akusta johtuen. EPTA-menettelytavan 01/2014 mukaisesti, taulukossa on kuvattu kevyin ja painavin laiteyhdistelmä.

Symbolit

Laitteessa on käytetty seuraavia symboleja. Opettele niiden merkitys ennen käyttöä.



Lue käyttöohje.



Pidä sahan pää sahausksen jälkeen alhaalla, kunnes saha on kokonaan pysähtynyt. Näin vältät lentävien roskien aiheuttaman loukkaantumisen.



Älä laita käsiä tai sormia terän lähelle.



Älä koskaan katso lasersäteeseen. Suora ja välitön lasersäde voi vahingoittaa silmiäsi.



Koskee vain EU-maita
Älä hävitä sähkölaitteita tai akkuja tavallisen kotitalousjätteen mukana!
Sähkö- ja elektroniikkalaiteromua koskevan EU-direktiivin ja paristoja ja akkuja sekä käytettyjä paristoja ja akkuja koskevan direktiivin ja niiden maakohtaisten sovellusten mukaisesti käytetyt sähkölaitteet ja akut on toimitettava ongelmajätteen keräyspisteeseen ja ohjattava ympäristöystävälliseen kierrätykseen.

Käyttötarkoitus

Työkalu on tarkoitettu puun tarkkaan suoraan sahausseen ja jiirisahaukseen.

Älä sahaa muuta kuin puuta, alumiinia tai vastaavia materiaaleja.

Melutaso

Tyypillinen A-painotettu melutaso määräytyy standardin EN62841 mukaan:

Äänenpainetaso (L_{pA}) : 90 dB (A)

Äänen voiman taso (L_{WA}) : 97 dB (A)

Virhemarginaali (K): 3 dB (A)

VAROITUS: Käytä kuulosuojaimia.

Tärinä

Kokonaistärinä (kolmen akselin vektorien summa) määräytyy standardin EN62841 mukaan:

Tärinäpäästö (a_h) : 2,5 m/s² tai alhaisempi

Virhemarginaali (K): 1,5 m/s²

HUOMAA: Ilmoitettu tärinäpäästöarvo on mitattu standarditestausmenetelmän mukaisesti, ja sen avulla voidaan vertailla työkaluja keskenään.

HUOMAA: Ilmoitettua tärinäpäästöarvoa voidaan käyttää myös altistumisen alustavaan arviointiin.

VAROITUS: Työkalun käytön aikana mitattu todellinen tärinäpäästöarvo voi poiketa ilmoitetusta tärinäpäästöarvosta työkalun käyttötavan mukaan.

VAROITUS: Selvitä käyttäjän suojaamiseksi tarvittavat varoitimet todellisissa käyttöolosuhteissa tapahtuvan arvioidun altistumisen mukaisesti (ottaen huomioon käyttöjakso kokonaisuudessaan, myös jaksot, joiden aikana työkalu on sammutettuna tai käy tyhjäkäynnillä).

EY-vaatimustenmukaisuusvakuutus

Koskee vain Euroopan maita

EY-vaatimustenmukaisuusvakuutus on liitetty tähän käyttöoppaaseen.

TURVAVAROITUKSET

Sähkötyökalujen käyttöä koskevat yleiset varoitukset

VAROITUS: Tutustu kaikkiin tämän sähkötyökalun mukana toimitettuihin varoituksiin, ohjeisiin, kuviin ja teknisiin tietoihin. Seuraavassa lueteltujen ohjeiden noudattamatta jättäminen saattaa johtaa sähköiskuun, tulipaloon tai vakavaan vammautumiseen.

Säilytä varoitukset ja ohjeet tulevaa käyttöä varten.

Varoituksissa käytettävällä termillä "sähkötyökalu" tarkoitetaan joko verkkovirtaa käyttävää (johdollista) työkalua tai akkukäyttöistä (johdotonta) työkalua.

Jiirisahaaja koskevat turvallisuusohjeet

- Jiirisahat ovat tarkoitettu puun ja puutuotteiden sahaukseen. Niitä ei voi käyttää katkaisuhomaleikkokojen kanssa rautamateriaalien sahaukseen, kuten varret, tangot, karat jne.** Hiomapöly aiheuttaa liikkuvien osien, kuten alasuojuksen jumiutumisen. Katkaisusta muodostuvat kipinät polttavat alasuojuksen, itse sahanterän hampaan sekä muita muoviosia.
- Kiinnitä työkalupale paikalleen puristimia käyttämällä aina, kun se on mahdollista. Jos työkalupaletta tuetaan käsin, pidä kätesi aina vähintään 100 mm etäisyydellä sahanterän sivuilta. Älä käytä tätä laitetta liian pienien kappaleiden sahaukseen, joita ei voi kiinnittää luotettavasti paikalleen tai pitää käsin kiinni.** Jos kätesi on liian lähellä sahanterää, teräkosketuksesta aiheutuu tapaturmariski kasvaa.

- Työkappaleen täytyy olla paikallaan ja kiinnitettyä, tai pidettynä kiinni sekä ohjauskiskoa ja pöytää vasten. Älä syötä työkalupaletta terälle tai suorita sahausta "vapaalla kädellä" missään tilanteessa.** Lukitsemattomat tai liikkuvat työkalupaleet voivat sinkoutua käyttäjää kohti suurella nopeudella aiheuttaen henkilövahinkoja.
- Älä aseta käsiäsi sahausviivalle, sahanterän etu- tai takapuolelle.** Työkappaleen tukeminen "poikittaisella kädellä" ts. työkalupaleen pitäminen oikealta puolelta vasemmalla kädellä tai painavoiton erittäin vaarallista.
- Kuva1**
- Älä kurkota suojan taakse kummallakaan kädellä 100 mm lähempänä terää, puukappaleiden poistamiseksi tai mistään muusta syystä terän pyöriessä.** Pyörivän terän läheisyys suhteessa käsiisi ei ehkä ole selvä ja tämä voi johtaa vakavaan henkilövahinkoon.
- Tarkasta työkalupale ennen sahaamisen aloittamista. Jos työkalupale on taipunut tai kiertynyt, kiinnitä se taipuneen osan ulkopuoli suojaa vasten. Varmista aina, että työkalupaleen, ohjauskiskon ja pöydän välillä ei ole rakoa sahausviivalla.** Taipuneet tai kiertyneet työkalupaleet voivat liikkua ja aiheuttaa pyörivän sahanterän juuttumisen sahausksen aikana. Työkappaleessa ei saa olla nauloja tai muita vieraita esineitä.
- Älä käytä sahaa, ennen kuin pöydällä ei ole työkaluja, puunkappaleita jne., itse työkalupaleen lisäksi.** Pyörivään terään koskettavat pienet roskat tai irtonaiset puunkappaleet tai muut esineet voivat sinkoutua ulos suurella nopeudella.
- Sahaa ainoastaan yksi työkalupale kerrallaan.** Pinottuja työkalupaleita ei voida kiinnittää kunnolla ja ne voivat juuttua terään tai liikkua sahausksen aikana.
- Varmista ennen jiirisahan käyttöä, että se on asennettu tai sijoitettu tasaisen ja tukevan pinnan päälle.** Tasainen ja tukeva pinta alentaa jiirisahan epätasapainoa.
- Suunnittele työsi. Joka kerta kun vaihdat viiste- tai jiirikulmaa varmista, että säädettävä ohjauskisko on asetettu oikein tukemaan työkalupaletta eikä häiritse terää tai suojajärjestelmää.** Ilman, että kone on "PÄÄLLÄ" ja sen pöydällä ei ole työkalupaletta, suorita sahausko varmistaaksesi, että ohjauskisko ei häiritse sahausta tai sitä ei sahata.
- Asenna tarvittavat tuet, kuten pöydän katkeet, sahakupit jne., pöydän pintaa pidemmille tai leveämmille työkalupaleille.** Jiirisahan pöytä pidemmät tai leveämmät työkalupaleet voivat kaataa, jos niitä ei ole tuettu kunnolla. Jos katkaistu osa tai työkalupale putoaa, voi se nostaa alasuojan ylös tai sinkoutua pyörivän terän voimasta.
- Älä käytä toista henkilöä pöydän jatkan sijaan tai lisätukena.** Epävakaa työkalupaleen tuki voi johtaa terän jumiutumiseen tai työkalupaleen liikkumiseen sahausksen aikana ja vetää sinut tai avustajan terää kohti.
- Irti sahattu osa ei saa juuttua tai painua pyörivää sahanterään vasten.** Jos puristuksissa, esim. pituusrajottimien käytön aikana, sahattu osa voi kiilautua terää vasten ja sinkoutua ulos voimalla.

14. Käytä aina pyöreiden esineiden, kuten tankojen tai putkien kiinnittintä tai kannatinta. Tangoilla on taipumus rullata sahauskes aikana, jolloin terä ”puree” kiinni ja vetää työkappaleen ja kätesi terää kohti.
15. Anna terän saavuttaa maksiminopeus ennen koskettamista työkappaleeseen. Tämä alentaa työkappaleen sinkoutumisen vaaraa.
16. Jos työkappale tai terä takertuu tai jumiuutu, sammuta jirrisaha. Odota, että kaikki liikkuvat osat ovat pysähtyneet, irrota virtapistoke virtalähteestä ja/ tai irrota akku. Tämän jälkeen vapautu jumiutunut materiaali. Sahaamisen jatkaminen kiinnitkertuneella ja jumiutuneella työkappaleella voi aiheuttaa jirrisahan hallinnan menettämisen tai vaurioitumisen.
17. Kun sahaus on valmis, vapautu kytkin, pidä sahapäätä alhaalla ja odota, kunnes terä on pysähtynyt ennen katkaistun kappaleen poistamista. Käsiäsi kurottaminen pyörivän terän lähelle on vaarallista.
18. Pidä kahvasta tiukasti kiinni epätäydellisen sahausyhteydessä tai kun kytkin vapautetaan ennen kuin sahapäätä on täysin alhaalla. Sahan jarrutustoiminto voi aiheuttaa sahapään vetämisen äkillisesti alaspäin ja johtaa tapaturmaan.
19. Käytä vain sahanteriä, joiden halkaisija on sama kuin työkaluun merkitty tai ohjekirjassa mainittu. Vääräkokoisien terän käyttäminen voi vaikuttaa terän suojausten tai itse terän toimivuuteen ja aiheuttaa vakavia vammoja.
20. Käytä vain sahanteriä, joiden merkitty nopeus on vähintään yhtä suuri tai i suurempi kuin työkaluun merkitty nopeus.
21. Älä sahaa muuta kuin puuta, alumiinia tai vastaavia materiaaleja.
22. (Ainoastaan Euroopan valtiot)
Käytä aina sahanteriä, jotka noudattavat standardin EN847-1 vaatimuksia.
9. Käytä ainoastaan tälle laitteelle tarkoitettuja laippoja.
10. Ole varovainen, ettei vahingoita karaa, laippoja (erityisesti asennuspintaa) tai pulttia. Näiden osien vaurioituminen voi aiheuttaa terän rikkoutumisen.
11. Varmista, että kääntöalusta on kiinnitetty kunnonlla, ettei se liiku käytön aikana. Käytä alustan reikiä sahan kiinnittämiseksi kestäväään työpöytä tai työpenkkiin. ÄLÄ koskaan käytä laitetta jos käyttäjän asento on hankala.
12. Varmista, että akselilukko on avattu, ennen kun virta kytketään päälle.
13. Varmista, ettei terä kosketa kääntöalustaa alimmassa kohdassa.
14. Ota koneesta luja ote. Huomioi, että saha liikkuu hieman ylös- tai alaspäin käynnistettäessä ja pysäytettäessä sitä.
15. Varmista, että terä ei kosketa työkappaletta, ennen kuin painat kytkintä.
16. Anna koneen käydä jonkin aikaa, ennen kuin alat työstää työkappaletta. Varmista, ettei työkappale tärise tai heilu, mikä voi johtua huonosta asennuksesta tai huonosti tasapainotetusta terästä.
17. Lopeta käyttö heti, jos havaitset mitään epänormaalia.
18. Älä yritä lukita liipaisinta asentoon ”PÄÄLLÄ”.
19. Käytä vain tässä ohjeessa suositeltuja lisävarusteita. Sopimattomien lisävarusteiden, esimerkiksi hiomalaikkojen käyttö voi aiheuttaa tapaturman.
20. Jotkin materiaalit sisältävät kemikaaleja, jotka voivat olla myrkyllisiä. Vältä pölyn sisäänhengittämistä ja ihokosketusta. Noudata materiaalin toimittajan turvaohjeita.

Lisäohjeet

1. Käytä riippulukkoja työpaikan lapsiturvallisuuden varmistamiseksi.
2. Älä seiso laitteen päällä. Mikäli kone kallistuu tai leikkuuterään kosketaan vahingossa voi seurauksena olla vakavia henkilövahinkoja.
3. Älä jätä käynnissä olevaa laitetta ilman valvontaa. Katkaise aina virta. Älä jätä laitetta ilman valvontaa ennen kuin terä on täysin pysähtynyt.
4. Älä käytä sahaa ilman suojuksia. Varmista terän suojuksen sulkeutuminen ennen jokaista käyttökertaa. Älä käytä sahaa, jos terän suojuus ei liiku vapaasti ja sulkeudu välittömästi. Älä koskaan kiristä tai sido terän suojusta asentoon Auki.
5. Pidä kädet poissa sahanterän liikeradalta. Vältä koskettamista rullaavaa terää. Se voi aiheuttaa vakavan onnettomuuden.
6. Kiinnitä kaikki liikkuvat osat aina ennen laitteen kuljetusta.
7. Lukitustappi, joka lukitsee leikkausterän, on tarkoitettu vain kantamiseen ja säilytykseen eikä sitä ole tarkoitettu leikkauskäyttöön.
8. Tarkista, ettei terässä ole halkeamia tai muita vikoja, ennen kuin aloitat työskentelyn. Vaihda haljennut tai vahingoittunut terä välittömästi. Terään kovettunut pihka hidastaa sahaamista ja lisää takapotkun vaaraa. Pidä terä puhtaana irrottamalla se sahasta ja puhdistamalla pihkanpoistoaineella, kuumalla vedellä tai petroliilla. Älä käytä bensiniä terän puhdistamiseen.

Laseriala koskevat lisäturvaohjeet

1. LASERSÄTEILY, ÄLÄ TUJOTA SÄTEESEEN TAI KATSO SUORAAN OPTISILLA LAITTEILLA, 2M-LUKOKAN LASERTUOTE.

SÄILYTÄ NÄMÄ OHJEET.

VAROITUS: ÄLÄ anna työkalun helppokäyttöisyyden (toistuvan käytön aikaansaama) johtaa sinua väärään turvallisuuden tunteeseen niin, että laiminlyöt työkalun turvaohjeiden noudattamisen. VÄÄRINKÄYTTÖ tai tässä käyttöohjeessa ilmoitettujen turvämääräysten laiminlyönti voi aiheuttaa vakavia henkilövahinkoja.

Akkupakettia koskevia tärkeitä turvaohjeita

1. Ennen akun käyttöönottoa tutustu kaikkiin laturissa (1), akussa (2) ja akkukäyttöisessä tuotteessa (3) oleviin varoitusteksteihin.
2. Älä pura akku.
3. Jos akun toiminta-aika lyhenee merkittävästi, lopeta akun käyttö. Seurauksena voi olla ylikuumeneminen, palovammoja tai jopa räjähdys.
4. Jos akkuneustettua pääsee silmiin, huuhtelee puhtaalla vedellä ja hakeudu välittömästi lääkärin hoitoon. Akkuneuste voi aiheuttaa näön menetyksen.

5. Älä oikosulje akkua.
- Älä koske akun napoihin millään sähköä johtavalla materiaalilla.
 - Vältä akun oikosulkemista äläkä säilytä akkua yhdessä muiden metalliesineiden, kuten naulojen, kolkoiden ja niin edelleen kanssa.
 - Älä aseta akkua alttiiksi vedelle tai sateelle.

Oikosulku voi aiheuttaa virtapiikin, ylikuumentumista, palovammoja tai laitteen rikkoutumisen.

6. Älä säilytä työkalua ja akkua paikassa, jossa lämpötila voi nousta 50 °C:een tai sitäkin korkeammaksi.
7. Älä hävitä akkua polttamalla, vaikka se olisi pahoin vaurioitunut tai täysin loppuun kulunut. Avotuli voi aiheuttaa akun räjähtämisen.
8. Varo kolhimasta tai pudottamasta akkua.
9. Älä käytä viallista akkua.
10. Sisältyviä litium-ioni-akkuja koskevat vaarallisten aineiden lainsäädännön vaatimukset. Esimerkiksi kolmansien osapuolten huolintaliikkeiden tulee kaupallisissa kuljetuksissa noudattaa pakkaamista ja merkintöjä koskevia erityisvaatimuksia. Lähetettävän tuotteen valmistelu edellyttää vaarallisten aineiden asiantuntijan neuvontaa. Huomioi myös mahdollisesti yksityiskohtaisemmat kansalliset määräykset
- Akun avoimet liittimet tulee suojata teipillä tai suojuksella ja pakkaaminen tulee tehdä niin, ettei akku voi liikkua pakkauksessa.

11. Hävitä akku paikallisten määräysten mukaisesti.

SÄILYÄ NÄMÄ OHJEET.

⚠HUOMIO: Käytä vain alkuperäisiä Makita-akkuja. Muiden kuin aitojen Makita-akkujen, tai mahdollisesti muutettujen akkujen käyttö voi johtaa akun murtumiseen ja aiheuttaa tulipaloja, henkilö- ja omaisuusvahinkoja. Se mitätöi myös Makita-työkalun ja -laturin Makita-takuun.

Vihjeitä akun käyttöiän pidentämiseksi

- Lataa akku ennen kuin se purkautuu täysin. Lopeta aina työkalun käyttö ja lataa akku, jos huomaat työkalun tehon vähenevän.
- Älä koskaan lataa uudestaan täysin ladattua akkua. Ylilataaminen lyhentää akun käyttöikä.
- Lataa akku huoneen lämpötilassa välillä 10 °C - 40 °C. Anna kuuman akun jäähtyä ennen lataamista.
- Lataa akkupaketti, jos et käytä sitä pitkään aikaan (yli kuusi kuukautta).

OSIEN KUVAUS

► Kuva2

1	Lukon vapautuspainike	2	Liipaisinkytkin	3	Kahva	4	Teräkotelo
5	Terä	6	Teräsuojus	7	Apuohjain	8	Pieni apuohjain
9	Alusta	10	Kääntöalusta	11	Sahasvaste	12	Pystysuuntainen kappalepuristin
13	Pölypussi	14	Pölysuutin	15	Keskisuojus	-	-

► Kuva3

16	Lamppu	17	Akku	18	Kuusioavain	19	Vapautusvipu
20	Vipu (viistokulman säätö)	21	Lovilauta	22	Alarajan säätöpultti	23	Lampun kytkin
24	Laserkytkin	-	-	-	-	-	-

ASENNUS

Penkin kiinnittäminen

⚠VAROITUS: Varmista, ettei työkalu pääse liikkumaan tukipinnalla. Jos jiirisaha pääsee liikkumaan tukipinnalla sahaamisen aikana, seurauksena voi olla työkalun hallinnan menettäminen ja vakava henkilövahinko.

- Kiinnitä pohja tasaiselle ja vakaalle pinnalle, ruuvaamalla kahdella pultilla. Näin ehkäiset kaatumisen ja mahdollisen tapaturman.

► **Kuva4:** 1. Lankkuliitosterä

TOIMINTOJEN KUVAUS

VAROITUS: Varmista aina ennen säätöjä tai tarkastuksia, että laite on sammutettu ja akku on irrotettu. Jos virtaa ei katkaista eikä akkua irroteta, työkalu voi käynnistyä vahingossa ja aiheuttaa vakavan tapaturman.

Akun asentaminen tai irrottaminen

HUOMIO: Sammuta työkalu aina ennen akun kiinnittämistä tai irrottamista.

HUOMIO: Pidä työkalusta ja akusta tiukasti kiinni, kun irrotat tai kiinnität akkua. Jos akkupaketti tai työkalu putoaa, ne voivat vaurioitua tai aiheuttaa tapaturman.

- **Kuva5:** 1. Punainen merkkivalo 2. Painike 3. Akkupaketti

Irrota akku painamalla akku etupuoella olevaa painiketta ja vetämällä akku ulos työkalusta.

Akku liitetään sovittamalla akun kieleke rungon uraan ja työntämällä se sitten paikoilleen. Työnnä akku pohjaan asti niin, että kuulet sen napsahtavan paikoilleen. Jos painikkeen yläpuolella näkyy punainen ilmaisin, akku ei ole lukkiutunut täysin paikoilleen.

HUOMIO: Työnnä akku aina pohjaan asti, niin että punainen ilmaisin ei enää näy. Jos akku ei ole kunnolla paikallaan, se voi pudota työkalusta ja aiheuttaa vammoja joko sinulle tai sivullisille.

HUOMIO: Älä käytä voimaa akun asennuksessa. Jos akku ei liu'u paikalleen helposti, se on väärässä asennossa.

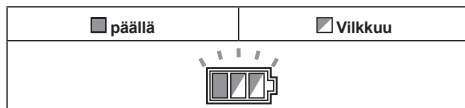
Työkalun/akun suojausjärjestelmä

Työkalu on varustettu työkalu/akun suojausjärjestelmällä. Tämä järjestelmä pidentää työkalun ja akun käyttöikää katkaisemalla automaattisesti moottorin virran. Työkalu pysähtyy automaattisesti kesken käytön, jos työkalussa tai akussa ilmenee jokin seuraavista tilanteista:

Ylikuormitussuoja

Kun työkalua käytetään tavalla, joka saa sen kuluttamaan epätavallisen suuren määrän virtaa, työkalu pysähtyy automaattisesti ilman mitään merkkivaloa tai ilmaisinta. Katkaise tässä tilanteessa työkalusta virta ja lopeta ylikuormitustilan aiheuttanut käyttö. Käynnistä sitten työkalu uudelleen kytkemällä siihen virta.

Ylikuumenemissuoja



Kun työkalu ylikuumentuu, työkalu pysähtyy automaattisesti ja akun merkkivalo vilkkuu noin 60 sekunnin ajan. Anna silloin työkalun jäähtyä, ennen kuin kytket työkalun uudelleen päälle.

Ylipurkautumissuoja

Jos akun varaus käy vähiin, työkalu pysähtyy automaattisesti. Jos työkalu ei toimi, vaikka kytkimiä käytetään, irrota akut työkalusta ja lataa ne.

Lukituksen vapautus suojajärjestelmän toimesta

Jos suojajärjestelmä aktivoituu toistuvasti, laite lukittuu ja akun merkkivalo vilkkuu.










Tässä tilanteessa sammuta laite ja poista suojajärjestelmän aktivoinnin aiheuttaja. Tämän jälkeen käynnistä laite uudelleen. Jos laite ei toimi, vaikka se on käynnistetty kytkimellä, irrota akku ja lataa se.

Akun jäljellä olevan varustason ilmaisin

- **Kuva6:** 1. Akun merkkivalo

Kun liipaisinkytkintä painetaan, akun merkkivalo näyttää akun jäljellä olevan akkukapasiteetin.

Akun merkkivalon tila			Akussa jäljellä oleva varaus
 Päällä	 Pois päältä	 Viikkuu	
			50 % - 100 %
			20 % - 50 %
			0 % - 20 %
			Lataa akku

Akun jäljellä olevan varaustason ilmaisin

Vain akkupaketeille ilmaisimella

► **Kuva7:** 1. Merkkivalot 2. Tarkistuspainike

Painamalla tarkistuspainiketta saat näkyviin akun jäljellä olevan varauksen. Merkkivalot palavat muutaman sekunnin ajan.

Merkkivalot			Akussa jäljellä olevan varaus
Palaa	Pois päältä	Viikkuu	
■	□	▤	75% - 100%
■	■	■	
■	■	□	
■	□	□	
■	□	□	
■	□	□	25% - 50%
■	□	□	0% - 25%
▤	□	□	Lataa akku.
■	■	□	Akussa on saattanut olla toimintahäiriö.
□	□	■	

HUOMAA: Ilmoitettu varaustaso voi erota hieman todellisesta varaustasosta sen mukaan, millaisissa oloissa ja missä lämpötilassa laitetta käytetään.

Automaattinen nopeudenvaihtotoiminto

► **Kuva8:** 1. Tilan merkkivalo

Tilan merkkivalon tila	Toimintatila
	Suurnopeustila
	Suuren vääntömomentin tila

Tässä työkalussa on "suuren nopeuden tila" ja "suuren vääntömomentin tila". Se muuttaa toimintatilaa automaattisesti kuormituksen mukaan. Kun toimintatilan merkkivalo syttyy käytön aikana, työkalu on suuren vääntömomentin tilassa.

Rajoitintappi

HUOMIO: Pidä aina kahvasta vapauttaessasi rajoitintappin. Muuten kahva ponnahtaa ylös ja saattaa aiheuttaa henkilövahinkoja.

Vapauta rajoitintappi painamalla kahvaa kevyesti alaspäin samalla, kun vedät tapin ulos.

► **Kuva9:** 1. Rajoitintappi

Teräsuojus

VAROITUS: Älä koskaan ohita tai poista teräsuojusta tai siihen kiinnittyvää joustia. Jos laitetta käytetään terän jäädessä ilman suojusta, seurauksena voi olla vakava henkilövahinko.

VAROITUS: Älä koskaan käytä työkalua, jos teräsuojus tai jousi on vahingoittunut, viallinen tai irronnut. Jos työkalua käytetään, vaikka suojusta on vahingoittunut, viallinen tai irronnut, seurauksena voi olla vakava henkilövahinko.

HUOMIO: Pidä teräsuoja aina hyvässä käyttökunnossa turvallisen käytön varmistamiseksi. Lopeta käyttö välittömästi, jos teräsuojassa ilmenee jotain epätavallista. Tarkista varmistaaksesi suojuksen jousenpaluu toiminta.

► **Kuva10:** 1. Teräsuojus

Kun lasket kahvaa, teräsuojus nousee automaattisesti. Teräsuojus on jousitettu, joten ne palautuvat alkuperäiseen asentoonsa, kun leikkaus on valmis ja kahva nostettu.

Puhdistus

► **Kuva11:** 1. Teräsuojus

Jos läpinäkyvä teräsuojus likaantuu tai siihen kertyy sahanpurua siten, ettei terää ja/tai työkalupäätä enää näy, irrota akkupaketti ja puhdista suojusta huolellisesti kostealla liinalla. Älä käytä liuottimia äläkä öljypohjaisia puhdistusaineita, sillä ne voivat vahingoittaa muovista suojusta.

Nosta teräsuojusta puhdistusta varten ohjeen "terän asentaminen tai poistaminen" mukaan. Varmista puhdistuksen jälkeen, että palautat terän ja keskikannen ja kiristä kuusiokolopultti.

1. Varmista, että laitteen virta on sammutettu ja akku on irrotettu.
2. Käännä kuusiokolopulttia vastapäivään mukana toimitettua kuusioavainta käyttäen ja pitämällä keskikantaa.
3. Nosta teräsuojus ja keskikansi.
4. Kun puhdistus on suoritettu, palauta keskikansi ja kiristä kuusiokolopultti suorittamalla edellä mainitut vaiheet päinvastaisessa järjestyksessä.

VAROITUS: Älä poista joustia pitävää teräsuojusta. Jos suojusta vaurioituu iän tai ultraviolettivalolle altistumisen myötä, ota yhteys Makitan huoltopisteeseen hankkiaksesi uuden suojuksen. **ÄLÄ ESTÄ SUOJUUKSEN KÄYTTÖÄ TAI POISTA SITÄ.**

Kitapalan sijoittaminen

Työkalu annetaan kääntöalustassa olevien kitapalojen kanssa minimoimaan leikkauksen poistumispuolen repimistä. Kitapalat ovat tehtaan säätämiä, jotta sahanterä ei koskettaisi kitapaloja. Säädä kitapalat ennen käyttöä seuraavasti:

1. Varmista, että poistat akkupaketin. Löysää kaikki uurrastasoja paikallaan pitävät ruuvit (2 ruuvia sekä vasemmalla että oikealla).

► **Kuva12:** 1. Lovilautu 2. Ruuvi

2. Kiristä niitä vain sen verran, että uurrestasoja voi edelleen helposti siirtää käsin.

3. Laske kahva kokonaan alas ja lukitse se sitten ala-asentoon työntämällä rajoitintappi sisään.

4. Säädä uurrestasot siten, että uurrestasot juuri ja juuri koskettavat terän hampaiden syrjä.

► **Kuva13**

► **Kuva14:** 1. Sahanterä 2. Terän hampaat
3. Lovilauta 4. Vasen viisteileikkaus
5. Leikkaaminen vaakasunnassa

5. Kiristä ruuvit (älä kiristä liikaa).

6. Kun uurrestasojen säätö on tehty, vapauta rajoitintappi ja nosta kahva. Kiristä sitten kaikki ruuvit tiukasti.

HUOMAUTUS: Varmista viistekulman asettamisen jälkeen, että kitapalat on säädetty oikein. Kun kitapalat on säädetty oikein, työköppäle pysyy tukevasti paikallaan eikä repeydy helposti irti.

Parhaan sahauskyvyn ylläpitäminen

Tämä työkalu on säädetty tehtaalla siten, että se tarjoaa suurimman mahdollisen sahauskyvyn 165 mm:n sahanterällä.

Kun asennat uuden terän, tarkista aina terän ala-asennon raja ja säädä tarvittaessa seuraavasti:

1. Poista akku. Laske kahva täysin alas.

2. Käytä kuusioavainta kääntääksesi alarajan säätöpulttia, kunnes sahanterä tulee hieman ohjauksikon poikkileikkauksen ja kääntöalustan yläpinnan alapuolelle.

► **Kuva15:** 1. Säätöpultti

► **Kuva16:** 1. Ohjauksisko

3. Kun kone on irrotettuna pistorasiasta, käännä terää käsin pitäen kahva kokonaan alhaalla varmistaaksesi, ettei terä kosketa mitään kohtaa alajalustassa. Hienosäädä tarvittaessa.

VAROITUS: Kun olet kiinnittänyt uuden terän akun ollessa irrotettuna, varmista aina, että terä ei kosketa mihinkään alustan kohtaan, kun kahva on kokonaan alhaalla. Jos terä koskettaa alustaa, seurauksena voi olla takapotku ja vakava henkilövahinko.

► **Kuva17**

Ala-aita

Maakohtainen

Tämä laite on varustettu apuohjaimella ja pienellä apuohjaimella.

Apuohjain

VAROITUS: Irrota apuohjain aina viistesahauksen aikana. Muussa tapauksessa seurauksena voi olla vakavia henkilövahinkoja.

► **Kuva18:** 1. Apuohjain

Käytä apuohjainta työköppäleen tukemiseen kaikkien muiden sahausien, paitsi viistesahausien aikana.

Pieni apuohjain

VAROITUS: Taita pienet apuohjaimet alas oikeanpuoleisten viistesahausien aikana. Muussa tapauksessa ne voivat koskettaa terää tai muuta laitteen osaa aiheuttaen käyttäjälle vakavia henkilövahinkoja.

► **Kuva19:** 1. Pieni apuohjain 2. Asteikko

Taita ne ylös työköppäleen tukemiseksi pystysahausien tai vasemmanpuoleisten viistesahausien aikana. Ohjauksiskossa on asteikko 10 mm välein.

Leikkauskorkeuden säätäminen

► **Kuva20:** 1. Kiinnitysruuvi 2. Kääntöalusta
3. Viistoasteikko 4. Osoitin

1. Löysää kiinnitysruuvia vastapäivään.

2. Säädä kääntöalustan kulmaa. Käytä osoitinta ja jirrikulma-asteikkoa oppaana.

3. Kiristä kiinnitysruuvia tiukasti myötäpäivään.

VAROITUS: Lukitse kääntöalusta aina viistekulman muuttamisen jälkeen kiristämällä kiinnitysruuvi kireälle.

HUOMAUTUS: Kääntöalustaa käännettäessä varmista, että nostat kahvan täysin.

Kallistuskulman säätäminen

Säädä viistekulmaa kääntämällä laitteen takana olevaa vipua alaspäin.

► **Kuva21:** 1. Vipu

Kallista terää vasemmalle pitämällä kiinni kahvasta ja kallistamalla sahapäätä. Käytä viisteasteikkoa ja osoitinta oppaana. Tämän jälkeen käännä vipua huolellisesti ylöspäin sahapään lukitsemiseksi.

► **Kuva22:** 1. Osoitin 2. Viistosahausasteikko

Kallista terää oikealle pitämällä kiinni kahvasta ja kallistamalla sahapäätä hieman vasemmalle, ja painamalla vapautuspainiketta. Kallista sahanterää oikealle painamalla samanaikaisesti vapautuspainiketta. Käännä vipua huolellisesti ylöspäin sahapään lukitsemiseksi.

► **Kuva23:** 1. Vapautuspainike

VAROITUS: Kun olet muuttanut viistekulman, lukitse sahapää aina kääntämällä vipua luotettavasti ylöspäin.

HUOMAUTUS: Varmista sahanterää kallistaessasi, että kahva on kokonaan ylhäällä.

HUOMAUTUS: Kallistuskulmaa vaihtaessasi, sijoita kitapalat varmasti asianmukaisesti, kuten ”Kitapalojen sijoittaminen” osassa on selitetty.

46° viistekulman asetus

1. Löysää vipua ja kallista terää kokonaan vasemmalle tai oikealle.

► **Kuva24:** 1. Vipu

2. Kallista terää vasemmalle pitämällä kiinni kahvasta ja kallistamalla sahapäätä hieman oikealle, ja siirtämällä tämän jälkeen vipua nuolen osoittamaan suuntaan. Viistekulma on säädettävissä 45° - 46° välillä kallistamalla sahapäätä ja samanaikaisesti siirtämällä vapautusvipua.

Kallista terää oikealle pitämällä kiinni kahvasta ja kallistamalla sahapäätä hieman vasemmalle, ja siirtämällä tämän jälkeen vipua nuolen osoittamaan suuntaan. Viistekulma on säädettävissä 45° - 46° välillä kallistamalla sahapäätä ja samanaikaisesti siirtämällä vapautusvipua.

► **Kuva25:** 1. Vipu 2. Vapautusvipu

3. Käännä vipua huolellisesti ylöspäin sahapään lukitsemiseksi.

Lukkovivun säätö

Jos vipu ei ajan mittaan riitä kiristämiseen täysin, muuta vivun asentoa. Vipua voidaan sijoittaa uudelleen 30°:een väleihin.

Löysää ja poista vivun varmistava ruuvi. Poista vipu ja asenna se uudestaan siten, että se on hieman vaakataso yläpuolella. Kiristä vipu sitten tiukasti ruuvilla.

► **Kuva26:** 1. Vipu 2. Ruuvi

Kytkimen käyttäminen

VAROITUS: Varmista aina ennen akkupaketin asentamista työkaluun, että liipaisinkytkin toimii moitteettomasti ja palautuu vapautettaessa OFF-asentoon. Jos työkalua käytetään, vaikka kytkin ei toimi moitteettomasti, seurauksena voi olla vakava henkilövahinko.

VAROITUS: ÄLÄ koskaan käytä sahaa, jos liipaisinkytkin ei toimi moitteettomasti.

Epäkuntoisella kytkimellä varustettu kone on ERITTÄIN VAARALLINEN. Se tulee korjata välittömästi ennen käytön jatkamista vakavien henkilövahinkojen välttämiseksi.

VAROITUS: Käyttäjän turvallisuuden vuoksi sahassa on lukituksen vapautuspainike, joka estää sahan käynnistämisen vahingossa. ÄLÄ koskaan käytä sahaa, jos se käynnistyy pelkästään liipaisinkytkintä painamalla ilman, että painaisit lukituksen vapautuspainiketta. Jos kytkin on viallinen, laite saattaa käynnistyä vahingossa, mistä voi seurata vakava henkilövahinko. Toimita saha Makita-huoltoon korjattavaksi ENNEN kuin jatkat käyttöä.

VAROITUS: ÄLÄ KOSKAAN ohita lukituksen vapautuspainiketta teippaamalla sitä kiinni tai muulla tavoin. Jos kytkimen lukituksen vapautuspainike vapautetaan, laite saattaa käynnistyä vahingossa, mistä voi seurata vakava henkilövahinko.

HUOMAUTUS: Älä vedä kytkimen liipaisinta voimakkaasti, ellei samalla paina lukituksen vapautusnappia. Kytkin voi rikkoutua.

Käytä lukituspainiketta liipaisinkytkimen tahattoman käyttämisen estämiseksi. Käynnistä laite painamalla lukituspainiketta ja liipaisinkytkintä. Sammuta vapauttamalla liipaisinkytkin.

► **Kuva27:** 1. Lukituspainike 2. Reikä riippulukkoa varten 3. Liipaisinkytkin

Lampun sytyttäminen

HUOMIO: Tämä ei ole sateenkestävä valaisin. Älä pese valaisinta vedessä tai käytä sitä sateessa tai kostealla alueella. Sellainen menettely saattaa aiheuttaa sähköiskun ja savuamisen.

HUOMIO: Älä kosketa valaisimen linsejä, koska se on erittäin kuuma päällekytkettyä tai lyhyen ajan päästä sen sammuttamisesta. Tämä voi aiheuttaa kehoon kohdistuvia palovammoja.

HUOMIO: Varo kolhimasta valaisinta, ettei se vaurioitu tai sen toiminta-aika lyhene.

HUOMIO: Älä valaise säteellä silmiisi. Tämä voi aiheuttaa silmiin kohdistuvia vammoja.

HUOMIO: Älä peitä valaisinta vaatteilla, kartongilla, pahvilla tai vastaavilla kohteilla sen ollessa päällä, koska muussa tapauksessa tämä voi aiheuttaa tulipalon tai syttymisen.

HUOMIO: Älä katso suoraan lampuun tai valonlähteeseen.

Kytke lamppu päälle painamalla kytkin ylempään asentoon (I). Kytke lamppu pois päältä painamalla kytkin alempaan asentoon (0).

► **Kuva28:** 1. Lamppu 2. Lampun kytkin

HUOMAA: Pyyhi lika pois linsistä kuivalla liinalla. Varo naarmuttamasta linssiä, ettei valoteho laske.

HUOMAA: Varmista, että sammutat laitteen asettamalla kytkimen pois päältä, koska kytkimen asettamisen päälle kuluttaa akkuvirtaa.

Lasersäde-toiminta

HUOMIO: Älä koskaan katso suoraan lasersädeeseen. Suora ja välitön lasersäde voi vahingoittaa silmiäsi.

Kytke lasersäde päälle painamalla kytkin ylempään asentoon (I). Kytke lasersäde pois päältä painamalla kytkin alempaan asentoon (0).

► **Kuva29:** 1. Laserkytkin

HUOMAA: Varmista, että sammutat laitteen asettamalla kytkimen pois päältä, koska kytkimen asettamisen päälle kuluttaa akkuvirtaa.

Laservivua voidaan siirtää sahanterän joko vasemmalle tai oikealle puolelle säätämällä säätöruuveja seuraavalla tavalla.

► **Kuva30:** 1. Säätöruuvi

1. Löysää säätöruuvia kiertämällä sitä vastapäivään.
2. Kun säätöruuvi on löysätty, liu'uta säätöruuvia oikealle tai vasemmalle niin pitkälle kuin mahdollista.
3. Kiristä säätöruuvi hyvin siinä asennossaan, missä se ei enää liu'u.

HUOMAA: Laserviiva on säädetty tehtaalla, joten sen voi asentaa 1 mm rajoissa terän sivupinnasta (sahaussanto).

HUOMAA: Jos lasersäde himmenee eikä erotu kunnolla auringonvalon vuoksi, siirry työskentelemään paikkaan, johon aurinko ei pääse paistamaan suoraan.

Laserviivan kohdistus

Kohdista työkalupaleesi sahauslinja laserviivan avulla.

► Kuva31

A) Kun haluat saada oikeankokoisen työkalupaleen vasemmalla puolella, siirrä laserviivaa terän vasemmalle puolelle.

B) Kun haluat saada oikeankokoisen työkalupaleen oikealla puolella, siirrä laserviivaa terän oikealle puolelle.

KOKOONPANO

VAROITUS: Varmista aina ennen kaikkia kunnossapitotoimia, että laite on sammutettu ja akku on irrotettu. Jos laitetta ei sammuteta eikä akkupakettia irroteta, seurauksena voi olla vakava henkilövahinko.

Kuusioavaimen varastointi

Kuusioavainta säilytetään kuvan osoittamalla tavalla. Kun tarvitset kuusioavainta, vedä se irti avaimen pitimestä.

Voit palauttaa kuusioavaimen käytön jälkeen avaimen pitimeen.

► **Kuva32:** 1. Kiintoavaimen pidin 2. Kuusioavain

Sahanterän kiinnittäminen ja irrottaminen

VAROITUS: Varmista aina ennen terän kiinnittämistä ja irrottamista, että laite on sammutettu ja akku irrotettu. Työkalun käynnistäminen vahingossa saattaa aiheuttaa vakavan henkilövahingon.

HUOMIO: Käytä terän irrottamiseen ja kiinnittämiseen vain mukana toimitettua Makitan kuusioavainta. Muuten seurauksena voi olla kuusiokolopultin yli- tai alikieristäminen. Tämä saattaa aiheuttaa vamman.

Irrota terä seuraten seuraavia vaiheita:

1. Vapauta rajoitintappi ja tämän jälkeen lukitse kahva nostettuun asentoonsa painamalla rajoitintappi alas.

► **Kuva33:** 1. Rajoitintappi

2. Käytä sitten kuusioavainta löysentääksesi keskimmäistä kantta pitävää kuusiokolopulttia siten, että käännät sitä vastapäivään. Nosta sitten teräsuojusta ja keskikantta.

► **Kuva34:** 1. Keskikansi 2. Kuusiokolopultti 3. Kuusioavain 4. Teräsuojus

3. Lukitse kara painamalla akseliliukkoa ja löysää kuusiokolopulttia kiertämällä sitä myötäpäivään kuusioavaimella. Irrota sitten kuusiokolopultti, ulkolaippa ja terä.

► **Kuva35:** 1. Akseliliukko 2. Kuusiokolopultti 3. Ulkolaippa

4. Jos sisälaippa irrotetaan, asenna karaan siten, että sen teränkiinnikeosa osoittaa terää kohti. Jos laippa asennetaan väärin, se hankaa konetta vasten.

► **Kuva36:** 1. Ulkolaippa 2. Sahanterä 3. Sisälaippa 4. Kuusiokolopultti (vasenkätinen) 5. Kara 6. Teränkiinnikeosa

Asenna terä seuraten seuraavia vaiheita:

1. Asenna terä varovasti sisempään laippaan. Varmista, että terän pinnalla olevan nuolen suunta on sama, kuin terän kotelossa olevan nuolen suunta.

► **Kuva37:** 1. Sahanterä 2. Nuoli

2. Asenna ulkolaippa ja kuusiokoloruuvi ja kiristä siten kuusiokoloruuvi (vasenkätinen) tiukasti kiertämällä sitä kuusioavaimella vastapäivään samalla akseliliukkoa painaen.

3. Palauta teränsuojus ja keskusuojus alkuperäiseen asentonsa. Kiinnitä sitten keskusuojus paikalleen kiristämällä kuusiokoloruuvi myötäpäivään.

4. Vapauta kahva yläasennosta vetämällä rajoitintappia. Varmista kahvaa laskemalla, että teränsuojus liikkuu oikein.

5. Varmista ennen sahaamista, että karalukitus on vapauttanut karan.

Työkaluun, jossa on 15,88 mm:n reiällä varustettuun sahanterään sopiva sisälaippa

Maakohtainen

Kiinnitä sisälaippa akseliin siten, että sen syvennys on ulospäin, ja aseta sitten sahanterä (tarvittaessa renkaan kanssa), ulkolaippa ja kuusiopultti paikalleen.

Työkaluille, jossa ei ole rengasta

► **Kuva38:** 1. Ulkolaippa 2. Sahanterä 3. Sisälaippa 4. Kuusiokolopultti (vasenkätinen) 5. Kara

Työkaluille, jossa on rengas

► **Kuva39:** 1. Ulkolaippa 2. Sahanterä 3. Sisälaippa 4. Kuusiokolopultti (vasenkätinen) 5. Rengas 6. Kara

VAROITUS: Jos rengasta tarvitaan terän sovittamiseen karalle, varmista aina, että sisä- ja ulkolaippojen väliin on asennettu käytettävän terän akselin reikään sopiva rengas. Vääränlaisen renkaan käyttäminen voi aiheuttaa terän virheellisen kiinnityksen, jolloin terä pääsee liikkumaan ja tärisee voimakkaasti, minkä seurauksena voi olla työkalun hallinnan menetys ja vakava henkilövahinko.

Työkälulle, jossa on jokin muu kuin 20 mm:n tai 15,88 mm:n reiällä varustetulle terälle tarkoitettu sisälaippa

Maakohtainen

Sisemällä laipalla on tietty halkaisija teränkiinnikeosan yhdellä puolella ja eri halkaisija terän teräkiinnikeosan toisella puolella. Valitse oikea puoli, johon teränkiinnikeosa sopii terän reikään täydellisesti.

- **Kuva40:** 1. Ulkolaippa 2. Sahanterä 3. Sisälaippa
4. Kuusiokoloputti (vasenkätinen) 5. Kara
6. Teränkiinnikeosa

▲HUOMIO: Varmista, että sisälaipan teränkiinnikeosan ulospäin osoittava ”a” sopii tarkasti sahanterän reikään ”a”. Terän asentaminen väärälle puolelle saattaa aiheuttaa vaarallista tärinää.

Pölypussi

Pölypussin käytön ansiosta sahaaminen on siistää ja pölyn kerääminen helppoa.

Pölypussi kiinnitetään asentamalla se pölysuuttimen päälle.

Kun pölypussi on täyttynyt noin puoliksi, irrota pölypussi koneesta ja vedä suljin irti. Tyhjennä pussin sisältö napauttamalla sitä kevyesti siten, että sisään tartunutta hiukkaset irtoavat. Näin ne eivät jää haittaamaan tulevaa pölynkeräystä.

- **Kuva41:** 1. Pölypussi 2. Pölysuutin 3. Kiinnitin

HUOMAA: Sahaaminen on siistimpää, kun liittät sahaan pölynimurin.

- **Kuva42**

Työkappaleen kiinnittäminen

▲VAROITUS: On äärimmäisen tärkeää, että työkappale tuetaan oikein puristinta käyttämällä. Muutoin seurauksena voi olla vakava henkilövahinko ja laitteen ja/tai työkappaleen vahingoittuminen.

▲VAROITUS: Tukijalustaa pidempää työkappaletta sahattaessa, materiaali pitää tukea koko tukijalustan ylittävältä pituudeltaan ja yhtä korkealta kuin jalusta siten, että se pysyy suorassa. Kun tuet työkappaleen asianmukaisesti, vältät terän jumiumutuksen ja mahdollisen takapotkun, joka voi aiheuttaa vakavan henkilövahingon. Älä luota yksinomaan pystytenkkiin ja/tai vaakapuristimeen työkappaleen kiinnityksessä. Ohuella materiaalilla on taipumus notkua. Tue työkappaletta koko sen pituudessaan välttääksesi terän jumiumutuksen ja mahdollisen TAKAPOTKUN.

- **Kuva43:** 1. Tuki 2. Kääntöalusta

Pystysuuntainen kappalepuristin

▲VAROITUS: Työkappale on kiinnitettävä lujasti kääntöalustaa ja sahausvastetta vasten ruuvipuristimella jokaisen toimenpiteen ajaksi. Muuten materiaali saattaa liikkua leikkaustoiminnan aikana, vahingoittaa terää ja sinkoutua, mikä saattaa johtaa hallinnan menettämiseen ja aiheuttaa vakavia henkilövahinkoja.

Asenna pystypuristin joko ohjauksikon vasemmalle tai oikealle puolelle. Aseta puristimen tanko ohjauksikon reikään ja kiristä alempi ruuvi puristimen tangon lukitsemiseksi.

- **Kuva44:** 1. Puristimen varsi 2. Puristimen nuppi
3. Ohjauksisko 4. Kääntöalusta 5. Alempi ruuvi 6. Ylempi ruuvi 7. Puristimen tanko

Sijoita puristin työkappaleen paksuuden ja muodon mukaisesti ja lukitse puristimen tanko kiristämällä ylempää ruuvia. Jos ylempi ruuvi koskettaa ohjauksiskoa, asenna ylempi ruuvi puristimen tangon vastapuolelle. Varmista, ettei mikään laitteen osa kosketa puristinta kahvan ollessa laskettuna täysin alas. Jos jokin osa koskettaa puristinta, sijoita puristin uudestaan. Purista työkappale tukevasti sahausvastetta ja kierros pohjaa vasten. Aseta työkappale haluttuun asentoon ja kiinnitä se tukevasti kiristämällä puristimen kiristysnuppi.

Olkahinnan kiinnittäminen

Lisävaruste

▲HUOMIO: Varmista, että olkahinna on irrotettu ennen laitteen käyttöä. Olkahinna voi takertua ja aiheuttaa henkilövahinkoja.

▲HUOMIO: Varmista, että kiinnitit olkahinnan soljet luotettavasti kiinni laitteeseen. Jos soljet ovat kiinnitetty huolimattomasti, ne voivat irrota ja aiheuttaa tapaturmia.

Olkahinna on käytännöllinen laitteen kuljettamista varten. Kiinnitä olkahinnan soljet laitteeseen kuvan osoittamalla tavalla.

- **Kuva45:** 1. Olkahinna 2. Solki

TYÖSKENTELY

▲VAROITUS: Varmista ennen kytkimen käynnistämistä, että terä ei kosketa työkappaletta tms. Jos työkaluun kytketään virta terän koskettaessa työkappaletta, seurauksena voi olla takapotku ja vakava henkilövahinko.

▲VAROITUS: Kun olet lopettanut sahaamisen, älä nosta terää ylös, ennen kuin se on kokonaan pysähtynyt. Jos terä nostetaan sen vielä pyöriessä, seurauksena voi olla vakava henkilövahinko ja työkappaleen vahingoittuminen.

HUOMAUTUS: Ennen käyttöä, vapauta ensin kahva kuljetusasennosta vapauttamalla lukitustappi.

HUOMAUTUS: Älä sovella liikaa painetta kahvaan leikatessa. Liiallinen painaminen voi ylikuormittaa moottoria ja/tai heikentää sahaustehoa. Paina kahvaa vain sen verran kun on tarpeen, jotta sahaus sujuu tasaisesti ilman, että terän nopeus laskee merkittävästi.

HUOMAUTUS: Saha painamalla kahvaa kevyesti alas. Jos kahvaa painetaan voimakkaasti tai sitä painetaan sivusuunnassa, terä saattaa alkaa väristä jättäen jäljen (sahaus-) työkappaleeseen ja sahauksen tarkkuus voi kärsiä.

Puristinleikkaus (pienen työkappaleiden leikkaus)

► Kuva46

Enintään 46 mm korkeita ja 92 mm leveitä työkappaleita voidaan sahata seuraavalla tavalla.

1. Lukitse työkappale puristimella.
2. Kytke laite päälle ilman terän kosketusta ja odota, kunnes terä saavuttaa täyden nopeuden ennen sen alenemista.
3. Alenna sitten hellävaraisesti kahvaa täysin alennettuun asentoon työkappaleen sahaamista varten.
4. Kun leikkaus on valmis, kytke laite pois päältä ja **odota, kunnes terä on täysin pysähtynyt** ennen kuin nostat terän täysin kohotettuun asentoonsa.

Jiirisahaus

Katso aiempaa kohtaa "Jiirikulman säätäminen".

Kallistussahaus

VAROITUS: Kun olet asettanut terän viistesahausta varten, varmista ennen laitteen käyttöä, että sahapää ja terä liikkuvat vapaasti koko sahauspituudella. Jos sahapään tai terän liike pysähtyy sahaamisen aikana, seurauksena voi olla takapotku ja vakava henkilövahinko.

VAROITUS: Pidä kätesi poissa terän tieltä viistesahaamisen aikana. Terän kulma saattaa sahatta aineita aiheuttaen terän liikeradan virhearviointiin, mistä seuraa vakava henkilövahinko.

VAROITUS: Terän saa nostaa vasta, kun se on täysin pysähtynyt. Irti sahattu kappale saattaa painua terää vasten viistesahaamisen aikana. Jos terää nostetaan sen pyöriessä, sahattu kappale saattaa sinkoutua irti terästä ja aiheuttaa materiaalin rikkoutumisen ja sen seurauksena vakavan henkilövahingon.

VAROITUS: Irrota apuohjain aina viistesahaamisen aikana. Muussa tapauksessa seurauksena voi olla vakavia henkilövahinkoja.

► Kuva47

1. Löysää vipua ja kallista sahanterää asettaaksesi viisteityskulma (Ks. aikaisemmin selostettua "Viisteityskulman asetus" osaa.) Kiristä vipu uudestaan lujasti varmistaaksesi valitun viisteityskulman turvallisesti.
2. Varmista työkappale ruuvinpuristimessa.
3. Käynnistä kone ilman, että terä osuu mihinkään, ja odota, että terä on saavuttanut täyden nopeuden.
4. Laske tämän jälkeen kahvaa varovaisesti täysin alas painamalla samanaikaisesti terä yhdensuuntaisesti sahattavaan työkappaleeseen.
5. Kun leikkaus on valmis, kytke laite pois päältä ja **odota, kunnes terä on täysin pysähtynyt** ennen kuin nostat terän täysin kohotettuun asentoonsa.

HUOMAUTUS: Kun painat alas kahvaa, sovella painetta rinnakkain terän kanssa. Jos voima kohdistetaan kohtisuorasti kääntöalustaan tai jos paineen suuntaa muutetaan leikkauksen aikana, leikkauksen tarkkuus huononee.

Yhdistelmäsahaus

Yhdistetyssä sahauksessa työkappaleeseen tehdään samanaikaisesti viiste- ja jiirisahaus. Yhdistetty sahaus voidaan tehdä oikeisen taulukon osoittamissa kulmissa.

Jiirikulma	Kallistuskulma
Vasen ja oikea 45°	Vasen ja oikea 0° - 45°
Oikea 52°	Vasen 20° - Oikea 45°
Vasen 52°	Vasen 45° - Oikea 20°

Kun suoritat yhdistelmäsahausta, katso kohtien "Pistosahaus", "Jiirisahaus" ja "Viistesahaus" ohjeita.

Alumiinisten puristetankojen sahaaminen

- **Kuva48:** 1. Ruuvipuristin 2. Välikappale 3. Sahausvaste 4. Alumiininen puristetanko 5. Välikappale

Kun kiinnität alumiinisia puristetankoja, käytä välikkeitä tai jätepaloja kuvan osoittamalla tavalla estääksesi alumiinin vääntymisen. Käytä sahausöljyä sahatessasi alumiinisia puristetankoja ehkäistäksesi alumiinin kertymisen terään.

HUOMIO: Älä koskaan sahaa paksumpia tai pyöreitä alumiinisia puristetankoja. Paksumpi alumiiniset puristetangot voivat irrota työskentelyn aikana eikä pyöreitä tankoja voida kiinnittää tukevasti tähän työkaluun.

Toistuvien pituuksien leikkaaminen

Kun leikkaat monta palaa tukkia samanpituisiksi, jotka ulottuvat 200 mm:stä 330 mm:iin, asetuskilven käyttö (vaihtoehoton lisävaruste) helpottaa toimintaa. Aseta asetuskilpi kannattimeen (vaihtoehoton lisävaruste) kuvan osoittamalla tavalla.

- **Kuva49:** 1. Kiinnityslevy 2. Kannatin 3. Ruuvi Aseta työkappaleen leikkauskohta kitapalassa olevan uran joko vasemmalle tai oikealle puolelle ja samalla, kun estät työkappaletta liikkumasta, siirrä asetuskilpi työkappaleen päähän. Kiinnitä sitten asetuskilpi ruuvilla. Kun asetuskilpi ei ole käytössä, löysää ruuvia ja käännä asetuskilpi pois tieltä.

Koneen kantaminen

VAROITUS: Rajoitintappi on tarkoitettu ainoastaan kantamista ja säilytystä varten. Niitä ei saa käyttää sahattaessa. Rajoitintapin käyttäminen sahattaessa saattaa liikuttaa sahanterää odottamattomalla tavalla, mikä voi aiheuttaa takapotkun ja vakavan henkilövahingon.

HUOMIO: Kiinnitä kaikki liikkuvat osat paikalleen aina ennen laitteen kuljetusta. Jos laitteen osat pääsevät liikkumaan siirtämisen aikana, seurauksena voi olla henkilövahinkoja horjauttamisen ja tasapainon menettämisen seurauksena.

1. Poista akkupaketti.
2. Kiinnitä terä viistekulmaan 0° ja kääntöjalusta täyteen suoraan jiirisahauskulmaan.
► **Kuva50:** 1. Kääntöalusta
3. Alenna kahva täysin ja lukitse se alennettuun asentoonsa työntämällä pysäytintappi sisään.
4. Kuljeta laitetta pitämällä kiinni sen kahvasta.
► **Kuva51**

KUNNOSSAPITO

VAROITUS: Varmista aina, että terä on terävä ja puhdas, jotta työskentely sujuisi mahdollisimman hyvin ja turvallisesti. Sahaaminen tylsällä ja/ tai liikaisella terällä saattaa aiheuttaa takapotkun ja vakavan henkilövahingon.

HUOMIO: Varmista aina ennen tarkastusta tai huoltoa, että työkalu on sammutettu ja akku irrotettu.

HUOMAUTUS: Älä koskaan käytä bensiiniä, ohenteita, alkoholia tai tms. aineita. Muutoin pinta voi halkeilla tai sen värit ja muoto voivat muuttua. Muutoin laitteeseen voi tulla värjäytyimiä, muodon vääristymiä tai halkeamia.

Tuotteen TURVALLISUUDEN ja LUOTETTAVUUDEN takaamiseksi korjaukset, muut huoltotyöt ja säädöt on teetettävä Makitan valtuutetussa huoltopisteessä Makitan varaosia käyttäen.

Sahauskulman säätäminen

Työkalu on huolellisesti asennettu ja kohdistettu teh-taalla, mutta kova käsittely on saattanut vaikuttaa kohdistukseen. Jos työkaluasi ei ole asianmukaisesti kohdistettu, tee seuraavat toimenpiteet:

Jiirikulma

1. Löysää kiinnitysruuvia vastapäivään.
2. Käännä kääntöjalustaa niin, että osoitin osoittaa 0° jiirisahausteikkolla.
► **Kuva52:** 1. Kiinnitysruuvi 2. Kääntöalusta 3. Jiirikulma-asteikko 4. Osoitin

3. Käännä sitten kääntöalustaa hieman myötäpäivään ja vastapäivään sovittaaksesi kääntöalustan 0° jiirin loveen. (Jätä se paikalleen, jos osoitin ei osoita kohtaa 0°.)

4. Löysennä sahausvasteen varmistava kuusiokolou-ruuvi kuusioavaimella.

► **Kuva53:** 1. Ohjauskisko 2. Kuusiokolopultti

► **Kuva54:** 1. Ohjauskisko 2. Kuusiokolopultti

5. Alenna kahva täysin ja lukitse se alennettuun asentoonsa työntämällä pysäytintappi sisään.

6. Säädä ohjauskiskoa niin, että se tulee terän kanssa kohtisuoraan asentoon käyttämällä kolmio- viivainta, suorakulmaa tms. Lukitse se tämän jälkeen kiristämällä ohjauskiskon kuusiokolopultti.

► **Kuva55:** 1. Ohjauskisko 2. Kolmioviivain 3. Sahanterä

7. Varmista, että osoitin osoittaa kohtaa 0° jiiristei- kolla. Jos osoitin ei osoita kohtaa 0°, löysennä ruuvi, joka varmistaa osoittimen ja säädä osoitin siten, että se osoittaa kohtaa 0°.

► **Kuva56:** 1. Ruuvi 2. Viistoasteikko 3. Osoitin

Kallistuskulma

0° kallistuskulma

1. Alenna kahva täysin ja lukitse se alennettuun asentoonsa työntämällä pysäytintappi sisään.

2. Löysennä vipua työkalun takaosassa.

3. Kierrä 0° sahapään oikealla puolella olevaa viiste- kulman säätöpulttia kaksi tai kolme kierrosta vastapäivään terän kallistamiseksi oikealle.

► **Kuva57:** 1. Säätöpultti 2. Vipu

4. Käännä 0° -viistekulman säätöpulttia varovasti myötäpäivään, kunnes teräpuoli tulee kohtisuoraan kul- maan kääntöalustan yläpinnan kanssa. Käytä oppaana kolmioviivainta, suorakulmaviivainta, jne. Kiristä sitten vipu varmasti.

► **Kuva58:** 1. Kolmioviivain 2. Sahanterä 3. Kääntöpöydän yläpinta

5. Varmista, että varren osoitin osoittaa kohtaa 0° vinosahausteikkolla. Jos se ei osoita kohtaa 0°, löysennä ruuvi, joka varmistaa osoittimen ja säädä osoitin siten, että se osoittaa kohtaa 0°.

► **Kuva59:** 1. Ruuvi 2. Osoitin 3. Viisteasteikko

45° kallistuskulma

Säädä 45° viistekulma vasta säädettyäsi 0° viistekulman.

1. Löysää vipu ja kallista terä kokonaan vasemmalle.

2. Varmista, että varren osoitin osoittaa kohtaa 45° viisteasteikkolla. Jos osoitin ei osoita kohtaa 45°, kierrä varren oikealla puolella olevaa 45° viistekulman säätö- pulttia, kunnes osoitin osoittaa 45°.

► **Kuva60:** 1. Oikeanpuoleisen 45° viistekulman sää- töpultti 2. Osoitin 3. Vasemmanpuoleisen 45° viistekulman säätöpultti

3. Kallista terää täysin oikealle ja säädä tämän jälkeen oikeanpuoleista 45° viistekulmaa käyttämällä oikeanpuoleista 45° viistekulman säätöpulttia.

► **Kuva61:** 1. Sahanterä 2. Kolmioviivain

Laserviivan säätö

VAROITUS: Akku on asennettava laitteeseen laserviivan säätämisen aikana. Noudata varovaisuutta, ettet käynnistä laitetta säädön aikana. Laitteen vahingossa tapahtuva käynnistäminen voi aiheuttaa vakavan henkilövahingon.

HUOMIO: Älä koskaan katso suoraan lasersäteeseen. Lasersäteen osuminen suoraan silmiin voi aiheuttaa vakavan silmävamman.

HUOMAUTUS: Tarkista laserviivan suunta säännöllisesti tarkkuuden varmistamiseksi.

HUOMAUTUS: Älä altista laitetta iskuille. Laitteeseen kohdistuvat iskut saattavat siirtää laserviivaa tai vaurioittaa laseria ja lyhentää sen käyttöikää.

HUOMAUTUS: Korjauta kaikki laitteen laseryksikön viat Makitan valtuutetussa huoltopisteessä.

Laserviivan liikekantama määritetään kantaman säätöruuveilla molemmilla puolilla. Suorita seuraavat toimenpiteet laserviivan muuttamiseksi.

1. Poista akku.
2. Piirrä sahauslinja työkappaleeseen ja sijoita se kääntöalustan päälle. Tässä vaiheessa, älä kiinnitä työkappaletta puristimella tai vastaavalla kiinnityslaitteella.
3. Laske kahva alas ja kohdista sahauslinja sahanterän kanssa.
► **Kuva62:** 1. Sahauslinja
4. Palauta kahva sen alkuasentoonsa ja kiinnitä työkappale pystypuristimella niin, että työkappale ei liiku määrittämestäsä asennosta.
► **Kuva63:** 1. Puristin
5. Asenna akku laitteeseen ja kytke laserkytkin päälle.
6. Löysää säätöruuvia. Siirrä laserviiva kauemmaksi terästä kiertämällä kantaman säätöruuveja vastapäivään. Siirrä laserviiva lähemmäksi terää kiertämällä kantaman säätöruuveja myötäpäivään.

Laserviivan säätäminen terän vasemmalle puolelle

- **Kuva64:** 1. Säätöruuvi 2. Kantaman säätöruuvi
3. Kuusioavain 4. Laserviiva 5. Sahanterä

Laserviivan säätäminen terän oikealle puolelle

- **Kuva65:** 1. Kantaman säätöruuvi 2. Kuusioavain
3. Laserviiva 4. Sahanterä

7. Siirrä säätöruuvia siihen kohtaan, missä laserviiva on sahauslinjan päällä ja kiristä säätöruuvi.

HUOMAA: Laserin liikekantama on säädetty tehtaalla 1 mm puitteissa terän sivupinnasta.

Laservalon linssin puhdistaminen

Laservalo heikkenee sen linssien ollessa likaiset. Puhdista laservalon linssit säännöllisesti. Poista akku. Löysää ruuvia ja vedä linssit irti. Puhdista linssit varovaisesti kostealla liinalla.

► **Kuva66:** 1. Ruuvi

► **Kuva67:** 1. Linssit

HUOMAUTUS: Älä irrota linssien kiinnitysruuvia. Jos linssit eivät irtoa, löysää ruuvia vasta nyt.

HUOMAUTUS: Älä käytä liuottimia tai öljypohjaisia puhdistusaineita linssien puhdistamiseen.

Käytön jälkeen

Käytön jälkeen pyyhi työkaluun liimautuneet lastut ja pöly pois kankaalla tai vastaavalla. Pidä teränsuojus puhtaana aikaisemmin käsitellyssä "Teränsuojus" osassa mainittujen ohjeiden mukaan. Voitele liukuosat koneöljyllä ruostumisen ehkäisemiseksi.

LISÄVARUSTEET

VAROITUS: Nämä Makita-lisävarusteet tai -laitteet on tarkoitettu käytettäväksi tässä ohjekirjassa mainitun Makita-työkalun kanssa. Muiden lisävarusteiden tai -laitteiden käyttäminen voi aiheuttaa vakavan henkilövahingon.

VAROITUS: Käytä Makita-lisävarustetta tai -laitetta vain sen ilmoitettuun käyttötarkoitukseen. Lisävarusteen tai laitteen vääränlainen käyttö voi aiheuttaa vakavan henkilövahingon.

Jos tarvitset apua tai yksityiskohtaisempia tietoja seuraavista lisävarusteista, ota yhteys paikalliseen Makitan huoltoon.

- Kovametallihampaiset sahanterät
- Kannatin-varren yhdistelmä
- Kiinnityslevy
- Olkahihna
- Aito Makitan akku ja laturi

HUOMAA: Jotkin luettelossa mainitut varusteet voivat sisältyä työkalun toimitukseen vakiovarusteina. Ne voivat vaihdella maittain.

SPECIFIKĀCIJAS

Modelis:	DL S600
Asmens diametrs	165 mm
Cauruma (atveres) diametrs	20 mm
Maks. zāģēšanas leņķis	Kreisais 52°, labais 52°
Maks. slīpais leņķis	Pa kreisi 45° (46°, izmantojot atlaišanas sviru), pa labi 45° (46°, izmantojot atlaišanas sviru)
Ātrums bez slodzes	5 000 min ⁻¹
Lāzera veids	Sarkanais lāzers 650 nm, maksimālā izejas jauda < 1,6 mW (lāzera klase 2M)
Izmēri (G × P × A)	340 mm × 400 mm × 440 mm
Nominālais spriegums	18 V līdzstrāva
Standarta akumulatora kasetne	BL1815N / BL1820 / BL1820B / BL1830 / BL1830B / BL1840 / BL1840B / BL1850 / BL1850B / BL1860B
Lādētājs	DC18RC / DC18RD / DC18SD / DC18SE / DC18SF
Tīrsvars	6,3 – 6,6 kg

Maksimālā zāģēšanas jauda (A × P) ar 165 mm asmeni

Zāģēšanas leņķis	Slīpais leņķis		
	45° (pa kreisi)	0°	45° (pa labi)
0°	30 mm × 92 mm	46 mm × 92 mm	15 mm × 92 mm
45° (pa kreisi un pa labi)	30 mm × 65 mm	46 mm × 65 mm	15 mm × 65 mm

- Nepārtrauktās izpētes un izstrādes programmas dēļ šeit uzrādītās specifikācijas var tikt mainītas bez brīdinājuma.
- Specifikācijas un akumulatora kasetne var atšķirties dažādās valstīs.
- Svārs var būt atšķirīgs atkarībā no papildierīces (-ēm), tostarp akumulatora kasetnes. Tabulā ir attēlota vieglākā un smagākā kombinācija atbilstoši EPTA procedūrai 01/2014.

Simboli

Zemāk ir attēloti simboli, kas attiecas uz iekārtu. Pirms darbarīka izmantošanas pārliecinieties, vai pareizi izprotat to nozīmi.



Izlasiet lietošanas rokasgrāmatu.



Lai izvairītos no atlecošiem gruziem, turpiniet turēt zāģa augšdaļu uz leju līdz asmens ir pilnībā apstājies.



Neturiet roku vai pirkstus asmens tuvumā.



Nekādā gadījumā neskatieties lāzera starā. Tiešs lāzera stars var ievainot acis.



Tikai ES valstīm
Neizmetiet elektroiekārtas vai akumulatoru mājāsaimniecības atkritumos!
Saskaņā ar Eiropas direktīvu par elektrisko un elektronisko iekārtu atkritumiem, kā arī par baterijām un akumulatoriem, un bateriju un akumulatoru atkritumiem un to štenošanu saskaņā ar valsts likumdošanu lietotais elektriskais aprīkojums, baterijas un akumulators kalpošanas laika beigās jāsavāc atsevišķi un jānogādā otrreizējai pārstrādei vidi saudzējošā veidā.

Paredzētā izmantošana

Šis darbarīks ir paredzēts precīziem taisniem un slīpiem iegriezumiem kokā.
Neizmantojiet zāģi, lai zāģētu materiālus, kas nav koks, alumīnijs vai līdzīgi materiāli.

Trokšņa līmenis

Tipiskais A svērtais trokšņa līmenis noteikts saskaņā ar EN62841:
Skaņas spiediena līmeni (L_{PA}): 90 dB (A)
Skaņas jaudas līmeni (L_{WA}): 97 dB (A)
Mainīgums (K): 3 dB (A)

BRĪDINĀJUMS: Lietojiet ausu aizsargus.

Vibrācija

Vibrācijas kopējā vērtība (trīsasu vektora summa) noteikta atbilstoši EN62841:
Vibrācijas izmēte (a_h): 2,5 m/s² vai mazāk
Mainīgums (K): 1,5 m/s²

PIEZĪME: Paziņotā vibrācijas emisijas vērtība noteikta atbilstoši standarta pārbaudes metodei un to var izmantot, lai salīdzinātu vienu darbarīku ar citu.

PIEZĪME: Paziņoto vibrācijas emisijas vērtību arī var izmantot iedarbības sākotnējā novērtējumā.

▲BRĪDINĀJUMS: Reāli lietojot elektrisko darbarīku, vibrācijas emisija var atšķirties no paziņotās emisijas vērtības atkarībā no darbarīka izmantošanas veida.

▲BRĪDINĀJUMS: Lai aizsargātu lietotāju, nosakiet drošības pasākumus, kas pamatoti ar iedarbību reālos darba apstākļos (ņemot vērā visus ekspluatācijas cikla posmus, piemēram, laiku, kamēr darbarīks ir izslēgts un kad darbojas tukšgaitā, kā arī palaides laiku).

EK atbilstības deklarācija

Tikai Eiropas valstīm

EK atbilstības deklarācija šajā lietošanas rokasgrāmatā ir iekļauta kā A pielikums.

DROŠĪBAS BRĪDINĀJUMI

Vispārīgi elektrisko darbarīku drošības brīdinājumi

▲BRĪDINĀJUMS: Izlasiet visus drošības brīdinājumus, instrukcijas, apskatiet ilustrācijas un tehniskos datus, kas iekļauti mehānizētā darbarīka komplektācijā. Ja netiek ievēroti visi tālāk minētie noteikumi, var tikt izraisīta elektrotrauma, notikt aizdegšanās un/vai rasties smagas traumas.

Glabājiet visus brīdinājumus un norādījumus, lai varētu tajos ieskatīties turpmāk.

Termins „elektrisks darbarīks” brīdinājumos attiecas uz tādu elektrisko darbarīku, ko darbina ar elektrību (ar vadu), vai tādu, ko darbina ar akumulatoru (bez vada).

Drošības norādījumi leņķzāģiem

1. **Leņķzāģi paredzēti koka vai kokam līdzīgu materiālu zāģēšanai, un tos nevar izmantot ar abrazīvajām griešanas ripām, lai grieztu metāla izstrādājumus, piemēram, sijas, stieņus, skrūves u. tml.** Abrazīvie putekļi izraisa kustīgo daļu, piemēram, apakšējā aizsarga, iestrēgšanu. Dzirksteles, kas rodas, griežot ar abrazīvo ripu, aizdedzinās apakšējo aizsargu, izzāģēšanas plātni un citas plastmasas daļas.
2. **Kad iespējams, apstrādājamā materiāla atbalstam izmantojiet skavas. Atbalstot apstrādājamo materiālu ar plaukstu, turiet plaukstu vismaz 100 mm attālumā no abām zāģa asmeņiem.** Neizmantojiet šo zāģi, lai zāģētu detaļas, kuras nelielā izmēra dēļ nav iespējams droši fiksēt ar skavām vai turēt ar plaukstu. Turot plaukstu pārāk tuvu zāģa asmeņiem, var pieskarties asmeņim un ievainot plaukstu.
3. **Apstrādājamajam materiālam jābūt nekustīgam un fiksētam ar skavām vai piespiestam pie ierobežotāja vai galda. Nekādā gadījumā nevīziet apstrādājamo materiālu pret asmeni un nezāģējiet ar „brīvu roku”.** Liels ātrums var aizsviest nefiksētus vai kustīgus apstrādājamus materiālus, tādējādi radot ievainojumus.

4. **Nekādā gadījumā nelieciet plaukstu ne uz paredzētās zāģēšanas līnijas, ne arī zāģa asmeņiem priekšā vai aizmugurē.** Apstrādājamo materiālu fiksējot ar sakrustotām rokām, t. i., ar kreiso roku turot apstrādājamo materiālu zāģa asmeņiem labajā pusē vai otrādi, var radīt ļoti bīstamu situāciju.

► Att.1

5. **Asmeņiem griežoties, nesniedzieties ar rokām aiz ierobežotāja tuvāk par 100 mm katrā zāģa asmeņiem pusē, lai nofīrītu koka atgriezumus vai veiktu citas darbības.** Jūs nevarēsiet novērtēt attālumu no rotējošā zāģa asmeņiem līdz rokai un varat smagi savainoties.
6. **Pirms zāģēšanas pārbaudiet apstrādājamo materiālu. Ja apstrādājama materiāls ir izliekts vai sametis, iespējējiet to, novietojot uz ārpusi izliekto virsmu pret ierobežotāju. Vienmēr pārliecinieties, ka starp apstrādājamo materiālu, ierobežotāju un galdu gar griezuma līniju nav spraugas.** Izliekti vai sametušies apstrādājami materiāli var pagriezties vai pabīdīties, tādējādi zāģēšanas laikā iekļējot zāģa asmeni. Apstrādājamajā materiālā nedrīkst būt naglas vai citi svešķermeņi.
7. **Pirms zāģēšanas noņemiet no galda visus instrumentus, koka atgriezumus u. tml., atstājiet tikai apstrādājamo materiālu.** Rotējošais asmeņiem var aizķert sīkus griezumus vai koka gabalus un citus priekšmetus un aizsviest tos ar lielu ātrumu.
8. **Vienlaikus zāģējiet tikai vienu apstrādājamo materiālu.** Vairākas citu citam uzkrāutus apstrādājamus materiālus nevar droši fiksēt ar skavām vai atbalstīt, un zāģēšanas laikā tajos var iestrēgt asmeņi vai tie var pabīdīties.
9. **Pirms lietošanas montējiet vai novietojiet leņķzāģi uz horizontālas, stabilas darba virsmas.** Horizontāla, stabila darba virma samazina leņķzāģa nestabilitātes risku.
10. **Plānojiot darba gaitu. Katru reizi, mainot spīleņķa vai leņķa iestāpījumu, iestatiet pareizi regulējamo ierobežotāju, lai tas atbalstītu apstrādājamo materiālu un nepieskartos asmeņiem vai aizsargsistēmai.** Neieslēdzot darbarīku „ON” režīmā un nenovietojot uz galda apstrādājamo materiālu, virziet zāģa asmeni, modelējot paredzēto griezumu, lai nodrošinātu, ka nenotiks saskare vai neiezāģēsiet ierobežotāju.
11. **Zāģējot apstrādājamo materiālu, kas ir platāks vai garāks par galda virsmu, izmantojiet piemērotu paliktīni, piemēram, galda pagarinātājus, kokzāģēšanas steķi u. tml.** Nepietiekami atbalstīti apstrādājami materiāli, kas garāki vai platāki par leņķzāģa galda virsmu, var nokrist. Nozāģētais gabals vai apstrādājama materiāls krietni var pacelt apakšējo aizsargu vai rotējošais asmeņiem to var aizsviest.
12. **Galda pagarinājumam vai papildu atbalstam neizmantojiet cita cilvēka palīdzību.** Nestabila apstrādājamā materiāla pamatne zāģēšanas procesā var izraisīt asmeņiem iekļīšanās vai apstrādājamā materiāla pārbīdi, uzstumjot jūsu palīgu uz rotējošā zāģa asmeņiem.
13. **Nozāģēto gabalu nekādā gadījumā nedrīkst iekļīvēt rotējošā zāģa asmeņiem vai tam piespiest.** Piespiests nozāģētais gabals, t. i., izmantojot piebīdņus, var iestrēgt pie asmeņiem, kas to var spēcīgi aizsviest.

14. Vienmēr izmantojiet skavas vai stiprinājumu, kas paredzēti apaļu materiālu, piemēram, stieņu vai cauruļu, pareizi balstīšanai. Žāģēšanas procesā stieņi var rīpot, asmens iecirsties stienī un ievilk materiālu ar jūsu roku pret asmeni.
15. Pirms pieskaršanās apstrādājamajam materiālam ar žāģi ļaujiet asmenim griezties ar maksimālo ātrumu. Tādējādi samazināsies apstrādājamā materiāla aizmesa risks.
16. Ja apstrādājama materiāls vai asmens iestrēdzis, izslēdziet lenķžāģi. Nogaidiet, līdz visas kustīgās daļas apstājas, atvienojiet spraudni no strāvas avota un/vai izņemiet akumulatora bloku. Pēc tam atbrīvojiet iestrēgušo materiālu. Turpinot žāģēt, ja apstrādājama materiāls ir iestrēdzis, lenķžāģis var kļūt nevadāms vai sabojāties.
17. Pēc griezuma pabeigšanas un pirms nozāģētā gabala noņemšanas, atlaižiet slēdzi, turiet žāģa galvu lejup un nogaidiet, līdz asmens apstājas. Pieskaroties pēc inerces rotējoša asmens tuvumā, var rasties bīstama situācija.
18. Veicot nepilnīgu griezumu vai atlaižot slēdzi pirms žāģa galva ir nolaista pavisam, turiet rokturi stingri. Žāģa bremzēšanas kustība var piepēsi paraut lejup žāģa galvu, tādējādi radot savainošanās risku.
19. Izmantojiet žāģa asmeņus tikai ar tādu diametru, kāds norādīts uz darbarīka vai rokasgrāmatā. Izmantojot nepareiza izmēra asmeni, var tikt ietekmēta asmens pienācīga aizsardzība vai aizsarga darbība, un tas var izraisīt smagas traumas.
20. Izmantojiet tikai tādus žāģa asmeņus, kas ir marķēti ar ātrumu, kas ir tāds pats vai lielāks kā uz darbarīka norādītais ātrums.
21. Neizmantojiet žāģi, lai zāģētu materiālus, kas nav koks, alumīnijs vai līdzīgi materiāli.
22. (Tikai Eiropas valstīm)
Vienmēr izmantojiet asmeni, kas atbilst standartam EN847-1.

Papildu norādījumi

1. Ar piekaramo slēdzeni nodrošiniet, lai darbnīcā neiekļūtu bērni.
2. Nekādā gadījumā nestāviet uz darbarīka. Darbarīkam krītot vai nejauši iedarbinot griešanas instrumentu, var gūt smagus ievainojumus.
3. Nekad neatstājiet darbarīku ieslēgtu bez uzraudzības. Izslēdziet strāvas padevi. Neatstājiet darbarīku bez uzraudzības, kamēr tā darbība nav pavisam apstājusies.
4. Nelietojiet žāģi, ja aizsargi nav uzlikti. Pirms katras lietošanas reizes pārbaudiet, vai asmens aizsargs aizveras pareizi. Nelietojiet žāģi, ja asmens aizsargs nevirzās brīvi un nekavējoties neaizveras. Nekad neiespīļējiet un nepiesieniet asmens aizsargu atvērtā stāvoklī.
5. Turiet rokas drošā attālumā no žāģa asmens ceļa. Neskarieties pie asmens, kas griežas pēc inerces. Tas vēl joprojām var izraisīt smagu ievainojumu.
6. Pirms darbarīka nešanas vienmēr nostipriniet visas kustīgās daļas.
7. Sprūdtapa, kas griezējgalvu fiksē lejup, ir paredzēta tikai pārnēsāšanai un uzglabāšanai, nevis žāģēšanai.
8. Pirms darba veikšanas rūpīgi pārbaudiet, vai asmenim nav plaisu vai bojājumu. Ieplaisājušu vai bojātu asmeni nekavējoties nomainiet. Ja uz asmeņiem pieļipusi sveķi un koka darva, žāģa darbība kļūst lēnāka un atsitiena risks palielinās. Raugieties, lai asmens būtu tīrs, vispirms to noņemot nost no darbarīka, tad notīrot ar sveķu un

- darvas tīrītāju, karstu ūdeni vai petroleju. Asmens tīrīšanai nekādā gadījumā neizmantojiet benzīnu.
9. Izmantojiet tikai šim darbarīkam paredzētus atlokus.
10. Uzmanieties, lai nesabojātu asi, atlokus (jo tīpaši uzstādīšanas virsmu) vai skrūvi. Ja šīs daļas ir bojātas, asmens var salūzt.
11. Pārlicinieties, vai pagriežamā pamatne ir pareizi nostiprināta un darba laikā nekustēsies. Lai piestiprinātu žāģi uz stabilas darba pamatnes vai sola, izmantojiet caurumus žāģa pamatnē. NEKAD neizmantojiet darbarīku, ja operatoram nav ērta darba pozīcija.
12. Pirms slēdža ieslēgšanas pārlicinieties, vai vārpstas bloķētājs ir atlaists.
13. Pārlicinieties, vai zemākajā stāvoklī asmens nesaskaras ar pagriežamo pamatni.
14. Rokturi turiet stingri. Ņemiet vērā, ka žāģis, sākot darbu un apstājoties, nedaudz pavirzās augšup vai lejup.
15. Pirms slēdža ieslēgšanas pārlicinieties, ka asmens nepieskaras apstrādājamajam materiālam.
16. Pirms darbarīka lietošanas materiāla apstrādei, nedaudz padarbiniet to bez slodzes. Pievērsiet uzmanību vibrācijai vai svārstībām, jo tas var liecināt par nepareizu uzstādīšanu vai slikti līdzsvarotu asmeni.
17. Nekavējoties pārtrauciet darbu, ja ievērojat novirzes.
18. Nebloķējiet mēlīti ieslēgtā stāvoklī „ON”.
19. Vienmēr izmantojiet piederumus, kas ieteikti šajā rokasgrāmatā. Izmantojot nepiemērotus piederumus, piemēram, abrazīvo ripu, var savainoties.
20. Daži materiāli satur ķīmiskas vielas, kas var būt toksiskas. Izvairieties no putekļu ieelpošanas un to nokļūšanas uz ādas. Ievērojiet materiāla piegādātāja drošības datus.

Papildu drošības noteikumi lāzera izmantošanai

1. LĀZERA RADIĀCIJA. NESKATĪTIES UZ LĀZERA STARU VAI NEAPLŪKOJIET TO AR OPTISKU INSTRUMENTU PALĪDZĪBU. 2M KLASES LĀZERA IZSTRĀDĀJUMS.

SAGLABĀJIET ŠOS NORĀDĪJUMUS.

▲BRĪDINĀJUMS: NEPIEĻAUJIET to, ka labu iemaņu vai izstrādājuma labas pārzināšanas (darbarīku atkārtoti ekspluatējot) rezultātā vairs stingri neievērojāt šī izstrādājuma drošības noteikumus. NEPAREIZI LIETOJOT darbarīku vai neievērojot šajā instrukcijā rokasgrāmatā minētos drošības noteikumus, var tikt gūtas smagas traumas.

Svarīgi drošības norādījumi par akumulatora kasetni

1. Pirms akumulatora lietošanas izlasiet visus norādījumus un brīdinājumus, kuri attiecas uz (1) akumulatora lādētāju, (2) akumulatoru un (3) ierīci, kurā tiek izmantots akumulators.
2. Neizjauciet akumulatoru.
3. Ja akumulatora darbības laiks kļuva ievērojami īsāks, nekavējoties pārtrauciet to izmantot. Citādi, tas var izraisīt pārkarsējumu, uzliesmojumu vai pat sprādzienu.
4. Ja elektrolīts nonāk acīs, izskalojiet tās ar tīru ūdeni un nekavējoties griezties pie ārsta. Tas var izraisīt redzes zaudēšanu.

5. Neradiet īssavienojumu akumulatora kasetnē:

- (1) Nepieskarieties spailēm ar elektrību vadošiem materiāliem.
- (2) Neuzglabājiet akumulatoru kasetni kopā ar citiem metāla priekšmetiem, tādiem kā naglas, monētas u. c.
- (3) Nepakļaujiet akumulatora kasetni ūdens vai lietus iedarbībai.

Akumulatora īssavienojums var radīt spēcīgu strāvas plūsmu, pārkaršanu, uzliesmojumu un pat sabojāt akumulatoru.

6. Neglabājiet darbarīku un akumulatora kasetni vietās, kur temperatūra var sasniegt vai pārsniegt 50 °C (122 °F).
7. Nededziniet akumulatora kasetni, pat ja tā ir stipri bojāta vai pilnībā nolietota. Akumulatora kasetne ugunī var eksplodēt.
8. Uzmaniēties, lai neļautu akumulatoram nokrist un nepakļautu to sītiem.
9. Neizmantojiet bojātu akumulatoru.
10. Uz izmantotajiem litija jonu akumulatoriem attiecas likumdošanas prasības par bīstamiem izstrādājumiem. Komerציālā transportēšanā, ko veic, piemēram, trešās puses, transporta uzņēmumi, jāievēro uz iesaiņojuma un marķējuma norādītās īpašās prasības. Lai izstrādājumu sagatavotu nosūtīšanai, jāsaazinās ar bīstamo materiālu speciālistu. Ievērojiet arī citus attiecināmos valsts normatīvus. Valējus kontaktus nosedziet ar līmteni vai citādi pārklājiet, bet akumulatoru iesaiņojiet tā, lai sānītas nevarētu izkustēties.

11. Ievērojiet vietējos noteikumus par akumulatora likvidēšanu.

SAGLABĀJIET ŠOS NORĀDĪJUMUS.

▲UZMANĪBU: Lietojiet tikai oriģinālos Makita akumulatorus. Ja lietojat neoriģinālus Makita akumulatorus vai pārveidotus akumulatorus, tie var uzsprāgt un izraisīt aizdegšanos, traumas un materiālos zaudējumus. Tikas anulēta arī Makita darbarīka un lādētāja garantija.

Ieteikumi akumulatora kalpošanas laika pagarināšanai

1. Uzlādējiet akumulatora kasetni, pirms tā ir pilnībā izlādējusies. Vienmēr, kad ievērojat, ka darbarīka darba jauda zudusi, apturiet darbarīku un uzlādējiet akumulatora kasetni.
2. Nekad neuzlādējiet pilnībā uzlādētu akumulatora kasetni. Pārmērīga uzlāde saīsina akumulatora kalpošanas laiku.
3. Uzlādējiet akumulatora kasetni istabas temperatūrā 10 °C - 40 °C. Karstai akumulatora kasetnei pirms uzlādes ļaujiet atdzist.
4. Uzlādējiet litija jonu akumulatora kasetni, ja to ilgstoši nelietosit (vairāk nekā sešus mēnešus).

DETAĻU APRAKSTS

► Att.2

1	Atbloķēšanas poga	2	Slēdža mēlīte	3	Rokturis	4	Āsmens korpus
5	Āsmens	6	Āsmens aizsargs	7	Apakšējais ierobežotājs	8	Mazais apakšējais ierobežotājs
9	Pamatne	10	Pagriežamā pamatne	11	Vadotnes ierobežotājs	12	Vertikālās skrūvspīles
13	Putekļu maiss	14	Putekļsūcēja uzgalis	15	Centrālais apvalks	-	-

► Att.3

16	Lampa	17	Akumulatora kasetne	18	Sešskaitļu uzgriežņu atslēga	19	Atlaišanas svira
20	Svira (slīpā leņķa regulēšanai)	21	Iezāģēšanas plātne	22	Apakšējās robežas regulēšanas skrūve	23	Lampas slēdzis
24	Lāzera slēdzis	-	-	-	-	-	-

UZSTĀDĪŠANA

Galda uzstādīšana

▲BRĪDINĀJUMS: Nodrošiniet, lai darbarīks uz atbalsta virsmas neizkustas. Leņķzāģa izkustēšanās uz atbalsta virsmas zāģēšanas laikā var izraisīt kontroles zudumu un nopietnus ievainojumus.

1. Ar divām skrūvēm pieskrūvējiet pamatni uz līmeniskas un stabilas virsmas. Tādējādi pamatne neapgāzīsies un netiks radītas traumas.

► Att.4: 1. Bultskrūve

FUNKCIJU APRAKSTS

▲BRĪDINĀJUMS: Vienmēr pirms darbarīka regulēšanas vai funkciju pārbaudes pārbaudiet, vai instruments ir izslēgts un akumulatora kasetne ir izņemta. Ja darbarīku neizslēdz un neizņem akumulatora kasetni, tam nejauši ieslēdzoties, var tikt izraisītas smagas traumas.

Akumulatora kasetnes uzstādīšana un izņemšana

▲UZMANĪBU: Vienmēr pirms akumulatora kasetnes uzstādīšanas vai noņemšanas izslēdziet darbarīku.

▲UZMANĪBU: Uzstādot vai izņemot akumulatora kasetni, darbarīku un akumulatora kasetni turiet cieši. Ja darbarīku un akumulatora kasetni netur cieši, tie var izkrist no rokām un radīt bojājumus darbarīkam un akumulatora kasetnei, kā arī izraisīt ievainojumus.

- **Att.5:** 1. Sarkanās krāsas indikators 2. Poga 3. Akumulatora kasetne

Lai izņemtu akumulatora kasetni, izvelciet to no darbarīka, pārbīdot kasetnes priekšpusē esošo pogu.

Lai uzstādītu akumulatora kasetni, salāgojiet mēlīti uz akumulatora kasetnes ar rievu ietvarā un iebīdiet to vietā. Ievietojiet to līdz galam, līdz tā ar klikšķi nofiksējas. Ja pogas augšējā daļā redzams sarkanās krāsas indikators, tas nozīmē, ka tā nav pilnīgi fiksēta.

▲UZMANĪBU: Vienmēr ievietojiet akumulatora kasetni tā, lai sarkanais indikators nebūtu redzams. Pretējā gadījumā tā var nejauši izkrist no darbarīka un izraisīt jums vai apkārtējiem traumas.

▲UZMANĪBU: Neievietojiet akumulatora kasetni ar spēku. Ja kasetne neslīd ietvarā viegli, tā nav pareizi ielikta.

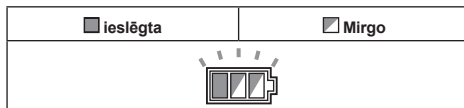
Darbarīka/akumulatora aizsardzības sistēma

Darbarīkam ir darbarīka/akumulatora aizsardzības sistēma. Šī sistēma automātiski izslēdz strāvas padevi motoram, lai pagarinātu darbarīka un akumulatora darbmūžu. Lietošanas laikā darbarīks automātiski pārstās darboties, ja darbarīku vai akumulatoru pakļaus kādam no šādiem apstākļiem.

Aizsardzība pret pārslodzi

Ja darbarīku ekspluatācijas laikā lieto tādā veidā, ka tas saista pārmērīgu strāvu, darbarīks automātiski pārstāj darboties bez jebkādam norādēm. Šādā gadījumā izslēdziet darbarīku un pārtrauciet darbību, kas izraisīja darbarīka pārslodzi. Tad ieslēdziet darbarīku, lai atsāktu darbu.

Aizsardzība pret pārkaršanu



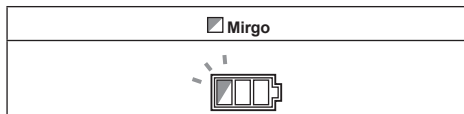
Kad darbarīks ir pārkaršis, tas automātiski pārstāj darboties, un apmēram 60 sekundes mirgo akumulatora indikators. Šādā gadījumā ļaujiet darbarīkam atdzist, pirms atkārtotas darbarīka ieslēgšanas.

Aizsardzība pret akumulatora pārmērīgu izlādi

Kad akumulatora jauda ir zema, darbarīks automātiski pārstāj darboties. Ja darbarīks nedarbojas, pat ieslēdzot slēdžus, no darbarīka izņemiet akumulatoru un veiciet akumulatoram uzlādi.

Aizsardzības sistēmas atcelšanas slēdzis

Kad aizsardzības sistēma tiek atkārtoti aktivizēta, darbarīks ir bloķēts un akumulatora indikators mirgo.






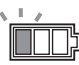
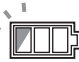


Šādā gadījumā izslēdziet slēdži un novērsiet iemeslu, kas aktivizē aizsardzības sistēmu, pēc tam atkal ieslēdziet slēdži. Ja darbarīks pēc slēdža atkārtotas ieslēgšanas nedarbojas, izņemiet akumulatora kasetni un uzlādējiet akumulatoru.

Atlikušās akumulatora jaudas indikators

- **Att.6:** 1. Akumulatora indikators

Kad nospiežat slēdža mēlīti, akumulatora indikators rāda atlikušo akumulatora jaudu.









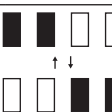
Akumulatora indikatora stāvoklis			Atlikušā akumulatora jauda
 Ieslēgts	 Izslēgts	 Mirgo	
			No 50% līdz 100%
			No 20% līdz 50%
			No 0% līdz 20%
			Akumulatora uzlāde

Atlikušās akumulatora jaudas indikators

Tikai akumulatora kasetnēm ar indikatoru

► **Att.7:** 1. Indikatora lampas 2. Pārbaudes poga



Nospiediet akumulatora kasetnes pārbaudes pogu, lai pārbaudītu akumulatora atlikušo uzlādes līmeni. Indikatoru iedegsies uz dažām sekundēm.

Indikatora lampas			Atlikusī jauda
			
			No 75% līdz 100%
			No 50% līdz 75%
			No 25% līdz 50%
			No 0% līdz 25%
			Uzslādējiet akumulatoru.
			Iespējama akumulatora kļūme.

PIEZĪME: Reālā jauda var nedaudz atšķirties no norādītās atkarībā no lietošanas apstākļiem un apkārtējās temperatūras.

Automātiskā ātruma maiņas funkcija

► **Att.8:** 1. Režīma indikators

Režīma indikatora stāvoklis	Darbības režīms
	Liela darbības ātruma režīms
	Liela griezes momenta režīms

Šim darbarīkam ir „liela ātruma režīms” un „liela griezes momenta režīms”. Tas automātiski maina ekspluatācijas režīmu atkarībā no darba slodzes. Kad ekspluatācijas laikā izgaismojas režīma indikators, darbarīkam ir ieslēgts liela griezes momenta režīms.

Aiztura tapa

UZMANĪBU: Atlaižot aiztura tapu, vienmēr turiet rokturi. Pretējā gadījumā rokturis atlec un var tikt izraisīta trauma.

Lai atlaistu aiztura tapu, viegli spiediet rokturi uz leju un pavelciet aiztura tapu.

► **Att.9:** 1. Aiztura tapa

Asmens aizsargs

BRĪDINĀJUMS: Nekad neizjauciet un nenogremiet asmens aizsargu vai atsperi, kas piestiprināta aizsargam. Nenosegts asmens pēc aizsarga noņemšanas var izraisīt nopietnus ievainojumus ekspluatācijas laikā.

BRĪDINĀJUMS: Nekad neizmantojiet darbarīku, ja asmens aizsargs vai atsperē ir bojāta, darbojas nepareizi vai ir noņemta. Izmantojot darbarīku ar bojātu, nepareizi darbojošos vai noņemtu atsperi, var izraisīt nopietnus ievainojumus.

UZMANĪBU: Ja konstatējat, ka asmens aizsargs nav pilnībā kārtībā, nekavējoties pārtrauciet lietošanu. Ja konstatējat, ka asmens aizsargs darbojas nepareizi, nekavējoties pārtrauciet asmens lietošanu. Pārbaudiet, vai aizsarga atspere nosprīgojuma darbība ir pareiza.

► **Att.10:** 1. Asmens aizsargs

Nolaižot rokturi, asmens aizsargs automātiski pacelsies. Aizsargs ir nosprīgots ar atsperi tā, ka tas atgriežas sākotnējā stāvoklī, kad zāģēšana ir pabeigta un rokturis ir pacelts.

Tīrīšana

► **Att.11:** 1. Asmens aizsargs

Ja caurspīdīgais asmens aizsargs kļūst netīrs vai tam ir pielipušas tik daudz zāģu skaidas, ka asmens un/vai apstrādājams materiāls ir grūti saskatāms, izņemiet akumulatora kasetni un ar mitru drānu rūpīgi notīriet aizsargu. Uz plastmasas aizsarga neizmantojiet šķīdinātājus vai kādus tīrītājus uz naftas produktu bāzes, jo tas var radīt aizsarga bojājumus.

Lai veiktu tīrīšanu, paceliet asmens aizsargu, skatot arī nodaļas „Zāģa asmens uzstādīšana un noņemšana” informāciju. Pēc tīrīšanas noteikti uzstādiet atpakaļ asmeni, centrālo apvalku un pievelciet seššķautņu bultskrūvi.

1. Pārlicinieties, ka darbarīks ir izslēgts un akumulatora kasetne — izņemta.
2. Griežiet seššķautņu bultskrūvi pretējā pulksteņrādītāja kustības virzienam, izmantojot komplektā iekļauto seššķautņu uzgriežņu atslēgu, vienlaikus turot centrālo apvalku.
3. Paceliet asmens aizsargu un centrālo apvalku.
4. Kad tīrīšana pabeigta, novietojiet atpakaļ centrālo pārsegu un pievelciet seššķautņu bultskrūvi, veicot iepriekš minētās darbības pretējā secībā.

BRĪDINĀJUMS: Neņemiet atsperi, ar ko piestiprināts asmens aizsargs. Ja aizsargs laika gaitā vai ultravioletā starojuma ietekmē tiek sabojāts, iegādājieties Makita apkopes centrā jaunū aizsargu. **NEIZJAUCIET UN NENOĒMIET AIZSARGU.**

Iezāģēšanas plātnes novietošana

Šī darbarīka pagriežamajā pamatnē atrodas iezāģēšanas plātnes, lai zāģējuma beigās nesabojātu materiālu. Iezāģēšanas plātnes ir noregulētas rūpnīcā tā, lai zāģa asmens nesaskartos ar tām. Pirms ekspluatācijas noregulējiet iezāģēšanas plātnes šādi:

1. Noteikti izņemiet akumulatora kasetni. Tad, atlaižot visas skrūves (kopā 2 — labajā un kreisajā pusē), ar ko piestiprinātas iezāģēšanas plātnes.

► **Att.12:** 1. Iezāģēšanas plātnē 2. Skrūvē

2. Pieskrūvējiet tās atpakaļ tā, lai iezāģēšanas plātnes varētu viegli pārvietot ar roku.

3. Nolaidiet rokturi uz leju līdz galam, iespiediet aiztura tapu, lai to nobloķētu zemākajā stāvoklī.

4. Noregulējiet iezāģēšanas plātnes tā, lai tās saskartos tikai ar asmens zobu malām.

► **Att.13**

► **Att.14:** 1. Zāģa asmens 2. Asmens zob 3. Iezāģēšanas plātne 4. Kreisās puses slīpā zāģēšana 5. Taisna griešana

5. Pievelciet skrūves (nepievelciet cieši).

6. Pēc iezāģēšanas plātņu noregulēšanas atļaidiet aiztura tapu un paceliet rokturi. Tad cieši pieskrūvējiet visas skrūves.

IEVĒRĪBAI: Pēc slīpuma leņķa iestatīšanas, pārbaudiet, vai iezāģēšanas plātnes ir pareizi noregulētas. Iezāģēšanas plātņu pareiza noregulēšana palīdz nodrošināt pareizu apstrādājamā materiāla atbalstu, samazinot apstrādājamā materiāla norāvumu.

Maksimālās zāģēšanas jaudas saglabāšana

Šis darbarīks ir rūpnīcā noregulēts tā, lai nodrošinātu maksimālo zāģēšanas jaudu 165 mm zāģa asmenim. Uzstādot jaunu asmeni, vienmēr pārbaudiet tā zemāko robežatzīmes stāvokli un, ja vajadzīgs, regulējiet to, kā tālāk norādīts:

1. Noņemiet akumulatora kasetni. Nolaidiet rokturi uz leju līdz galam.

2. Izmantojiet sešstūra uzgriežņu atslēgu, lai pagrieztu apakšējā ierobežotāja regulēšanas bultskrūvi, līdz zāģa asmens ieslīd nedaudz zem vadotnes ierobežotāja šķērsdaļas un pagriežamās pamatnes augšpusēs.

► **Att.15:** 1. Regulēšanas bultskrūve

► **Att.16:** 1. Vadotnes ierobežotājs

3. Ar roku pagrieziet asmeni līdz galam lejup, turot rokturi, lai pārliecinātos par to, vai asmens nesaskaras ar apakšējo pamatni. Ja nepieciešams, nedaudz pārregulējiet.

BRĪDINĀJUMS: Pēc jauna asmens uzstādīšanas, kad akumulatora kasetne ir izņemta, vienmēr pārbaudiet, vai asmens nesaskaras ne ar vienu apakšējās pamatnes daļu, kad rokturis ir pilnībā nolaists. Ja asmens saskaras ar pamatni, tas var izraisīt atsitieni un nopietnus ievainojumus.

► **Att.17**

Apakšējais ierobežotājs

Atkarībā no valsts

Šis darbarīks ir aprīkots ar apakšējo ierobežotāju un mazajiem apakšējiem ierobežotājiem.

Apakšējais ierobežotājs

BRĪDINĀJUMS: Veicot slīpleņķa zāģēšanu, vienmēr noņemiet apakšējo ierobežotāju. Neievērojot šo noteikumu, varat gūt nopietnas traumas.

► **Att.18:** 1. Apakšējais ierobežotājs

Veidojot griezumus (izņemot slīpleņķa zāģēšanu), izmantojiet apakšējo ierobežotāju, lai atbalstītu apstrādājamo materiālu.

Mazais apakšējais ierobežotājs

UZMANĪBU: Veicot slīpleņķa zāģēšanu uz labo pusi, salokiet mazos apakšējos ierobežotājus. Pretējā gadījumā tie var saskarties ar asmeni vai darbarīka daļu, kā rezultātā operators var gūt smagas traumas.

► **Att.19:** 1. Mazais apakšējais ierobežotājs 2. Skala

Veidojot vertikālu griezumu vai veicot slīpleņķa zāģēšanu pa kreisi, uzlokiet tos uz augšu, lai atbalstītu apstrādājamo materiālu. Vadotnes ierobežotājam ir 10 mm intervālu skala.

Leņķa regulēšana

► **Att.20:** 1. Stiprinājuma skrūve 2. Pagriežamā pamatne 3. Leņķa skala 4. Rādītājs

1. Atbrīvojiet stiprinājuma skrūvi, pagriežot pretēji pulksteņrādītāju kustības virzienam.

2. Noregulējiet pagriežamās pamatnes leņķi. Par norādi lietojiet rādītāju un leņķa skalu.

3. Cieši pievelciet stiprinājuma skrūvi, pagriežot to pulksteņrādītāju kustības virzienā.

UZMANĪBU: Pēc zāģēšanas leņķa maiņas vienmēr nostipriniet pagriežamo pamatni, cieši pievelkot stiprinājuma skrūvi.

IEVĒRĪBAI: Griežot pagriežamo pamatni, obligāti paceliet rokturi līdz galam.

Slīpā leņķa noregulēšana

Lai noregulētu slīpuma leņķi, pagrieziet sviru darbarīka aizmugurē uz leju.

► **Att.21:** 1. Svira

Lai sasvērtu asmeni pa kreisi, turiet rokturi un sasveriet zāģa galvu. Par norādi lietojiet slīpā leņķa skalu un rādītāju. Pēc tam pagrieziet sviru stingri uz augšu, lai nofiksētu zāģa galvu.

► **Att.22:** 1. Rādītājs 2. Slīpā leņķa skala

Lai sasvērtu asmeni pa labi, turiet rokturi, sasveriet zāģa galvu nedaudz pa kreisi un nospiediet atlaišanas pogu. Turot nospiestu atlaišanas pogu, sasveriet zāģa asmeni pa labi. Pagrieziet sviru stingri uz augšu, lai nofiksētu zāģa galvu.

► **Att.23:** 1. Atlaišanas poga

UZMANĪBU: Pēc zāģēšanas slīpuma leņķa maiņas vienmēr nostipriniet zāģa galvu, pagriežot sviru stingri uz augšu.

IEVĒRĪBAI: Noliecot zāģa asmeni, nodrošiniet, lai rokturis ir pilnībā pacelts.

IEVĒRĪBAI: Mainot zāģēšanas leņķus, pārbaudiet, vai iezāģēšanas plātnes ir novietotas pareizi, kā paskaidrots sadaļā „Iezāģēšanas plātņu novietošana”.

46° slīpuma leņķa iestatīšana

1. Atlaidiet sviru un sasveriet asmeni pa kreisi vai pa labi līdz galam.
► **Att.24:** 1. Svira
2. Lai sasvērtu asmeni pa kreisi, turiet rokturi, sasveriet zāģa galvu nedaudz pa labi un pēc tam pārvietojiet atlaišanas sviru bultiņas virzienā. Slīpuma leņķi var regulēt no 45° līdz 46°, sasverot zāģa galvu un vienlaikus pārvietojot atlaišanas sviru.
Lai sasvērtu asmeni pa labi, turiet rokturi, sasveriet zāģa galvu nedaudz pa kreisi un pēc tam pārvietojiet atlaišanas sviru bultiņas virzienā. Slīpuma leņķi var regulēt no 45° līdz 46°, sasverot zāģa galvu un vienlaikus pārvietojot atlaišanas sviru.
► **Att.25:** 1. Svira 2. Atlaišanas svira
3. Pagrieziet sviru stingri uz augšu, lai nofiksētu zāģa galvu.

Sviras stāvokļa regulēšana

Ja laika gaitā svira vairs nenodrošina pilnīgu pievilcumu, mainiet sviras stāvokli. Sviras stāvokli var mainīt par 30°. Atlaidiet un izņemiet skrūvi, kas nostiprina sviru. Noņemiet sviru un uzstādiet to tā, lai svira tiktu vērsta nedaudz virs horizontālās virsmas. Tad cieši pievelciet sviru ar skrūvi.
► **Att.26:** 1. Svira 2. Skrūve

Slēdža darbība

▲BRĪDINĀJUMS: Pirms akumulatora kasetnes ievietošanas darbarīkā, vienmēr pārbaudiet, vai slēdža mēlīte darbojas pareizi un pēc atlaišanas atgriežas „OFF” (izslēgts) stāvoklī. Lietojot darbarīku, kura slēdzis nedarbojas pareizi, var zaudēt kontroli un radīt nopietnas traumas.

▲BRĪDINĀJUMS: NEKAD neizmantojiet darbarīku, kam mēlīte pilnībā nedarbojas. Darbarīks ar bojātu mēlītes funkciju ir ĻŪTI BĪSTAMS un pirms turpmākas izmantošanas ir jāsalabo, pretējā gadījumā var izraisīt nopietnus ievainojumus.

▲BRĪDINĀJUMS: Jūsu drošības nolūkos šis darbarīks ir aprīkots ar atbloķēšanas pogu, kas nepieļauj darbarīka iedarbināšanu bez uzraudzības. **NEKAD neekspluatējiet darbarīku, ja tas darbojas, kad vienkārši pavelciet slēdža mēlīti, nenospiežot atbloķēšanas pogu.** Slēdzis, ko nepieciešams labot, var izraisīt neparedzētu darbību un radīt nopietnus ievainojumus. PIRMS turpmākas ekspluatācijas nododiet darbarīku Makita apkopes centrā, lai to atbilstīgi saremontētu.

▲BRĪDINĀJUMS: NEKAD neizjauciet atbloķēšanas pogu, to neaplīmējiet un citādāk nepārveidojiet. Slēdzis ar izjauktu atbloķēšanas pogu var izraisīt neparedzētu darbību un radīt smagas traumas.

IEVĒRĪBAI: Nevelciet slēdža mēlīti ar spēku, neiespiežot atbloķēšanas pogu uz iekšu. Rezultātā var tikt sabojāts slēdzis.

Lai slēdža mēlītes nejauši nepavilkto, darbarīkam ir bloķēšanas poga. Lai iedarbinātu darbarīku, iespiežiet uz iekšu bloķēšanas pogu un pavelciet slēdža mēlīti. Lai apturētu darbarīku, atlaidiet slēdža mēlīti.
► **Att.27:** 1. Bloķēšanas poga 2. Piekaramās slēdzes atvere 3. Slēdža mēlīte

Lampas ieslēgšana

▲UZMANĪBU: Šī lampa nav ūdensnecaurlaidīga. Nemasgājiet lampu ūdenī un nelietojiet to lietū vai mitrā vietā. Šādi rīkojoties, varat izraisīt elektrotriecienu risku un izgarojuma tvaukus.

▲UZMANĪBU: Nepieskarities lampas lēcai, jo degot vai uzreiz pēc izslēgšanas tā ir ļoti karsta. Rezultātā varat gūt apdegumu.

▲UZMANĪBU: Neradiet lampai triecienu, jo tādējādi varat to bojāt vai saīsināt ekspluatācijas laiku.

▲UZMANĪBU: Nevirziet lampas starus sev acīs. Tā varat traumēt acis.

▲UZMANĪBU: Kad lampa ir iedegta, nenosedziet to ar apģērbu, papi, kartonu vai līdzīgiem priekšmetiem, jo varat izraisīt ugunsgrēku vai aizdegšanos.

▲UZMANĪBU: Neskatieties gaismā, neļaujiet tās avotam iespīdēt acīs.

Lai ieslēgtu lampu, nospiediet slēdža augšējo daļu (I). Lai izslēgtu lampu, nospiediet slēdža apakšējo daļu (0).
► **Att.28:** 1. Lampa 2. Lampas slēdzis

PIEZĪME: Ar sausu lupatiņu notīriet netīrumus no lampas lēcas. Izvairieties saskrāpēt lampas lēcu, jo tādējādi tiek samazināts apgaismojums.

PIEZĪME: Pārliedzinieties, vai slēdzis ir izslēgts, jo ieslēgts slēdzis patērē akumulatora jaudu.

Lāzera stara darbība

▲UZMANĪBU: Nekādā gadījumā neskatieties lāzera starā. Tiešs lāzera stars var ievainot acis.

Lai ieslēgtu lāzera staru, nospiediet slēdža augšējo daļu (I). Lai izslēgtu lāzera staru, nospiediet slēdža apakšējo daļu (0).

► **Att.29:** 1. Lāzera slēdzis

PIEZĪME: Pārliedzinieties, vai slēdzis ir izslēgts, jo ieslēgts slēdzis patērē akumulatora jaudu.

Lāzera līniju var pārvietot gan uz kreiso, gan labo zāģa asmens pusi, pagriežot regulēšanas skrūvi, kā norādīts.

► **Att.30:** 1. Regulēšanas skrūve

1. Atskrūvējiet regulēšanas skrūvi, griežot to pretēji pulksteņrādītāja kustības virzienam.
2. Kad regulēšanas skrūve ir izskrūvēta, virziet to pa labi vai pa kreisi līdz galam.
3. Cieši pievelciet regulēšanas skrūvi stāvoklī, kurā to vairs nevar pavirzīt.

PIEZĪME: Lāzera līnija ir noregulēta rūpnīcā 1 mm robežās no asmens malas virsmas (zāģēšanas stāvoklī).

PIEZĪME: Ja tiešā saules gaismā lāzera līnija ir blāva un slikti redzama, pārvietojiet darba zonu uz vietu, kurā ir mazāk tiešas saules gaismas.

Lāzera līnijas savietošana

Apstrādājamā materiāla zāģēšanas līnijas savietošana ar lāzera līniju.

► Att.31

- A) Ja vēlaties iegūt pareizu izmēru apstrādājamā materiāla kreisajā pusē, pavisiet lāzera līniju asmens kreisajā pusē.
B) Ja vēlaties iegūt pareizu izmēru apstrādājamā materiāla labajā pusē, pavisiet lāzera līniju asmens labajā pusē.

MONTĀŽA

▲BRĪDINĀJUMS: Vienmēr pirms darbarīka labošanas pārbaudiet, vai instruments ir izslēgts un akumulatora kasetne ir izņemta. Ja darbarīku neizslēdz un akumulatora kasetni neizņem, var tikt izraisītas smagas traumas.

Sešstūra atslēgas uzglabāšana

Seššķautņu uzgriežņu atslēgu glabā tā, kā parādīts zīmējumā. Kad gala seššķautņu uzgriežņatslēga ir nepieciešama, to var izvilkēt no uzgriežņatslēgas turētāja.

Pēc seššķautņu uzgriežņatslēgas izmantošanas to var nolikt atpakaļ glabāšanā uzgriežņatslēgas turētājā.

- **Att.32:** 1. Uzgriežņu atslēgas turētājs
2. Seššķautņu uzgriežņu atslēga

Zāģa asmens uzstādīšana un noņemšana

▲BRĪDINĀJUMS: Vienmēr pirms asmens uzstādīšanas vai noņemšanas pārbaudiet, vai instruments ir izslēgts un akumulatora kasetne ir izņemta. Darbarīka netaisna iedarbināšana var izraisīt nopietnus ievainojumus.

▲UZMANĪBU: Asmeni uzstādiat vai noņemat tikai ar komplektācijā esošo Makita seššķautņu uzgriežņu atslēgu. Ja tā nerīkosities, seššķautņu padziļinājuma bultskrūve būs pieskrūvēta pārāk cieši vai pārāk vaļīgi. Tādējādi var rasties trauma.

Lai noņemtu asmeni, veiciet tālāk minētās darbības:

1. Atbrīvojiet aiztura tapu un pēc tam nobloķējiet to paceltā stāvoklī, nospiežot aiztura tapu.

► **Att.33:** 1. Aiztura tapu

2. Ar seššķautņu uzgriežņu atslēgu atlaidiet seššķautņu bultskrūvi, ar ko piestiprināts centrālais apvalks, griežot to pretēji pulksteņrādītāju kustības virzienam. Tad paceliet asmens aizsargu un centrālo apvalku.

► **Att.34:** 1. Centrālais apvalks 2. Seššķautņu bultskrūve 3. Seššķautņu uzgriežņu atslēga 4. Asmens aizsargs

3. Nospiediet vārpstas bloķētāju, lai nobloķētu vārpstu, un ar seššķautņu uzgriežņu atslēgu pulksteņrādītāja virzienā atskrūvējiet seššķautņu padziļinājuma bultskrūvi. Pēc tam izņemiet vārpstas seššķautņu bultskrūvi, ārējo atloku un asmeni.

► **Att.35:** 1. Vārpstas bloķētājs 2. Seššķautņu bultskrūve 3. Ārējais atloks

4. Noņemot iekšējo atloku, noteikti uzstādiat to atpakaļ uz vārpstas ar asmens stiprinājumu pret asmeni. Ja atloks ir uzstādīts nepareizi, atloks berzēsies pret instrumentu.

► **Att.36:** 1. Ārējais atloks 2. Zāģa asmens 3. Iekšējais atloks 4. Seššķautņu bultskrūve (ar kreiso vītņi) 5. Vārpsta 6. Asmens stiprinājuma daļa

Lai uzstādītu asmeni, veiciet tālāk minētās darbības:

1. Uzmanīgi uzstādiat asmeni uz iekšējā atloka. Uzstādot asmeni, pārliecinieties, ka bultņģis virziens uz asmens atbilst bultņģas virzienam uz asmens korpusa.

► **Att.37:** 1. Zāģa asmens 2. Bultņģa

2. Uzstādiat ārējo atloku un seššķautņu bultskrūvi, un tad ar seššķautņu uzgriežņu atslēgu pretēji pulksteņrādītāju kustības virzienam cieši pieskrūvējiet vārpstas seššķautņu bultskrūvi (ar kreiso vītņi), turot nospiestu vārpstas bloķētāju.

3. Novietojiet asmens aizsargu un centrālo apvalku to sākotnējā stāvoklī. Tad, lai nostiprinātu centrālo apvalku, pulksteņrādītāju kustības virzienā pievelciet centrālā apvalka seššķautņu bultskrūvi.

4. Pavelkot aiztura tapu, atbrīvojiet rokturi no paceltā stāvokļa. Nolaidiet rokturi, lai pārliecinātos, vai asmens aizsargs virzās pareizi.

5. Pirms zāģēšanas pārbaudiet vai vārpstas bloķētājs ir vārpstu atbloķējis.

Darbarīkam ar iekšējo atloku, kas paredzēts zāģa asmenim ar atvērumu 15,88 mm diametrā

Atkarībā no valsts

Uz stiprinājuma ass uzstādiat iekšējo atloku ar tā padziļināto pusi uz āru, tad uzlieciat zāģa asmeni (ja nepieciešams, ar piestiprinātu gredzenu), ārējo atloku un sešstūru galvas skrūvi.

Darbarīkam bez gredzena

► **Att.38:** 1. Ārējais atloks 2. Zāģa asmens 3. Iekšējais atloks 4. Seššķautņu bultskrūve (ar kreiso vītņi) 5. Vārpsta

Darbarīkam ar gredzenu

► **Att.39:** 1. Ārējais atloks 2. Zāģa asmens 3. Iekšējais atloks 4. Seššķautņu bultskrūve (ar kreiso vītņi) 5. Gredzens 6. Vārpsta

▲BRĪDINĀJUMS: Ja asmens uzstādīšanai uz vārpstas nepieciešams gredzens, vienmēr pārbaudiet, vai starp iekšējo un ārējo atloku ir uzstādīts pareizais gredzens izmantojamā asmens vārpstas atverei. Nepareiza vārpstas atveres gredzena izmantošanas dēļ asmens var nebūt piestiprināts pareizi un tas var kustēties, radot spēcīgu vibrāciju, kas, savukārt, var izraisīt vadības zudumu darbības laikā un smagi traumēt.

Darbarīkam ar iekšējo atloku, kas paredzēts zāga asmenim, kam nav atvērums 20 mm vai 15,88 mm diametrā

Atkarībā no valsts

Iekšējam atlokam vienā pusē ir noteikta diametra asmens stiprinājuma daļa, bet otrā pusē asmens stiprinājuma daļai ir diametrs cits. Izvēlieties pareizo pusi, kurā asmens stiprinājuma daļa precīzi atbilst zāga asmens atvērumam.

- **Att.40:** 1. Ārējais atloks 2. Zāga asmens
3. Iekšējais atloks 4. Seššķautņu bultskrūve (ar kreiso vītņi) 5. Vārpsta 6. Asmens stiprinājuma daļa

UZMANĪBU: Pārbaudiet, vai iekšējā atloka asmens stiprinājuma daļa a, kas novietota ārpusē, pilnībā atbilst zāga asmens atvērumam a. Nepareizajā pusē ievietots asmens var izraisīt bīstamas vibrācijas.

Putekļu maiss

Lietojot putekļu maisu, zāgēšanas laikā neizceļas putekļi, jo pavisam vienkāršā veidā tie tiek savākti. Lai uzstādītu putekļu maisu, uzlieciet to uz putekļu sprauslas.

Kad putekļu maiss ir aptuveni līdz pusei piepildīts, noņemiet to nost no darbarīka un stiprinājumu izspiediet ārā. Iztukšojiet maisa saturu, viegli pa to pasītot, lai atdalītu iekšpusē pielipušās daļiņas, kas turpmāk varētu traucēt putekļu savākšanai.

- **Att.41:** 1. Putekļu maiss 2. Putekļsūcēja uzgalis 3. Stiprinājums

PIEZĪME: Ja zāgim pievienosiet putekļsūcēju, darbs ar to būs tīrāks.

- **Att.42**

Apstrādājamā materiāla nostiprināšana

BRĪDINĀJUMS: Ļoti svarīgi ir vienmēr nostiprināt apstrādājamo materiālu ar skrūvspīlēm pareizi. Ja to neizdara, varat izraisīt smagas traumas un bojāt darbarīku un/vai apstrādājamo materiālu.

BRĪDINĀJUMS: Zāgējot apstrādājamo materiālu, kas ir garāks par zāga atbalsta pamatni, materiāls jāatbalsta visā garumā aiz atbalsta pamatnes un tādā pašā augstumā, lai materiāls būtu novietots horizontāli. Pareizs apstrādājamā materiāla atbalsts ļaus novērst asmens iestrēgšanu un iespējamu atsitienu, kas var radīt smagus ievainojumus. Lai nostiprinātu materiālu, neizmantojiet tikai vertikālās un/vai horizontālās skrūvspīles. Plāni materiāli mēdz ieliekties. Nostipriniet apstrādājamo materiālu visā tā garumā, lai asmens neiestrēgtu un lai nerastos ATSITIENS.

- **Att.43:** 1. Atbalsts 2. Pagriežamā pamatne

Vertikālās skrūvspīles

BRĪDINĀJUMS: Veicot visas darbības, stingri nostipriniet apstrādājamo materiālu ar skrūvspīlēm pie pagriežamās pamatnes un vadotnes ierobežotāja. Pretējā gadījumā materiāls griešanas laikā var izkustēties, radot asmens bojājumus; turklāt materiāls var tikt izsviests, radot kontroles zudumu un smagas traumas.

Uzstādi vertikālās skrūvspīles vadotnes ierobežotāja kreisajā vai labajā pusē. Ievietojiet skrūvspīļu stieni vadotnes ierobežotāja atverē un pievelciet apakšējo skrūvi, lai nostiprinātu stieni.

- **Att.44:** 1. Skrūvspīļu svira 2. Skrūvspīļu kļokis 3. Vadotnes ierobežotājs 4. Pagriežamā pamatne 5. Apakšējā skrūve 6. Augšējā skrūve 7. Skrūvspīļu stienis

Novietojiet skrūvspīļu sviru atbilstoši apstrādājamā materiāla biežumam un formai un nostipriniet skrūvspīļu sviru, pievelkot augšējo skrūvi. Ja augšējā skrūve saskaras ar vadotnes ierobežotāju, uzstādi augšējo skrūvi skrūvspīļu sviras pretējā pusē. Pārliecinieties, vai, nolaižot rokturi lejup līdz galam, darbarīks nepiešķaras skrūvspīlēm. Ja kāda darbarīka daļa tām pieskaras, mainiet skrūvspīļu stāvokli.

Spiediet apstrādājamo materiālu līdzien uz vadotnes ierobežotāja un pagriežamās pamatnes. Novietojiet apstrādājamo materiālu vēlamajā zāgēšanas stāvoklī un cieši to piestipriniet, pievelkot skrūvspīļu rokturi.

Pleca siksnas pievienošana

Papildpiederumi

UZMANĪBU: Pirms sākt strādāt ar darbarīku, noņemiet pleca siksnu. Pleca siksnā var savīties un izraisīt traumu.

UZMANĪBU: Pārbaudiet, vai pleca siksnas āķi ir stingri piestiprināti darbarīkam. Ja āķi ir piestiprināti nepilnīgi, tie var atvienoties un izraisīt traumu.

Pleca siksnā ir ērti izmantojama darbarīka pārnēsāšanai. Pievienojiet pleca siksnas āķus darbarīkam, kā redzams attēlā.

- **Att.45:** 1. Pleca siksnā 2. Āķis

EKSPLOATĀCIJA

BRĪDINĀJUMS: Pirms slēdža ieslēgšanas pārbaudiet, vai asmens nesaskaras ar apstrādājamo materiālu u. c. Ja darbarīku ieslēdz, kad asmens saskaras ar apstrādājamo materiālu, var izraisīt atsitienu un nopietnus ievainojumus.

BRĪDINĀJUMS: Pēc zāgēšanas nepaceliet asmeni, kamēr tas nav pilnībā apstājies. Asmens, kas kustas pēc inerces, pacelšana var radīt nopietnus ievainojumus un bojāt apstrādājamo materiālu.

IEVĒRĪBAI: Pirms ekspluatācijas obligāti atbrīvojiet rokturi no zemākā stāvokļa, pavelkot aiztura tapu.

IEVĒRĪBAI: Zāgējot nespiediet pārāk daudz uz roktura. Spiežot pārāk stipri, dzinējam var rasties pārslodze un/vai zāgēšanas efektivitāte var mazināties. Spiediet rokturi uz leju tikai tik spēcīgi, cik vajadzīgs, lai zāgētu vienmērīgi, ievērojami nemazinot asmens ātrumu.

IEVĒRĪBAI: Lai zāgētu, uzmanīgi spiediet uz leju rokturi. Ja rokturi spiedīsiet uz leju spēcīgi vai ja spiedīsiet to no sāniem, asmens vibrēs un vairs nevirzīsies pa atzīmēto līniju uz apstrādājamā materiāla (zāga atzīmi), un zāģis vairs nezāgēs precīzi.

Zāgēšana ar spiedienu (zāgējot mazus materiālus)

► Att.46

Apstrādājamais materiāls 46 mm augstumā un 92 mm platumā iespējams sazāgēt tālāk minētajā veidā.

1. Ar skrūvspīlēm nostipriniet apstrādājamo materiālu.
2. Ieslēdziet darbarīku, asmenim nesaskaroties ar virsmu, un pirms tā nolaišanas lejup nogaidiet, kamēr asmens darbojas ar pilnu jaudu.
3. Lai zāgētu materiālu, uzmanīgi nolaidiet rokturi līdz zemākajam stāvoklim.
4. Kad zāgēšana pabeigta, izslēdziet darbarīku un **nogaidiet, līdz asmens pilnībā apstājies**, pirms atgriežat to atpakaļ pilnīgi paceltā stāvoklī.

Zāgēšana leņķī

Skatiet iepriekš sadaļu „Leņķa regulēšana”.

Slīpleņķa zāgēšana

▲BRĪDINĀJUMS: Pēc asmens iestatīšanas slīpleņķa zāgēšanai un pirms darbarīka iedarbināšanas pārliecinieties, ka zāga galva un asmens brīvi virzās visā paredzētā zāgējuma diapazonā. Zāga galvas vai asmens gājiena pārtraukšana zāgēšanas laikā var izraisīt atsitieni un radīt smagas traumas.

▲BRĪDINĀJUMS: Veicot slīpu zāgēšanu, neturiet rokas asmens ceļā. Asmens leņķis var lietotājam sniegt citu priekšstatu par asmens īsto ceļu zāgēšanas laikā, un saskare ar asmeni izraisa smagas traumas.

▲BRĪDINĀJUMS: Asmeni nedrīkst pacelt, pirms tas ir pilnībā apstājies. Slīpās zāgēšanas laikā nozāģētais gabals var atrasties pie asmens. Ja paceļ rotējošu asmeni, nozāģēto gabalu asmens var izmest gaisā, sadrumstalojot materiālu, kas var izraisīt nopietnus ievainojumus.

▲BRĪDINĀJUMS: Veicot slīpleņķa zāgēšanu, vienmēr noņemiet apakšējo ierobežotāju. Neievērojot šo noteikumu, varat gūt nopietnas traumas.

► Att.47

1. Atļaidiet sviru un, lai uzstādītu slīpo leņķi, sasveriet zāga asmeni (skatiet iepriekš sadaļu „Slīpā leņķa noregulēšana”). Obligāti vēlreiz no jauna cieši pievelciet sviru, lai droši nostiprinātu izvēlēto slīpo leņķi.
2. Ar skrūvspīlēm nostipriniet apstrādājamo materiālu.
3. Ieslēdziet darbarīku, asmenim nesaskaroties ar virsmu, un nogaidiet, kamēr asmens darbojas ar pilnu jaudu.
4. Uzmanīgi nolaidiet rokturi līdz viszemākajam stāvoklim, vienlaikus spiežot paralēli asmenim, lai zāgētu apstrādājamo materiālu.
5. Kad zāgēšana pabeigta, izslēdziet darbarīku un **nogaidiet, līdz asmens pilnībā apstājies**, pirms atgriežat to atpakaļ pilnīgi paceltā stāvoklī.

IEVĒRĪBAI: Spiežot rokturi uz leju, spiediet paralēli asmenim. Ja spiedīsiet perpendikulāri pagriežamajai pamatnei vai ja zāgējot mainīsiet spiešanas virzienu, zāģis vairs nesazāgēs precīzi.

Kombinētā zāgēšana

Kombinētā zāgēšana ir process, kurā slīpais leņķis uz apstrādājamā materiāla tiek veidots vienlaicīgi ar zāgēšanas leņķi. Kombinēto zāgēšanu iespējams veikt tabulā redzamajā leņķī.

Zāgēšanas leņķis	Slīpais leņķis
Pa kreisi un pa labi 45°	Pa kreisi un pa labi 0° – 45°
Pa labi 52°	Pa kreisi 20° – pa labi 45°
Pa kreisi 52°	Pa kreisi 45° – pa labi 20°

Lai veiktu kombinētu zāgēšanu, sk. norādes sadaļā “Zāgēšana ar spiedienu”, “Zāgēšana leņķī” un “Slīpleņķa zāgēšana”.

Alumīnija profilu zāgēšana

- Att.48: 1. Skrūvspīles 2. Starplikas bloks
3. Vadotnes ierobežotājs 4. Alumīnija profils
5. Starplikas bloks

Alumīnija profilu nostiprināšanai izmantojiet starplikas blokus vai atgriezumus gabalus, kā parādīts attēlā, lai alumīnijs netiktu deformēts. Zāgējot alumīnija profilu, izmantojiet zāgēšanas smērvielu, lai uz asmens nenogulsnētos alumīnijs.

▲UZMANĪBU: Nekādā gadījumā nezāgējiet biezus vai apaļus alumīnija profilus. Biezi alumīnija profili darba laikā var kļūt vaļīgi, bet apaļus profilus ar šo darbarīku nav iespējams cieši nostiprināt.

Atkārtota zāgēšana vienādā platumā

Zāgējot vairākus vienāda garuma materiāla gabalus — robežās no 200 mm līdz 330 mm garumam —, ar bloķēšanas plāksni (papildpiederums) darbu paveiksiet daudz efektīvāk. Uzstādiet bloķēšanas plāksni uz turētāja (papildpiederums), kā attēlots zīmējumā.

► Att.49: 1. Bloķēšanas plāksne 2. Turētājs 3. Skrūve
Salāgojiet apstrādājamā materiāla zāgēšanas līniju ar iezāgēšanas plātnes rievās kreiso vai labo pusi un, turot materiālu tā, lai tas neizkustētos, virziet bloķēšanas plāksni vienā līmenī ar materiāla galu. Tad ar skrūvi plāksni pieskrūvējiet.
Ja bloķēšanas plāksni nelietojat, atskrūvējiet skrūvi un pagrieziet plāksni prom no zāgēšanas zonas.

Darbarīka pārnēsāšana

▲BRĪDINĀJUMS: Aiztura tapa ir paredzēta tikai pārnēsāšanai un glabāšanai, un to nedrīkst izmantot zāģēšanas darbībām. Izmantojot aiztura tapu zāģēšanas laikā, iespējams izraisīt neparedzētu zāģa asmens izkustēšanos, kas radīs atsitieni un nopietnus ievainojumus.

▲UZMANĪBU: Pirms darbarīka nešanas vienmēr nostipriniet visas kustīgās daļas. Ja darbarīka daļas pārnēsāšanas laikā kustas, varat zaudēt kontroli vai līdzsvaru, tādējādi gūstot traumas.

1. Izņemiet akumulatora kasetni.
2. Nostipriniet asmeni 0° slīpā leņķī un pagriežamo pamatni — zāģēšanas leņķī uz labo pusi līdz galam.
▶ **Att.50:** 1. Pagriežamā pamatne
3. Nolaidiet rokturi uz leju līdz galam un nobloķējiet to zemākajā stāvoklī, nospiežot aiztura tapu.
4. Nesiet darbarīku, turot aiz roktura.
▶ **Att.51**

APKOPE

▲BRĪDINĀJUMS: Lai darba rezultāts būtu maksimāli kvalitatīvs un drošs, vienmēr pārbaudiet, vai asmens ir ass un tīrs. Mēģinot zāģēt ar trulu un/ vai netīru asmeni, iespējams izraisīt atsitieni un radīt nopietnus ievainojumus.

▲UZMANĪBU: Pirms darbarīka pārbaudes vai apkopes vienmēr pārliecinieties, ka darbarīks ir izslēgts un akumulatora kasetne ir izņemta.

IEVĒRĪBAI: Nekad neizmantojiet gazoilnu, benzīnu, atšķaidītāju, spirtu vai līdzīgus šķidrumus. Tas var radīt izbalēšanu, deformāciju vai plaisas.

Lai saglabātu izstrādājuma DROŠU un UZTICAMU darbību, remontdarbus, apkopi un regulēšanu uzticiet veikt tikai Makita pilnvarotam vai rūpnīcas apkopes centram, un vienmēr izmantojiet tikai Makita rezerves daļas.

Zāģēšanas leņķa noregulēšana

Šis darbarīks ir uzmanīgi noregulēts un savietots rūpnīcā, taču, ja ar to nerīkosieties saudzīgi, tas vairs var nebūt pareizi noregulēts. Ja darbarīks nav pareizi savietots, rīkojieties šādi:

Zāģēšanas leņķis

1. Atbrīvojiet stiprinājuma skrūvi, pagriežot pretēji pulksteņrādītāju kustības virzienam.
2. Griežiet pagriežamo pamatni tā, lai rādītājs būtu vērsts pret 0° atzīmi uz zāģēšanas leņķa skalas.
▶ **Att.52:** 1. Stiprinājuma skrūve 2. Pagriežamā pamatne 3. Zāģēšanas leņķa skala 4. Rādītājs

3. Griežiet pagriežamo pamatni pulksteņrādītāju kustības virzienā un pretēji tam, lai to iestāftu 0° zāģēšanas leņķa ierobā. (Atstājiet to, kā ir, ja rādītājs nav vērsts pret 0° leņķa atzīmi.)

4. Ar seššķautņu uzgriežņu atslēgu atskrūvējiet seššķautņu padziļinājuma bultskrūvi, ar ko piestiprināts vadotnes ierobežotājs.

▶ **Att.53:** 1. Vadotnes ierobežotājs 2. Sešstūra iedobes skrūve

▶ **Att.54:** 1. Vadotnes ierobežotājs 2. Sešstūra iedobes skrūve

5. Nolaidiet rokturi uz leju līdz galam un nobloķējiet to zemākajā stāvoklī, nospiežot aiztura tapu.

6. Ar trijstūri, leklālu u. c. izlīdziniet vadotnes ierobežotāju, līdz tas veido perpendikulāru leņķi ar asmeni. Pēc tam cieši pievelciet vadotnes ierobežotāja sešstūra iedobes skrūvi.

▶ **Att.55:** 1. Vadotnes ierobežotājs 2. Trijstūris 3. Zāģa asmens

7. Pārbaudiet, vai rādītājs ir vērsts pret 0° leņķa atzīmi uz zāģēšanas leņķa skalas. Ja rādītājs nav vērsts pret 0° leņķa atzīmi, atļaidiet skrūvi, ar ko piestiprināts rādītājs, un regulējiet pēdējo tā, lai tas būtu vērsts pret 0° leņķa atzīmi.

▶ **Att.56:** 1. Skrūve 2. Leņķa skala 3. Rādītājs

Slīpais leņķis

0° slīpais leņķis

1. Nolaidiet rokturi uz leju līdz galam un nobloķējiet to zemākajā stāvoklī, nospiežot aiztura tapu.

2. Atbrīvojiet sviru, kas atrodas darbarīka aizmugurē.

3. Lai zāģa galvu sasvērtu uz labo pusi, divus vai trīs apgriezienus pagrieziet 0° slīpuma leņķa regulēšanas bultskrūvi zāģa galvas labajā pusē pretēji pulksteņrādītāju kustības virzienam.
▶ **Att.57:** 1. Regulēšanas bultskrūve 2. Svira

4. Uzmanīgi griežiet 0° grādu slīpleņķa regulēšanas bultskrūvi pulksteņrādītāju kustības virzienā, līdz asmens mala veido perpendikulāru leņķi ar pagriežamās pamatnes augšējo virsmu. Lietojiet trijstūri, leklālu vai citus mērīšanas rīkus kā palīglīdzekļus. Tad sviru cieši pievelciet.

▶ **Att.58:** 1. Trijstūris 2. Zāģa asmens 3. Pagriežamā galda augšpusē

5. Pārbaudiet, vai rādītājs uz kloķa ir vērsts pret 0° leņķa atzīmi uz slīpā leņķa skalas. Ja tas tā nav, atļaidiet skrūvi, ar ko piestiprināts rādītājs, un regulējiet pēdējo tā, lai tas būtu vērsts pret 0° leņķa atzīmi.

▶ **Att.59:** 1. Skrūve 2. Rādītājs 3. Slīpā leņķa skala

45° slīpais leņķis

Regulējiet 45° slīpo leņķi tikai pēc tam, kad ir noregulēts 0° slīpais leņķis.

1. Atļaidiet sviru un sasveriet asmeni pa kreisi līdz galam.

2. Pārbaudiet, vai rādītājs uz kloķa ir vērsts pret 45° leņķa atzīmi uz slīpā leņķa skalas. Ja rādītājs nav vērsts pret 45° leņķa atzīmi, pagrieziet kloķa labajā pusē esošo kreisā 45° slīpā leņķa regulēšanas bultskrūvi, līdz rādītājs ir vērsts pret 45° leņķa atzīmi.

▶ **Att.60:** 1. Labā 45° slīpā leņķa regulēšanas bultskrūve 2. Rādītājs 3. Kreisā 45° slīpā leņķa regulēšanas bultskrūve

3. Sasveriet asmeni pa labi līdz galam un pēc tam noregulējiet labo 45° slīpo leņķi, izmantojot labā 45° slīpā leņķa regulēšanas bultskrūvi.

► **Att.61:** 1. Zāģa asmens 2. Trijstūris

Lāzera līnijas pozīcijas regulēšana

▲BRĪDINĀJUMS: Regulējot lāzera līniju, akumulatora kasetnei ir jābūt uzstādītai uz darbarīka. Rīkojieties ļoti uzmanīgi, lai regulēšanas laikā nejauši neiedarbinātu darbarīku. Darbarīka nejauši iedarbināšana var izraisīt smagus ievainojumus.

▲UZMANĪBU: Nekad neskatieties tieši lāzera starā. Skatīšanās uz tiešu lāzera staru var izraisīt smagus acu bojājumus.

IEVĒRĪBAI: Regulāri pārbaudiet lāzera līnijas precizitāti.

IEVĒRĪBAI: Ņemiet vērā darbarīka radīto ietekmi. Tas var radīt lāzera līnijas nepareizu novietojumu vai sabojāt lāzeru, saišinot tā darbību.

IEVĒRĪBAI: Ja lāzera mehānisms ir sabojājis, remonts jāveic „Makita” pilnvarotajā apkopes centrā.

Lāzera līnijas kustības diapazonu nosaka ar diapazona regulēšanas skrūvēm abās pusēs. Lai mainītu lāzera līnijas pozīciju, veiciet norādītās darbības.

1. Noņemiet akumulatora kasetni.
2. Uz apstrādājamā materiāla uzzīmējiet zāģēšanas līniju, un novietojiet materiālu uz pagriežamās pamatnes. Šajā posmā vēl nenostipriniet apstrādājamo materiālu ar skrūvspīlēm vai līdzīgu nostiprināšanas ierīci.
3. Nolaidiet rokturi un savietojiet zāģēšanas līniju ar zāģa asmeni.
► **Att.62:** 1. Griešanas līnija
4. Atgrieziet rokturi sākotnējā pozīcijā un nostipriniet apstrādājamo materiālu ar vertikālajām skrūvspīlēm tā, lai apstrādājamais materiāls nenovirzītos no noteiktās pozīcijas.
► **Att.63:** 1. Skrūvspīles
5. Pievienojiet akumulatora kasetni darbarīkam un ieslēdziet lāzera slēdzi.
6. Atbrīvojiet regulēšanas skrūves. Lai atbīdītu lāzera līniju no asmens, grieziet diapazona regulēšanas skrūves pretēji pulksteņrādītāju kustības virzienam. Lai piebīdītu lāzera līniju pie asmens, grieziet diapazona regulēšanas skrūves pulksteņrādītāju kustības virzienā.

Lāzera līnijas regulēšana asmens kreisajā pusē

► **Att.64:** 1. Regulēšanas skrūve 2. Diapazona regulēšanas skrūve 3. Sešstūru uzgriežņatslēga 4. Lāzera līnija 5. Zāģa asmens

Lāzera līnijas iestatīšana asmens labajā pusē

► **Att.65:** 1. Diapazona regulēšanas skrūve 2. Sešstūru uzgriežņatslēga 3. Lāzera līnija 4. Zāģa asmens

7. Bīdīiet regulēšanas skrūvi, līdz lāzera līnija pieguļ zāģēšanas līnijai, un pēc tam pievelciet.

PIEZĪME: Lāzera līnijas kustības diapazons rūpnīcā ir noregulēts 1 mm robežās no asmens virsmas malas.

Lāzera gaismas lēcas tīrīšana

Ja lāzera gaismas lēca kļūst netīra, lāzera gaisma kļūst blāva. Regulāri tīriet lāzera gaismas lēcu.

Noņemiet akumulatora kasetni. Atskrūvējiet skrūvi un izņemiet lēcu. Saudzīgi notīriet lēcu ar mitru drānu.

► **Att.66:** 1. Skrūve

► **Att.67:** 1. Lēca

IEVĒRĪBAI: Neizskrūvējiet skrūvi, kas nostiprina lēcu. Ja lēcu nevar izņemt, turpiniet atbrīvot skrūvi.

IEVĒRĪBAI: Tīrot lēcu, nelietojiet šķīdinātājus vai tīrītājus uz naftas produktu bāzes.

Pēc ekspluatācijas

Pēc ekspluatācijas ar lupatīņu vai ko līdzīgu no darbarīka notīriet tam pielipušās skaidas un putekļus. Rūpējieties, lai asmens aizsargs būtu tīrs, ievērojot iepriekš minētajā sadaļā „Asmens aizsargs” minētos norādījumus. Slīdošās daļas ieeļļojiet ar mašīneļļu, lai tās nesarūsētu.

PAPILDU PIEDERUMI

▲BRĪDINĀJUMS: Šos piederumus vai papildierīces ieteicams izmantot kopā ar šajā rokasgrāmatā aprakstīto Makita darbarīku. Citu piederumu vai papildierīču izmantošana var radīt nopietnus ievainojumus.

▲BRĪDINĀJUMS: Piederumu vai papildierīces izmantojiet tikai tām paredzētajam mērķim. Piederumu vai papildierīču nepareiza lietošana var radīt nopietnus ievainojumus.

Ja jums vajadzīga palīdzība vai precīzāka informācija par šiem piederumiem, vērsieties savā tuvākajā Makita apkopes centrā.

- Zāģa asmeņi ar karbīda uzgaļiem
- Turētāja stieņa mezgls
- Bloķēšanas plāksne
- Pleca sikсна
- Makita oriģinālais akumulators un lādētājs

PIEZĪME: Daži sarakstā norādītie izstrādājumi var būt iekļauti instrumenta komplektācijā kā standarta piederumi. Tie dažādās valstīs var būt atšķirīgi.

SPECIFIKACIJOS

Modelis:	DLS600
Disko skersmuo	165 mm
Angos (veleno) skersmuo	20 mm
Didž. išžambus kampas	Kairėje 52°, dešinėje 52°
Didž. įstrižas kampas	Į kairę 45° (46° naudojant atleidimo svirtelę), Į dešinę 45° (46° naudojant atleidimo svirtelę)
Be apkrovos	5 000 min ⁻¹
Lazerio tipas	Raudonas lazeris 650 nm, didžiausia išvestis < 1,6 mW (2M lazerio klasė)
Matmenys (I x P x A)	340 mm x 400 mm x 440 mm
Vardinė įtampa	N.S. 18 V
Standartinė akumuliatoriaus kasetė	BL1815N / BL1820 / BL1820B / BL1830 / BL1830B / BL1840 / BL1840B / BL1850 / BL1850B / BL1860B
Įkroviklis	DC18RC / DC18RD / DC18SD / DC18SE / DC18SF
Grynasis svoris	6,3–6,6 kg

Didžiausias pjovimo pajėgumas (A x P), naudojant 165 mm diską

Nuožulnis kampas	Įstrižasis kampas		
	45° (kairėje)	0°	45° (dešinėje)
0°	30 mm x 92 mm	46 mm x 92 mm	15 mm x 92 mm
45° (kairėje ir dešinėje)	30 mm x 65 mm	46 mm x 65 mm	15 mm x 65 mm

- Atliekame tęsinius tyrimus ir nuolatos tobuliname savo gaminius, todėl čia pateikiamos specifikacijos gali būti keičiamos be įspėjimo.
- Įvairiose šalyse specifikacijos ir akumuliatoriaus kasetė gali skirtis.
- Svoris gali priklausyti nuo priedo (-ų), įskaitant akumuliatoriaus kasetę. Lengviausias ir sunkiausias deriniai pagal EPTA 2014 m. sausio mėn. procedūrą yra parodyti lentelėje.

Simboliai

Toliau yra nurodyti įrangai naudojami simboliai. Prieš naudodami įsitikinkite, ar suprantate jų reikšmę.



Perskaitykite instrukcijų vadovą.



Saugodamiesi sužalojimų, kuriuos gali sukelti skriejančios atliekos, baigę pjauti pjūkle galvutę laikykite nuleidę, kol diskas visiškai sustos.



Neikiškite rankų ir pirštų prie disko.



Niekada nežiūrėkite į lazerio spindulį. Tiesioginis lazerio spindulys gali pažeisti akis.



Taikoma tik ES šalims
Neišmeskite elektros įrangos arba akumuliatoriaus bloko į buitinius šiukšlynus!
Atsižvelgiant į ES direktyvas dėl elektros ir elektroninės įrangos atliekų, dėl baterijų ir akumuliatorių bei baterijų ir akumuliatorių atliekų ir šių direktyvų siekių įgyvendinimą pagal nacionalinius įstatymus, elektros įrangos ir baterijų bei akumuliatorių atliekas būtina surinkti atskirai nuo kitų buitinių atliekų ir atiduoti į antrinių žaliavų perdavimo aplinkai nekenksmingu būdu punktą.

Numatytoji naudojimo paskirtis

Šis įrankis skirtas tiksliai tiesiam ir kūginiam medienos pjovimui. Nenaudokite pjūkle jokioms kitoms medžiagoms pjauti, išskyrus medieną, aliuminį arba panašias.

Triukšmas

Įprastas triukšmo A lygis, nustatytas pagal EN62841:
Garso slėgio lygis (L_{pA}): 90 dB (A)
Garso galios lygis (L_{WA}): 97 dB (A)
Paklaida (K): 3 dB (A)

ĮSPĖJIMAS: Dėvėkite ausų apsaugą.

Vibracija

Vibracijos bendroji vertė (triaušio vektorius suma) nustatyta pagal EN62841 standartą:
Vibracijos emisija (a_{hV}): 2,5 m/s² arba mažiau
Paklaida (K): 1,5 m/s²

PASTABA: Paskelbtasis vibracijos emisijos dydis nustatytas pagal standartinį testavimo metodą ir jį galima naudoti vienam įrankiui palyginti su kitu.

PASTABA: Paskelbtasis vibracijos emisijos dydis taip pat gali būti naudojamas preliminariai įvertinti vibracijos poveikį.

⚠️ JSPĖJIMAS: Faktiškai naudojant elektrinį įrankį, keliamos vibracijos dydis gali skirtis nuo paskelbtojo dydžio, priklausomai nuo būdų, kuriais yra naudojamas šis įrankis.

⚠️ JSPĖJIMAS: Siekdami apsaugoti operatorių, būtina įvertinkite saugos priemones, remdamiesi vibracijos poveikio įvertinimu esant faktinėms naudojimo sąlygoms (atsižvelgdami į visas darbo ciklo dalis, pavyzdžiui, ne tik kiek laiko įrankis veikia, bet ir kiek kartų jis yra išjungiamas bei kai jis veikia be apkrovų).

EB atitikties deklaracija

Tik Europos šalis

EB atitikties deklaracija yra pridama kaip šio instrukcijų vadovo A priedas.

SAUGOS ĮSPĖJIMAI

Bendrieji įspėjimai dirbant elektriniais įrankiais

⚠️ JSPĖJIMAS: Perskaitykite visus saugos įspėjimus, instrukcijas, iliustracijas ir techninius duomenis, pateiktus kartu su šiuo elektriniu įrankiu. Nesilaikant visų toliau išvardytų instrukcijų galima patirti elektros smūgį, gali kilti gaisras ir (arba) galima sunkiai susižaloti.

Išsaugokite visus įspėjimus ir instrukcijas, kad galėtumėte jas peržiūrėti ateityje.

Terminas „elektrinis įrankis“ pateiktuose įspėjimuose reiškia į maitinimo tinklą jungiamą (laidinį) elektrinį įrankį arba akumulatoriaus maitinamą (belaidį) elektrinį įrankį.

Įžambiai pjaunančių pjūklų saugos instrukcijos

1. Įžambiai pjaunantys pjūklai yra skirti medienos ar į medieną panašioms gaminiams pjauti, jų negalima naudoti su šlifuojamaisiais nupjovimo diskais geležinėms medžiagoms (sijoms, strypams, vinims ir pan.) pjauti. Dėl šlifuojant susidarančių dulkių judamosios dalys (pvz., apatinė apsauga) stringa. Per šlifuojamąjį pjovimą kylančios kibirkštys nudegins apatinę apsaugą, prapjovimo įdėklą ir kitas plastikines dalis.
2. Kai įmanoma, ruošinį įtvirtinkite spaustuvais. Jei ruošinį remiate ranka, ją laikykite mažiausiai 100 mm atstumu nuo bet kurios pjūklo disko pusės. Nenaudokite šio pjūklo pernelyg mažoms dalims, kurių nebūtų galima saugiai prispausti arba laikyti ranka, pjauti. Ranką padėjus pernelyg arti pjūklo disko, didėja rizika susižaloti jį palietus.
3. Ruošins turi būti stabilus ir prispaustas arba padėtas priešais aptvarą ir stalą. Jokiu būdu nestumkite ruošinio disko link ir nepjaukite rankomis. Neprivirtinti ar judantys ruošiniai gali būti staiga išmesti ir jus sužaloti.

4. Niekada nedėkite rankos už numatytos pjovimo linijos pjūklo disko priekyje arba už jo. Prilaukyti ruošinį sukryžiuvus rankas (t. y. laikant ruošinio pjūklo disko dešinėje pusėje kairiąją ranką arba atvirščiai) yra labai pavojinga.

► Pav.1

5. Kai diskas sukasi, ranka nesiekite už aptvaro arčiau nei 100 mm atstumu nuo bet kurios pjūklo disko pusės, jei prireiktų pašalinti medienos gabalėlius ar dėl kitos priežasties. Besisukantis pjūklo diskas gali būti arčiau jūsų rankos, nei manote, todėl galite sunkiai susižaloti.
6. Prieš pjaudami patikrinkite ruošinį. Jei ruošinys yra lenktas arba iškreiptas, suspauskite jį išlenktos dalies išorėje aptvaro link. Visada įsitikinkite, kad tarp ruošinio, aptvaro ir stalo palei pjovimo liniją nėra tarpo. Lenkti arba iškreipti ruošiniai gali susisukti arba pasislinkti, todėl pjaunant besisukantis pjūklo diskas gali užstrigti. Ruošinyje neturi būti vinių ar kitų pašalinių objektų.
7. Nenaudokite pjūklo, kol ant stalo yra pašalinių įrankių, medienos gabalėlių ir pan. Nedidelės nuopjovos, palaidi medienos gabalėliai arba kiti objektai, palietę besisukančią diską, gali būti išmesti dideliu greičiu.
8. Vienu metu pjaukite tik vieną ruošinį. Vieno ant kito sukrautų ruošinių nepavyks tinkamai prispausti arba sumti, todėl jie gali įstrigti diske arba pasislinkti pjaunant.
9. Prieš naudodami įsitikinkite, kad įžambiai pjaunantys pjūklas sumontuotas arba padėtas ant lygaus ir tvirtu darbinio paviršiaus. Lygus ir tvirtas darbinis paviršius užtikrina įžambiai pjaunančio pjūklo stabilumą.
10. Planuokite savo darbą. Kaskart keisdami įstrižojį ir įžambiojo kampų nuostatas, įsitikinkite, kad reguliuojamas aptvaras tinkamai prilaukys ruošinį, nesilies su disku ar apsaugos sistema. Nejudindami įrankio ir nepadėję ruošinio ant stalo, stumkite pjūklo diską per imituotą pjūvio vietą, kad įsitikintumėte, jog nekils pavojaus atsitraukti ar nupjauti ruošinį.
11. Pasirūpinkite tinkama atrama, skirta ruošiniui, platesniam ar ilgesniam už stalo paviršių (tai gali būti stalo ilginiai, ožys malkoms pjauti ir kt.). Už įžambiai pjaunančio pjūklo stalą ilgesni ar platesni ruošiniai gali nuvirsti, jei jų neprilaikysite tinkamai. Jei nupjauama dalis ar ruošinys pakryptų, ji (-is) gali pakelti apatinę apsaugą ar būti numesta (-as) besisukančio disko.
12. Nenaudokite kito asmens stalui paiginti arba vietoje papildomos atramos. Dėl nestabilios ruošinio atramos pjaunant diskas gali įstrigti, o ruošinys – pakrypti, todėl jūs arba pagalbininkas galite būti traukiami besisukančio disko link.
13. Nupjauama dalis negali būti įstrigusi arba kokia nors priemone spaudžiama besisukančio pjūklo disko link. Jei darbą kas nors riboja (pvz., naudojami ilgio fiksatoriai), nupjauama dalis gali būti plėšiama priešais diską ir stipriai išmesta.
14. Visada naudokite spaustuvą arba tvirtinimo elementą, skirtą apvaliai medžiagai (pvz., strypams arba vamzdžiams) prilaukinti. Pjaunami strypai linkę riedėti, todėl diskas gali įpjauti ir įtraukti ruošinį su jūsų ranka į diską.

15. **Prieš paliesdami roošinį, leiskite diskui pradėti sukintis visu greičiu.** Tai sumažins tikimybę, kad roošinys bus išmestas.
16. Įstrigus roošiniui ar diskui, nusukite įžambiai pjaunantį pjūklą. Palaukite, kol visos judamosios dalys sustos, ištraukite kištuką iš maitinimo šaltinio ir (arba) išimkite akumuliatorių. Tada pašalinkite įstrigusia medžiagą. Pjaunant, kai roošinys įstrigęs, galima sugadinti įžambiai pjaunantį pjūklą arba jo nesuvaldyti.
17. Baigę pjauti atleiskite jungiklį, laikykite pjūklo priekinę dalį pakreiptą žemyn ir laukite, kol diskas nustos sukintis, tik tada imkite nupjautą dalį. Bandyti ranka pasiekti iš inercijos besisukančią diską yra pavojinga.
18. Jei norėsite tik pjauti, tvirtai laikykite pjūklą už rankenėlės, tai darykite ir prieš atleisdami jungiklį, jei pjūklo priekinė dalis nėra visiškai nuleista žemyn. Stabdant pjūklą, jo priekinė dalis gali būti staiga patraukta žemyn, tai kelia pavojų susižaloti.
19. Naudokite tik tokio skersmens pjovimo diską, koks yra nurodytas ant įrankio arba naudojimo instrukcijoje. Naudojant netinkamo dydžio diską, diskas gali būti netinkamai apsaugotas arba netinkamai veiks apsauginis disko gaubtas, todėl galima sunkiai susižeisti.
20. Naudokite tik tuos pjūklo diskus, ant kurių nurodytas sukimosi greitis prilygsta arba viršija ant įrankio nurodytą sukimosi greitį.
21. Pjūklą naudokite tik medienai, aliuminiui ir panašioms medžiagoms pjauti.
22. (Tik Europos šalims)
Naudokite pjūklo diskus, atitinkančius EN847-1.

Papildomos instrukcijos

1. Pasirūpinkite, kad į dirbtuves nepatektų vaikų, užkabinkite spygnas.
2. Niekada nestovėkite ant įrankio. Pjovimo įrankiui apvirtus arba jį netyčia palietus, galima sunkiai susižaloti.
3. Niekada nepalikite veikiančio įrankio be priežiūros. Išjunkite maitinimą. Nepalikite įrankio, kol jis visiškai nesustojo.
4. Nenaudokite pjūklo, jei apsauginiai įtaisai nėra įtvirtinti. Kaskart prieš naudodami patikrinkite, ar apsauginis disko įtaisas užsidaro tinkamai. Nenaudokite pjūklo, jei kas nors trukdo judėti apsauginiam disko įtaisui ir jis neužsidaro iš karto. Jokių būdu neužfiksuokite ir nepirriškite apsauginio disko, jei įtaisas atdaras.
5. Žiūrėkite, kad rankos būtų kuo toliau nuo pjūklo disko. Venkite sąlyčio su bet kuriuo judančiu disku. Jis gali sunkiai sužeisti.
6. Prieš nešdami įrankį, būtinai užtvirtinkite visas judamąsias dalis.
7. Stabdymo kaištis, užfiksuojantis pjaustytuvo galvutę, skirtas tik perkelti ir saugoti prietaisą, juo negalima pjauti.
8. Prieš naudodami patikrinkite, ar diskas nėra įtrūkęs arba pažeistas. Nedelsdami pakeiskite įtrūkusį arba apgadintą diską. Ant disko esantys sukietėję sakai ar derva lėtina pjovimą ir didina atatranksio pavojų. Jei valote diską, pirmiausia išimkite jį iš įrankio, tada nuvalykite sakų ir deros šalinimo priemone, karštu vandeniu ar žibalu. Niekada nenaudokite benzino diskui valyti.
9. Naudokite tik šiam įrankiui skirtas junges.
10. Saugokitės, kad nepažeistumėte veleno, jungių (ypač montavimo paviršiaus) ar varžto. Pažeidus šias dalis diskas gali lūžti.

11. Įsitikinkite, ar sukiojamas pagrindas gerai pritvirtintas ir nejudės dirbant. Pagrindė esančias skylės naudokite pjūklui ant stabilios darbinės platformos arba suoliuko pritvirtinti. NIEKADA nenaudokite įrankio, jei operatoriaus padėtis nepatogi.
12. Prieš įjungdami jungiklį įsitikinkite, ar ašies fiksiatorius neužfiksuotas.
13. Patikrinkite, ar diskas neliečia sukiojamo pagrindo apačios.
14. Tvirtai laikykite rankenėlę. Saugokitės, nes pradėjus ar baigiant dirbti pjūklas truputį pajuda aukštyn arba žemyn.
15. Prieš įjungdami jungiklį patikrinkite, ar diskas neliečia roošinio.
16. Prieš naudodami įrankį su roošiniu, leiskite jam kurį laiką veikti be apbrovos. Atkreipkite dėmesį į vibraciją arba klībėjimą – gali būti, kad įrankis netinkamai sumontuotas, arba diskas blogai subalansuotas.
17. Pastebėję ką nors neįprasto, tučtuojau nutraukite kiti darbą.
18. Nemėginkite užfiksuoti gaiduko į padėtį „ON“ (įjungta).
19. Visada naudokite šioje instrukcijoje rekomenduojamus priedus. Naudojant netinkamus priedus, pvz., šlifavimo diskus, galima susižeisti.
20. Kai kuriose medžiagose gali būti nuodingų chemikalų. Saugokitės, kad neįkvėptumėte dulkių ir nesiliestumėte oda. Laikykites medžiagų tiekėjo saugos nurodymų.

Papildomos saugos taisyklės dirbant lazeriu

1. LAZERIO SPINDULIUOTĖ, NEŽIŪRĖKITE Į SPINDULĮ ILGAI AR TIESIOGIAI, NAUDODAMI OPTINIUS PRIETAISUS, 2M KLASĖS LAZERINIS GAMINYS.

SAUGOKITE ŠIAS INSTRUKCIJAS.

⚠️ ĮSPĖJIMAS: NELEISKITE, kad patogumas ir gaminio pažinimas (įgyjamas pakartotinai naudojant) susilpnintų griežtą saugos taisyklių, taikytinų šiam gaminiiui, laikymąsi. Dėl NETINKAMO NAUDOJIMO arba saugos taisyklių, kurios pateiktos šioje instrukcijoje, nesilaikymo galima rimtai susižeisti.

Svarbios saugos instrukcijos, taikomos akumuliatoriaus kasetei

1. Prieš naudodami akumuliatoriaus kasetę, perskaitykite visas instrukcijas ir perspėjimus ant (1) akumuliatorių įkroviklio, (2) akumuliatorių ir (3) akumuliatorių naudojančio gaminio.
2. Neardykite akumuliatoriaus kasetės.
3. Jei įrankio darbo laikas žymiai sutrumpėjo, nedelsdami nutraukite darbą su įrankiu. Tai gali kelti perkaitimo, nudegimų ar net sprogdimo pavojų.
4. Jei elektrolitas pateko į akis, plaukite jas tyru vandeniu ir nedelsdami kreipkitės į gydytoją. Gali kilti regėjimo praradimo pavojus.

5. **Neužtrumpinkite akumulatoriaus kasetės:**
- (1) Nelieskite kontaktų degiomis medžiagomis.
 - (2) Venkite laikyti akumulatoriaus kasetę kartu su kitais metaliniais daiktais, pavyzdžiui, vinimis, monetomis ir pan.
 - (3) Saugokite akumulatoriaus kasetę nuo vandens ir lietaus.

Trumpasis jungimas akumulatoriuje gali sukelti stiprią srovę, perkaitimą, galimus nudegimus ar net akumulatoriaus gedimą.

6. Nelaiikykite įrankio ir akumulatoriaus kasetės vietose, kur temperatūra gali pasiekti ar viršyti 50 °C.
7. Nedeginkite akumulatoriaus kasetės, net jei yra stipriai pažeista ar visiškai susidėvėjusi. Ugnyje akumulatoriaus kasetė gali sprogti.
8. Saugokite akumuliatorių nuo kritimo ir smūgių.
9. Nenaudokite pažeisto akumulatoriaus.
10. Įdėtoms ličio jonų akumuliatoriams taikomi Pavojingų prekių teisės akto reikalavimai. Komeracinis transportas, pvz., trečiųjų šalių, prekių vežimo atstovų, turi laikytis specialaus reikalavimo ant pakuotės ir ženklavimo. Norėdami paruošti siųstiną prekę, pasitarkite su pavojingų medžiagų specialistu. Be to, laikykitės galimai išsamesnių nacionalinių reglamentų. Užklijuokite juosta arba padenkite atvirus kontaktus ir supakuokite akumuliatorių taip, kad ji pakuotėje nejudėtų.

11. Vadovaukitės vietos įstatymais dėl akumuliatorių išmetimo.

SAUGOKITE ŠIAS INSTRUKCIJAS.

⚠️PERSPĖJIMAS: Naudokite tik originalų „Makita“ akumuliatorių. Neoriginalaus „Makita“ arba pakeisto akumulatoriaus naudojimas gali nulemti gaisrą, asmens sužalojimą ir pažeidimą. Tai taip pat panaikina „Makita“ suteikiamą „Makita“ įrankio ir įkroviklio garantiją.

Patarimai, ką daryti, kad akumuliatorius veiktų kuo ilgiau

1. Pakraukite akumulatoriaus kasetę prieš jai visiškai išsikraunant. Visuomet nustokite naudoti įrankį ir pakraukite akumulatoriaus kasetę, kai pastebite, kad įrankio galia sumažėjo.
2. Niekada nekraukite iki galo įkrautus akumulatoriaus kasetės. Perkraunant trumpėja akumulatoriaus eksploatacijos laikas.
3. Akumulatoriaus kasetę kraukite esant kambario temperatūrai 10 - 40 °C. Prieš pradėdami krauti, leiskite įkautusiai akumulatoriaus kasetei atvėsti.
4. Įkraukite akumulatoriaus kasetę, jei jos nenaudojate ilgą laiką (ilgiau nei šešis mėnesius).

DALIŲ APRAŠYMAS

► Pav.2

1	Atlaisvinimo mygtukas	2	Gaidukas	3	Rankena	4	Disko aptvaras
5	Diskas	6	Pjovimo disko apsauga	7	Papildoma užtvara	8	Maža papildoma užtvara
9	Pagrindas	10	Sukiojamas pagrindas	11	Kreipiamasis aptvaras	12	Vertikalus spaustuvas
13	Dulkių surinkimo maišelis	14	Dulkių ištraukimo antgalis	15	Centrinis gaubtas	-	-

► Pav.3

16	Lemputė	17	Akumulatoriaus kasetė	18	Šešiakampis veržliaraktis	19	Atlaisvinimo svirtelė
20	Svirtis (istrižiems kam-pams reguliuoti)	21	Prapjovimo plokštė	22	Apatinės ribos reguliavimo varžtas	23	Lempos jungiklis
24	Lazerio jungiklis	-	-	-	-	-	-

SUMONTAVIMAS

Staklių sumontavimas

⚠️ISPĖJIMAS: Užtikrinkite, kad įrankis nejudėtų ant atraminio paviršiaus. Pjovimo metu kampiniam pjūklui pajudėjus ant atraminio paviršiaus, galima prarasti kontrolę ir sunkiai susižeisti.

1. Įsukdami du varžtus, pritvirtinkite pagrindą prie lygaus ir stabilaus paviršiaus. Tai neleis įrankiui pasvirti ir sukelti sužeidimo pavojų.

► **Pav.4:** 1. Varžtas

VEIKIMO APRAŠYMAS

⚠️ JSPĖJIMAS: Prieš pradėdami reguliuoti arba tikrinti įrankio veikimą, visuomet būtinai išjunkite įrankį ir išimkite akumulatoriaus kasetę. Neišjungus ir neišėmus akumulatoriaus kasetės, netyčia įjungus įrankį, galima sunkiai susižeisti.

Akumulatoriaus kasetės uždėjimas ir nuėmimas

⚠️ PERSPĖJIMAS: Prieš įdėdami arba išimdami akumulatoriaus kasetę, visada išjunkite įrankį.

⚠️ PERSPĖJIMAS: Įdėdami arba išimdami akumulatoriaus kasetę, tvirtai laikykite įrankį ir akumulatoriaus kasetę. Jeigu įrankis ir akumulatoriaus kasetę laikysite netvirtai, jie gali išsllysti iš jūsų rankų, todėl įrankis ir akumulatoriaus kasetė gali būti sugadinti, o naudotojas sužalotas.

- **Pav.5:** 1. Raudonas indikatorius 2. Mygtukas
3. Akumulatoriaus kasetė

Jei norite išimti akumulatoriaus kasetę, ištraukite ją iš įrankio, stumdami mygtuką, esantį kasetės priekyje.

Jei norite įdėti akumulatoriaus kasetę, sulygiuokite liežuvelį ant akumulatoriaus kasetės su grioveliu korpuse ir įstumkite į jai skirtą vietą. Įdėkite iki galo, kol spragtelėdama užsifiksuos. Jeigu matote raudoną indikatorius viršutinėje mygtuko pusėje, ji nėra visiškai užfiksuota.

⚠️ PERSPĖJIMAS: Akumulatoriaus kasetę visada įkiškite iki galo, kol nebematysite raudono indikatoriaus. Priešingu atveju ji gali atsitiktinai iškristi iš įrankio, sužeisti jus arba aplinkinius.

⚠️ PERSPĖJIMAS: Nekiškite akumulatoriaus kasetės jėga. Jeigu kasetė sunkiai lenda, ją kiškite netinkamai.

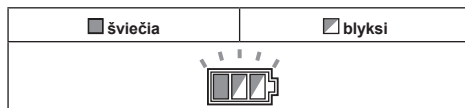
Įrankio / akumulatoriaus apsaugos sistema

Įrankyje įrengta įrankio / akumulatoriaus apsaugos sistema. Ši sistema automatiškai atjungia variklio maitinimą, kad įrankis ir akumulatorius ilgiau veiktų. Įrankis automatiškai išsijungs darbo metu esant vienai iš toliau nurodytų įrankio arba akumulatoriaus darbo sąlygų:

Apsauga nuo perkrovos

Kai įrankis naudojamas taip, kad neįprastai padidėja elektros srovė, įrankis automatiškai išsijungia be jokių indikatorius įspėjimų. Tokiu atveju atleiskite įrankio gaiduką ir nutraukite darbą, dėl kurio kilo įrankio perkrova. Po to vėl įjunkite įrankį.

Apsauga nuo perkaitimo



Jeigu įrankis perkaista, automatiškai išsijungia ir maždaug 60 sekundžių žybuoja akumulatoriaus indikatorius lemputė. Tokiu atveju palaukite, kol įrankis atvės, paskui vėl jį įjunkite.

Apsauga nuo visiško išsikrovimo

Žymiai sumažėjus akumulatoriaus galiai, įrankis automatiškai išsijungia. Jeigu gaminyje neveikia net ir spaudžiant jungiklius, išimkite akumulatorių iš įrankio ir įkraukite.

Apsaugos sistemos įjungiamo blokavimo atšaukimas

Kelias kartus suveikus apsaugos sistemai įrankis užblokuojamas ir blyksi akumulatoriaus indikatorius.



Tokiu atveju išjunkite jungiklį, pašalinkite apsaugos sistemos suveikimo priežastį ir vėl įjunkite jungiklį. Jeigu vėl įjungus jungiklį įrankis vis tiek neveikia, išimkite ir įkraukite akumulatoriaus kasetę.

Likusios akumulatoriaus galios rodymas

- **Pav.6:** 1. Akumulatoriaus indikatorius

Spaudžiant jungiklio gaiduką, akumulatoriaus indikatoriuje rodoma likusi akumulatoriaus galia.

Akumulatoriaus indikatoriaus būseną			Likusi akumulatorių galia
<input type="checkbox"/> Šviečia	<input type="checkbox"/> Nešviečia	<input checked="" type="checkbox"/> Blyksi	
			50–100 %
			20–50 %
			0–20 %
			Įkraukite akumulatorių

Likusios akumulatoriaus galios rodymas

Tik akumulatoriaus kasetėms su indikatoriumi

► **Pav.7:** 1. Indikatorijų lemputės 2. Tikrinimo mygtukas

Paspauskite akumulatoriaus kasetės tikrinimo mygtuką, kad būtų rodoma likusi akumulatoriaus energija. Maždaug trims sekundėms užsidegs indikatorijų lemputės.

Indikatorijų lemputės			Likusi galia
Šviečia	Nešviečia	Blyksi	
			75 - 100 %
			50 - 75 %
			25 - 50 %
			0 - 25 %
			Įkraukite akumulatorių.
			Galimai įvyko akumulatoriaus veikimo triktis. ↑ ↓

PASTABA: Rodmuo gali šiek tiek skirtis nuo faktinės energijos lygio – tai priklauso nuo naudojimo sąlygų ir aplinkos temperatūros.

Automatinio greičio keitimo funkcija

► **Pav.8:** 1. Režimo indikatorius

Režimo indikatoriaus būseną	Veikimo režimas
	Didelio greičio režimas
	Didelio sukimo momento režimas

Šis įrankis turi didelio greičio režimą ir didelio sukimo momento režimą. Jis automatiškai perjungia darbo režimą atsižvelgiant į darbo apkrovą. Kai dirbant užsidega režimo indikatoriaus lemputė, įrankis veikia didelio sukimo momento režimu.

Fiksavimo smaigas

▲PERSPĖJIMAS: Atleisdami fiksavimo smaigą, visada laikykite už rankenos. Antraip rankena pakils į viršų ir gali sužaloti.

Nestipriai spausdami rankenėlę žemyn ir traukdami fiksavimo smaigą, ištraukite fiksavimo smaigą.

► **Pav.9:** 1. Fiksavimo smaigas

Pjovimo disko apsauga

▲JSPĖJIMAS: Niekada neužblokuokite ir nenuimkite disko apsaugos arba ją tvirtinančios spyruoklės. Užblokovus apsaugą, darbo metu galima sunkiai susižeisti į neuždengtą diską.

▲JSPĖJIMAS: Niekada nenaudokite šio įrankio, jei disko apsauga arba spyruoklė yra pažeista, sugadinta arba nuimta. Naudojant įrankį su pažeista, sugadinta arba nuimta apsauga, galima sunkiai susižeisti.

▲PERSPĖJIMAS: Kad galėtumėte saugiai dirbti, visada pasirūpinkite, kad disko apsauga būtų tinkamos darbui būklės. Jei pastebėjote kokių nors disko apsaugos netinkamo veikimo požymių, nedelsdami nutraukite darbą. Patikrinkite spyruoklę, ar ji gali sugrąžinti apsaugą į pradinę padėtį.

► **Pav.10:** 1. Pjovimo disko apsauga

Nuleidus rankenėlę, disko apsauga pakyla automatiškai. Apsaugoje įrengta spyruoklė, kuri, baigus pjauti ir pakėlus rankenėlę, sugrąžina apsaugą į pradinę padėtį.

Valymas

► **Pav.11:** 1. Pjovimo disko apsauga

Jeigu permatoma disko apsauga susitępa arba prie jos prilimpa pjuvenos ir jeigu disko ir (arba) ruošinio negalima lengvai įžiūrėti, išimkite akumulatoriaus kasetę ir kruopščiai nuvalykite apsaugą drėgnu skudurėliu. Plastmasinės apsaugos negalima valyti tirpikliais arba naftos pagrindu pagamintais valikliais, nes šios medžiagos gali pažeisti apsaugą.

Norėdami valyti, vadovaudamiesi skyrimu „Pjovimo disko tvirtinimas arba išėmimas“, pakelkite disko apsaugą.

Baigę valyti, diską ir centrinį gaubtą gražinkite į prieš tai buvusią vietą, tada priveržkite varžtą šešiakampe galvute.

1. Patikrinkite, ar įrankis išjungtas ir išimtos akumulatoriaus kasetės.

2. Laikydami už centrinio gaubto, tiekiamu šešiakampi veržliarakčiu sukite varžtą šešiakampe galvute pagal laikrodžio rodyklę.

3. Pakelkite disko apsaugą ir atidinkite centrinį gaubtą.

4. Baigę valyti, centrinį gaubtą gražinkite į jo vietą ir atvirksčine tvarka atlikdami prieš tai nurodytus veiksmus priveržkite varžtą šešiakampe galvute.

▲JSPĖJIMAS: Nenuimkite pjovimo disko apsaugą laikinai spyruoklės. Jeigu laikui bėgant arba dėl ultravioletinių spindulių poveikio apsauga būtų sugadinta, susisiekię su „Makita“ techninės priežiūros tarnyba dėl pakeitimo. **NEIŠJUNKITE IR NENUIMKITE APSAUGOS.**

Prapjovimo plokštės nustatymas

Šio įrankio sukiojamame pagrinde įrengtos prapjovimo plokštės, kurios sumažina iki minimumo pjūvio išėjimo pusės plėšimą. Prapjovimo plokštės gamykloje nustatytos taip, kad pjovimo diskas jų neliestų. Prieš naudojimą pareguliuokite prapjovimo plokštės:

1. Būtinai išimkite akumuliatoriaus kasetę. Tuomet atsukite visus varžtus (po 2 iš kairės ir dešinės pusės), laikančius prapjovimo plokštes.

► **Pav.12:** 1. Prapjovimo plokštė 2. Varžtas

2. Priveržkite prapjovimo plokštės tiek, kad jas galima būtų lengvai pasukti rankomis.

3. Iki galo nuleiskite rankenėlę ir užfiksuokite ją apatinėje padėtyje, įspausdami fiksatoriaus smaigą.

4. Nustatykite prapjovimo plokštės taip, kad jos tik liestų pjovimo disko dantų šonus.

► **Pav.13**

► **Pav.14:** 1. Pjovimo diskas 2. Disko dantys
3. Prapjovimo plokštė 4. Kairysis įstrižas pjūvis 5. Tiesusis pjūvis

5. Užsukite varžtus (bet tvirtai neužveržkite jų).

6. Nustatę prapjovimo plokštes, ištraukite fiksavimo smaigą ir pakelkite rankenėlę. Po to tvirtai užveržkite visus varžtus.

PASTABA: Nustatę įstrižą kampa, būtinai patikrinkite, ar tinkamai nustatytos prapjovimo plokštės. Tinkamai nustačius prapjovimo plokštes, ruošinys bus tinkamai atremtas ir sumažės galimybė išplėsti ruošinį.

Maksimalaus pjovimo pajėgumo palaikymas

Šis įrankis gamykloje nustatytas maksimaliam pjovimo pajėgumui naudojant 165 mm pjovimo diską. Montuodami naują diską, visada patikrinkite apatinę ribinę disko padėtį ir, jeigu reikia, pareguliuokite ją tokiu būdu:

1. Ištraukite akumuliatoriaus kasetę. Iki galo nuleiskite rankeną.

2. Šešiakampių veržliarakčių sukite apatinės ribos reguliavimo varžtą, kol pjūklas atsidurs šiek tiek po kreipiamojo aptvaro skersiniu ir sukamojo pagrindo viršutiniu paviršiumi.

► **Pav.15:** 1. Reguliavimo varžtas

► **Pav.16:** 1. Kreipiamasis aptvaras

3. Sukite diską ranka, laikydami iki galo nuspaustą rankenėlę, kad patikrintumėte, ar diskas neličia jokios apatiniam pagrinde esančios dalies. Jeigu reikia, dar truputį pareguliuokite.

⚠️PERSPĖJIMAS: Sumontavę naują pjovimo diską, neįdėdami akumuliatoriaus kasetės, visada patikrinkite, ar visiškai nuleidus rankenėlę, pjovimo diskas neličia jokios apatiniam pagrinde esančios dalies. Jeigu diskas liečia pagrindą, gali įvykti atitrūkimas, galinti sukelti sunkų sužalojimą.

► **Pav.17**

Papildoma užtvara

Priklausomai nuo šalies

Šiame įrankyje sumontuota papildoma užtvara ir maža papildoma užtvara.

Papildoma užtvara

⚠️PERSPĖJIMAS: Atlikdami įstrižus pjūvius, visada nuimkite papildomą užtvaramą. Nesilaikant šių nurodymų, kyla pavojus sunkiai susižeisti.

► **Pav.18:** 1. Papildoma užtvara

Pjudami (išskyrus įstrižus pjūvius) naudokite papildomą užtvaramą ruošiniui paremti.

Maža papildoma užtvara

⚠️PERSPĖJIMAS: Atlikdami dešiniuosius įstrižus pjūvius užlenkite mažas papildomas užtvaras. Kitu atveju jos gali liestis prie disko arba kitos įrankio dalies, o tai gali baigtis sunkiu operatoriaus sužeidimu.

► **Pav.19:** 1. Maža papildoma užtvara 2. Skalė

Atlikdami vertikalius arba kairiuosius įstrižus pjūvius jas pakelkite, kad parentumėte ruošinį. Kreipiamojo aptvaro skalė sugraduota 10 mm intervalais.

Įžambaus kampo nustatymas

► **Pav.20:** 1. Fiksavimo varžtas 2. Sukiojamas pagrindas 3. Įstrižo kampo skalė 4. Rodyklė

1. Prieš laikrodžio rodyklę atleiskite fiksavimo varžtą.

2. Sureguliuokite sukiojamojo pagrindo kampa. Vadovaukitės rodykle ir įstrižo kampo skale.

3. Sukdami pagal laikrodžio rodyklę tvirtai užveržkite fiksavimo varžtą.

⚠️PERSPĖJIMAS: Pakeitę įžambųjį kampa, visuomet užtvirtinkite sukiojamąjį pagrindą, tvirtai užverždami fiksavimo varžtą.

PASTABA: Sukant sukiojamą pagrindą, rankenėlė turi būti iki galo pakelta.

Įstrižo kampo nustatymas

Norėdami nustatyti įstrižą kampa, įrankio gale esančią svirtelę pasukite žemyn.

► **Pav.21:** 1. Svirtis

Norėdami pakreipti diską į kairę, laikykite už rankenos ir kreipkite pjūklo galvutę. Kaip orientyrą naudokite įstrižo kampo skalę ir rodyklę. Tai padarę, keldami priveržkite svirtelę, kad įtvirtintumėte pjūklo galvutę.

► **Pav.22:** 1. Rodyklė 2. Įstrižų kampų skalė

Norėdami pakreipti diską dešinėn, laikykite už rankenos ir šiek tiek pakreipkite pjūklo galvutę į kairę, tada paspauskite atleidimo mygtuką. Atleisdami nuspaustą mygtuką, pakreipkite pjūklo diską į dešinę. Keldami priveržkite svirtelę, kad įtvirtintumėte pjūklo galvutę.

► **Pav.23:** 1. Atleidimo mygtukas

▲ PERSPĖJIMAS: Keisdami įstrižą kampa būtinai keldami priveržkite svirtelę, kad būtų įtvirtinta pjūklo galvutė.

PASTABA: Pakreipiant pjovimo diską, rankenėlė turi būti iki galo pakelta.

PASTABA: Keisdami įstrižus kampus, atitinkamai nustatykite prapjovimo plokštes, kaip paaiškinta skyriaus „Prapjovimo plokščių nustatymas“.

46° įstrižojo kampo nustatymas

1. Atlaisvinkite svirtelę ir iki galo kairėn arba dešinėn pakreipkite diską.
▶ **Pav.24:** 1. Svirtis
2. Norėdami pakreipti diską kairėn, laikykite už rankenos ir šiek tiek pakreipkite pjūklo galvutę į dešinę, tada pasukite atleidimo svirtelę rodyklės kryptimi. Jeigu judinant atleidimo svirtelę paverčiama pjūklo galvutė, įstrižą kampa galima reguliuoti nuo 45° iki 46°.
Norėdami pakreipti diską dešinėn, laikykite už rankenos ir šiek tiek pakreipkite pjūklo galvutę į kairę, tada pasukite atleidimo svirtelę rodyklės kryptimi. Jeigu judinant atleidimo svirtelę paverčiama pjūklo galvutė, įstrižą kampa galima reguliuoti nuo 45° iki 46°.
▶ **Pav.25:** 1. Svirtis 2. Atlaisvinimo svirtelė
3. Keldami priveržkite svirtelę, kad įtvirtintumėte pjūklo galvutę.

Svritelės padėties nustatymas

Jei svirtelė bėgant laikui neužtikrina visiško priveržimo, pakeiskite jos padėtį. Svritelės padėtį galima keisti po 30°.

Atlaisvinkite ir išimkite svirtelę tvirtinantą varžtą. Nuimkite svirtelę ir vėl ją uždėkite taip, kad ji būtų šiek tiek aukščiau virš horizontalios plokštumos. Tuomet tvirtai prisukite svirtelę varžtu.

▶ **Pav.26:** 1. Svirtis 2. Varžtas

Jungiklio veikimas

▲ JSPĖJIMAS: Prieš sumontuodami akumuliatoriaus kasetę įrankyje, visuomet patikrinkite, ar gaiduko mygtukas gerai veikia ir atleistas grįžta į padėtį „OFF“. Naudojant įrankį, kurio gaidukas netinkamai veikia, galima prarasti kontrolę ir sunkiai susižaloti.

▲ JSPĖJIMAS: NIEKADA nenaudokite įrankio, jei jo svirtinis jungiklis veikia netinkamai. Bet koks įrankis, kurio jungiklis neveikia, yra NEPAPRASTAI PAVOJINGAS; prieš toliau naudodami tokį įrankį, būtinai jį pataisykite, kitaip galite sunkiai susižeisti.

▲ JSPĖJIMAS: Jūsų pačių saugumui šiame įrankyje įrengtas atlaisvinimo mygtukas, kuris neleidžia netyčia įjungti įrankio. NIEKADA nenaudokite veikiančio įrankio, jeigu nuspaudėte tik gaiduką, nenuspaudę atlaisvinimo mygtuko. Jungiklis, kurį reikia taisyti, gali netyčia įjungti įrankį ir operatorius gali būti sunkiai sužeistas. PRIEŠ pradėdami vėl naudoti įrankį, atiduokite jį suremontuoti į „Makita“ techninės priežiūros centrą.

▲ JSPĖJIMAS: NIEKADA neužklijuokite atlaisvinimo mygtuko lipnia juostele ir nepanaikinkite jo funkcijos kitomis priemonėmis. Jungiklis su užblokuotu atlaisvinimo mygtuku gali netyčia įjungti įrankį ir operatorius gali būti sunkiai sužeistas.

PASTABA: Negalima stipriai spausti jungiklio gaiduko, nenuspaudus atlaisvinimo mygtuko. Taip galima sugadinti jungiklį.

Atlaisvinimo mygtukas neleidžia atsitiktinai paspausti gaiduko. Jei norite įjungti įrankį, paspauskite fiksavimo svirtelę, tada patraukite gaiduką. Atleiskite gaiduką, jeigu norite sustabdyti įrankį.

▶ **Pav.27:** 1. Užfiksavimo mygtukas 2. Pakabinamos spygnos anga 3. Gaidukas

Lemputės uždegimas

▲ PERSPĖJIMAS: Ši lempa nėra nepralaidžianti lietaus. Neplaukite lempos vandenyje ir nenaudokite jos lietingu oru arba drėgnoje vietoje. Nesilaikydami nurodymų, galite sukelti elektros smūgį ir dūmus.

▲ PERSPĖJIMAS: Nelieskite lempos lęšių, nes uždegta arba ką tik išjungta lempa yra labai įkaitusi. Galite apsideginti.

▲ PERSPĖJIMAS: Nespauskite ir netrankykite lemputės, nes galite ją sugadinti arba sutrumpinti jos naudojimo laiką.

▲ PERSPĖJIMAS: Nelaikykite lempos nukreipę į akis. Galite pažeisti akis.

▲ PERSPĖJIMAS: Kai lempa dega, neuždenkite jos medžiaga, kartonine dėžute, kartonu arba panašiais daiktais, nes tai gali sukelti gaisrą arba uždegimą.

▲ PERSPĖJIMAS: Nežiūrėkite tiesiai į šviesą arba šviesos šaltinį.

Norėdami įjungti lempą, spauskite viršutinę jungiklio dalį (1). Norėdami išjungti lempą, spauskite apatinę jungiklio dalį (0).

► **Pav.28:** 1. Lemputė 2. Lempos jungiklis

PASTABA: Purvą nuo lempos objektyvo nuvalykite sausu skudurėliu. Būkite atsargūs, kad nesubraižytumėte lempos objektyvo, nes pablogės apšvietimas.

PASTABA: Nepamirškite išjungti jungiklio, nes įjungus jungiklį naudojama akumulatoriaus galia.

Lazerio spindulio veikimas

▲ PERSPĖJIMAS: Niekada nežiūrėkite į lazerio spindulį. Tiesioginis lazerio spindulys gali pažeisti akis.

Norėdami įjungti lazerio spindulį, spauskite jungiklio viršutinę dalį (1). Norėdami išjungti lazerio spindulį, spauskite apatinę jungiklio dalį (0).

► **Pav.29:** 1. Lazerio jungiklis

PASTABA: Nepamirškite išjungti jungiklio, nes įjungus jungiklį naudojama akumulatoriaus galia.

Lazerio liniją galima nustatyti iš pjūtko disko kairės arba dešinės pusės, nurodytu būdu sukant reguliavimo varžtą.

► **Pav.30:** 1. Reguliavimo varžtas

1. Atlaisvinkite reguliavimo varžtą, sukdami jį prieš laikrodžio rodyklę.
2. Atleidę reguliavimo varžtą, slinkite jį į dešinę arba kairę tiek, kiek galima.
3. Tvirtai užveržkite reguliavimo varžtą į tokią padėtį, kad jis daugiau nesislinktų.

PASTABA: Lazerio spindulys gamykloje nustatytas 1 mm atstumu nuo disko šoninio paviršiaus (pjovimo padėtis).

PASTABA: Kai lazerio spindulys neryškus ir prastai matomas dėl tiesioginių saulės spindulių, pasirinkite darbo vietą, neapšviestą tiesioginių saulės spindulių.

Lazerio spindulio sulygiavimas

Sulygiuokite ant ruošinio pažymėtą pjovimo liniją su lazerio spinduliu.

► **Pav.31**

- A) Kai norite išgauti tinkamą dydį ruošinio kairėje pusėje, paslinkite lazerio spindulį disko kairėn.
B) Kai norite išgauti tinkamą dydį ruošinio dešinėje pusėje, paslinkite lazerio spindulį disko dešinėn.

SURINKIMAS

▲ JSPĖJIMAS: Prieš pradėdami dirbti su įrankiu, visuomet būtinai jį išjunkite ir išimkite akumulatoriaus kasetę. Neišjungus įrankio ir neišėmus akumulatoriaus kasetės, netyčia įjungus įrankį galima sunkiai susižeisti.

Šešiabriaunio veržliarakčio laikymas

Šešiakampis veržliaraktis saugomas, kaip parodyta paveikslėlyje. Jeigu reikia panaudoti šešiakampį veržliaraktį, ištraukite jį iš rakto laikiklio.

Panaudoję šešiakampį veržliaraktį, grąžinkite jį į rakto laikiklį.

► **Pav.32:** 1. Veržliarakčio laikiklis 2. Šešiakampis veržliaraktis

Ašmenų įdėjimas ir išėmimas

▲ JSPĖJIMAS: Prieš montuodami arba nuimdami diską, visuomet būtinai išjunkite įrankį ir išimkite akumulatoriaus kasetę. Netyčia paleidus įrankį, galima sunkiai susižeisti.

▲ PERSPĖJIMAS: Norėdami sumontuoti arba nuimti diską, naudokite tik „Makita“ šešiakampį veržliaraktį. Jeigu naudosite kitą įrankį, galite per daug arba ne iki galo priveržti šešiakampės lizdinės galvutės varžtą. Tai gali sukelti sužeidimus.

Norėdami nuimti diską, atlikite šiuos veiksmus:

1. Atleiskite fiksavimo smaigį ir jį stumdami užfiksuokite rankena pakelimą.
► **Pav.33:** 1. Fiksavimo smaigias
2. sukdami jį prieš laikrodžio rodyklę, šešiakampiu veržliarakčiu atlaisvinkite šešiakampį varžtą, laikant centrinį gaubtą; tada pakelkite disko apsaugą ir centrinį gaubtą.
► **Pav.34:** 1. Centrinis gaubtas 2. Šešiakampių lizdinių galvučių varžtas 3. Šešiakampis veržliaraktis 4. Pjovimo disko apsauga
3. Norėdami užfiksuoti veleną, įspauskite veleno fiksatorių, šešiakampiu veržliarakčiu atlaisvinkite šešiakampės lizdinės galvutės varžtą, sukdami jį pagal laikrodžio rodyklę. Po to ištraukite veleno šešiakampės lizdinės galvutės varžtą, nuimkite išorinę jungę ir diską.
► **Pav.35:** 1. Ašies fiksatorius 2. Šešiakampių lizdinių galvučių varžtas 3. Išorinė jungė
4. Jeigu vidinė jungė išimta, būtinai vėl ją uždėkite ant veleno, jos tvirtinimo dalį nukreipę atokiai nuo disko. Jeigu jungę sumontuosite netinkamai, ji trinsis į stakles.
► **Pav.36:** 1. Išorinė jungė 2. Pjovimo diskas 3. Vidinė jungė 4. Šešiakampių lizdinių galvučių varžtas (kairysis) 5. Velenas 6. Disko tvirtinimo dalis

Norėdami pritvirtinti diską, atlikite šiuos veiksmus:

1. kruopščiai pritvirtinkite diską prie vidinės jungės; įsitikinkite, kad ant disko pažymėtos rodyklės kryptis sutampa su ant disko gaubto pažymėtos rodyklės kryptimi.

► **Pav.37:** 1. Pjovimo diskas 2. Rodyklė

2. Uždėkite išorinę jungę ir šešiakampės lizdinės galvutės varžtą, po to, spausdami veleno fiksatorių, sukdami prieš laikrodžio rodyklę, šešiakampių veržliarakčių tvirtai užveržkite veleno šešiakampės lizdinės galvutės varžtą (kairėje).
3. Gražinkite pjovimo disko apsaugą ir centrinę gaubtą į jų pradinę padėtį. Tuomet sukdami pagal laikrodžio rodyklę užveržkite centrinio gaubto šešiakampės lizdinės galvutės varžtą.
4. Stumdami fiksavimo smaigą, atlaisvinkite rankenėlę iš iškeltos padėties. Norėdami įsitikinti, ar tinkamai juda pjovimo disko apsauga, nuleiskite rankenėlę.
5. Prieš pradėdami pjauti, patikrinkite, ar veleno fiksatorius atlaisvino ašį.

Įrankiui su vidine jungė, skirta pjovimo diskui su 15,88 mm skersmens vidine anga

Priklausomai nuo šalies

Dėkite vidinę jungę ant tvirtinimo veleno taip, kad įdubusi vidinės jungės pusė būtų nukreipta į išorę, tada uždėkite pjovimo diską (jei reikia, uždėję žiedą), išorinę jungę ir įsukite varžtą su šešibriaune lizdine galvute.

Įrankis be žiedo

- **Pav.38:** 1. Išorinė jungė 2. Pjovimo diskas 3. Vidinė jungė 4. Šešiakampių lizdinių galvučių varžtas (kairysis) 5. Velenas

Įrankis su žiedu

- **Pav.39:** 1. Išorinė jungė 2. Pjovimo diskas 3. Vidinė jungė 4. Šešiakampių lizdinių galvučių varžtas (kairysis) 5. Žiedas 6. Velenas

⚠ISPĖJIMAS: Jei diskui ant veleno uždėti reikalingas žiedas, visada patikrinkite, ar tarp vidinės ir išorinės jungių uždėtas žiedas, tinkantis ketinamo naudoti disko veleno angai. Naudojant netinkamo skersmens veleno angai skirtą žiedą, diskas gali būti sumontuotas netinkamai, būti per laisvas ir stipriai vibruoti, todėl galima nesusvaldyti įrankio ir sunkiai susižaloti.

Įrankiui su vidine jungė, skirta pjovimo diskui su kitokia nei 20 mm arba 15,88 mm skersmens vidine anga

Priklausomai nuo šalies

Vidinė jungė vienoje savo pusėje turi vienokio disko tvirtinimo dalį, o kitoje – kitokio skersmens. Pasirinkite tinkamą pusę, kurios disko tvirtinimo dalis idealiai tinka pjovimo disko angai.

- **Pav.40:** 1. Išorinė jungė 2. Pjovimo diskas 3. Vidinė jungė 4. Šešiakampių lizdinių galvučių varžtas (kairysis) 5. Velenas 6. Disko tvirtinimo dalis

⚠PERSPĖJIMAS: Įsitikinkite, ar į išorę nukreipta vidinės jungės disko tvirtinimo dalis „a“ idealiai atitinka pjovimo disko angą „a“. Uždėjus diską netinkama puse, gali atsirasti pavojinga vibracija.

Dulkių surinkimo maišelis

Naudojant maišelį dulkėms, pjovimo darbai atliekami švariau, o dulkes lengva surinkti.

Norėdami pritvirtinti dulkių maišelį, užmaukite jį ant dulkių antgalio.

Kai dulkių maišelis pripildomas maždaug iki pusės, nuimkite jį nuo įrankio ir ištraukite sklendę. Išpilkite maišelio turinį, lengvai jį patapšnodami, kad nukristų visos prie vidinių sienelių prilipusios dalelės, kurios galėtų kliudyti tolesniam dulkių surinkimui.

- **Pav.41:** 1. Dulkių surinkimo maišelis 2. Dulkių surenkamasis antgalis 3. Fiksatorius

PASTABA: Jeigu prie šio pjovimo įrankio prijungiate dulkių siurbį, darbus galima atlikti švariau.

► Pav.42

Ruošinio pritvirtinimas

⚠ISPĖJIMAS: Nepaprastai svarbu visuo-met tinkamai įtvirtinti ruošinį spaustuvoose.

Nesilaikant šio nurodymo, galima sunkiai susižeisti ir sugadinti įrankį ir (arba) ruošinį.

⚠ISPĖJIMAS: Pjaunant ruošinį, ilgesnį už atraminis pjovimo įrankio pagrindą, jį reikia atremti per visą jo ilgį, esantį už atraminio pagrindo, tame pačiame aukštyje, kad ruošinys būtų horizontalus. Tinkama ruošinio atrama padės išvengti disko suspaudimo ruošinyje ir galimos atatrankos, galinčios lemti sunkius sužeidimus. Norėdami pritvirtinti ruošinį, nepasikliaukite vien tik vertikaliais ir (arba) horizontaliais spaustuvais. Plonas ruošinys gali įlįkti. Norėdami išvengti pjūklo disko sužnybimo ir galimos ATATRANKOS, paremkite ruošinį per visą jo ilgį.

- **Pav.43:** 1. Atrama 2. Sukiojamas pagrindas

Vertikalus spaustuvas

⚠ISPĖJIMAS: Gerai pritvirtinkite ruošinį spaustuvais prie sukamo pagrindo ir atremkite į kreiptuvą. Antraip pjaunant medžiaga gali judėti, pažeisti diską ir būti nusviesta, todėl galima prarasti kontrolę ir būti rimtai sužalotiems.

Vertikalų spaustuovą sumontuokite kreipiamojo aptvaro kairėje ar dešinėje. Įkiškite spaustuvo strypą į kreipiamojo aptvaro skylę ir užverždami apatinį varžtą įtvirtinkite spaustuvo strypą.

- **Pav.44:** 1. Spaustuvo rankena 2. Spaustuvo rankena 3. Kreipiamasis aptvaras 4. Sukiojamas pagrindas 5. Apatinis varžtas 6. Viršutinis varžtas 7. Spaustuvo strypas

Nustatykite spaustuvo rankeną pagal ruošinio storį ir formą ir užtvirtinkite ją, užverždami viršutinį varžtą. Jeigu viršutinis varžtas liečia kreipiamąjį aptvarą, viršutinį varžtą priveržkite priešingoje spaustuvo rankenos pusėje. Patikrinkite, ar visiškai nuleidus rankenėlę jokia įrankio dalis nesiliečia prie spaustuvo. Jeigu kokia nors dalis liečia spaustuovą, pakeiskite spaustuvo padėtį. Prispauskite ruošinį prie kreiptuvo ir pasukite pagrindą. Nustatykite ruošinį į norimą pjovimo padėtį ir užtvirtinkite jį, tvirtai užverždami spaustuvo rankeną.

Perpetės diržo tvirtinimas

Pasirenkamasis priedas

▲ PERSPĖJIMAS: Būtinai nuimkite perpetės diržą prieš įjungdami įrenginį. Perpetės diržas gali įstrigti ir tapti sužeidimo priežastimi.

▲ PERSPĖJIMAS: Perpetės diržo kabliu būtinai saugiai prikabinkite prie įrankio. Nevisiškai prikabinoti kabliai gali atsikabinti, todėl galite susižeisti.

Perpetės diržas yra patogi priemonė įrankiui perkelti. Kaip vaizduojama paveikslė, prie įrankio prikabinkite perpetės diržo kabliu.

► **Pav.45:** 1. Perpetės diržas 2. Kablys

NAUDOJIMAS

▲ ĮSPĖJIMAS: Prieš įjungdami įrankį, išitinkite, ar diskas neličia ruošinio ir pan. Įjungus įrankį, kai jo diskas liečia ruošinį, gali įvykti atatranka ir galima sunkiai susižeisti.

▲ ĮSPĖJIMAS: Pabaigę pjauti, neatkelkite pjovimo disko tol, kol jis visiškai nesustos. Atkėlus besisukančią diską, galima sunkiai susižeisti ir sugadinti ruošinį.

PASTABA: Prieš pradėdami naudoti įrankį, būtinai atleiskite rankenėlę iš žemiausios padėties, ištraukdami fiksavimo smaigą.

PASTABA: Pjaudami per daug nespauskite rankenėlės. Per didelė jėga gali sukelti variklio perkrovą ir (arba) sumažinti pjovimo efektyvumą. Spauskite rankenėlę žemyn tik tokia jėga, kokios reikia sklandžiai pjauti, ir smarkiai nedidinkite disko sukimosi greičio.

PASTABA: Norėdami atlikti pjūvį, atsargiai nuspauskite rankenėlę žemyn. Jeigu nuspausite rankenėlę jėga arba naudosite šoninę jėgą, diskas pradės vibruoti ir paliks ant ruošinio žymes (pjovimo žymes), todėl pjūvio tikslumas bus prastas.

Pjovimas naudojant spaudimą (mažų ruošinių pjovimas)

► **Pav.46**

46 aukščio ir 92 mm pločio ruošinius galima pjauti tokiu būdu.

1. Suspauskite ruošinį spaustuvais.
2. Įjunkite įrankį (pjovimo diskas neturi liesti ruošinio) ir, prieš nuleisdami diską, palaukite, kol jis pradės sukintis visu greičiu.
3. Po to atsargiai iki galo žemyn nuleiskite rankenėlę ir pradėkite pjauti ruošinį.
4. Baigę pjauti, išjunkite įrankį ir, prieš grąžindami diską į viršutinę padėtį, **palaukite, kol jis visiškai nustos sukintis.**

Įžambus pjovimas

Žr. anksčiau aprašytą skyrių „Įžambaus kampo nustatymas“.

Įstrižasis pjovimas

▲ ĮSPĖJIMAS: Nustatę diską įstrižųjų pjūvių darymui, prieš pradėdami naudoti įrankį, visada patikrinkite, ar pjūklo galvutė ir pjovimo diskas nevaržomai juda visose pjūvio ribose. Jeigu pjaunant pjūklo galvutės arba disko judėjimas bus sutrikdytas, gali įvykti atatranka, galinti sukelti sunkių sužalojimų.

▲ ĮSPĖJIMAS: Atlikdami įstrižuosius pjūvius, laikykite rankas atokiai nuo disko judėjimo kelio. Diskas gali judėti kitokiu nei įprasta kampu ir supainioti operatorių, o prisilietus prie pjovimo disko, galima sunkiai susižeisti.

▲ ĮSPĖJIMAS: Pjovimo disko negalima atkelti tol, kol jis visiškai nesustos. Atliekant įstrižą pjūvį, nupjautoji ruošinio dalis gali atsiremti į diską. Jeigu diskas pakeliamas, kai dar sukasi, jis gali sviesti nupjautą dalį ir suskaldyti medžiagą į atplaišas, kurios gali sunkiai sužeisti.

▲ ĮSPĖJIMAS: Atlikdami įstrižus pjūvius, visada nuimkite papildomą užtvara. Nesilaikant šių nurodymų, kyla pavojus sunkiai susižeisti.

► **Pav.47**

1. Norėdami nustatyti įstrižą kampą, atlaisvinkite svirtelę ir pakreipkite pjovimo diską (žr. anksčiau aprašytą skyrių „Įstrižo kampo nustatymas“). Patikrinkite, ar nustatę pasirinktą įstrižą kampą, tvirtai užveržėte svirtelę.
2. Suspauskite ruošinį spaustuvais.
3. Įjunkite įrankį (pjovimo diskas neturi liesti ruošinio) ir palaukite, kol jis pradės sukintis visu greičiu.
4. Atsargiai nuleiskite rankeną į žemiausią padėtį, tuo pačiu metu lygiagrečiai spausdami pjovimo diską, kad pjautumėte ruošinį.
5. Baigę pjauti, išjunkite įrankį ir, prieš grąžindami diską į viršutinę padėtį, **palaukite, kol jis visiškai nustos sukintis.**

PASTABA: Nuspausdami rankenėlę žemyn, kartu spauskite ir pjovimo diską. Jeigu jėga naudojama statmenai sukiojamam pagrindui arba jeigu spaudimu kryptis pjovimo metu pasikeičia, pjūvis bus netikslus.

Kombinuotasis pjovimas

Kombinuotasis pjovimas – tai procesas, kai ruošinys tuo pačiu metu pjaunamas įstrižu ir įžambiu kampais. Kombinuotąjį pjovimą galima atlikti lentelėje nurodytais kampais.

Nuožulnis kampas	Įstrižasis kampas
Kairėje ir dešinėje 45°	Kairėje ir dešinėje 0° – 45°
Dešinėje 52°	Kairėje 20° – dešinėje 45°
Kairėje 52°	Kairėje 45° – dešinėje 20°

Atlikdami kombinuotąjį pjovimą, žr. paaiškinimus skyriuose „Pjovimas, naudojant spaudimą“, „Įžambus pjovimas“ ir „Įstrižųjų pjūvių darymas“.

Forminių aliuminio ruošinių pjovimas

► **Pav.48:** 1. Spaustuvas 2. Skėtiklis 3. Kreipiamasis aptvaras 4. Aliuminio ruošinys 5. Skėtiklis

Forminiams aliuminio ruošiniams pritvirtinti naudokite atramines trinkelės arba metalo gabalėlius, kaip parodyta piešinyje, kad aliuminius nesideformuotų. Pjaujamam forminiams aliuminio ruošiniams, naudokite pjovimo tepalą, kad prie disko nepriliptų aliuminio dalelių.

▲PERSPĖJIMAS: Niekada nebandykite pjauti storų arba apvalių aliuminio profilių. Darbo metu stori forminiai aliuminio ruošiniai gali išsprūsti, o apvalių aliuminio dirbinių prie šio įrankio negalima tvirtai pritvirtinti.

Kartojamasis ruošinių pjovimas

Jei pjaunate keletą vienodo ilgio ruošinių, kurių ilgis 200 - 330 mm, darbas bus našesnis, jei naudosite nustatomą plokštelę (papildomas priedas). Pritvirtinkite nustatomą plokštelę ant laikiklio (papildomas priedas), kaip parodyta iliustracijoje.

► **Pav.49:** 1. Nustatoma plokštelė 2. Laikiklis 3. Varžtas

Sulygiuokite ant ruošinio pažymėtą pjovimo liniją su paprovos plokštelėje esančiu grioveliu iš kairės arba dešinės pusės ir, laikydami ruošinį, pristumkite nustatomą plokštelę prie ruošinio galo. Po to varžtu priveržkite nustatomą plokštelę.

Kai nustatomos plokštelės nenaudojate, atsukite varžtą ir patraukite ją, kad nemaišytų.

Įrankio nešimas

▲JSPĖJIMAS: Fiksavimo smaigas skirtas tik nešimo ir saugojimo tikslams; jo negalima naudoti jokiems pjovimo darbams. Naudojant fiksavimo smaigą pjovimo darbams, pjovimo diskas gali netikėtai pajudėti, sukelti atitrakimą ir sunkiai sužeisti.

▲PERSPĖJIMAS: Prieš nešdami įrankį, būtinai užtvirtinkite visas judamąsias dalis. Jeigu nešant įrankį kuri nors jo dalis pajudės, galima netekti kontrolės arba pusiausvyros ir susižeisti.

1. Ištraukite akumuliatoriaus kasetę.
2. Užveržkite diską 0° įstrižu kampu, o sukiojamą pagrindą – tinkamo nuožulnumo kampo padėtyje.
► **Pav.50:** 1. Sukiojamas pagrindas
3. Iki galo nuleiskite rankenėlę ir užfiksuokite ją žemiausioje padėtyje, įstumdami fiksavimo smaigą.
4. Įrankį neškite už rankenos.
► **Pav.51**

TECHNINĖ PRIEŽIŪRA

▲JSPĖJIMAS: Siekdami geriausių rezultatų ir saugaus darbo, visuomet įsitikinkite, ar diskas yra aštrus ir švarus. Bandant pjauti atbukusiu ir (arba) nešvarių disku, gali įvykti atitrakna, sąlygojanti sunkų sužeidimą.

▲PERSPĖJIMAS: Visuomet įsitikinkite, ar įrankis yra išjungtas ir akumuliatoriaus kasetė yra nuimta prieš atlikdami apžiūrą ir priežiūrą.

PASTABA: Niekada nenaudokite gazolino, benzino, tirpiklio, spirito arba panašių medžiagų. Gali atsirasti išblukimų, deformacijų arba trūkimų.

Kad gaminys būtų SAUGUS ir PATIKIMAS, jį taisyti, apžiūrėti ar vykdyti bet kokią kitą priežiūrą ar derinimą turi įgaliotasis kompanijos „Makita“ techninės priežiūros centras; reikia naudoti tik kompanijos „Makita“ pagamintas atsargines dalis.

Pjovimo kampo nustatymas

Šis įrankis gamykloje buvo kruopščiai nustatytas ir sulyguotas, tačiau jo neprižiūrint, sulygiavimas gali išsireguliuoti. Jeigu įrankis sulygiuotas netinkamai, atlikite tokius veiksmus:

Nuožulnus kampas

1. Prieš laikrodžio rodyklę atleiskite fiksavimo varžtą.
2. Sukite sukiojamą pagrindą tol, kol rodyklė kampinėje skalėje parodys 0°.

► **Pav.52:** 1. Fiksavimo varžtas 2. Sukiojamas pagrindas 3. Įžambiojo kampo skalė 4. Rodyklė

3. Tuptų pasukiokite sukiojamą pagrindą pagal laikrodžio rodyklę ir prieš ją, kad jis įsitaisytų 0° kampo nuožulnumo išpjoje. (Jeigu rodyklė nerodo 0° kampo, palikite taip, kaip yra).

4. Šešiakampių veržliarakčiu atlaisvinkite šešiakampių lizdinių galvučių varžtus, laikančius kreiptuvą.

► **Pav.53:** 1. Kreipiamasis aptvaras 2. Šešiakampių lizdinių galvučių varžtas

► **Pav.54:** 1. Kreipiamasis aptvaras 2. Šešiakampių lizdinių galvučių varžtas

5. Iki galo nuleiskite rankenėlę ir užfiksuokite ją žemiausioje padėtyje, įstumdami fiksavimo smaigą.

6. Trikampe liniuote, kampiniu ir pan. reguliuokite kreipiamąjį aptvarą tol, kol tarp jo ir disko atsidadarys status kampas. Po to tvirtai užveržkite kreipiamojo aptvaro šešiakampių lizdinius varžtus.

► **Pav.55:** 1. Kreipiamasis aptvaras 2. Trikampe liniuotė 3. Pjūklų diskas

7. Patikrinkite, ar rodyklė ant kampinės skalės rodo 0° kampą. Jeigu rodyklė nerodo 0° kampo, atsukite varžtą, kuris laiko rodyklę, ir pareguliuokite ją, kad ji rodytų 0° kampą.

► **Pav.56:** 1. Varžtas 2. Įstrižo kampo skalė 3. Rodyklė

Įstrižasis kampas

0° įstrižumo kampas

1. Iki galo nuleiskite rankenėlę ir užfiksukite ją žemiausioje padėtyje, įstumdami fiksavimo smaigą.
2. Atlaisvinkite įrankio gale esančią svirtelę.
3. Norėdami pakreipti pjovimo diską į dešinę, du ar tris apsisukimus pasukite 0° įstrižo kampo reguliavimo varžtą, esantį pjūklų galvutės dešinėje, sukdami prieš laikrodžio rodyklę.

► **Pav.57:** 1. Reguliavimo varžtas 2. Svirtis

4. Sukite 0° įstrižo kampo reguliavimo varžtą pagal laikrodžio rodyklę, kol disko šonas su sukiojamo pagrindo viršutiniu paviršiumi sudarys statų kampą. Kaip orientyrą naudokite trikampę liniuotę, kampainį ir pan. Po to tvirtai užveržkite svirtelę.

► **Pav.58:** 1. Trikampė liniuotė 2. Pjovimo diskas
3. Sukiojamo pagrindo viršutinis paviršius

5. Patikrinkite, ar ant rankenėlės esanti rodyklė rodo 0° kampa įstrižumo skalėje. Jeigu ji nerodo 0° kampo, atsukite varžtą, kuris laiko rodyklę, ir pareguliuokite ją, kad ji rodytų 0° kampą.

► **Pav.59:** 1. Varžtas 2. Rodyklė 3. Įstrižų kampų skalė

45° įstrižumo kampas

Nustatykite 45° įstrižą kampą tik po to, kai nustatysite 0° įstrižą kampą.

1. Atlaisvinkite svirtelę ir iki galo kairėn pakreipkite diską.
2. Patikrinkite, ar ant rankenėlės esanti rodyklė rodo 45° kampą įstrižumo skalėje. Jeigu rodyklė nerodo 45° kampo, sukite rankenėlės dešinėje esantį kairiojo 45° kampo reguliavimo varžtą, kol rodyklė rodys 45° kampą.

► **Pav.60:** 1. Dešiniojo 45° įstrižo kampo reguliavimo varžtas 2. Rodyklė 3. 45° įstrižo kampo reguliavimo varžtas

3. Iki galo paverskite diską į dešinę, tada dešiniojo 45° įstrižo kampo reguliavimo varžtu sureguliuokite dešinįjį 45° įstrižą kampą.

► **Pav.61:** 1. Pjūklų diskas 2. Trikampė liniuotė

Lazerio spindulio padėties reguliavimas

▲ISPĖJIMAS: Reguluojant lazerio spindulį prie įrankio turi būti prijungta akumulatoriaus kasetė. Būkite itin atsargūs, kad reguliuodami neįjungtumėte įrankio. Netyčia paleidus įrankį, galima sunkiai susižeisti.

▲PERSPĖJIMAS: Niekada nežiūrėkite tiesiai į lazerio spindulį. Žiūrint tiesiai į spindulį, akys gali būti sunkiai pažeistos.

PASTABA: Reguliariai tikrinkite, ar lazerio linijos padėtis yra tiksli.

PASTABA: Nepamirškite, kad tai veikia įrankį. Lazerio spindulys gali nukrypti arba lazeris gali būti pažeistas, todėl sutrumpės jo naudojimo laikas.

PASTABA: Sugedus lazerio blokui, atiduokite įrankį remontuoti įgaliotam „Makita“ techninio aptarnavimo centrui.

Keičiamą lazerio spindulio diapazoną galima sureguliuoti abiejose pusėse esančiais diapazono reguliavimo varžtais. Norėdami keisti lazerio spindulio padėtį, atlikite šias procedūras.

1. Ištraukite akumulatoriaus kasetę.
2. Ant ruošinio nubrėžkite pjovimo liniją ir padėkite ruošinį ant sukiojamo pagrindo. Dar netvirtinkite ruošinio spaustuvais arba panašiais tvirtinimo įrengimais.
3. Nuleiskite rankeną ir sulygiuokite pjovimo liniją su pjūklų disku.
4. Gražinkite rankeną į pradinę padėtį ir užfiksukite ruošinį vertikaliau spaustuvu, kad jis nepajudėtų iš nustatytos vietos.

► **Pav.62:** 1. Pjovimo linija

5. Prie įrankio prijunkite akumulatoriaus kasetę ir įjunkite lazerio jungiklį.

6. Atlaisvinkite reguliavimo varžtą. Norėdami nutolinti lazerio spindulį nuo disko, sukite diapazono reguliavimo varžtus prieš laikrodžio rodyklę. Norėdami priartinti lazerio spindulį prie disko, sukite diapazono reguliavimo varžtą pagal laikrodžio rodyklę.

Lazerio spindulio nustatymas į kairę pusę nuo disko

► **Pav.64:** 1. Reguliavimo varžtas 2. Diapazono reguliavimo varžtas 3. Šešiakampis veržliasukis 4. Lazerio spindulys 5. Pjūklų diskas

Lazerio spindulio nustatymas į dešinę pusę nuo disko

► **Pav.65:** 1. Diapazono reguliavimo varžtas 2. Šešiakampis veržliasukis 3. Lazerio spindulys 4. Pjūklų diskas

7. Stumkite reguliavimo varžtą į vietą, kurioje lazerio spindulys užaina ant pjovimo linijos, tada priveržkite.

PASTABA: Keičiamas lazerio spindulio diapazonas nustatytas gamykloje 1 mm atstumu nuo šoninio pjūklų disko paviršiaus.

Lazerio šviesos lęšio valymas

Lazerio spindulį tampa sunku žiūrėti, nes lazerio šviesos lęšis yra nešvarus. Reguliariai nuvalykite lazerio šviesos lęšį. Ištraukite akumulatoriaus kasetę. Atlaisvinkite varžtą ir ištraukite lęšį. Drėgna minkšta šluoste švelniai nuvalykite lęšį.

► **Pav.66:** 1. Varžtas

► **Pav.67:** 1. Lęšis

PASTABA: Neišsukite lęšį tvirtinančio varžto. Jei lęšis nenusiima, varžtą atlaisvinkite dar labiau.

PASTABA: Lęšių negalima valyti tirpikliais arba valikliais, pagamintais naftos pagrindu.

Po naudojimo

Pabaigę darbą, skudurėliu nuvalykite prie įrankio priliptusias atplaišas ir dulkes. Atitinkamai pagal anksčiau skyriuje „Pjovimo disko apsauga“ išdėstytus nurodymus, pjovimo disko apsauga turi būti laikoma švariai. Judamas dalis patepkite mašinine alyva, kad jos nerūdytų.

PASIRENKAMI PRIEDAI

⚠️ JSPĖJIMAS: Su šiame vartotojo vadove nurodytu „Makita“ įrankiu rekomenduojama naudoti šiuos „Makita“ įtaisus ir priedus. Naudojant bet kokius kitus įtaisus ir priedus, galima sunkiai susižeisti.

⚠️ JSPĖJIMAS: „Makita“ įtaisą arba priedą naudokite tik pagal jo numatytąją paskirtį. Naudojant įtaisą arba priedą ne pagal jo numatytąją paskirtį, galima sunkiai susižeisti.

Jeigu norite daugiau sužinoti apie tuos priedus, kreipkitės į artimiausią „Makita“ techninės priežiūros centrą.

- Diskai su karbido galais
- Laikiklio strypo agregatas
- Nustatymo plokštelė
- Perpetės diržas
- Originalus „Makita“ akumulatorius ir įkroviklis

PASTABA: Kai kurie sąraše esantys priedai gali būti pateikti įrankio pakuotėje kaip standartiniai priedai. Jie įvairiose šalyse gali skirtis.

TEHNILISED ANDMED

Mudel:	DLS600
Tera läbimõõt	165 mm
Ava (võlli) läbimõõt	20 mm
Max eerunginurk	Vasakule 52°, paremale 52°
Max kaldenurk	Vasakul 45° (vabastushoova kasutamisel 46°), paremal 45° (vabastushoova kasutamisel 46°)
Koormuseta kiirus	5 000 p/min ⁻¹
Laseri tüüp	Punane laser 650 nm, maksimaalne võimsus < 1,6 mW (laseri klass 2M)
Mõõtmed (P x L x K)	340 mm x 400 mm x 440 mm
Nimipinge	Alalisvool 18 V
Standardne akukassett	BL1815N / BL1820 / BL1820B / BL1830 / BL1830B / BL1840 / BL1840B / BL1850 / BL1850B / BL1860B
Laadija	DC18RC / DC18RD / DC18SD / DC18SE / DC18SF
Netokaal	6,3–6,6 kg

Max saagimisvõimsus (K x L) 165 mm teraga

Eerunginurk	Fassettnurk		
	45° (vasakule)	0°	45° (paremale)
0°	30 mm x 92 mm	46 mm x 92 mm	15 mm x 92 mm
45° (vasakule ja paremale)	30 mm x 65 mm	46 mm x 65 mm	15 mm x 65 mm

- Meie pideva uuringu- ja arendusprogrammi tõttu võidakse tehnilisi andmeid muuta ilma sellest ette teatamata.
- Tehnilised andmed ja akukassett võivad riigiti erineda.
- Kaal võib erineda olenevalt lisaseadistest, kaasa arvatud akukassetist. Kergeim ja raskeim kombinatsioon EPTA-protseduuri 01/2014 kohaselt on toodud tabelis.

Sümbolid

Alljärgnevalt kirjeldatakse seadmetel kasutatavaid tingimärke. Veenduge, et olete nende tähendusest aru saanud enne seadme kasutamist.



Lugege juhendit.



Vältimaks õhku paiskuvast prahist põhjustatud kehavigastust, jätkake pärast löikamist saepea all hoidmist, kuni löiketera on täielikult seiskunud.



Ärge asetage kätt ega sõrmi löiketera lähedusse.



Ärge kunagi vaadake otse laserkiirde. Otsene laserkiir võib silmi kahjustada.



Ainult EL-i riikide puhul
Ärge visake elektriseadmeid ja akusid ära koos majapidamisjätmetega!
Vastavalt Euroopa Parlamendi ja Nõukogu direktiividele elektri- ja elektroonikaseadmete jäätmete kohta ning patareide ja akude ning patareid- ja akujäätmete kohta ning nende nõuete kohaldamisele liikmesriikides tuleb kasutuskohtmatuks muutunud elektriseadmed ja akud koguda eraldi ning keskkonnasäästlikult korduv kasutada või ringlusse võtta.

Kavandatud kasutus

Tööriist on ette nähtud puidu täpseks sirgjooneliseks lõikamiseks ja faasimiseks. Kasutage saagi ainult puidu, alumiiniumi või teiste sarnaste materjalide lõikamiseks.

Müra

Tüüpiline A-korrigeeritud müratase, määratud standardi EN62841 kohaselt:
Helirõhutase (L_{PA}): 90 dB (A)
Helivõimsuse tase (L_{WA}): 97 dB (A)
Määramatus (K): 3 dB (A)

HOIATUS: Kasutage kõrvakaitsmeid.

Vibratsioon

Vibratsiooni koguväärtus (kolmeteljeliste vektorite summa) määratud standardi EN62841 kohaselt:
Vibratsiooniheide (a_h): 2,5 m/s² või vähem
Määramatus (K): 1,5 m/s²

MÄRKUS: Deklareeritud vibratsiooniheite väärtus on mõõdetud kooskõlas standardse testimiseetodiga ning seda võib kasutada ühe seadme võrdlemiseks teisega.

MÄRKUS: Deklareeritud vibratsiooniheite väärtust võib kasutada ka mürataseme esmaseks hindamiseks.

⚠️HOIATUS: Vibratsioonitase võib elektritööriista tegelikkuses kasutamise ajal erineda deklareeritud väärtusest olenevalt tööriista kasutamise viisidest.

⚠️HOIATUS: Rakendage operaatorei kaitsmiseks kindlasti piisavaid ohutusabinõusid, mis põhinevad hinnangulisel müratasemel tegelikus tööolukorras (võttes arvesse tööperioodi kõiki osasid, nagu näiteks korrad, kui seade lülitatakse välja ja seade töötab tühikäigul, lisaks tööajale).

EÜ vastavusdeklaratsioon

Ainult Euroopa riikide puhul

EÜ vastavusdeklaratsioon sisaldub käesoleva juhendi Lisas A.

OHUTUSHOIATUSED

Üldised elektritööriistade ohutushoiatused

⚠️HOIATUS: Lugege läbi kõik selle elektritööriistaga kaasas olevad ohutushoiatused, juhised, joonised ja tehnilised andmed. Järgnevate juhiste eiramine võib põhjustada elektrilöögi, süttimise ja/või raske kehavigastuse.

Hoidke edaspidisteks viideteks alles kõik hoiatused ja juhtnõbrid.

Hoiatuses kasutatud termini „elektritööriist“ all peetakse silmas elektriga töötavaid (juhtmeta) elektritööriistu või akuga töötavaid (juhtmeta) elektritööriistu.

Eerungisaagide ohutusjuhised

- Eerungisaad on mõeldud pidu või puidusarnaste toodete lõikamiseks; neid ei saa kasutada koos abrasiivsete lõikeketastega, mis on mõeldud lattide, varraste, neetide jt rauasulamist materjalide lõikamiseks.** Abrasiivne tolm põhjustab alumise piirde jt liikuvate osade kinnijäämise. Abrasiivsest lõikamisest tekivad sädemed põletavad alumist piiret, sisselõike siseosa ja teisi plastdetalle.
- Võimaluse korral kasutage töödeldava detaili toetamiseks klambreid.** Töödeldavat detaili käega hoides tuleb kätt hoida saeterast alati vähemalt 100 mm kaugusel. Ärge kasutage saage, et lõigata tükke, mis on turvaliselt kinnitamiseks või käega hoidmiseks liiga väikesed. Kui käsi asub saeterale liiga lähedal, on oht saeteraga vigastada saada väga suur.
- Töödeldav ese peab olema paigal ja olema nii piirde kui ka laua külge kinnitatud või vastu neid kinni hoitud.** Ärge juhtige töödeldavat eset vastu tera ega lõigake mingil muul moel „vaba käega“. Kinnitamata või liikuvad töödeldavad esemed võivad suure kiirusega eemale paiskuda ja põhjustada vigastusi.

- Mitte mingil juhul ärge asetage oma kätt ei saetera eest ega tagant risti üle plaanitava lõikejoone.** Töödeldava eseme hoidmine risti kätega, st hoides vasaku käega saeterast paremal asuvat töödeldavat eset või vastupidi, on väga ohtlik.

► Joon.1

- Ärge asetage kätt saetera pöörlemise ajal saepuru eemaldamiseks või mõnel muul põhjusel üle piirde saetera küljele lähemale kui 100 mm.** Käte kaugus saeterast ei pruugi olla ilmne ja te võite end raskelt vigastada.
- Uurige töödeldavat eset enne lõikamist.** Kui töödeldav ese on kooldunud või kaardus, kinnitage see välise kaardus pinnaga vastu piiret. Alati tuleb jälgida, et töödeldava eseme, piirde ja laua vahel ei oleks piki lõikejoont mingit vahet. Kooldunud või kaardus töödeldavad esemed võivad väänduda või nihkuda ja põhjustada lõikamise ajal saetera kinnijäämist. Töödeldavas esemes ei tohi olla naelu ega teisi võõrobjekte.
- Ärge kasutage saage enne, kui laualt on eemaldatud kõik tööriistad, saepuru jms peale töödeldava eseme.** Väike praht, lahtised puidutükid või muud pöörleva teraga kokkupuutuvad esemed võivad suurel kiirusel eemale paiskuda.
- Lõigake korraga ainult ühte töödeldavat eset.** Vinnastatud mitut töödeldavat eset ei ole võimalik korralikult kinnitada ega haarata ja tera võib lõikamise ajal kinni jääda või nihkuda.
- Veenduge, et eerungisaag on enne kasutamist paigaldatud või kinnitatud tasasele ja kindlale tööpinna.** Tasane ja kindel tööpidav vähendab eerungisaae ebastabiilseks muutumise ohtu.
- Mõelge oma töö läbi. Iga kord, kui muudate kalde- või faasinurga seadistust, veenduge, et ka reguleeritav piire on töödeldava eseme toetamiseks korralikult seadistatud ja ei sega lõiketera ega piirdesüsteemi.** Liigutage saetera tööriista sisse lülitamata ja töödeldavat eset lauale asetamata lõpuni läbi simuleeritud lõiketee veendumaks, et midagi ei takista ja pole ohtu piirdesse sisse lõigata.
- Lauapinnast suuremate töödeldavate esemete puhul tagage piisav tugi lauapikenduste, saepukkide jms näol.** Eerungisaae lauast laiemad või pikemad töödeldavad esemed võivad halvasti toetamise korral ümber minna. Äralõigatav osa või töödeldav eseme ümberminemisel võivad nad alumise piirde üles tõsta või pöörleva tera poolt eemale paiskuda.
- Ärge kasutage teist inimest lauapikenduse asemel või lisatoena.** Töödeldava eseme eba-kindel toetus võib põhjustada lõikamise ajal tera kinnijäämist või töödeldava eseme liikumist ning tõmmata teid ja abiliit vastu pöörlevat tera.
- Äralõigatavat osa ei tohi kinni jääda ega mitte mingil moel jõuga vastu pöörlevat saetera suruda.** Kinnijäämise korral, näiteks pikki pause tehes, võib ära lõigatav osa vastu tera kiiluda ja suure jõuga eemale paiskuda.
- Ümarate materjalide, nagu ümarlattide või torude korralikult toetamiseks tuleb alati kasutada selleks ettenähtud klambrit või kinnitust.** Ümarlatid võivad hakata lõikamise ajal veerema, põhjustades sellega tera „hammustamist“ ja tõmmates töödeldava eseme koos teie käega vastu saetera.

15. Laske saeteral saavutada täiskirius, enne kui viite selle vastu töödeldavat eset. See vähendab töödeldava eseme eemale paiskumise ohtu.
16. Kui töödeldav ese või tera jääb kinni, lülitage eeringusaag välja. Oodake, kuni kõik liukuvad osad on seiskunud, ja tõmmake pistik toiteallikast ja/või eemaldage akupaket. Seejärel asuge eemaldama kinni jäänud materjali. Saagimise jätkamine kinni jäänud töödeldava esemega võib tuua kaasa kontrolli kaotamise või kahjustada eeringusaagi.
17. Pärast lõikamise lõppu vabastage lüliti, hoidke saepead all, oodake, kuni tera on täielikult seiskunud, ja alles siis eemaldage ära lõigatud osa. Käe viimine vabakäigul liikuva saetera lähedale on ohtlik.
18. Mittetäieliku lõike tegemisel või lüliti vabastamisel, enne kui saag on täiesti alla asendisse jõudnud, hoidke tugevalt käepidemest. Sae pidurdumine võib põhjustada saepea ootamatut allapoole tõmbamist, tekitades sellega vigastamisohu.
19. Kasutage saeterade puhul ainult sellist läbimõõtu, mis on märgitud tööriistale või määratud kindlaks kasutusjuhendis. Vale suurusega lõiketera kasutamine võib negatiivselt mõjutada lõiketera nõuetekohast kaitset või kaitsepiirde funktsioneerimist, mille tagajärjeks võib olla raske kehavigastus.
20. Kasutage ainult selliseid saeteri, millele märgitud kirius on võrdne tööriistale märgitud kiirusega või sellest suurem.
21. Kasutage saagi ainult puidu, alumiiniumi või teiste sarnaste materjalide lõikamiseks.
22. (Ainult Euroopa riikide puhul)
Kasutage alati standardile EN847-1 vastavat saetera.

Lisajuhised

1. Tehke töökoda tabalukke kasutades lastekindlaks.
2. Ärge kunagi seiske tööriista peal. Tööriista ümberminemine või lõikeriistaga kogemata kokkupuutumine võib põhjustada raske vigastuse.
3. Ärge jätke töötavat tööriista kunagi järelevalveta. Lülitage toide välja. Ärge jätke tööriista järelevalveta enne, kui see on täielikult seiskunud.
4. Ärge töötage saega, mille piirded ei ole omal kohal. Enne igakordset kasutamist kontrollige terakaitse õiget sulgemist. Ärge töötage saega, kui terakaitse ei liigu vabalt ega sulgu kohe. Ärge kunagi kinnitage terakaitse klambri ega siduge seda avatud asendisse.
5. Hoidke käed väljaspool saetera liikumistrajektoori. Vältige kokkupuudet mis tahes vabakäigul liikuva lõiketeraga. See võib põhjustada tõsise kehavigastuse.
6. Enne tööriista kandmist fikseerige kõik liikuvad osad.
7. Lukustustihvt, mis lukustab lõikuri, on ette nähtud ainult kandmiseks ja hoistamiseks ning ei ole mõeldud lõiketoiingute ajal kasutamiseks.
8. Enne toimingu tegemist kontrollige hoolikalt, et lõiketeral poleks mõrasid ega vigastusi. Asendage pragnenud või vigastatud lõiketera viivitamatult. Kõvastunud kumm ja puuvaik lõiketeradel aeglustab sae tööd ning suurendab tagasilöögi tekkimise võimalust. Hoidke lõiketera puhtana, eemaldades selle esmalt tööriista küljest, seejärel puhastades seda kummi- ja puuvaigu eemaldusvahendi, kuuma vee või petrooleumiga. Ärge kasutage kunagi tera puhastamiseks bensiini.
9. Kasutage ainult äärikuid, mis on mõeldud kasutamiseks koos selle tööriistaga.

10. Olge ettevaatlik, et mitte kahjustada vööli, äärikuid (eriti paigalduspinda) ega polti. Nende osade kahjustused võivad põhjustada ketta purunemise.
11. Veenduge, et pöörдалus oleks õigesti kinnitatud, nii et see töötamise ajal ei liiguks. Kasutage alusel olevaid avasid, et kinnitada saag stabiilse tööplatvormi või -pingi külge. ÄRGE kunagi kasutage tööriista, kui operaatore asend on ebaloomulik.
12. Enne lüliti sissevajatamist veenduge, et voolilukk oleks vabastatud.
13. Veenduge, et lõiketera ei puudutaks oma kõige madalamas asendis pöörдалust.
14. Hoidke kindlat käepidemest. Pange tähele, et käivitamisel ja seiskamisel liigub saag veidi üles või alla.
15. Veenduge, et lihvketas ei puutuks enne tööriista sisselülitamist vastu töödeldavat detaili.
16. Enne tööriista kasutamist töödeldaval esemel laske sellel mõnda aega koormuseta töötada. Olge tähelepanelik vibratsiooni või vibamise suhtes, mis võib anda märku väärast paigaldusest või halvasti tasakaalustatud lõiketerast.
17. Kui märkate midagi ebaharilikku, peatage töö viivitamatult.
18. Ärge püüdke lukustada päästikut sisselülitatud (ON) asendis.
19. Kasutage alati selles kasutusjuhendis soovitatud tarvikuid. Sobimatute tarvikute, nagu sobimatute abrasiivketaste, kasutamine võib põhjustada kehavigastuse.
20. Mõned materjalid võivad sisaldada mürgiseid aineid. Võtke meetmed tolmu sissehingamise ja nahaga kokkupuutumise vältimiseks. Järgige materjali tarnija ohutusteavet.

Laselit puudutavad lisaohutusnõuded

1. LASERKIIRGUS, ÄRGE VAADAKE KIIRTESSE EGA VAADAKE KIIRI OTSE OPTILISTE INSTRUMENTIDEGA, 2M KLASSI LASERTOODE.

HOIDKE JUHEND ALLES.

⚠️ HOIATUS: ÄRGE UNUSTAGE järgida toote ohutusnõudeid mugavuse või toote (korduskasutamise) saavutamise hea tundmise tõttu. VALE KASUTUS või kasutusjuhendi ohutuseeskirjade eiramine võib põhjustada tervisekahjustusi.

Akukassetiga seotud olulised ohutusjuhised

1. Enne akukasseti kasutamist lugege (1) akulaadidial, (2) akul ja (3) seadmel olevad juhtnõidid ja hoiatused läbi.
2. Ärge võtke akukassetti lahti.
3. Kui tööaeg järsult lüheneb, siis lõpetage kohe kasutamine. Edasise kasutamise tulemuseks võib olla ülekuumenemisoht, võimalikud põletused või isegi plahvatus.
4. Kui elektrolüüti satub silma, siis loputage silma puhta veega ja pöörduge koheselt arsti poole. Selline õnnetus võib põhjustada pimedaksjäämist.

5. Ärge tekitage akukassetis lühist:
 - (1) Ärge puutuge klemme elektrijuhtidega.
 - (2) Ärge hoidke akukasseti tööriistakastis koos metallesemetega, nagu naelad, mündid jne.
 - (3) Ärge tehke akukasseti märjaks ega jätke seda vihma kätte.

Aku lühis võib põhjustada tugevat elektrivoolu, ülekuumenemist, põletusi ning ka sea-
det tõsiselt kahjustada.
6. Ärge hoidke tööriista ja akukasseti kohtades, kus temperatuur võib tõusta üle 50 °C.
7. Ärge põletage akukasseti isegi siis, kui see on saanud tõsiselt vigastada või on täiesti kulu-
nud. Akukasset võib tules plahvatada.
8. Olge ettevaatlik, ärge laske akul maha kukkuda ja vältige lööke.
9. Ärge kasutage kahjustatud akut.
10. Sisalduvatele liitium-ioonakudele võivad kohalduda ohtlike kaupade õigusaktide nõu-
ded.
Kaubanduslikul transportimisel, näiteks kolman-
date poolte või transpordiettevõtete poolt, tuleb järgida pakendil ja siltidel toodud erinõudeid.
Transportimiseks ettevalmistamisel on vajalik pidada nõu ohtliku materjali eksperdiga. Samuti tuleb järgida võimalike riiklike regulatsioonide üksikasjalikumaid nõudeid.
Katke teibiga või varjake avatud kontaktid ja pakendage aku selliselt, et see ei saaks pakendis liikuda.

11. Järgige kasutuskõlbatuks muutunud aku käitlemisel kohalikke eeskirju.

HOIDKE JUHEND ALLES.

⚠ETTEVAATUST: Kasutage ainult Makita originaalakusid. Mitte Makita originaalakude või muudetud akude kasutamine võib põhjustada akude süttimise, kehavigastuse ja kahjustuse. Samuti muu-
dab see kehtetuks Makita tööriista ja laadija Makita garantii.

Vihjeid aku maksimaalse kasu- tusaja tagamise kohta

1. Laadige akukasseti enne selle täielikku tühjenemist. Kui märkate, et tööriist töötab väiksema võimsusega, peatage töö ja laadige akukasseti.
2. Ärge laadige täielikult laetud akukasseti. Ülelaadimine lühendab akude kasutusiga.
3. Laadige akukasseti toatemperatuuril 10 °C - 40 °C. Enne laadimist laske kuumenenud akukassetil maha jahtuda.
4. Kui te ei kasuta akukasseti kauem kui kuus kuud, laadige see.

OSADE KIRJELDUS

► Joon.2

1	Lahtlikustusnupp	2	Lüliti päästik	3	Käepide	4	Terakarp
5	Tera	6	Terakaitse	7	Alltõkis	8	Väike alltõkis
9	Alus	10	Eerungiplat	11	Juhtpiire	12	Vertikaalne kinnitusrakis
13	Tolmukott	14	Tolmuotsik	15	Keskmine kate	-	-

► Joon.3

16	Lamp	17	Akukasset	18	Kuusantvõti	19	Vabastushoob
20	Hoob (kaldenurga reguleerimiseks)	21	Otsamislaud	22	Alampiiri reguleerimispol	23	Lambi lüliti
24	Laseri lüliti	-	-	-	-	-	-

PAIGALDAMINE

Paigaldamine lauale

⚠HOIATUS: Veenduge, et masin ei liiguks tugipinnal. Kui eerungisaag liigub saagimise ajal tugipinnal, võib see lõppeda kontrolli kaotamisega seadme üle ja tõsise vigastusega.

1. Kinnitage alus kahe poldiga tasasele ja kindlale pinnale. See aitab vältida kummuliminekut ja võimalikke vigastusi.

► Joon.4: 1. Pold

FUNKTSIONAALNE KIRJELDUS

⚠️ HOIATUS: Kandke alati hoolt selle eest, et tööriist oleks enne selle reguleerimist või funktsioonide kontrollimist välja lülitatud ning akukasett eemaldatud. Kui jätta tööriist välja lülitamata ja akukasett eemaldamata, võib selle tagajärjeks olla tööriista juhuslikust käivitumisest tingitud raske kehavigastus.

Akukasetti paigaldamine või eemaldamine

⚠️ ETTEVAATUST: Lülitage tööriist alati enne akukasetti paigaldamist või eemaldamist välja.

⚠️ ETTEVAATUST: Akukasetti paigaldamisel või eemaldamisel tuleb tööriista ja akukasetti kindlalt paigal hoida. Kui tööriista ja akukasetti ei hoita kindlalt paigal, võivad need käest libiseda ning kahjustada tööriista ja akukasetti või põhjustada kehavigastusi.

► **Joon.5:** 1. Punane näidik 2. Nupp 3. Akukasett

Akukasetti eemaldamiseks libistage see tööriista küljest lahti, vajutades kasseti esiküljel paiknevat nuppu alla.

Akukasetti paigaldamiseks joondage akukasetti keel korpuse soonega ja libistage kassett oma kohale. Paigaldage akuadapter alati nii kaugele, et see lukustusklõpsatusega oma kohale. Kui näete nupu ülaosas punast osa, pole kassett täielikult lukustunud.

⚠️ ETTEVAATUST: Paigaldage akukasett alati täies ulatuses nii, et punast osa ei jääks näha.

Muidu võib adapter juhuslikult tööriistast välja kukkuda ning põhjustada teile või läheduses viibivatele isikutele vigastusi.

⚠️ ETTEVAATUST: Ärge rakendage akukasetti paigaldamisel jõudu. Kui kassett ei lähe kergesti sisse, pole see õigesti paigaldatud.

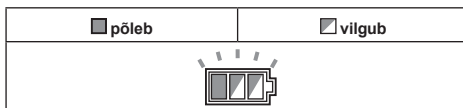
Tööriista/aku kaitsesüsteem

Tööriist on varustatud tööriista või aku kaitsesüsteemiga. Süsteem lülitab mootori automaatselt välja, et pikendada tööriista ja aku tööiga. Tööriist seiskub käitamise ajal automaatselt, kui tööriista või aku kohta kehtib üks järgmistest tingimustest.

Ülekoormuskaitse

Kui tööriista kasutamise käigus hakkab see tarbima ebaharilikult palju voolu, peatub tööriist automaatselt ilma igasuguse signaalita. Sellisel juhul lülitage tööriist välja ning lõpetage tööriista ülekoormuse põhjustanud tegevus. Pärast seda käivitage tööriist uuesti.

Ülekuumenemiskaitse



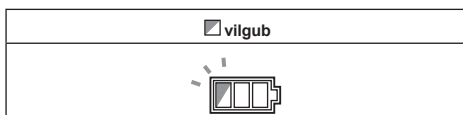
Kui tööriist on ülekuumenenud, seiskub see automaatselt ja aku indikaator vilgub umbes 60 sekundit. Sellises olukorras laske tööriistal maha jahtuda enne, kui selle uuesti sisse lülitate.

Ülelaadimiskaitse

Kui aku laetuse tase on madal, siis seiskub tööriist automaatselt. Kui seade ei hakka tööle ka lülite kasutamisel, eemaldage tööriistast akud ja laadige neid.

Kaitsesüsteemi luku tühistamine

Kui kaitsesüsteem korduvalt aktiveeritakse, siis tööriist lukustatakse ja aku indikaator hakkab vilkuma.


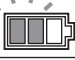




Sel juhul lülitage lüliti välja, kõrvaldage põhjus, mis kaitsesüsteemi aktiveerib, ja seejärel lülitage lüliti uuesti sisse. Kui tööriist ei hakka pärast lüliti uuesti sisselülitamist tööle, eemaldage akukasett ja laadige seda.

Aku jääkmahutavuse näit

► **Joon.6:** 1. Akunäidik

Lüliti päästiku vajutamisel näitab aku indikaator aku jääkmahutavust.



















Akunäidiku olek			Aku jääkmahutavus
<input type="checkbox"/> Põleb	<input type="checkbox"/> Ei põle	<input checked="" type="checkbox"/> Vilgub	
			50% kuni 100%
			20% kuni 50%
			0% kuni 20%
			Laadige akud

Aku jääkmahutavuse näit

Ainult näidikuga akukassetidele

► **Joon.7:** 1. Märkulambid 2. Kontrollimise nupp

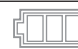
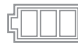
Akukasseti järelejäänud mahutavuse kontrollimiseks vajutage kontrollimise nuppu. Märkulambid süttivad mõneks sekundiks.

Märkulambid			Jääkmahutavus
 Pöleb	 Ei põle	 Vilgub	
			75 - 100%
			50 - 75%
			25 - 50%
			0 - 25%
			Laadige akut.
			Akul võib olla tõrge.
			

MÄRKUS: Näidatud mahutavus võib veidi erineda tegelikust mahutavusest olenevalt kasutustingimustest ja ümbritseva keskkonna temperatuurist.

Automaatne kiiruse muutmise funktsioon

► **Joon.8:** 1. Režiiminäidik

Režiiminäidiku olek	Töörežiim
	Suure kiiruse režiim
	Suure pöördemomendi režiim

Tööriistal on „suure kiiruse režiim” ja „suure pöördemomendi režiim”. Töörežiimi muudetakse automaatselt olenevalt töökoormusest. Kui režiimiindikaator hakkab käitumise ajal põlema, siis on tööriist suure pöördemomendi režiimis.

Kinnitustihvt

ETTEVAATUST: Kinnitustihvti vabastamisel hoidke alati käepidemest. Muidu paiskuvad käepideme vedrud välja ja võivad põhjustada kehavigastuse.

Kinnitustihvti vabastamiseks vajutage jätkuvalt kergelt käepidemele ja tõmmake seejärel kinnitustihvt välja.

► **Joon.9:** 1. Kinnitustihvt

Terakaitse

HOIATUS: Saeketta kaitset ega kaitsme külge kinnitatud vedru ei tohi kunagi kõrvale pöörata ega eemaldada. Kõrvale pööratud kaitsme tõttu paljastatud saeketas võib kasutamisel põhjustada tõsiseid vigastusi.

HOIATUS: Ärge mitte mingil kasutage saagi, kui saeketta kaitse või vedru on kahjustatud, defektne või eemaldatud. Katkise, rikkis või eemaldatud kaitsmega masina kasutamine võib lõppeda tõsise vigastusega.

ETTEVAATUST: Ohutu töötamise huvides hoidke terakaitse alati heas seisukorras. Lõpetage kohe töötamine, kui terakaitseme ga midagi valesti. Kontrollige terakaitseme tagasitõmbevedru töökorda.

► **Joon.10:** 1. Terakaitse

Käepideme langetamisel tõuse terakaitse automaatselt. Kaitse on varustatud tagasitõmbevedruga, naastes pärast lõike tegemist ja käepideme tõstmist oma algsele kohale.

Puhastamine

► **Joon.11:** 1. Terakaitse

Kui läbipaistev terakaitse määrub või sellele koguneb tera ja/või töödeldava detaili nähtavust halvendav saepuru, eemaldage akukassett ja puhastage kaitset hoolikalt niiske lapiga. Ärge kasutage plastkaitsme puhastamiseks lahusteid või mis tahes naftapõhiseid puhastusvahendeid, sest need võivad kaitset kahjustada. Puhastamiseks tõstke terakaitset, jälgides jaotist „Saetera paigaldamine või eemaldamine”. Puhastamise järel viige tera ja keskmine kate tagasi oma kohale ja pingutage kuuskantpesapolti.

1. Veenduge, et tööriist oleks välja lülitatud ja akukassett eemaldatud.

2. Keerake kuuskantpesapolti kaasas oleva kuuskantvõtmega ja hoidke samal ajal keskmist katet.

3. Tõstke terakaitse ja keskmine kate üles.

4. Kui puhastamine on lõpetatud, viige keskmine kate tagasi oma kohale ja pingutage kuuskantpesapolti, korrates eeltoodud toiminguid vastupidises järjestuses.

HOIATUS: Ärge eemaldage terakaitset kinni hoidvat vedru. Kui kaitse on UV-kiirguse või vananemise tõttu kahjustunud, võtke ühendust Makita teeninduskeskusega, et uus hankida. **KAITSE KÕRVALEPÖÖRAMINE VÕI EEMALDAMINE ON KEELATUD.**

Otsamislaua paigutamine

See tööriist on varustatud otsamislaudadega eeringiplaadi alusel, mis minimeerivad lõike väljumiskülje rebimist. Otsamislaud on tehases reguleeritud nii, et saetera ei puutuks nende vastu. Enne kasutamist reguleerige otsamislaudu järgmiselt:

1. Eemaldage kindlasti akukassett. Seejärel keerake kõik otsamislaudu kinni hoidvad kruvid lahti (2 tk vasakul ja paremal).

► **Joon.12:** 1. Otsamislaud 2. Kruvi

- Kinnitage need uuesti ainult sel määral, et otsamislaudu saab kergesti käega liigutada.
- Langetage käepide madalaimasse asendisse ja vajutage kinnitustihvt sisse, et lukustada käepide langevatud asendisse.
- Reguleerige otsamislaudu nii, et need puudutaksid napilt saehammaste külgi.

► Joon.13

- **Joon.14:** 1. Saetera 2. Tera hammas
3. Otsamislaud 4. Vasakpoolne fasset-
tõige 5. Sirglõikus

- Kinnitage kruvid (ärge keerake kõvasti kinni).
- Pärast otsamislaudade reguleerimist vabastage kinnitustihvt ja tõstke käepidet. Seejärel kinnitage kõik kruvid tugevasti.

TÄHELEPANU: Pärast faasinurga seadistamist veenduge, et otsamislaud oleksid korralikult seadistatud. Otsamislaudade õige seadistamine aitab tagada töödeldavale esemele korraliku toe ja minimeerida selle purunemisohtu.

Maksimaalse saagimisjõudluse tagamine

Masina tehaseseadistus pakub 165 mm saeteraga saagimisel maksimaalset saagimisjõudlust. Uue tera paigaldamisel kontrollige alati tera alumist püürasendit ja vajaduse korral reguleerige seda järgmiselt:

- Eemaldage akukassett. Langetage käepide madalaimasse asendisse.
 - Kasutage kuuskantmutrivõtiti, et keerata alampiiri reguleerimispoliti, kuni saetera on liikunud kergelt juhtpiirde ja pöördaluse ülapiinna ristumiskoha alla.
- **Joon.15:** 1. Reguleerimispoliti
- **Joon.16:** 1. Juhtpiire

- Pöörake tera käega, hoides samal ajal käepidet all, et tera ei puutuks vastu alust. Vajaduse korral reguleerige veidi.

▲HOIATUS: Uue saeketta paigaldamise järel (akukassett peab olema eemaldatud) veenduge alati selles, et ketas ei satuks käepideme alumise asendi korral kokkupuutesse aluse ühegi osaga. Saeketta kokkupuude alusega võib kaasa tuua tagsilööke ja põhjustada tõsiseid vigastusi.

► Joon.17

Alltõkis

Riigile omane

See tööriist on varustatud alltõkise ja väikeste alltõkistega.

Alltõkis

▲HOIATUS: Fassetlõikamise korral eemaldage alati alltõkis. Muidu võib tagajärjeks olla tõsine vigastus.

► Joon.18:

 1. Alltõkis

Muude lõikamiste korral peale fassetlõikamise kasutage töödeldava detaili toetamiseks alltõkist.

Väike alltõkis

▲ETTEVAATUST: Parempoolse fassetlõikamise korral lükake väikesed alltõkised alla. Muidu võivad need minna vastu tera või tööriista muud osa ja põhjustada kasutajale raskeid vigastusi.

► Joon.19:

 1. Väike alltõkis 2. Skaala

Vertikaalse lõikamise või vasakpoolse fassetlõikamise korral lükake need töödeldava detaili toetamiseks üles. Juhtpiirdel on 10 mm intervalliga skaala.

Eerunginurga reguleerimine

► Joon.20:

 1. Kinnituskrugi 2. Eerungiplaat
3. Eerungiskaala 4. Osuti

- Lõdvendage kinnituskrugi vastupäeva.
- Reguleerige pöördaluse nurka. Kasutage suunisena osutit ja eerungiskaalat.
- Keerake kinnituskrugi päripäeva korralikult kinni.

▲ETTEVAATUST: Pärast eerunginurga reguleerimist kinnitage alati korralikult pöördalus, pingutades kinnituskrugi.

TÄHELEPANU: Eerungiplaadi keeramisel tõstke käepide kindlasti kõrgeimasse asendisse.

Kaldenurga reguleerimine

Kaldenurga reguleerimiseks keerake tööriista taga asuvat hooba allapoole.

► Joon.21:

 1. Hoob

Tera vasakule kallutamiseks hoidke käepidemest ja kallutage saepead. Kasutage suunisena kaldenurga skaalat ja osutit. Seejärel keerake hooba saepea kinnitamiseks tugevalt ülespoole.

► **Joon.22:** 1. Osuti 2. Kaldenurga skaala

Tera paremale kallutamiseks hoidke käepidemest, kallutage saepead natukene vasakule ja vajutage vabastusnuppu. Kui hoiate vabastusnuppu all, kallutage saetera paremale. Keerake hooba saepea kinnitamiseks tugevalt ülespoole.

► Joon.23:

 1. Vabastusnupp

▲ETTEVAATUST: Pärast kaldenurga reguleerimist kinnitage alati korralikult saepea, pöörates hooba tugevalt ülespoole.

TÄHELEPANU: Saeketta kallutamisel tõstke käepide täielikult üles.

TÄHELEPANU: Kaldenurga muutmisel veenduge, et asetate otsamislaudu nii, nagu on kirjeldatud lõigus „Otsamislaudade paigaldamine”.

46° kaldenurga seadistus

- Lõdvendage hooba ja kallutage tera lõpuni vasakule või paremale.

► Joon.24:

 1. Hoob

- Tera vasakule kallutamiseks hoidke käepidemest, kallutage saepead natukene paremale ja seejärel liigutage vabastushooba noole suunas. Kaldenurka saab reguleerida vahemikus 45° kuni 46°, kallutades saepead ja liigutades samal ajal vabastushooba.

Tera paremale kallutamiseks hoidke käepidemest, kallutage saepead natukene vasakule ja seejärel liigutage vabastushooba noole suunas. Kaldenurka saab reguleerida vahemikus 45° kuni 46°, kallutades saepead ja liigutades samal ajal vabastushooba.

► **Joon.25:** 1. Hoob 2. Vabastushoob

3. Keerake hooba saepea kinnitamiseks tugevalt ülespoole.

Hoova asendi reguleerimine

Kui hoob ei hoia aja jooksul enam täie jõuga kinni, muutke hoova asendit. Hooba saab 30° sammuga ümber paigutada.

Keerake lahti ja eemaldage hoova kinnituskruvi. Eemaldage hoob ja paigaldage see uuesti, nii et see oleks suunatud tasapinnast veidi kõrgemale. Seejärel pingutage hoob tugevasti kruviga.

► **Joon.26:** 1. Hoob 2. Kruvi

Lüliti funktsioneerimine

⚠HOIATUS: Kontrollige alati enne akukasseti tööriista külge paigaldamist, kas lüliti päästik funktsioneerib nõuetekohaselt ja liigub lahtilaskmisel tagasi väljalülitatud asendisse. Tööriista juhtimine lüliti abil, mis ei toimi korralikult, võib kaasa tuua kontrolli kaotamise sae üle ja põhjustada tõsisid vigastusi.

⚠HOIATUS: ÄRGE KUNAGI kasutage tööriista, kui lüliti päästik ei ole täielikus töökorras. Mis tahes masin, mille lüliti on korrast ära, on ÜLIMALT OHTLIK ja vajab enne edasist kasutamist remonti, sest muidu võite saada tõsiselt vigastada.

⚠HOIATUS: Teie ohutuse huvides on masin varustatud lahtilukustusnupuga, mis hoiab ära masina etteakavatsematu käivitumise. **ÄRGE kasutage KUNAGI masinat, kui see käivitub ka siis, kui lahtilukustusnuppu vajutamata tõmbate lihtsalt lüliti päästikut.** Remonti vajav lüliti võib põhjustada masina soovimatut sisselülitumist, millega kaasnevad tõsised vigastused. ENNE edasist kasutamist viige masin parandamiseks Makita teeninduskeskusesse.

⚠HOIATUS: Lahtilukustusnupu fikseerimine kleelplindi vms-ga on KEELATUD. Inaktiveeritud lahtilukustusnupuga lüliti võib põhjustada masina soovimatut sisselülitumist, millega kaasnevad tõsised vigastused.

TÄHELEPANU: Ärge tõmmake lüliti päästikut tugevasti ilma lahtilukustusnuppu vajutamata. See võib põhjustada lüliti purunemise.

Et vältida lüliti päästiku juhuslikku vajutamist, on tööriistal blokeerimisnupp. Tööriista käivitamiseks vajutage lahtilukustusnupp sisse ning tõmmake lüliti päästikut. Seiskamiseks vabastage lüliti päästik.

► **Joon.27:** 1. Blokeerimisnupp 2. Ava tabaluku jaoks 3. Lüliti päästik

Lambi süütamine

⚠ETTEVAATUST: See lamp pole veekindel. Ärge peske lampi vees ega kasutage seda vihma käes või niiskes kohas. See võib põhjustada elektrilööki ja suitsu eraldumist.

⚠ETTEVAATUST: Ärge puudutage lambiklaasi, kuna see on põlemise ajal ja vahetult pärast väljalülitamist väga kuum. See võib põletushaavu tekitada.

⚠ETTEVAATUST: Ärge lööge vastu lampi, sest see võib seda vigastada või lühendada selle kasutusiga.

⚠ETTEVAATUST: Ärge suunake lambi valgust pikalt otse silma. See võib silmad valutama panna.

⚠ETTEVAATUST: Ärge katke põlevat lampi riide, papi, kartongi ega muu sarnase tule- või süttimohtliku esemega.

⚠ETTEVAATUST: Ärge vaadake otse valgusesse ega valgusallikat.

Lambi sisselülitamiseks vajutage lüliti ülemist osa (I). Lambi väljalülitamiseks vajutage lüliti alumist osa (0).

► **Joon.28:** 1. Lamp 2. Lambi lüliti

MÄRKUS: Pühkige lamp kuiva lapiga puhtaks. Olge seda tehes ettevaatlik, et lambi läätse mitte kriimustada, sest muidu võib valgustus väheneda.

MÄRKUS: Lülitage lüliti kindlasti välja, kuna sisselülitatult kulutab see akutoidet.

Laserikiire funktsioon

⚠ETTEVAATUST: Ärge kunagi vaadake otse laserikiirde. Otsene laserikiir võib silmi kahjustada.

Laserikiire sisselülitamiseks vajutage lüliti ülemist osa (I). Laserikiire väljalülitamiseks vajutage lüliti alumist osa (0).

► **Joon.29:** 1. Laseri lüliti

MÄRKUS: Lülitage lüliti kindlasti välja, kuna sisselülitatult kulutab see akutoidet.

Laserijooni saab nihutada saeterast nii vasakule kui ka paremale, keerates reguleerimiskruvi järgmiselt.

► **Joon.30:** 1. Reguleerimiskruvi

1. Keerake reguleerimiskruvi vastupäeva lahti.
2. Kui reguleerimiskruvi on lahti keeratud, libistage see lõpuni paremale või vasakule.
3. Keerake reguleerimiskruvi asendis, kus see libisemise lõpetas, tugevasti kinni.

MÄRKUS: Laserijoon on tehases reguleeritud nii, et see paikneb kuni 1 mm kaugusel tera küljepinnast (lõikeasend).

MÄRKUS: Kui laserikiir näib otsese päikesevalguse tõttu tuhma ja raskesti märgatavana, viige tööala kohta, kus otsest päikesevalgust on vähem.

Laserijoone joondamine

Seadke lõikejoon töödeldaval detailil kohakuti laserijoonega.

► Joon.31

- A) Kui soovite saavutada õiget suurust töödeldava eseme vasakul küljel, nihutage laserijoont terast vasakule.
B) Kui soovite saavutada õiget suurust töödeldava eseme paremal küljel, nihutage laserijoont terast paremale.

KOKKUPANEK

⚠HOIATUS: Kandke alati hoolt selle eest, et tööriist oleks enne selle reguleerimist välja lülitatud ning akukassett eemaldatud. Kui jätate seadme välja lülitamata või aku eemaldamata, võib see lõppeda tõsise kehavigastusega.

Kuuskantvõtme hoiulepanek

Kuuskantvõtit hoitakse joonisel näidatud kohas. Kui kuuskantvõtit on tarvis, võtke see võtmehoidikust välja. Kuuskantvõtme kasutamise järel pange see tagasi võtmehoidikusse.

► Joon.32: 1. Mutrivõtme hoidik 2. Kuuskantvõti

Saelehe paigaldamine ja eemaldamine

⚠HOIATUS: Veenduge alati enne saeketta paigaldamist või eemaldamist, et tööriist oleks välja lülitatud ja akukassett eemaldatud. Masina juhuslik sisselülitamine võib põhjustada tõsiseid vigastusi.

⚠ETTEVAATUST: Kasutage tera paigaldamiseks ja eemaldamiseks ainult kaasas olevat Makita kuuskantvõtit. Muidu võib kuuskantpesapoldi kinnitus jääda liiga tugevaks või ebapiisavaks. See võib tekitada vigastusi.

Tera eemaldamiseks tehke järgmised toimingud:

1. Vabastage kinnitustihvt ja lukustage seejärel käepide tõstetud asendisse, vajutades kinnitustihvti sisse.
► Joon.33: 1. Kinnitustihvt

2. Keerake keskmist katet kinnihoidev kuuskantpesapolt kuuskantvõtmega vastupäeva lahti. Seejärel tõstke terakaitse ja keskmine kate üles.

► Joon.34: 1. Keskmine kate 2. Kuuskantpesapolt 3. Kuuskantvõti 4. Terakaitse

3. Vajutage vööli lukustamiseks vööliilukku ja keerake kuuskantpesapolt kuuskantvõtmega päripäeva lahti. Seejärel eemaldage spindli kuuskantpesapolt, välimine äärik ja saeketas.

► Joon.35: 1. Vööliiluk 2. Kuuskantpesapolt 3. Välisäärik

4. Kui siseäärik eemaldatakse, paigaldage see spindlile nii, et tera paigaldusosa jääks tera suunas. Ääriku vale paigaldamise korral hakkab see hõõrduma vastu masinat.

► Joon.36: 1. Välisäärik 2. Saetera 3. Siseäärik 4. Kuuskantpesapolt (vasakkeermega) 5. Spindel 6. Tera paigaldamise osa

Tera paigaldamiseks tehke järgmised toimingud:

1. Paigaldage tera ettevaatlikult sisemisele äärikule. Veenduge, et tera pinnal oleva noole suund langeks kokku terakorpusel oleva noole suunaga.
► Joon.37: 1. Saetera 2. Nool

2. Paigaldage välimine äärik ja kuuskantpesapolt ning keerake seejärel spindli kuuskantpesapolt (vasakkeermega) kuuskantvõtmega vastupäeva tugevasti kinni, surudes samal ajal vööliilukku.

3. Viige terakaitse ja keskmine kate tagasi algasendisse. Seejärel keerake keskmise katte kuuskantpesapolti keskmise katte fikseerimiseks päripäeva.

4. Vabastage käepide ülestõstetud asendist, tõmmates kinnitustihvti välja. Langetage käepide, et veenduda terakaitse korralikus liikumises.

5. Enne saagimist veenduge selles, et vööliiluk oleks spindli vabastanud.

Tööriistale, mille siseäärik sobib 15,88 mm ava läbimõõduga saeteraga

Riigile omane

Paigaldage siseäärik paigaldusvõlile, suunates taanduva osa väljapoole, ja asetage siis paika saetera (vajaduse korral kinnitatud rõngaga), välisäärik ja kuuskantpolt.

Rõngata tööriist

► Joon.38: 1. Välisäärik 2. Saetera 3. Siseäärik 4. Kuuskantpesapolt (vasakkeermega) 5. Spindel

Rõngaga tööriist

► Joon.39: 1. Välisäärik 2. Saetera 3. Siseäärik 4. Kuuskantpesapolt (vasakkeermega) 5. Rõngas 6. Spindel

⚠HOIATUS: Kui tera spindlile kinnitamiseks on vajalik rõngas, veenduge alati, et sise- ja välisääriku vahele oleks paigaldatud kasutatava tera vööliavaga kokkusobiv rõngas. Vale vööliava rõnga kasutamine võib kaasa tuua tera vale paigalduse, mis põhjustab saetera lengerdamist ja tugevat vibratsiooni, mis võib omakorda põhjustada kontrolli kaotust tööriista üle ning raskeid kehavigastusi.

Tööriistale, mille siseäärik sobib muu kui 20 mm või 15,88 mm ava läbimõõduga saeteraga

Riigile omane

Siseäärikul on ühel küljel kindla läbimõõduga tera paigaldamise osa ja teisel küljel teistsuguse läbimõõduga tera paigaldamise osa. Valige õige tera paigaldamise osaga pool, mis sobib täpselt saetera avasse.

► Joon.40: 1. Välisäärik 2. Saetera 3. Siseäärik 4. Kuuskantpesapolt (vasakkeermega) 5. Spindel 6. Tera paigaldamise osa

⚠ETTEVAATUST: Veenduge, et siseääriku tera paigaldamise osa „a”, mis asetseb suunaga väljapoole, sobiks täpselt saetera avasse „a”. Tera paigaldamine valele küljele võib põhjustada ohtlikku vibratsiooni.

Tolmukott

Tolmukoti kasutamine muudab saagimise puhtamaks ja kergendab tolmu kogumist.

Tolmukoti paigaldamiseks kinnitage see tolmuotsaku külge. Kui tolmukott on umbes poolenisti täis, eemaldage see tööriista küljest ja tõmmake fiksaator välja. Tühjendage tolmukott, koputage seda kergelt, et eemaldada külgedele kinnitunud osakesed, mis võivad takistada edasist tolmu kogumist.

► **Joon.41:** 1. Tolmukott 2. Tolmuotsak 3. Fiksaator

MÄRKUS: Tolmuimeja ühendamisel saaga saate töötada puhtamalt.

► **Joon.42**

Töödeldava detaili fikseerimine

⚠HOIATUS: Äärmiselt oluline on fikseerida töödeldav detail alati korrektselt kinnitusrakisega. Muidu võib tulemuseks olla tõsine vigastus ja tööriista ja/või töödeldava detaili kahjustamine.

⚠HOIATUS: Sae tugialusest pikema eseme saagimisel tuleb eseme tugialusest üleulatav osa täies pikkuses toetada, tagades sealjuures eseme rõhtsuse samal kõrgusel. Töödeldava eseme korralik toetamine hoiab ära saeketta kiilumise ja võimalikud tagasilöögid, mis võivad kaasa tuua tõsiseid vigastusi. Ärge piirduge töödeldava detaili ainult vertikaalse ja/või horisontaalse kinnitusrakisega fikseerimisega. Õhukesed materjalid kipuvad koolduma. Toestage töödeldav detail terves ulatuses, et vältida tera pitsitamist ja võimalikku TAGASILÖÖKI.

► **Joon.43:** 1. Tugi 2. Eerungiplaat

Vertikaalne kinnitusrakis

⚠HOIATUS: Kinnitage töödeldav detail kõikide töötappide käigus eerungiplaadi ja juhtpiirde külge. Muidu võib materjal lõikamise käigus liikuda, põhjustada terale kahjustusi ja paiskuda eemale, mis võib põhjustada kontrolli kaotamise ja raskeid kehavigastusi.

Paigaldage vertikaalne kinnitusrakis juhtpiirde parem- või vasakpoolsele küljele. Sisestage kinnitusrakise varras juhtpiirdele olevasse avasse ja fikseerige alumise kruviga.

► **Joon.44:** 1. Kinnitusrakise latt 2. Kinnitusrakise nupp 3. Juhtpiire 4. Pöördalus 5. Alumine kruvi 6. Ülemine kruvi 7. Kinnitusrakise varras

Paigutage kinnitusrakise latt, võttes arvesse töödeldava detaili paksust ja kuju, ning fikseerige kinnitusrakise latt, pingutades ülemist kruvi. Kui ülemine kruvi puutub vastu juhtpiirde, paigaldage ülemine kruvi kinnitusrakise lati vastasküljele. Veenduge, et käepideme lõpuni alla langetamisel ei puutuks ükski tööriista osa vastu kinnitusrakist. Kui mõni osa puutub vastu kinnitusrakist, paigutage kinnitusrakise ümber.

Suruge töödeldav detail tasaselt vastu juhtpiirde ja eerungiplaati. Asetage töödeldav detail soovitud lõikeasendisse ja fikseerige, keerates kinnitusrakise nupu tugevasti kinni.

Õlarihma kinnitamine

Lisatarvik

⚠ETTEVAATUST: Ärge unustage õlarihma enne tööriista kasutamist eemaldada. Õlarihm võib takerduda ja põhjustada vigastusi.

⚠ETTEVAATUST: Kinnitage tingimata õlarihma konksud kindlalt tööriista külge. Kui konksud ei ole korralikult kinnitatud, võivad need lahti tulla ja põhjustada vigastusi.

Õlarihma abil saab tööriista mugavalt transportida. Kinnitage õlarihma konksud tööriista külge, nagu on joonisel näidatud.

► **Joon.45:** 1. Õlarihm 2. Konks

TÖÖRIISTA KASUTAMINE

⚠HOIATUS: Veenduge, et tera ei puutuks enne tööriista sisselülitamist vastu töödeldavat detaili jne. Masina sisselülitamine juhul, kui saeketas on töödeldava esemega kokkupuutes, võib põhjustada tagasilööke ja tõsiseid vigastusi.

⚠HOIATUS: Saeketast ei tohi pärast saagimist tõsta üles enne, kui see on täielikult seiskunud. Pöörleva saeketta ülestõstmine võib põhjustada tõsiseid vigastusi ja kahjustada töödeldavat eset.

TÄHELEPANU: Enne kasutamist vabastage kindlasti käepide langetatud asendist, tõmmates kinnitustihvti välja.

TÄHELEPANU: Ärge avaldage käepidemele lõikamisel liigset survet. Ülemäärane surve võib põhjustada mootori ülekoormust ja/või vähendada lõikamise tõhusust. Suruge käepide alla ainult sujuva lõikamise tagamiseks tarviliku jõuga ja nii, et tera kiirus oluliselt ei väheneks.

TÄHELEPANU: Lõikamiseks vajutage käepide õrnalt alla. Kui käepidet suruda liiga tugevasti või külgsuunalist jõudu rakendades, võib tera hakata vibreerima ja jätta töödeldavale detailile takke (saetakke) ning lõike täpsus väheneb.

Presslõikamine (väikeste detailide lõikamine)

► **Joon.46**

Kuni 46 mm kõrguseid ja 92 mm lauseid detaile saab saagida järgneval viisil.

1. Kinnitage töödeldav detail kinnitusrakisega.
2. Lülitage tööriist sisse ja jälgige, et lõiketera ei puutuks kuskile vastu, ja enne langetamist oodake, kuni lõiketera saavutab täiskiruse.
3. Detaili lõikamiseks lükake käepide ettevaatlikult kõige alumisse asendisse.
4. Kui lõige on tehtud, lülitage tööriist välja ja oodake tera täieliku peatumiseni, enne kui viite selle tagasi ülestõstetud asendisse.

Kaldlõikamine

Juhinduge eespool toodud lõigust „Eerunginurga reguleerimine”.

Fassettlõikamine

⚠HOIATUS: Kui olete tera fassettlõikamiseks seadistanud, veenduge enne tööriista kasutamist, et saepea ja tera liikumisteed on oleks kogu kavandatava löike ulatuses vaba. Saepea või tera liikumise katkestamine lõikamise käigus võib põhjustada ootamatu tagasilöögi, mis võib kaasa tuua tõsise vigastuse.

⚠HOIATUS: Hoidke käed faasisaagimise ajal saeketta teelt eemal. Saeketta nurk võib saeketta tege-likku teekonda saagimise käigus kasutaja eest varjata, kokkupuude saekettaga põhjustab tõsise vigastuse.

⚠HOIATUS: Saeketat ei tohiks tõsta enne selle täielikku seiskumist. Faasisaagimise käigus võib maha saetud klots jääda toetuma vastu saeketta külge. Kui saeketas tõstetakse üles enne selle seiskumist, võib ketas haarata klotsi kaasa ja paisata eemale, purustades selle ning tekitades tõsiste vigastuste ohu.

⚠HOIATUS: Fassettlõikamise korral eemaldage alati alltõkis. Muidu võib tagajärjeks olla tõsine vigastus.

▶ Joon.47

1. Keerake hoob lahti ja kallutage soovitud kaldenurga seadmiseks saetera (juhinduge eespool toodud lõigust „Kaldenurga reguleerimine”). Kindlasti kinnitage hoob korralikult, et kaldenurk turvaliselt fikseerida.
2. Fikseerige töödeldav detail kinnitusrakise abil.
3. Lülitage masin sisse ja jälgige, et saeketas ei puutuks kuskile vastu, ja oodake, kuni saeketas saavutab täiskiiruse.
4. Töödeldava detaili lõikamiseks langetage käepide ettevaatlikult madalaimasse asendisse, avaldades samal ajal teraga paralleelset survet.
5. Kui lõige on tehtud, lülitage tööriist välja ja oodake tera täieliku peatumiseni, enne kui viite selle tagasi ülestõstetud asendisse.

TÄHELEPANU: Käepideme allavajutamisel avaldage saekettaga paralleelset survet. Kui eerungiplaadile püstjalt survet avaldada või kui surve suunda saagimise ajal muuta, siis väheneb saagimise täpsus.

Liitlõikamine

Liitlõikamine kujutab endast töödeldava detaili samaaegset kaldlõikamist ja eerunginurga lõikamist. Liitsaagimist saab teha tabelis näidatud nurga all.

Eerunginurk	Fassettnurk
Vasak ja parem 45°	Vasak ja parem 0° - 45°
Paremal 52°	Vasakul 20°, paremal 45°
Vasakul 52°	Vasakul 45°, paremal 20°

Liitlõike tegemisel juhinduge lõikudest „Presslõikamine”, „Kaldlõikamine” ja „Fassettlõikamine”.

Alumiiniumprofiilide lõikamine

- ▶ **Joon.48:** 1. Kinnitusrakis 2. Vaheklots 3. Juhtpiire 4. Alumiiniumprofiil 5. Vaheklots

Alumiiniumprofiilide kinnitamisel kasutage puidust klotse või puidujääke, nagu on näidatud joonisel, et vältida alumiiniumi deformeerumist. Alumiiniumi lõikamisel kasutage määrdeaineid, et vältida alumiiniumipuru kogunemist terale.

⚠ETTEVAATUST: Ärge üritage saagida pakse ega ümaraid alumiiniumprofiile. Paksud alumiiniumprofiilid võivad lõikamise ajal lahti pääseda ja ümaraid profiile ei saa selle tööriistaga korralikult fikseerida.

Võrdsete pikkuste lõikamine

Kui on vaja lõigata mitu ühesuguse pikkusega tükki vahemikus 200 mm kuni 330 mm, saab töö lihtsustamiseks kasutada paigaldusplaati (lisatarvik). Paigaldage paigaldusplaat hoidikule (lisatarvik), nagu on joonisel näidatud.

- ▶ **Joon.49:** 1. Paigaldusplaat 2. Hoidik 3. Kruvi

Seadke lõikejoon lõigataval detailil kohakuti otsamis- laua vasak- või parempoolse külje soonega ning töödeldavat detaili hoides pange paigaldusplaat tasaselt vastu töödeldava detaili otsa. Seejärel keerake paigaldusplaat kruviga kinni.

Kui paigaldusplaat pole kasutusel, keerake kruvi lahti ja pöörake paigaldusplaat eest ära.

Tööriista kandmine

⚠HOIATUS: Lukustustihvt on mõeldud üksnes kandmise ja hoiustamise lihtsustamiseks. Selle kasutamine saagimistöde ajal on keelatud.

Lukustustihvti kasutamine saagimistöde ajal võib kaasa tuua saeketta ootamatu nihkumise, põhjustades tagasilöögi ja tõsise vigastuse.

⚠ETTEVAATUST: Enne tööriista kandmist fikseerige alati kõik liikuvad osad. Kui tööriista osad kandmise ajal liiguvad, võib see kaasa tuua tasakaalu kaotuse ja põhjustada vigastuse.

1. Eemaldage akukasett.
2. Seadke saeketta faasinurgaks 0° ja pöörake eerungialuse parempoolsesse eerunginurga asendisse. ▶ **Joon.50:** 1. Pöördalus
3. Langetage käepide madalaimasse asendisse ja selle lukustamiseks langetatud asendis vajutage sisse kinnustihvt.
4. Kandke tööriista käepidemest hoides. ▶ **Joon.51**

HOOLDUS

⚠HOIATUS: Parima lõikamistulemuse ja ohutuma töö huvides veenduge alati, et tera oleks terav ja puhas. Nüri ja/või määratud saekettaga saagimine võib kaasa tuua tagasilööke ning põhjustada tõsiseid vigastusi.

⚠ETTEVAATUST: Enne kontroll- või hooldustoimingute tegemist kandke alati hoolt selle eest, et tööriist oleks välja lülitatud ja akukassett koruse küljest eemaldatud.

TÄHELEPANU: Ärge kunagi kasutage bensiini, vedelidit, alkoholi ega midagi muud sarnast. Selle tulemuseks võib olla luitumine, deformatsioon või pragunemine.

Toote OHUTUSE ja TÖÖKINDLUSE tagamiseks tuleb vajalikud remonttööd ning muud hooldus- ja reguleerimistööd lasta teha Makita volitatud teeninduskeskustes või tehase teeninduskeskustes. Alati tuleb kasutada Makita varuosi.

Lõikenurga reguleerimine

See tööriist on tehases hoolikalt reguleeritud ja joondatud, kuid rohmakas käsitsemine võib olla seadistusi mõjutanud. Kui tööriist pole korralikult joondatud, siis toimige järgmiselt:

Eerunginurk

1. Lõdvendage kinnituskruvi vastupäeva.
2. Keerake eerungiplaati, kuni osuti näitab eerungiskaalal väärtusele 0°.
▶ **Joon.52:** 1. Kinnituskruvi 2. Pöördalus 3. Eerungiskaala 4. Osuti
3. Keerake eerungiplaati pisut päripäeva ja vastupäeva, et seada eerungiplaat 0° eerungisälku. (Kui osuti ei näita 0°, siis jätke nii, nagu on.)
4. Keerake juhtpiiret kinnihoidev kuuskantpesapolt kuuskantvõtmega lahti.
▶ **Joon.53:** 1. Juhtpiire 2. Kuuskantpesapolt
▶ **Joon.54:** 1. Juhtpiire 2. Kuuskantpesapolt
5. Langetage käepide madalaimasse asendisse ja selle lukustamiseks langetatud asendis vajutage sisse kinnitustihvt.
6. Kasutage juhtpiire reguleerimiseks kolmnurk-joonlauda, vinklit vms, kuni see on teraga risti. Seejärel keerake kindlalt kinni juhtpiirede kuuskantpesapolt.
▶ **Joon.55:** 1. Juhtpiire 2. Kolmnurkjoonlaud 3. Saetera
7. Veenduge, et osuti näitaks eerungiskaalal 0°. Kui osuti ei näita 0°, siis keerake osutit kinnihoidev kruvi lahti ja reguleerige osutit nii, et see näitaks 0°.
▶ **Joon.56:** 1. kruvi 2. Eerungiskaala 3. Osuti

Fassettnurk

0° kaldenurk

1. Langetage käepide madalaimasse asendisse ja selle lukustamiseks langetatud asendis vajutage sisse kinnitustihvt.
2. Keerake tööriista tagaosas asuv hoob lahti.
3. Keerake saepea parempoolisel küljel olevat 0° kaldenurga reguleerimispoliti kaks või kolm täispöört vastupäeva, et kallutada tera paremale.
▶ **Joon.57:** 1. Reguleerimispolit 2. Hoob
4. Keerake 0° kaldenurga reguleerimispoliti hoolikalt päripäeva, kuni tera külg moodustab täisnurga eerungiplaadi pealmise pinnaga. Kasutage juhisenäht kolmnurkset joonlauda, vinklit vms. Seejärel keerake hoob korralikult kinni.
▶ **Joon.58:** 1. Kolmnurkjoonlaud 2. Saetera 3. Eerungiplaadi pealmine pind
5. Veenduge, et lati osuti näitaks kaldenurga skaalal 0°. Kui see ei näita 0°, siis keerake osutit kinnihoidev kruvi lahti ja reguleerige osutit nii, et see näitaks 0°.
▶ **Joon.59:** 1. Kruvi 2. Osuti 3. Kaldenurga skaala

45° kaldenurk

Reguleerige 45° kaldenurka alles pärast 0° kaldenurga reguleerimist.

1. Vabastage hoob ja kallutage tera lõpuni vasakule.
2. Veenduge, et lati osuti näitaks kaldenurga skaalal 45°. Kui osuti ei näita 45°, keerake lati parempoolisel küljel olevat vasaku 45° kaldenurga reguleerimispoliti, kuni osuti näitab 45°.
▶ **Joon.60:** 1. Parema 45° kaldenurga reguleerimispolit 2. Osuti 3. Vasaku 45° kaldenurga reguleerimispolit
3. Kallutage tera täielikult paremale ja seejärel reguleerige paremat 45° kaldenurka, kasutades parema 45° kaldenurga reguleerimispoliti.
▶ **Joon.61:** 1. Saetera 2. Kolmnurk-joonlaud

Laserijooone asendi reguleerimine

⚠HOIATUS: Akukassett peab laserijooone reguleerimise ajal olema tööriista külge paigaldatud. Olge eriti tähelepanelik, et te reguleerimise ajal tööriista sisse ei lülitate. Tööriista juhuslik käivitamine võib põhjustada tõsiseid vigastusi.

⚠ETTEVAATUST: Ärge kunagi vaadake otse laserikiire sisse. Laserikiire sattumine otse silma võib põhjustada tõsiseid nägemiskahjustusi.

TÄHELEPANU: Kontrollige regulaarselt laserijooone asendi täpsust.

TÄHELEPANU: Vältige tööriista põrutamist. See võib nihutada laserijooone valesse või kahjustada laserit, lühendades selle tööiga.

TÄHELEPANU: Laseriseadme rikke korral laske masinat parandada volitatud Makita teeninduskeskuses.

Laserijooone liigutatav ulatus on määratud mõlemal küljel asuvate ulatuse reguleerimise kruvidega. Laserijooone muutmiseks tegutsege järgmiselt.

1. Eemaldage akukassett.
 2. Tõmmake töödeldavale materjalile lõikejoon ning asetage materjal pöördalusele. Selles faasis ärge töödeldavat materjali veel kinnitusrakise ega muu sarnase kinnitusseadmega fikseerige.
 3. Langetage käepide ja joondage lõikejoon saeteraga.
► **Joon.62:** 1. Lõikejoon
 4. Viige käepide tagasi algasendisse ja kinnitage töödeldav ese vertikaalse kinnitusrakisega selliselt, et töödeldav ese ei liiguks teie määratud asendist ära.
► **Joon.63:** 1. Kinnitusrakis
 5. Paigaldage akukassett tööriista külge ja lülitage laseri lüliti sisse.
 6. Lõdvendage reguleerimiskruvi. Laserijooone terast eemale viimiseks keerake ulatuse reguleerimise kruvisid vastupäeva. Laserijooone terale lähemale viimiseks keerake ulatuse reguleerimise kruvisid päripäeva.
- Laserijooone reguleerimine tera vasakul küljel**
► **Joon.64:** 1. Reguleerimiskruvi 2. Ulatuse reguleerimise kruvi 3. Kuuskantvõti 4. Laserijoon 5. Saetera

Laserijooone reguleerimine saetera paremal küljel
► **Joon.65:** 1. Ulatuse reguleerimise kruvi 2. Kuuskantvõti 3. Laserijoon 4. Saetera

7. Libistage reguleerimiskruvi asendisse, kus laserijoon on kohakuti lõikejoonega, ja pingutage seejärel.

MÄRKUS: Laserijooone liikumisulatus on tehases reguleeritud tera külgpinnast kuni 1 mm kaugusele.

Laseri läätse puhastamine

Laseri läätse määrdumisel muutub laserikiir halvasti nähtavaks. Puhastage laseri läätse regulaarselt. Eemaldage akukassett. Lõdvendage kruvi ja tõmmake lääts välja. Puhastage läätse õrnalt niiske pehme lapiga.

- **Joon.66:** 1. Kruvi
► **Joon.67:** 1. Lääts

TÄHELEPANU: Ärge eemaldage kruvi, mis läätse kinni hoiab. Kui lääts ei tule välja, lõdvendage kruvi mõnevõrra veel.

TÄHELEPANU: Ärge kasutage lambiklaasi puhastamiseks lahusteid ega naftapõhiseid puhastusaineid.

Pärast kasutamist

Pärast kasutamist pühkige tööriistale kogunenud laastud ja tolm riidelapi vms-ga ära. Hoidke terakaitse lõigus „Terakaitse” toodud juhtnõre järgides puhtana. Rooste vältimiseks määrige tööriista libisevaid detaile masinaõliga.

VALIKULISED TARVIKUD

⚠️HOIATUS: Need Makita lisatarvikud on mõeldud kasutamiseks koos juhendis käsitletava Makita tööriistaga. Muude lisatarvikute kasutamine võib lõppeda tõsise vigastusega.

⚠️HOIATUS: Kasutage Makita lisatarvikuid ainult otstarbekohaselt. Lisatarviku väärkasutamine võib lõppeda tõsise vigastusega.

Saate vajaduse korral kohalikust Makita teeninduskeskusest lisateavet nende tarvikute kohta.

- Karbiidotsaga saeterad
- Hoidiku-vardamoodul
- Paigaldusplaat
- Õlarihm
- Makita algupärane aku ja laadija

MÄRKUS: Mõned nimekirjas loetletud tarvikud võivad kuuluda standardvarustusse ning need on lisatud tööriista pakendisse. Need võivad riigiti erineda.

ТЕХНИЧЕСКИЕ ХАРАКТЕРИСТИКИ

Модель:	DLS600
Диаметр диска	165 мм
Диам. отверстия (под шпindelь)	20 мм
Макс. угол резки	влево 52°, вправо 52°
Макс. угол скоса	Влево 45° (46° при использовании рычага разблокировки), Вправо 45° (46° при использовании рычага разблокировки)
Число оборотов без нагрузки	5 000 мин ⁻¹
Тип лазера	Красный лазер 650 нм, максимальная мощность < 1,6 мВт (лазер класса 2М)
Размеры (Д x Ш x В)	340 мм x 400 мм x 440 мм
Номинальное напряжение	18 В пост. тока
Стандартный блок аккумулятора	BL1815N / BL1820 / BL1820B / BL1830 / BL1830B / BL1840 / BL1840B / BL1850 / BL1850B / BL1860B
Зарядное устройство	DC18RC / DC18RD / DC18SD / DC18SE / DC18SF
Масса нетто	6,3 - 6,6 кг





Максимальные размеры распиливаемой детали (В x Ш) с диском 165 мм

Угол резки	Угол скоса		
	45° (влево)	0°	45° (вправо)
0°	30 мм x 92 мм	46 мм x 92 мм	15 мм x 92 мм
45° (влево и вправо)	30 мм x 65 мм	46 мм x 65 мм	15 мм x 65 мм

- Благодаря нашей постоянно действующей программе исследований и разработок указанные здесь технические характеристики могут быть изменены без предварительного уведомления.
- Технические характеристики и аккумуляторный блок могут отличаться в зависимости от страны.
- Масса может отличаться в зависимости от дополнительного оборудования. Обратите внимание, что блок аккумулятора также считается дополнительным оборудованием. В таблице представлены комбинации с наибольшим и наименьшим весом в соответствии с процедурой EPTA 01/2014.

СИМВОЛЫ

Ниже приведены символы, используемые для оборудования. Перед использованием убедитесь, что вы понимаете их значение.

	Прочитайте руководство по эксплуатации.
	Для предотвращения травм от разлетающихся осколков после распиливания держите головку пилы опущенной вниз до тех пор, пока полотно не остановится полностью.
	Держите руки и пальцы на расстоянии от полотна.
	Запрещается смотреть на лазерный луч. Прямое лазерное излучение может повредить зрение.



Только для стран ЕС
Не выбрасывайте электрооборудование или аккумуляторы вместе с бытовым мусором!
В соответствии с европейскими директивами об утилизации электрического и электронного оборудования, о батареях и аккумуляторах, а также использованных батареях и аккумуляторах и их применении в соответствии с местными законами электрооборудование, батареи и аккумуляторы, срок эксплуатации которых истек, должны утилизироваться отдельно и передаваться для утилизации на предприятие, соответствующее применяемым правилам охраны окружающей среды.

Назначение

Данный инструмент предназначен для точного распиливания деревянных деталей под прямым углом и под другими углами.
Используйте пилу только для резки древесины, алюминия или подобных материалов.

Шум

Типичный уровень взвешенного звукового давления (A), измеренный в соответствии с EN62841: 90 дБ (A)
Уровень звукового давления (L_{pA}): 90 дБ (A)
Уровень звуковой мощности (L_{WA}): 97 дБ (A)
Погрешность (K): 3 дБ (A)

▲ ОСТОРОЖНО: Используйте средства защиты слуха.

Вибрация

Суммарное значение вибрации (сумма векторов по трем осям), определенное в соответствии с EN62841:
Распространение вибрации (a_h): 2,5 м/с² или менее
Погрешность (K): 1,5 м/с²

ПРИМЕЧАНИЕ: Заявленное значение распространения вибрации измерено в соответствии со стандартной методикой испытаний и может быть использовано для сравнения инструментов.

ПРИМЕЧАНИЕ: Заявленное значение распространения вибрации можно также использовать для предварительных оценок воздействия.

▲ ОСТОРОЖНО: Распространение вибрации во время фактического использования электроинструмента может отличаться от заявленного значения в зависимости от способа применения инструмента.

▲ ОСТОРОЖНО: Обязательно определите меры безопасности для защиты оператора, основанные на оценке воздействия в реальных условиях использования (с учетом всех этапов рабочего цикла, таких как выключение инструмента, работа без нагрузки и включение).

Декларация о соответствии ЕС

Только для европейских стран

Декларация о соответствии ЕС включена в руководство по эксплуатации (Приложение А).

МЕРЫ БЕЗОПАСНОСТИ

Общие рекомендации по технике безопасности для электроинструментов

▲ ОСТОРОЖНО: Ознакомьтесь со всеми представленными инструкциями по технике безопасности, указаниями, иллюстрациями и техническими характеристиками, прилагаемыми к данному электроинструменту. Несоблюдение каких-либо инструкций, указанных ниже, может привести к поражению электрическим током, пожару и/или серьезной травме.

Сохраните брошюру с инструкциями и рекомендациями для дальнейшего использования.

Термин "электроинструмент" в предупреждениях относится ко всему инструменту, работающему от сети (с проводом) или на аккумуляторах (без провода).

Инструкции по технике безопасности для торцовочных пил

1. Торцовочные пилы предназначены для распиливания дерева или древесноподобных изделий и не предназначены для работы с абразивными отрезными дисками для резания изделий из черного металла, таких как брусья, прутья, стержни и т.п. Абразивный порошок приводит к заклиниванию нижнего щитка. Искры от абразивной резки обжигают нижний щиток, вставную режущую пластину и другие пластиковые компоненты.
2. По возможности используйте тиски для закрепления детали. Если вы держите распиливаемую деталь в руках, то следите, чтобы они были на расстоянии не менее 100 мм с каждой стороны от пильного диска. Не используйте эту пилу для распиливания деталей, которые в силу их малых размеров невозможно надежно закрепить в тисках или удержать руками. Близкое положение рук по отношению к пильному диску повышает риск получения травмы от контакта с диском.
3. Распиливаемую деталь необходимо прочно закрепить или крепко неподвижно держать по отношению к ограде и столу. Не подавайте деталь на пильный диск и не выполняйте каких-либо действий одними руками. Незакрепленные и подвижные детали могут быть отброшены диском, вращающимся с высокой частотой, что может привести к травмам.
4. Никогда не оставляйте руку на намеченной линии распила ни за, ни перед пильным диском. Удерживание детали "крест-накрест", т.е. левой рукой с правой стороны или наоборот крайне опасно.

► Рис.1

5. Не заносите руку за ограду на расстояние менее 100 мм от каждой стороны пильного диска для того чтобы убрать опилки, или по любой другой причине, пока диск вращается. Вы можете неправильно оценить близость вращающегося пильного диска по отношению к вашей руке, и это может стать причиной серьезной травмы.
6. Перед распиливанием осмотрите деталь. Если деталь изогнута или перекручена, зажмите ее внешней изогнутой стороной к ограде. Убедитесь, что вдоль линии распила между деталью, оградой и столом нет зазоров. Изогнутые или перекрученные детали могут выкручиваться и смещаться, что приводит к заклиниванию пильного диска во время резания. В детали не должно быть гвоздей и других посторонних предметов.

7. **Перед использованием пилы уберите со стола все инструменты, опилки и т.п. Оставьте только деталь.** Мелкий мусор и частички дерева или другие предметы при контакте с вращающимся диском могут быть отброшены на высокой скорости.
8. **За один раз возможно распиливание только одной детали.** Детали, сложенные в стопку, невозможно закрепить должным образом, и они могут застрять на диске или смещаться по ходу резания.
9. **Перед использованием торцовочной пилы убедитесь, что она установлена на твердой ровной поверхности.** Твердая и ровная поверхность исключает риск дестабилизации торцовочной пилы.
10. **Составьте план работы.** Каждый раз, изменяя угол скоса или торца, убеждайтесь в правильной установке ограды для поддержки детали, при которой она не будет мешать пильному диску и защитной системе. Не включая инструмент и без детали на столе, проведите пильный диск вдоль намеченной линии распила, чтобы убедиться в отсутствии преград и риска повреждения ограды.
11. **Обеспечьте надежную поддержку в виде удлинителя стола, козел и т.п. для детали, которая шире или длиннее поверхности стола.** Детали, которые длиннее или шире торцовочной пилы, без надежной опоры могут опрокидываться. При опрокидывании обрезков или детали возможно отбрасывание от вращающегося диска или поднятие нижнего щитка.
12. **Не просите других людей поддержать детали.** Неустойчивая опора детали может привести к застреванию диска или смещению детали во время резания, что притянет вас и вашего помощника к вращающемуся диску.
13. **Обрезок не должен быть каким-либо образом зажат или прижат к вращающемуся пильному диску.** Если обрезок привязан упором для установки длины, то он может быть заклинен на диске и с силой отброшен.
14. **Используйте тиски или специальную подставку для обеспечения должной опоры круглым деталям, таким как прутья или трубки.** Путья могут скатываться во время разрезания, из-за чего диск оставляет зацепы и притягивает их вместе с рукой к себе.
15. **Перед тем как опустить диск на деталь, дождитесь, чтобы он набрал полную скорость вращения.** Эта мера позволит избежать риска отбрасывания детали.
16. **Если деталь или диск застревает, выключите торцовочную пилу.** Дождитесь полной остановки всех подвижных деталей и отключите инструмент от источника питания и/или извлеките аккумулятор. Затем приступайте к извлечению застрявшего материала. Если продолжить распиливание застрявшей детали, может произойти потеря управления или может быть нанесен вред торцовочной пиле.
17. **По завершении распиливания выключите устройство, приведите головку пилу в нижнее положение и дождитесь остановки вращения диска, прежде чем забирать обрезок.** Подносить руку к диску, вращающемуся по инерции, опасно.
18. **При выполнении неполного распила или при выключении устройства крепко держите рукоятку, пока головка пилы не опустится.** Торможение пилы может привести к резкому опусканию головки, что, в свою очередь, может привести к травмам.
19. **Разрешается использовать только пильные диски с диаметром, соответствующим указанному на инструменте или в руководстве.** Применение диска неверного размера может препятствовать надлежащей защите диска или мешать работе защитного кожуха, что, в свою очередь, может стать причиной серьезных травм.
20. **Используйте только пильные диски, маркировка максимальной скорости которых равна или выше скорости, указанной на инструменте.**
21. **Используйте пилу только для резки древесины, алюминия или подобных материалов.**
22. **(Только для европейских стран) Используйте диски, соответствующие EN847-1.**

Дополнительные инструкции

1. **Ограничьте доступ детей к мастерской с помощью замка.**
2. **Не становитесь ногами на инструмент.** Опрокидывание инструмента или непреднамеренный контакт с режущим узлом могут привести к серьезным травмам.
3. **Никогда не оставляйте работающий инструмент без присмотра.** Выключайте питание. Не отходите от инструмента до его полной остановки.
4. **Не эксплуатируйте пилу без установленных ограждений.** Перед каждым использованием проверяйте ограждение полотна. Не эксплуатируйте пилу, если ограждение полотна не перемещается свободно и мгновенно не закрывается. Запрещается фиксировать или привязывать ограждение в открытом положении.
5. **Держите руки на расстоянии от направления движения пильного диска.** Избегайте контакта с любым диском, вращающимся по инерции. Он все еще может причинить серьезные травмы.
6. **Перед переноской инструмента обязательно закрепите все подвижные части.**
7. **Стопорный штифт, блокирующий шпиндельную головку, предназначен только для переноски и хранения, а не для каких-либо операций резки.**
8. **Перед эксплуатацией тщательно осмотрите диск и убедитесь в отсутствии трещин или повреждений.** Немедленно замените треснувший или поврежденный диск. Смола и древесный пек, затвердевшие на пильных дисках, снижают производительность пилы и повышают потенциальный риск отдачи. Содержите пилу в чистоте. Для этого снимайте ее с инструмента и очищайте растворителем смолы и древесного пека, горячей водой или керосином. Не используйте бензин для очистки диска.
9. **Пользуйтесь только фланцами, предназначенными для данного инструмента.**
10. **Следите за тем, чтобы не повредить шпиндель, фланцы (особенно монтажную поверхность) или болт.** Повреждение этих деталей может привести к поломке диска.

Важные правила техники безопасности для работы с аккумуляторным блоком

11. Убедитесь в прочном креплении поворотного основания и в его неподвижности во время выполнения работ. С помощью отверстий в основании прикрепите пилу к устойчивой рабочей поверхности или верстаке. НИКОГДА не используйте инструмент в неудобном для оператора положении.
12. Перед включением выключателя убедитесь в том, что блокировка вала снята.
13. Следите за тем, чтобы диск не касался поворотного основания в самом нижнем положении.
14. Крепко держите ручку. Помните, что во время запуска и остановки пила немного движется вверх или вниз.
15. Перед включением убедитесь в том, что полотно не касается обрабатываемой детали.
16. Перед использованием инструмента на детали дайте ему немного поработать вхолостую. Убедитесь в отсутствии вибрации или биения, которые могут свидетельствовать о неправильной установке или дисбалансе лезвия.
17. Немедленно прекратите работу, если вы заметили какие-либо отклонения.
18. Не пытайтесь заблокировать триггерный переключатель во включенном положении.
19. Обязательно используйте принадлежности, рекомендованные в данном руководстве. Использование несоответствующих принадлежностей, таких как, например, абразивные круги, может привести к травме.
20. Некоторые материалы могут содержать токсичные химические вещества. Примите соответствующие меры предосторожности, чтобы избежать вдыхания или контакта с кожей таких веществ. Соблюдайте требования, указанные в паспорте безопасности материала.

Дополнительные правила техники безопасности для лазера

1. **ЛАЗЕРНОЕ ИЗЛУЧЕНИЕ, НЕ СМОТРЕТЬ НА ЛУЧ ИЛИ ЧЕРЕЗ ОПТИЧЕСКИЕ ПРИБОРЫ, ЛАЗЕРНОЕ УСТРОЙСТВО КЛАССА 2М.**

СОХРАНИТЕ ДАННЫЕ ИНСТРУКЦИИ.

⚠ОСТОРОЖНО: НЕ ДОПУСКАЙТЕ, чтобы удобство или опыт эксплуатации данного устройства (полученный от многократного использования) доминировали над строгим соблюдением правил техники безопасности при обращении с этим устройством. **НЕПРАВИЛЬНОЕ ИСПОЛЬЗОВАНИЕ** инструмента или несоблюдение правил техники безопасности, указанных в данном руководстве, может привести к тяжелой травме.

1. Перед использованием аккумуляторного блока прочитайте все инструкции и предупредительные надписи на (1) зарядном устройстве, (2) аккумуляторном блоке и (3) инструменте, работающем от аккумуляторного блока.
2. Не разбирайте аккумуляторный блок.
3. Если время работы аккумуляторного блока значительно сократилось, немедленно прекратите работу. В противном случае, может возникнуть перегрев блока, что приведет к ожогам и даже к взрыву.
4. В случае попадания электролита в глаза промойте их обильным количеством чистой воды и немедленно обратитесь к врачу. Это может привести к потере зрения.
5. Не замыкайте контакты аккумуляторного блока между собой:
 - (1) Не прикасайтесь к контактам какими-либо токопроводящими предметами.
 - (2) Не храните аккумуляторный блок в кейсе вместе с другими металлическими предметами, такими как гвозди, монеты и т. п.
 - (3) Не допускайте попадания на аккумуляторный блок воды или дождя.Замыкание контактов аккумуляторного блока между собой может привести к возникновению большого тока, перегреву, возможному ожогу и даже поломке блока.
6. Не храните инструмент и аккумуляторный блок в местах, где температура может достигать или превышать 50 °C (122 °F).
7. Не бросайте аккумуляторный блок в огонь, даже если он сильно поврежден или полностью вышел из строя. Аккумуляторный блок может взорваться под действием огня.
8. Не роняйте и не ударяйте аккумуляторный блок.
9. Не используйте поврежденный аккумуляторный блок.
10. Входящие в комплект литий-ионные аккумуляторы должны эксплуатироваться в соответствии с требованиями законодательства об опасных товарах. При коммерческой транспортировке, например, третьей стороной или экспедитором, необходимо нанести на упаковку специальные предупреждения и маркировку. В процессе подготовки устройства к отправке обязательно проконсультируйтесь со специалистом по опасным материалам. Также соблюдайте местные требования и нормы. Они могут быть строже. Закройте или закрепите разомкнутые контакты и упакуйте аккумулятор так, чтобы он не перемещался по упаковке.

11. Выполняйте требования местного законодательства относительно утилизации аккумуляторного блока.

СОХРАНИТЕ ДАННЫЕ ИНСТРУКЦИИ.

ВНИМАНИЕ: Используйте только фирменные аккумуляторные батареи Makita.

Использование аккумуляторных батарей, не произведенных Makita, или батарей, которые были подвергнуты модификациям, может привести к взрыву аккумулятора, пожару, травмам и повреждению имущества. Это также автоматически аннулирует гарантию Makita на инструмент и зарядное устройство Makita.

Советы по обеспечению максимального срока службы аккумулятора

1. Заряжайте блок аккумуляторов перед его полной разрядкой. Обязательно прекратите работу с инструментом и зарядите блок аккумуляторов, если вы заметили снижение мощности инструмента.
2. Никогда не подзаряжайте полностью заряженный блок аккумуляторов. Перезарядка сокращает срок службы аккумулятора.
3. Заряжайте блок аккумуляторов при комнатной температуре в 10 - 40 °C (50 - 104 °F). Перед зарядкой горячего блока аккумуляторов дайте ему остыть.
4. Зарядите ионно-литиевый аккумуляторный блок, если вы не будете пользоваться инструментом длительное время (более шести месяцев).

ОПИСАНИЕ ДЕТАЛЕЙ

► Рис.2

1	Кнопка разблокировки	2	Триггерный переключатель	3	Рукоятка	4	Корпус диска
5	Диск	6	Ограждение диска	7	Вспомогательная линейка	8	Маленькая вспомогательная линейка
9	Основание	10	Поворотное основание	11	Направляющая линейка	12	Вертикальные тиски
13	Пылесборный мешок	14	Пылесборный патрубок	15	Центральная крышка	-	-

► Рис.3

16	Лампа	17	Блок аккумулятора	18	Шестигранный ключ	19	Рычаг разблокировки
20	Рычаг (для регулировки угла скоса)	21	Планка для пропилов	22	Регулировочный болт нижнего ограничения	23	Выключатель лампы
24	Выключатель лазера	-	-	-	-	-	-

УСТАНОВКА

Установка на верстак

ОСТОРОЖНО: Убедитесь, что инструмент не перемещается на опорной поверхности. Перемещение торцовочной пилы на опорной поверхности во время резки может привести к потере контроля над инструментом и получению тяжелой травмы.

1. Зафиксируйте основание на ровной и надежной поверхности при помощи двух болтов. Это поможет предотвратить опрокидывание и возможные травмы.

► Рис.4: 1. Болт

ОПИСАНИЕ РАБОТЫ

⚠ ОСТОРОЖНО: Перед регулировкой или проверкой функций инструмента обязательно убедитесь, что он выключен и его аккумуляторный блок снят. Несоблюдение этого требования может стать причиной тяжелой травмы из-за случайного включения инструмента.

Установка или снятие блока аккумуляторов

⚠ ВНИМАНИЕ: Обязательно выключайте инструмент перед установкой и извлечением аккумуляторного блока.

⚠ ВНИМАНИЕ: При установке и извлечении аккумуляторного блока крепко удерживайте инструмент и аккумуляторный блок. Если не соблюдать это требование, они могут выскользнуть из рук, что приведет к повреждению инструмента, аккумуляторного блока и травмированию оператора.

► **Рис.5:** 1. Красный индикатор 2. Кнопка 3. Блок аккумулятора

Для снятия аккумуляторного блока нажмите кнопку на лицевой стороне и извлеките блок.

Для установки аккумуляторного блока совместите выступ аккумуляторного блока с пазом в корпусе и задвиньте его на место. Устанавливайте блок до упора так, чтобы он зафиксировался на месте с небольшим щелчком. Если вы можете видеть красный индикатор на верхней части клавиши, адаптер аккумулятора не полностью установлен на месте.

⚠ ВНИМАНИЕ: Обязательно устанавливайте аккумуляторный блок до конца, чтобы красный индикатор не был виден. В противном случае аккумуляторный блок может выпасть из инструмента и нанести травму вам или другим людям.

⚠ ВНИМАНИЕ: Не прилагайте чрезмерных усилий при установке аккумуляторного блока. Если блок не двигается свободно, значит он вставлен неправильно.

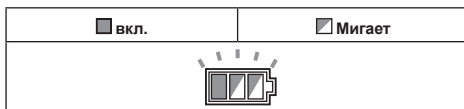
Система защиты инструмента/ аккумулятора

На инструменте предусмотрена система защиты инструмента/аккумулятора. Она автоматически отключает питание двигателя для продления срока службы инструмента и аккумулятора. Инструмент автоматически остановится во время работы в следующих случаях:

Защита от перегрузки

Если из-за способа эксплуатации инструмент потребляет очень большое количество тока, он автоматически остановится без включения каких-либо индикаторов. В этом случае выключите инструмент и прекратите работу, повлекшую перегрузку инструмента. Затем включите инструмент для перезапуска.

Защита от перегрева



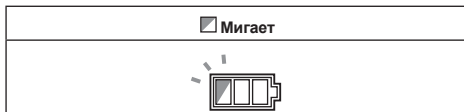
При перегреве инструмент автоматически останавливается, а индикатор аккумулятора мигает около 60 секунд. В таком случае дайте инструменту остыть перед повторным включением.

Защита от переразрядки

При истощении заряда аккумулятора инструмент автоматически останавливается. Если устройство не работает даже после нажатия переключателей, снимите аккумуляторы с инструмента и зарядите их.

Отмена блокировки защитной системой

Если защитная система постоянно срабатывает, инструмент блокируется и индикатор аккумулятора мигает.



В этом случае переведите переключатель в положение выключения и устраните причину срабатывания защитной системы, затем снова переведите переключатель в положение включения. Если инструмент не работает после повторного включения переключателя, снимите блок аккумулятора и зарядите его.

Индикация оставшегося заряда аккумулятора

► **Рис.6:** 1. Индикатор аккумулятора

При нажатии триггерного переключателя индикатор аккумулятора отображает оставшуюся емкость аккумулятора.

Состояние индикатора аккумуляторной батареи			Уровень заряда аккумулятора
Вкл.	Выкл.	Мигает	
			от 50% до 100%
			от 20% до 50%
			от 0% до 20%
			Зарядите аккумулятор

Индикация оставшегося заряда аккумулятора

Только для блоков аккумулятора с индикатором

► Рис.7: 1. Индикаторы 2. Кнопка проверки

Нажмите кнопку проверки на аккумуляторном блоке для проверки заряда. Индикаторы загорятся на несколько секунд.

Индикаторы			Уровень заряда
Горит	Выкл.	Мигает	
■	□	▧	от 75 до 100%
■	■	■	от 50 до 75%
■	■	□	от 25 до 50%
■	□	□	от 0 до 25%
▧	□	□	Зарядите аккумуляторную батарею.
■	■	□	Возможно, аккумуляторная батарея неисправна.
□	□	■	

ПРИМЕЧАНИЕ: В зависимости от условий эксплуатации и температуры окружающего воздуха индикация может незначительно отличаться от фактического значения.

Функция автоматического изменения скорости

► Рис.8: 1. Индикатор режима

Состояние индикатора режима	Режим работы
	Режим высокой скорости
	Режим высокого крутящего момента

В данном инструменте предусмотрен "режим высокой скорости" и "режим высокого крутящего момента". Он автоматически меняет режим работы в зависимости от нагрузки. Если во время работы включается индикатор режима, инструмент находится в режиме высокого крутящего момента.

Стопорный штифт

ВНИМАНИЕ: Обязательно держите ручку при разблокировке стопорного штифта. В противном случае, резкое движение ручки вверх может привести к травме.

Извлеките стопорный штифт, для чего слегка нажмите на рукоятку, а затем вытяните стопорный штифт.

► Рис.9: 1. Стопорный штифт

Ограждение диска

ОСТОРОЖНО: Запрещается ломать или снимать ограждение режущего диска или пружину, соединенную с ограждением. Открытый диск, в случае поломки ограждения, может стать причиной тяжелых травм во время работы.

ОСТОРОЖНО: Запрещается пользоваться инструментом, если ограждение диска или пружина повреждены, неисправны или сняты. Эксплуатация инструмента с поврежденным, неисправным или снятым ограждением может привести к тяжелой травме.

ВНИМАНИЕ: В целях безопасности обязательно поддерживайте ограждение диска в хорошем состоянии. Немедленно прекратите работу при наличии любых неисправностей ограждения диска. Убедитесь в возвратном действии ограждения под нагрузкой пружины.

► Рис.10: 1. Ограждение диска

При опускании ручки ограждение режущего диска поднимается автоматически. Ограждение подпружинено, поэтому после окончания распиливания и подъема ручки оно возвращается в исходное положение.

Очистка.

► Рис.11: 1. Ограждение диска

При загрязнении прозрачного ограждения диска или налипании на него стружки, когда диск и/или обрабатываемую деталь больше не видно, извлеките аккумуляторный блок и тщательно очистите ограждение влажной тряпкой. Для очистки пластикового ограждения не используйте растворители или какие бы то ни было очистители на основе нефти. Они могут повредить ограждение.

Для очистки поднимите ограждение диска в соответствии с инструкциями раздела "Установка и снятие дисковой пыли".

После очистки обязательно верните диск и центральную крышку в первоначальное положение и затяните болт с внутренним шестигранником.

1. Убедитесь, что устройство выключено, а аккумуляторные блоки извлечены.
2. Поверните болт с внутренним шестигранником против часовой стрелки, используя имеющийся шестигранный ключ и удерживая центральную крышку.
3. Поднимите ограждение диска и центральную крышку.
4. По окончании очистки верните центральную крышку в исходное положение и затяните болт с внутренним шестигранником, выполняя указанные выше шаги в обратной последовательности.

ОСТОРОЖНО: Не снимайте пружину крепления ограждения диска. При повреждении ограждения со временем или под воздействием ультрафиолетовых лучей свяжитесь с сервисным центром компании Makita, чтобы получить новое ограждение. **НЕ ЛОМАЙТЕ И НЕ СНИМАЙТЕ ОГРАЖДЕНИЕ.**

Расположение планки для пропилов

Данный инструмент оборудован планками для пропилов в поворотном основании для уменьшения разрыва на выходной стороне распила. Планки для пропилов отрегулированы на предприятии-изготовителе таким образом, что пильный диск не касается планок для пропилов. Перед использованием планок для пропилов отрегулируйте их следующим образом.

1. Обязательно снимите аккумуляторный блок. Ослабьте все винты (по 2 с левой и правой стороны) фиксации планок для пропилов.

► **Рис.12:** 1. Планка для пропилов 2. Винт

2. Затяните винты так, чтобы планки для пропилов можно было легко перемещать рукой.

3. Полностью опустите ручку и нажмите на стопорный штифт, чтобы зафиксировать ее в опущенном положении.

4. Отрегулируйте положение планок для пропилов так, чтобы они слегка касались боковых сторон зубьев диска.

► **Рис.13**

► **Рис.14:** 1. Дисковая пила 2. Зубья диска
3. Планка для пропилов 4. Резка со скосом влево 5. Прямая резка

5. Затяните винты (не затягивайте их сильно).

6. После регулировки планок для пропилов отпустите стопорный штифт и поднимите рукоятку. Затем крепко затяните все винты.

ПРИМЕЧАНИЕ: Установив угол скоса, убедитесь в правильной регулировке планок для пропилов. Правильная регулировка планок для пропилов помогает добиться надлежащей опоры для заготовки, сводя к минимуму вероятность ее срыва с крепления.

Обеспечение максимальной режущей способности

Данный инструмент отрегулирован на заводе таким образом, чтобы обеспечить максимальную режущую способность 165 мм для дисковой пилы.

При установке нового диска всегда проверяйте нижнее предельное положение диска. При необходимости, выполните регулировку следующим образом.

1. Снимите блок аккумулятора. Полностью опустите рукоятку.

2. Вращайте регулировочный болт нижнего ограничения при помощи шестигранного ключа, пока пильный диск не будет находиться немного под сечением направляющей линейки и верхней поверхности поворотного основания.

► **Рис.15:** 1. Регулировочный болт

► **Рис.16:** 1. Направляющая линейка

3. Поворачивайте диск рукой, нажимая на рукоятку до конца, чтобы убедиться в том, что диск не касается какой-либо части нижнего основания. При необходимости выполните повторную точную регулировку.

▲ОСТОРОЖНО: После установки новой дисковой пилы (при извлеченном аккумуляторном боке) обязательно проверьте, не соприкасается ли пила с какой-либо частью нижнего основания при полностью опущенной ручке. Задвигание диска основания может стать причиной отдачи и тяжелых травм.

► **Рис.17**

Вспомогательное ограждение

В зависимости от страны

Данный инструмент оборудован вспомогательной линейкой, а также маленькими вспомогательными линейками.

Вспомогательная линейка

▲ОСТОРОЖНО: При выполнении резки со скосом всегда снимайте вспомогательную линейку. Несоблюдение этого требования может привести к серьезной травме.

► **Рис.18:** 1. Вспомогательная линейка

При резке, за исключением резки со скосом, используйте вспомогательную линейку для поддержки детали.

Маленькая вспомогательная линейка

▲ВНИМАНИЕ: При резке со скосом вправо складывайте небольшие вспомогательные линейки. В противном случае они могут задеть диск или другие части инструмента и привести к тяжелой травме оператора.

► **Рис.19:** 1. Маленькая вспомогательная линейка
2. Шкала

При вертикальной резке или резке со скосом влево направьте их вверх для поддержки детали. На направляющей линейке расположена шкала с интервалом 10 мм.

Регулировка угла резки

► **Рис.20:** 1. Зажимной винт 2. Поворотное основание 3. Шкала угла резки 4. Указатель

1. Ослабьте зажимной винт, повернув его против часовой стрелки.

2. Отрегулируйте угол поворотного основания. В качестве вспомогательных средств используйте указатель и шкалу угла резки.

3. Плотно затяните зажимной винт по часовой стрелке.

▲ВНИМАНИЕ: После изменения угла резки обязательно закрепите поворотное основание, крепко затянув зажимной винт.

ПРИМЕЧАНИЕ: При повороте основания обязательно полностью поднимите рукоятку.

Регулировка угла скоса

Для регулировки угла скоса поверните рычаг в нижней части инструмента вниз.

► **Рис.21:** 1. Рычаг

Для наклона диска влево удерживайте ручку и наклоните головку пилы. В качестве вспомогательных средств используйте шкалу угла сноса и указатель. Затем с усилием поверните рычаг вверх для надежной фиксации головки пилы.

► **Рис.22:** 1. Указатель 2. Шкала угла сноса

Для наклона диска вправо, удерживая ручку, немного наклоните головку пилы влево и нажмите кнопку разблокировки. Удерживая кнопку блокировки в нажатом состоянии, наклоните пильный диск вправо. Поверните рычаг вверх с усилием для надежной фиксации головки пилы.

► **Рис.23:** 1. Кнопка разблокировки

ВНИМАНИЕ: После изменения угла сноса всегда закрепляйте головку пилы, поворачивая рычаг вверх с усилием.

ПРИМЕЧАНИЕ: При наклоне диска пилы полностью поднимайте ручку.

ПРИМЕЧАНИЕ: При изменении углов сноса обязательно устанавливайте планки для пропилов в надлежащее положение согласно разделу "Расположение планки для пропилов".

Задание угла скоса 46°

1. Ослабьте рычаг и наклоните диск влево или вправо до упора.

► **Рис.24:** 1. Рычаг

2. Для наклона диска влево, удерживая ручку, немного наклоните головку пилы вправо, затем переместите рычаг разблокировки в направлении стрелки. Угол сноса можно установить в пределах от 45° до 46°, наклонив головку пилы и одновременно переместив рычаг разблокировки.

Для наклона диска вправо, удерживая ручку, немного наклоните головку пилы влево, затем переместите рычаг разблокировки в направлении стрелки. Угол сноса можно установить в пределах от 45° до 46°, наклонив головку пилы и одновременно переместив рычаг разблокировки.

► **Рис.25:** 1. Рычаг 2. Рычаг разблокировки

3. Поверните рычаг вверх с усилием для надежной фиксации головки пилы.

Регулировка положения рычага

Если рычаг не обеспечивает полного натяжения по прошествии определенного времени, измените его положение. Шаг изменения положения рычага составляет 30°.

Ослабьте и снимите винт фиксации рычага. Снимите рычаг и установите его снова, чтобы он указывал немного выше горизонтального уровня. Крепко затяните рычаг винтом.

► **Рис.26:** 1. Рычаг 2. Винт

Действие выключателя

ОСТОРОЖНО: Перед установкой аккумуляторного блока в инструмент обязательно убедитесь, что его триггерный переключатель нормально работает и возвращается в положение "OFF" (ВЫКЛ) при отпускании. Эксплуатация инструмента с неисправным выключателем может привести к потере контроля над инструментом и получению тяжелой травмы.

ОСТОРОЖНО: ЗАПРЕЩАЕТСЯ эксплуатировать инструмент с неисправным триггерным переключателем. Инструмент с неисправным триггерным переключателем КРАЙНЕ ОПАСЕН, перед дальнейшим использованием его необходимо отремонтировать. В противном случае можно получить тяжелую травму.

ОСТОРОЖНО: Для обеспечения вашей безопасности данный инструмент оборудован кнопкой разблокировки, которая предотвращает непреднамеренное включение инструмента. ЗАПРЕЩАЕТСЯ использовать инструмент, когда он работает при простом нажатии на триггерный переключатель без нажатия на кнопку разблокировки. Требующий ремонта инструмент может случайно включиться и причинить тяжелую травму. Верните инструмент в сервисный центр Makita для надлежащего ремонта ДО продолжения его эксплуатации.

ОСТОРОЖНО: ЗАПРЕЩАЕТСЯ нарушать работу кнопки разблокировки, заклеивая ее скотчем или другими способами. Выключатель с неработающей кнопкой разблокировки может стать причиной случайного включения и причинения тяжелой травмы.

ПРИМЕЧАНИЕ: Не нажимайте сильно на триггерный переключатель без нажатия на кнопку разблокировки. Это может привести к поломке переключателя.

Для предотвращения непреднамеренного включения триггерного переключателя имеется кнопка разблокировки. Для включения инструмента нажмите на кнопку разблокировки, а затем на триггерный переключатель. Отпустите триггерный переключатель для останова.

► **Рис.27:** 1. Кнопка разблокировки 2. Отверстие для навесного замка 3. Триггерный переключатель

Включение лампы

⚠ВНИМАНИЕ: Данная лампа не является водонепроницаемой. Не промывайте лампу в воде и не пользуйтесь ей во время дождя или во влажном месте. Несоблюдение этой рекомендации может привести к поражению электрическим током и появлению дыма.

⚠ВНИМАНИЕ: Не касайтесь линзы лампы, так как она сильно нагревается при работе и остается нагретой в течение некоторого времени после отключения. Это может привести к ожогам кожи.

⚠ВНИМАНИЕ: Не подвергайте лампу ударам, это может привести к повреждению или уменьшению срока службы лампы.

⚠ВНИМАНИЕ: Не направляйте луч лампы в глаза. Это может привести к травме глаз.

⚠ВНИМАНИЕ: Не накрывайте лампу тканью, картоном, плотной бумагой или подобными предметами, когда она горит, потому что это может привести к пожару или возгоранию.

⚠ВНИМАНИЕ: Не смотрите непосредственно на свет или источник света.

Чтобы включить лампу, нажмите выключатель в верхней части (I). Чтобы выключить лампу, нажмите выключатель в нижней части (O).

► **Рис.28:** 1. Лампа 2. Выключатель лампы

ПРИМЕЧАНИЕ: Для удаления пыли с линзы лампы используйте сухую ткань. Не допускайте возникновения царапин на линзе лампы, так как это приведет к снижению освещенности.

ПРИМЕЧАНИЕ: Убедитесь, что выключатель находится в положении выключения, поскольку в положении включения потребляется энергия аккумулятора.

Действие лазерного луча

⚠ВНИМАНИЕ: Запрещается смотреть на лазерный луч. Прямой лазерный луч может вызвать повреждение глаз.

Чтобы включить лазерный луч, нажмите на верхнюю часть (I) переключателя. Чтобы выключить лазерный луч, нажмите на нижнюю часть переключателя (O).

► **Рис.29:** 1. Выключатель лазера

ПРИМЕЧАНИЕ: Убедитесь, что выключатель находится в положении выключения, поскольку в положении включения потребляется энергия аккумулятора.

Линию лазера можно смещать либо на левую, либо на правую сторону пильного диска с помощью регулировочного винта следующим образом.

► **Рис.30:** 1. Регулировочный винт

1. Ослабьте регулировочный винт, повернув его против часовой стрелки.
2. Ослабив регулировочный винт, сдвиньте регулировочный винт вправо или влево до упора.
3. Крепко затяните регулировочный винт в крайнем положении сдвига.

ПРИМЕЧАНИЕ: Лазерная линия регулируется на заводе, поэтому она располагается в пределах 1 мм от боковой поверхности диска (положение резки).

ПРИМЕЧАНИЕ: Если лазерный луч плохо видно из-за яркого солнца, сдвиньте рабочее место туда, где солнце не такое яркое.

Регулировка лазерной линии

Совместите линию резки на обрабатываемой детали с лазерной линией.

► **Рис.31**

A) Если необходимо скорректировать размер на левой части детали, переместите лазерную линию на левую часть диска.

B) Если необходимо скорректировать размер на правой части детали, переместите лазерную линию на правую часть диска.

СБОРКА

⚠ОСТОРОЖНО: Перед выполнением каких-либо работ на инструменте обязательно убедитесь, что он выключен, а аккумуляторный блок извлечен. Несоблюдение этого требования может стать причиной тяжелой травмы.

Хранение шестигранного ключа

Шестигранный ключ хранится как показано на рисунке. Когда ключ потребуются, его можно извлечь из держателя.

После использования ключ можно установить в держатель для хранения.

► **Рис.32:** 1. Держатель ключа 2. Шестигранный ключ

Установка или снятие пильного диска

⚠ОСТОРОЖНО: Перед установкой или снятием диска обязательно убедитесь, что инструмент выключен, а аккумуляторный блок извлечен. Случайное включение инструмента может привести к тяжелым травмам.

⚠ВНИМАНИЕ: Для установки или снятия диска пользуйтесь только шестигранным ключом Makita. В противном случае, затяжка болта с внутренним шестигранником может быть слишком сильной или слабой. Это может привести к травме.

Чтобы снять диск, выполните следующие действия.

1. Отпустите стопорный штифт, затем заблокируйте рукоятку в поднятом положении, нажав на стопорный штифт.

► **Рис.33:** 1. Стопорный штифт

2. Ослабьте болт с внутренним шестигранником, поворачивая его против часовой стрелки при помощи шестигранного ключа и удерживая при этом центральную крышку. Затем поднимите ограждение диска и центральную крышку.

► **Рис.34:** 1. Центральная крышка 2. Болт с внутренним шестигранником 3. Шестигранный ключ 4. Ограждение диска

3. Нажмите на кнопку фиксации вала, чтобы заблокировать шпиндель, и при помощи шестигранного ключа ослабьте болт с внутренним шестигранником, повернув его по часовой стрелке. Затем снимите болт крепления шпинделя с внутренним шестигранником, а также внешний фланец и диск.

► **Рис.35:** 1. Фиксатор вала 2. Болт с внутренним шестигранником 3. Наружный фланец

4. При снятии внутреннего фланца обязательно установите его на шпиндель таким образом, чтобы компонент для установки диска был направлен к диску. Если фланец установлен неправильно, он будет задевать инструмент.

► **Рис.36:** 1. Наружный фланец 2. Пильный диск 3. Внутренний фланец 4. Болт с внутренним шестигранником (с левой резьбой) 5. Шпиндель 6. Компонент для установки диска

Чтобы установить диск, выполните следующие действия.

1. Аккуратно установите диск на внутренний фланец. Убедитесь, что направление стрелки на диске совпадает с направлением стрелки на корпусе диска.

► **Рис.37:** 1. Пильный диск 2. Стрелка

2. Установите внешний фланец и болт с внутренним шестигранником, а затем хорошо затяните болт (с левой резьбой) крепления шпинделя, поворачивая его против часовой стрелки при помощи шестигранного ключа, одновременно нажимая стопор вала.

3. Возвратите ограждение диска и центральную крышку в первоначальное положение. Затем затяните болт крепления центральной крышки с внутренним шестигранником, поворачивая его по часовой стрелке для фиксации крышки.

4. Отпустите рукоятку из верхнего положения, потянув за стопорный штифт. Опустите рукоятку, чтобы убедиться в надлежащем перемещении ограждения диска.

5. Перед началом работы убедитесь в том, что стопор вала разблокировал шпиндель.

Для инструмента с внутренним фланцем под пильный диск с отверстием диаметром 15,88 мм

В зависимости от страны

Установите внутренний фланец на вал утопленной частью наружу, затем установите пильный диск (при необходимости – с установленным кольцом), внешний фланец и болт с шестигранной головкой.

Для инструмента без кольца

► **Рис.38:** 1. Наружный фланец 2. Пильный диск 3. Внутренний фланец 4. Болт с внутренним шестигранником (с левой резьбой) 5. Шпиндель

Для инструмента с кольцом

► **Рис.39:** 1. Наружный фланец 2. Пильный диск 3. Внутренний фланец 4. Болт с внутренним шестигранником (с левой резьбой) 5. Кольцо 6. Шпиндель

▲ОСТОРОЖНО: Перед установкой диска на шпиндель всегда проверяйте, что между внутренним и внешним фланцами установлено кольцо с соответствующим отверстием для того диска, который вы собираетесь использовать. Использование неправильного кольца с отверстием может привести к неправильной установке диска, что вызовет его перемещение и сильную вибрацию, которая может стать причиной потери контроля над инструментом во время работы и причинения тяжелых травм.

Для инструмента с внутренним фланцем под пильный диск с отверстием, диаметр которого не соответствует стандарту в 20 или 15,88 мм.

В зависимости от страны

На одной стороне внутреннего фланца имеется компонент для установки диска диаметром, отличающимся от диаметра соответствующего компонента на противоположной стороне. Правильно выберите сторону, крепежный компонент на которой точно соответствует отверстию на пильном диске.

► **Рис.40:** 1. Наружный фланец 2. Пильный диск 3. Внутренний фланец 4. Болт с внутренним шестигранником (с левой резьбой) 5. Шпиндель 6. Компонент для установки диска

▲ВНИМАНИЕ: Убедитесь, что компонент для установки диска "а" на внутреннем фланце, который выступает наружу, точно входит в отверстие "а" пильного диска. Установка диска неверной стороной может привести к возникновению опасной вибрации.

Пылесборный мешок

Использование пылесборного мешка обеспечивает чистоту при выполнении работ и легкость сбора пыли.

Для крепления мешка наденьте его на пылесборный патрубок.

Когда пылесборный мешок заполнится примерно наполовину, снимите его с инструмента и вытяните зажим. Удалите содержимое пылесборного мешка, слегка ударив по нему, чтобы удалить частицы, прилипшие к внутренней части, которые могут ухудшить дальнейший сбор пыли.

► **Рис.41:** 1. Пылесборный мешок 2. Пылесборный патрубок 3. Зажим

ПРИМЕЧАНИЕ: Подсоединение пылесоса к пиле повышает чистоту операций.

► **Рис.42**

Крепление обрабатываемой детали

▲ОСТОРОЖНО: Очень важно правильно закреплять деталь в тисках. Невыполнение этого требования может привести к тяжелым травмам и повреждению инструмента и/или детали.

▲ОСТОРОЖНО: При отрезании детали, длина которой больше опорного основания пилы, необходимо поддерживать выступающую часть по всей длине и на одном уровне, чтобы деталь была ровной. Надлежащая опора детали поможет предотвратить защемление диска и возможную отдачу, которая может привести к тяжелым травмам. Не полагайтесь исключительно на вертикальные тиски и/или на горизонтальные тиски при креплении обрабатываемой детали. Тонкий материал подвержен прогибам. Обеспечьте опору для обрабатываемой детали по всей ее длине, чтобы избежать защемления диска и возможной ОТДАЧИ.

► **Рис.43:** 1. Опора 2. Поворотное основание

Вертикальные тиски

▲ОСТОРОЖНО: При выполнении всех типов работ прочно закрепляйте обрабатываемую деталь по отношению к поворотному основанию и направляющей линейке с помощью тисков. В противном случае, материал может перемещаться во время пиления, что может привести к повреждению диска, отскоку обрабатываемой детали и, соответственно, к потере контроля и тяжелым травмам.

Вертикальные тиски можно устанавливать на левой или на правой стороне направляющей линейки. Вставьте шток тисков в отверстие направляющей линейки и затяните нижний винт, чтобы зафиксировать шток тисков.

► **Рис.44:** 1. Ручка тисков 2. Головка тисков
3. Направляющая линейка
4. Поворотное основание 5. Нижний винт
6. Верхний винт 7. Стержень тисков

Расположите кронштейн тисков в соответствии с толщиной и формой обрабатываемой детали и закрепите кронштейн тисков, затянув верхний винт. Если верхний винт соприкасается с направляющей линейкой, установите его на противоположной стороне кронштейна тисков. Убедитесь, что никакая часть инструмента не соприкасается с тисками при полном опускании рукоятки. Если какая-либо часть касается тисков, отрегулируйте положение тисков. Прижмите обрабатываемую деталь к направляющей линейке и поворотному основанию. Расположите обрабатываемую деталь в необходимом для распиливания положении и надежно закрепите ее, затянув ручку тисков.

Присоединение плечевого ремня

Дополнительные принадлежности

▲ВНИМАНИЕ: Обязательно удалите плечевой ремень перед использованием инструмента. Плечевой ремень может запутаться, что может привести к травме.

▲ВНИМАНИЕ: Убедитесь, что крючки плечевого ремня надежно закреплены на инструменте. Если крючки закреплены не полностью, это может привести к их отсоединению и стать причиной травмы.

Плечевой ремень удобно использовать для транспортировки инструмента. Закрепите крючки плечевого ремня на инструменте, как показано на рисунке.

► **Рис.45:** 1. Плечевой ремень 2. Крючок

ЭКСПЛУАТАЦИЯ

▲ОСТОРОЖНО: Перед включением выключателя убедитесь, что диск не касается детали. Включение инструмента, когда диск касается детали, может привести к возникновению отдачи и тяжелым травмам.

▲ОСТОРОЖНО: После завершения распиливания не поднимайте диск до тех пор, пока он не остановится полностью. Поднятие вращающегося диска может привести к тяжелым травмам и повреждению детали.

ПРИМЕЧАНИЕ: Перед эксплуатацией обязательно освободите рукоятку из нижнего положения, вытащив стопорный штифт.

ПРИМЕЧАНИЕ: Не оказывайте чрезмерное давление на рукоятку при распиливании. Избыточное усилие может привести к перегрузке двигателя и/или снижению эффективности резки. Нажимайте на рукоятку только с тем усилием, которое необходимо для плавной резки и без значительного снижения скорости диска.

ПРИМЕЧАНИЕ: Осторожно надавите на рукоятку для выполнения распиливания. Если нажать на рукоятку с усилием или приложить боковое усилие, диск будет вибрировать и оставит след (след пилы) на обрабатываемой детали, что может привести к снижению точности распила.

Распил с нажимом (распил небольших деталей)

► Рис.46

Детали высотой до 46 мм и шириной до 92 мм можно распиливать следующим образом.

1. Надежно закрепите обрабатываемую деталь в тисках.
2. Включите инструмент - при этом режущий диск не должен соприкасаться с обрабатываемой деталью - и перед тем, как опустить диск, дождитесь пока он не наберет максимальные обороты.
3. Затем плавно опустите ручку в крайнее нижнее положение, чтобы распилить обрабатываемую деталь.
4. По завершении распиливания выключите инструмент и **дождитесь полного останова режущего диска** перед тем, как перевести его в крайнее верхнее положение.

Резка под углом

См. раздел "Регулировка угла резки" выше.

Резка со скосом

▲ОСТОРОЖНО: После настройки диска для резки со скосом, прежде чем приступить к работе, убедитесь, что головка пилы и диск смогут свободно перемещаться по всей длине предполагаемого разреза. Помехи при движении головки пилы или диска во время распиливания могут привести к возникновению отдачи и тяжелым травмам.

▲ОСТОРОЖНО: При снятии фаски руки оператора не должны находиться на траектории движения диска. Наклон диска может ввести в заблуждение относительно фактической траектории диска во время резания, и контакт с диском приведет к тяжелым травмам.

▲ОСТОРОЖНО: Диск нельзя поднимать до его полного останова. Во время снятия фаски отрезанные части могут попасть под диск. Если поднять вращающийся диск, отрезанная часть детали может быть выброшена с высокой скоростью, материал может разрушиться и причинить тяжелые травмы.

▲ОСТОРОЖНО: При выполнении резки со скосом всегда снимайте вспомогательную линейку. Несоблюдение этого требования может привести к серьезной травме.

► Рис.47

1. Для установки угла скоса кромки ослабьте рычаг и наклоните режущий диск (см. предыдущий раздел "Регулировка угла отрезки"). Для надежной фиксации установленного угла скоса кромки хорошо затяните рычаг.
2. Надежно закрепите обрабатываемую деталь в тисках.

3. Включите инструмент - при этом режущий диск не должен соприкасаться с обрабатываемой деталью - и дождитесь пока он не наберет максимальные обороты.

4. Плавно опустите рукоятку в крайнее нижнее положение, прилагая давление параллельно диску, чтобы распилить деталь.

5. По завершении распиливания выключите инструмент и **дождитесь полного останова режущего диска** перед тем, как перевести его в крайнее верхнее положение.

ПРИМЕЧАНИЕ: При нажатии на рукоятку прикладывайте давление параллельно диску. Если прилагать усилие перпендикулярно поворотному основанию или изменить направление давления во время резки, это приведет к снижению точности.

Сложная резка

Сложная резка представляет собой процесс, при котором резка со скосом применяется одновременно с резкой под углом. Сложную резку можно выполнять под углами, указанными в таблице.

Угол резки	Угол скоса
Влево и вправо 45°	Влево и вправо 0° - 45°
Вправо 52°	Влево 20° - вправо 45°
Влево 52°	Влево 45° - вправо 20°

При выполнении составной резки см. объяснения в разделах "Резка с нажимом", "Резка под углом" и "Резка со скосом".

Резка алюминиевого профиля

- Рис.48: 1. Тиски 2. Распорный блок 3. Направляющая линейка 4. Алюминиевый профиль 5. Распорный блок

При креплении алюминиевого профиля используйте распорные блоки или детали металлолома, как показано на рисунке, чтобы предотвратить деформацию алюминия. При резке алюминиевого профиля используйте смазочное вещество для резки, чтобы предотвратить накопление алюминиевого материала на диске.

▲ВНИМАНИЕ: Никогда не пытайтесь резать толстый или круглый алюминиевый профиль. Крепление толстого алюминиевого профиля при работе может ослабнуть, а круглый алюминиевый профиль невозможно надежно закрепить с помощью данного инструмента.

Резка одинаковой длины

Для повышения эффективности при одновременном распиливании нескольких деталей одинаковой длины от 200 мм до 330 мм используйте установочную пластину (поставляется отдельно). Установите установочную пластину на держатель (дополнительная принадлежность), как показано на рисунке.

- Рис.49: 1. Установочная пластина 2. Держатель 3. Винт

Совместите линию резы на обрабатываемой детали либо с левой, либо с правой стороны паза в планке для пропилов, и, удерживая обрабатываемую деталь, подвиньте установочную пластину до конца обрабатываемой детали. Затем закрепите установочную пластину винтом. Если установочная пластина не используется, ослабьте винт и отведите установочную пластину в сторону.

Переноска инструмента

⚠ ОСТОРОЖНО: Стопорный штифт предназначен только для переноски и хранения инструмента, а не для выполнения каких бы то ни было операций по распиливанию. Использование стопорного штифта для распиливания может вызвать неожиданное перемещение пильного диска, что приведет к отдаче и тяжелым травмам.

⚠ ВНИМАНИЕ: Перед переноской инструмента обязательно закрепите все подвижные части. Если во время переноски какие-либо компоненты инструмента движутся, это может привести к потере контроля над инструментом и травме.

1. Снимите блок аккумуляторной батареи.
2. Зафиксируйте режущий диск с углом фаски 0° и поворотное основание под прямым углом резы.
▶ **Рис.50:** 1. Поворотное основание
3. Полностью опустите ручку и нажмите на стопорный штифт, чтобы зафиксировать ее в опущенном положении.
4. При переноске инструмента удерживайте его за рукоятку.
▶ **Рис.51**

ОБСЛУЖИВАНИЕ

⚠ ОСТОРОЖНО: Всегда следите за заточкой и чистотой диска для обеспечения максимально эффективной и безопасной работы. Использование тупого или загрязненного диска может привести к возникновению отдачи и тяжелым травмам.

⚠ ВНИМАНИЕ: Перед проведением проверки или работ по техобслуживанию всегда проверяйте, что инструмент выключен, а блок аккумуляторов снят.

ПРИМЕЧАНИЕ: Запрещается использовать бензин, растворители, спирт и другие подобные жидкости. Это может привести к обесцвечиванию, деформации и трещинам.

Для обеспечения БЕЗОПАСНОСТИ и НАДЕЖНОСТИ оборудования ремонт, любое другое техобслуживание или регулировку необходимо производить в уполномоченных сервис-центрах Makita или сервис-центрах предприятия с использованием только сменных частей производства Makita.

Регулировка угла резы

Данный инструмент тщательно отрегулирован и выверен на предприятии-изготовителе, но грубая эксплуатация может нарушить регулировку. Если регулировка вашего инструмента нарушена, выполните следующее:

Угол резы

1. Ослабьте зажимной винт, повернув его против часовой стрелки.
2. Поверните основание, чтобы стрелка указывала на 0° на шкале угла резы.
▶ **Рис.52:** 1. Зажимной винт 2. Поворотное основание 3. Шкала угла резы 4. Указатель
3. Затем немного поверните основание по часовой стрелке и против часовой стрелке, чтобы установить его у отметки угла резы 0°. (Оставьте его, как есть, если стрелка не указывает на 0°.)
4. Шестигранным ключом ослабьте болт с внутренним шестигранником, крепящий направляющую линейку.
▶ **Рис.53:** 1. Направляющая линейка 2. Болт с внутренним шестигранником
▶ **Рис.54:** 1. Направляющая линейка 2. Болт с внутренним шестигранником
5. Полностью опустите ручку и нажмите на стопорный штифт, чтобы зафиксировать ее в опущенном положении.
6. При помощи треугольника, плотничного угольника и т. д. выровняйте направляющую линейку таким образом, чтобы она образовывала прямой угол с диском. Затем надежно затяните болт с внутренним шестигранником на направляющей линейке.
▶ **Рис.55:** 1. Направляющая линейка 2. Треугольная линейка 3. Пильный диск
7. Убедитесь, что указатель указывает на 0° на шкале угла резы. Если указатель не указывает на 0°, ослабьте винт его крепления и отрегулируйте таким образом, чтобы он указывал на 0°.
▶ **Рис.56:** 1. Винт 2. Шкала угла резы 3. Указатель

Угол скоса

Угол скоса в 0°

1. Полностью опустите ручку и нажмите на стопорный штифт, чтобы зафиксировать ее в опущенном положении.
2. Ослабьте рычаг, расположенный на задней части инструмента.
3. Поверните регулировочный болт угла скоса в 0° на правой стороне головки пилы на два или три оборота против часовой стрелки, чтобы наклонить диск вправо.
▶ **Рис.57:** 1. Регулировочный болт 2. Рычаг
4. Аккуратно поворачивайте регулировочный болт угла скоса в 0°, пока боковая часть диска не будет перпендикулярна верхней поверхности поворотного основания. Воспользуйтесь треугольной линейкой, угольником и т. п. Затем надежно затяните рычаг.

- **Рис.58:** 1. Треугольная линейка 2. Пильный диск
3. Верхняя поверхность поворотного стола

5. Убедитесь в том, что указатель на рычаге указывает на 0° шкалы угла скоса. Если указатель не указывает на 0°, ослабьте винт его крепления и отрегулируйте таким образом, чтобы он указывал на 0°.

- **Рис.59:** 1. Винт 2. Указатель 3. Шкала угла скоса

Угол скоса в 45°

Выполняйте настройку угла скоса кромки 45° только после настройки угла скоса кромки 0°.

1. Ослабьте рычаг и наклоните пильный диск влево до упора.

2. Убедитесь в том, что указатель на рычаге указывает на 45° шкалы угла скоса. Если указатель не указывает на 45°, поворачивайте регулировочный болт угла скоса влево на 45° с правой стороны кронштейна, пока указатель не будет указывать на 45°.

- **Рис.60:** 1. Регулировочный болт угла скоса вправо на 45° 2. Указатель
3. Регулировочный болт угла скоса влево на 45°

3. Наклоните диск вправо до упора, затем отрегулируйте угол скоса вправо на 45° при помощи регулировочного болта угла скоса вправо на 45°.

- **Рис.61:** 1. Пильный диск 2. Треугольная линейка

Регулировка положения лазерной линии

⚠ ОСТОРОЖНО: При регулировке лазерной линии блок аккумулятора должен быть установлен в инструмент. Ни в коем случае не включайте инструмент во время регулировки. Случайное включение инструмента может привести к тяжелым травмам.

⚠ ВНИМАНИЕ: Запрещается смотреть непосредственно в источник лазерной линии. Воздействие лазерного излучения может вызвать серьезное повреждение глаз.

ПРИМЕЧАНИЕ: Регулярно проверяйте точность положения лазерной линии.

ПРИМЕЧАНИЕ: Не ударяйте по инструменту. Это может изменить направление лазерной линии, повредить лазер и сократить срок его службы.

ПРИМЕЧАНИЕ: В случае любых неисправностей лазерного блока отремонтируйте инструмент в официальном сервисном центре Makita.

Диапазон перемещения лазерной линии определяется винтами регулировки диапазона на обеих сторонах. Для изменения положения лазерной линии выполните следующие процедуры.

1. Снимите блок аккумулятора.
2. Проведите линию резки на обрабатываемой детали и поместите ее на поворотное основание. На данном этапе не закрепляйте обрабатываемую деталь в тисках или подобном крепежном устройстве.

3. Опустите рукоятку и совместите линию резки с пильным диском.

- **Рис.62:** 1. Линия отреза

4. Верните рукоятку в исходное положение и зафиксируйте деталь вертикальными тисками, чтобы она не отклонялась от установленного положения.

- **Рис.63:** 1. Тиски

5. Установите блок аккумулятора в инструмент и включите переключатель лазера.

6. Ослабьте регулировочный винт. Чтобы переместить лазерную линию от диска, поверните винты регулировки диапазона против часовой стрелки. Чтобы переместить лазерную линию к диску, поверните винт регулировки диапазона по часовой стрелке.

Регулировка положения лазерной линии на левой стороне диска

- **Рис.64:** 1. Регулировочный винт 2. Винт регулировки диапазона 3. Шестигранный ключ 4. Лазерная линия 5. Пильный диск

Регулировка положения лазерной линии на правой стороне диска

- **Рис.65:** 1. Винт регулировки диапазона 2. Шестигранный ключ 3. Лазерная линия 4. Пильный диск

7. Переведите регулировочный винт в положение, при котором лазерная линия перемещается к линии резки, и зафиксируйте винт.

ПРИМЕЧАНИЕ: Диапазон перемещения линии лазера настраивается на заводе в пределах 1 мм от боковой поверхности диска.

Очистка линзы лазера

Если линза лазерной лампы загрязнится, трудно будет увидеть лазерную линию. Периодически очищайте линзу лазерной лампы.

Снимите блок аккумулятора. Ослабьте винт и извлеките линзу. Осторожно очистите линзу влажной мягкой тканью.

- **Рис.66:** 1. Винт

- **Рис.67:** 1. Линза

ПРИМЕЧАНИЕ: Не снимайте винт, который фиксирует линзу. Если линза не извлекается, еще немного ослабьте винт.

ПРИМЕЧАНИЕ: Не пользуйтесь растворителями или какими-либо очистителями на основе керосина для очистки линзы.

После использования

После использования инструмента сотрите щепу и пыль, прилипшие к инструменту, с помощью ткани или аналогичных средств. Содержите ограждение диска в чистом виде в соответствии с инструкциями в разделе "Ограждение диска". Смазывайте скользящие части машинным маслом для предотвращения коррозии.

ДОПОЛНИТЕЛЬНЫЕ ПРИНАДЛЕЖНОСТИ

⚠ ОСТОРОЖНО: Данные принадлежности или приспособления рекомендуются для использования с инструментом Makita, указанным в настоящем руководстве. Использование любых других принадлежностей или приспособлений может привести к тяжелым травмам.

⚠ ОСТОРОЖНО: Используйте принадлежности или приспособления Makita только по назначению. Неправильное использование принадлежности или приспособления может привести к тяжелым травмам.

Если вам необходимо содействие в получении дополнительной информации по этим принадлежностям, свяжитесь с вашим сервис-центром Makita.

- Твердосплавные пильные диски
- Блок держателей со стержнями
- Установочная пластина
- Плечевой ремень
- Оригинальный аккумулятор и зарядное устройство Makita

ПРИМЕЧАНИЕ: Некоторые элементы списка могут входить в комплект инструмента в качестве стандартных приспособлений. Они могут отличаться в зависимости от страны.

Makita Europe N.V. Jan-Baptist Vinkstraat 2,
3070 Kortenberg, Belgium

Makita Corporation 3-11-8, Sumiyoshi-cho,
Anjo, Aichi 446-8502 Japan

www.makita.com

885605-980
EN, SV, NO, FI, LV,
LT, ET, RU
20170524