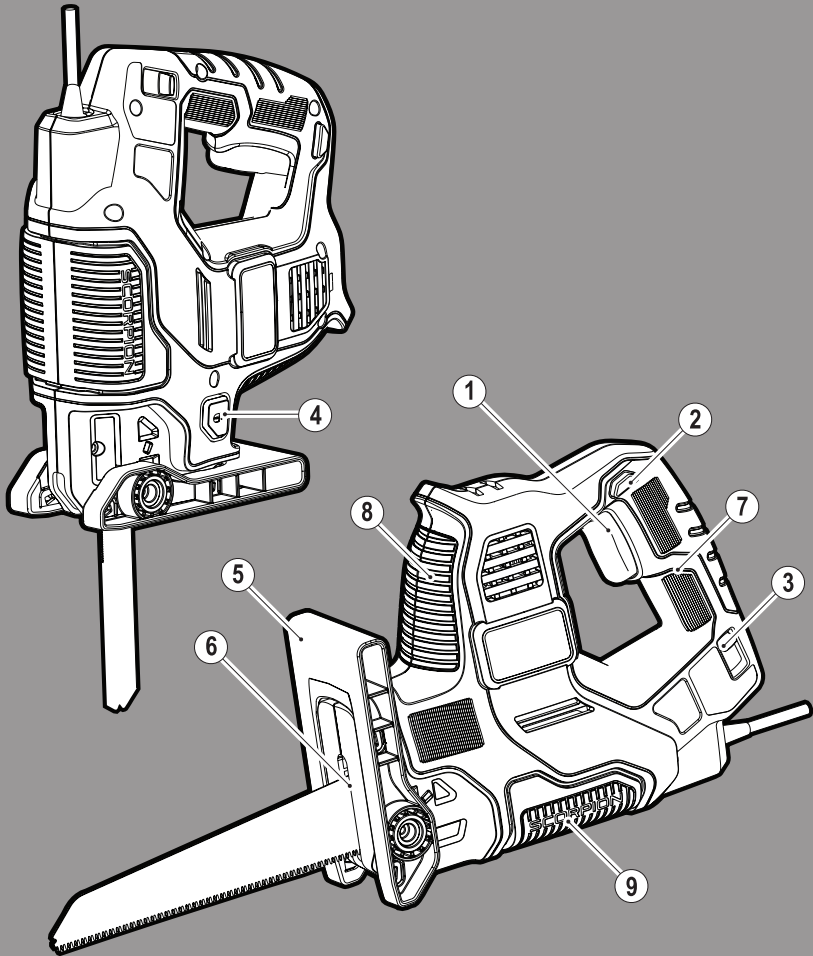




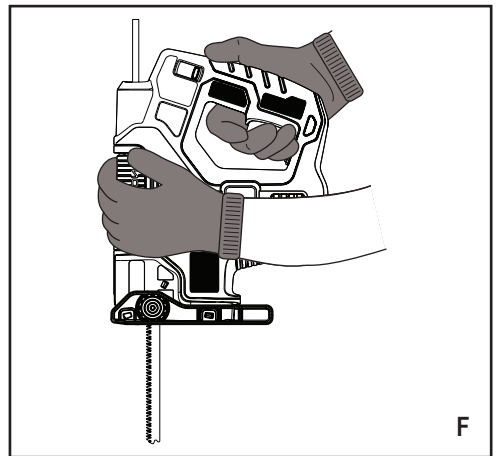
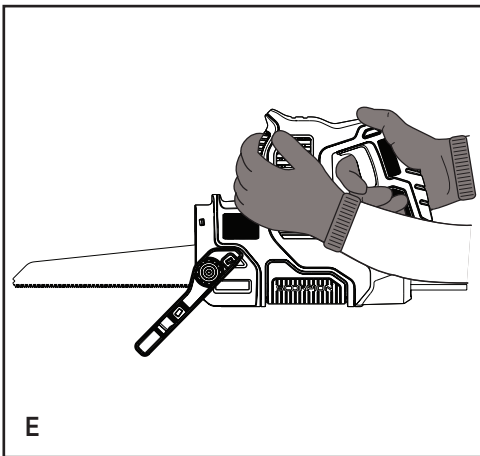
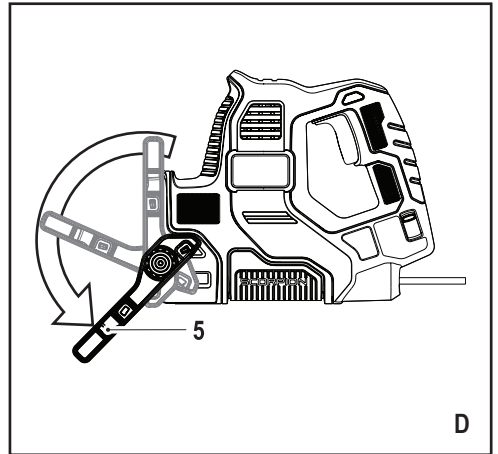
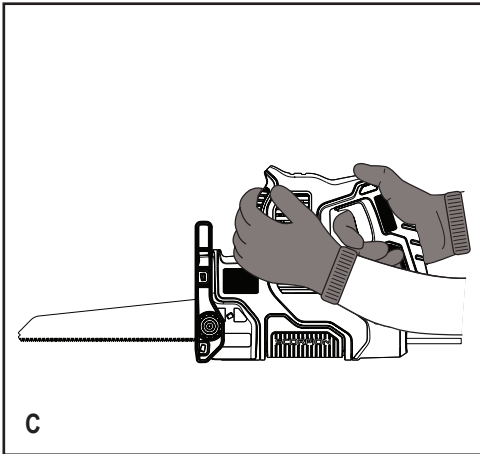
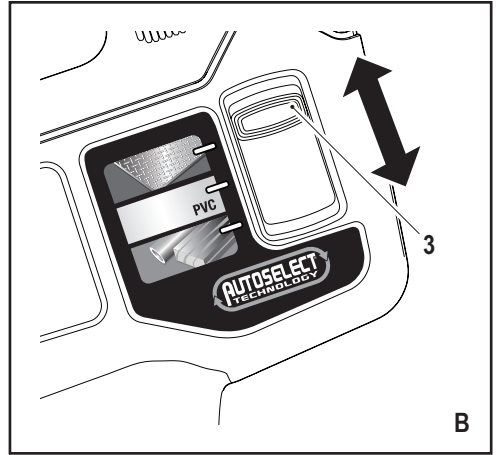
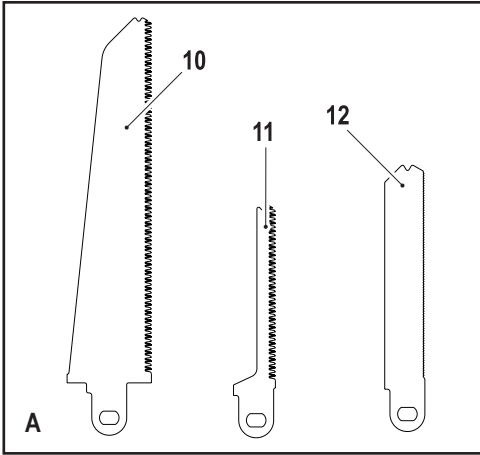
BLACK & DECKER®

EN



www.blackanddecker.co.uk

RS890



Intended use

Your Black & Decker saw has been designed for sawing wood, plastics and metal. This tool is intended for consumer use only.

Safety instructions

General power tool safety warnings



Warning! Read all safety warnings and all instructions. Failure to follow the warnings and instructions listed below may result in electric shock, fire and/or serious injury.

Save all warnings and instructions for future reference.

The term "power tool" in the warnings refers to your mains operated (corded) power tool or battery operated (cordless) power tool.

1. Work area safety

- a. **Keep work area clean and well lit.** Cluttered or dark areas invite accidents.
- b. **Do not operate power tools in explosive atmospheres, such as in the presence of flammable liquids, gases or dust.** Power tools create sparks which may ignite the dust or fumes.
- c. **Keep children and bystanders away while operating a power tool.** Distractions can cause you to lose control.

2. Electrical safety

- a. **Power tool plugs must match the outlet. Never modify the plug in any way. Do not use any adapter plugs with earthed (grounded) power tools.** Unmodified plugs and matching outlets will reduce risk of electric shock.
- b. **Avoid body contact with earthed or grounded surfaces such as pipes, radiators, ranges and refrigerators.** There is an increased risk of electric shock if your body is earthed or grounded.
- c. **Do not expose power tools to rain or wet conditions.** Water entering a power tool will increase the risk of electric shock.
- d. **Do not abuse the cord. Never use the cord for carrying, pulling or unplugging the power tool. Keep cord away from heat, oil, sharp edges or moving parts.** Damaged or entangled cords increase the risk of electric shock.
- e. **When operating a power tool outdoors, use an extension cord suitable for outdoor use.** Use of a cord suitable for outdoor use reduces the risk of electric shock.
- f. **If operating a power tool in a damp location is unavoidable, use a residual current device (RCD) protected supply.** Use of an RCD reduces the risk of electric shock.

3. Personal safety

- a. **Stay alert, watch what you are doing and use common sense when operating a power tool. Do not use a power tool while you are tired or under the influence of drugs, alcohol or medication.** A moment of inattention while operating power tools may result in serious personal injury.
 - b. **Use personal protective equipment. Always wear eye protection.** Protective equipment such as dust mask, non-skid safety shoes, hard hat, or hearing protection used for appropriate conditions will reduce personal injuries.
 - c. **Prevent unintentional starting. Ensure the switch is in the off-position before connecting to power source and/or battery pack, picking up or carrying the tool.** Carrying power tools with your finger on the switch or energising power tools that have the switch on invites accidents.
 - d. **Remove any adjusting key or wrench before turning the power tool on.** A wrench or a key left attached to a rotating part of the power tool may result in personal injury.
 - e. **Do not overreach. Keep proper footing and balance at all times.** This enables better control of the power tool in unexpected situations.
 - f. **Dress properly. Do not wear loose clothing or jewellery. Keep your hair, clothing and gloves away from moving parts.** Loose clothes, jewellery or long hair can be caught in moving parts.
 - g. **If devices are provided for the connection of dust extraction and collection facilities, ensure these are connected and properly used.** Use of dust collection can reduce dust-related hazards.
- #### 4. Power tool use and care
- a. **Do not force the power tool. Use the correct power tool for your application.** The correct power tool will do the job better and safer at the rate for which it was designed.
 - b. **Do not use the power tool if the switch does not turn it on and off.** Any power tool that cannot be controlled with the switch is dangerous and must be repaired.
 - c. **Disconnect the plug from the power source and/or the battery pack from the power tool before making any adjustments, changing accessories, or storing power tools.** Such preventive safety measures reduce the risk of starting the power tool accidentally.
 - d. **Store idle power tools out of the reach of children and do not allow persons unfamiliar with the power tool or these instructions to operate the power tool.** Power tools are dangerous in the hands of untrained users.

- e. **Maintain power tools. Check for misalignment or binding of moving parts, breakage of parts and any other condition that may affect the power tools operation. If damaged, have the power tool repaired before use.** Many accidents are caused by poorly maintained power tools.
 - f. **Keep cutting tools sharp and clean.** Properly maintained cutting tools with sharp cutting edges are less likely to bind and are easier to control.
 - g. **Use the power tool, accessories and tool bits etc. in accordance with these instructions, taking into account the working conditions and the work to be performed.** Use of the power tool for operations different from those intended could result in a hazardous situation.
5. **Service**
- a. **Have your power tool serviced by a qualified repair person using only identical replacement parts.** This will ensure that the safety of the power tool is maintained.



Warning! Additional safety warnings for jigsaws and reciprocating saws

- ◆ **Hold power tool by insulated gripping surfaces when performing an operation where the cutting accessory may contact hidden wiring or its own cord.** Cutting accessory contacting a "live" wire may make exposed metal parts of the power tool "live" and could give the operator an electric shock
- ◆ **Use clamps or another practical way to secure and support the workpiece to a stable platform.** Holding the work by hand or against your body leaves it unstable and may lead to loss of control.



Warning! Contact with or inhalation of dusts arising from cutting applications may endanger the health of the operator and possible bystanders. Wear a dust mask specifically designed for protection against dust and fumes and ensure that persons within or entering the work area are also protected.

- ◆ **Keep hands away from cutting area.** Never reach underneath the work piece for any reason. Do not insert fingers or thumb into the vicinity of the reciprocating blade and blade clamp. Do not stabilise the saw by gripping the shoe.
- ◆ **Keep blades sharp.** Dull or damaged blades may cause the saw to swerve or stall under pressure. Always use the appropriate type of saw blade for the workpiece material and type of cut.
- ◆ When cutting pipe or conduit, make sure that they are free from water, electrical wiring, etc.

- ◆ Do not touch the workpiece or the blade immediately after operating the tool. They can become very hot.
- ◆ Be aware of hidden hazards, before cutting into walls, floors or ceilings, check for the location of wiring and pipes.
- ◆ The blade will continue to move after releasing the switch. Always switch the tool off and wait for the saw blade to come to a complete standstill before putting the tool down.
- ◆ The intended use is described in this instruction manual. The use of any accessory or attachment or performance of any operation with this tool other than those recommended in this instruction manual may present a risk of personal injury and/or damage to property.
- ◆ Do not eat, drink or smoke in the work area.

Pruning

Before attempting to prune a tree, ensure there are not by-laws or regulations that would prohibit or control the felling of the tree.

- ◆ Be aware of the direction a branch may fall. Consider all conditions that may affect the direction of fall, including:
 - ◆ the length and weight of the branch to be cut
 - ◆ the intended direction of fall
 - ◆ any unusual heavy limb structure or decay
 - ◆ the presence of surrounding trees and obstacles,
 - ◆ including overhead lines
 - ◆ the intertwining with other branches
 - ◆ the speed and direction of the wind.
- ◆ Consider access to the tree limb.

Tree branches are liable to swing towards the tree trunk. In addition to the user, any bystander, building or object below the branch is at risk of being struck by the branch.

Safety of others

- ◆ This appliance is not intended for use by persons (including children) with reduced physical, sensory or mental capabilities, or lack of experience and knowledge, unless they have been given supervision or instruction concerning use of the appliance by a person responsible for their safety.
- ◆ Children should be supervised to ensure that they do not play with the appliance.

Residual risks.

Additional residual risks may arise when using the tool which may not be included in the enclosed safety warnings. These risks can arise from misuse, prolonged use etc.

Even with the application of the relevant safety regulations and the implementation of safety devices, certain residual risks can not be avoided. These include:

- ◆ Injuries caused by touching any rotating/moving parts.

- ◆ Injuries caused when changing any parts, blades or accessories.
- ◆ Injuries caused by prolonged use of a tool. When using any tool for prolonged periods ensure you take regular breaks.
- ◆ Impairment of hearing.
- ◆ Health hazards caused by breathing dust developed when using your tool (example:- working with wood, especially oak, beech and MDF.)

Vibration

The declared vibration emission values stated in the technical data and the declaration of conformity have been measured in accordance with a standard test method provided by EN 60745 and may be used for comparing one tool with another. The declared vibration emission value may also be used in a preliminary assessment of exposure.

Warning! The vibration emission value during actual use of the power tool can differ from the declared value depending on the ways in which the tool is used. The vibration level may increase above the level stated.

When assessing vibration exposure to determine safety measures required by 2002/44/EC to protect persons regularly using power tools in employment, an estimation of vibration exposure should consider, the actual conditions of use and the way the tool is used, including taking account of all parts of the operating cycle such as the times when the tool is switched off and when it is running idle in addition to the trigger time.

Labels on tool

The following pictograms are shown on the tool:



Warning! To reduce the risk of injury, the user must read the instruction manual.



Warning! Not a handle. Do not use as a handle.

Electrical safety



This tool is double insulated; therefore no earth wire is required. Always check that the power supply corresponds to the voltage on the rating plate.

- ◆ If the supply cord is damaged, it must be replaced by the manufacturer or an authorised Black & Decker Service Centre in order to avoid a hazard.

Features

This tool includes some or all of the following features.

1. Variable speed switch
2. Lock-off button
3. Autoselect switch
4. Blade release button
5. Shoe / Branch steady
6. Blade clamp
7. Main handle
8. Secondary handle saw mode
9. Secondary handle jig saw mode

Fig. A

10. Large capacity blade
11. Fine tooth wood cutting blade
12. Fine tooth metal cutting blade

Assembly

Warning! Before assembly, make sure that the tool is switched off and unplugged.

Fitting and removing a saw blade

Warning! Take care when handling sharp blades. Always wear gloves when fitting a blade.

Fitting

- ◆ Press in and hold the blade release button (4).
- ◆ Push the blade firmly into the blade clamp (6).
- ◆ Release the blade release button (4).
- ◆ Make sure the blade is securely fitted by trying to remove it without depressing the blade release button (4).

Removing

Warning! The blade can become hot during use. Always wear gloves when removing a blade.

- ◆ Press in and hold the blade release button (4).
- ◆ Pull the blade from the blade clamp (6).
- ◆ Release the blade release button (4).

Use

Warning! Let the tool work at its own pace. Do not overload.

Warning! Before cutting into walls, floors or ceilings, check for the location of wiring and pipes.

Switching on and off

- ◆ To switch the tool on, push the lock-off button (2) into the unlock position and press the variable speed switch (1).
- ◆ To switch the tool off, release the variable speed switch (1).

Autoselect (fig. B)

The Autoselect feature allow you to set the optimum speed of the tool dependant on the material you are cutting.

- ◆ Slide the Autoselect switch (3) to the top position for cutting sheet metal.
- ◆ Slide the Autoselect switch (3) to the middle position for cutting plastic.
- ◆ Slide the Autoselect switch (3) to the bottom position for cutting wood and metal tubing.

Sawing (fig. C)

- ◆ If possible, always hold the tool with both hands using the main handle (7) and secondary handle (8).
- ◆ Let the blade run freely for a few seconds before starting the cut.
- ◆ Apply only a gentle pressure to the tool while performing the cut.
- ◆ Keep the shoe/branch steady (5) pressed firmly against the workpiece.

Pruning branches (fig. D & E)

- ◆ If possible, always hold the tool with both hands using the main handle (7) and secondary handle (8).
- ◆ Rotate the branch steady (5) till it clicks into place.
- ◆ Let the blade run freely for a few seconds before starting the cut.
- ◆ Position the saw so that the blade is above the branch and the branch steady (6) is below the branch.
- ◆ Apply only a gentle pressure to the tool while performing the cut.
- ◆ For proper cutting, the branch being cut should be in contact with both sides of the pruning shoe. The cut should be square to the branch, and not made at an angle. If required a rotating action could be used to further improve the speed of the pruning cut.

Warning! The branch steady (6) is not a handle and should never be used as a handle. Always hold the tool using the main handle (7) and the secondary handle (8 or 9).

Operating in jigsaw mode (fig. F)

- ◆ If possible, always hold the tool with both hands using the main handle (7) and secondary handle (9).
- ◆ Rotate the branch steady (5) till it clicks into place.
- ◆ Fit the required blade.

Hints for optimum use

- ◆ Do not exert too much pressure on the tool.
- ◆ Regularly check the condition of accessories. Replace when necessary.

Sawing wood

- ◆ Clamp the workpiece securely and remove all nails and metal objects.
- ◆ When splintering is to be minimised, e.g. when cutting laminates, clamp a piece of scrap wood or hardboard to both sides of the workpiece and saw through this sandwich.

Sawing metal

- ◆ Be aware that sawing metal takes much more time than sawing wood.
- ◆ Use a saw blade suitable for sawing metal.
- ◆ When cutting thin sheet metal, clamp a piece of scrap wood to the back surface of the workpiece and cut through this sandwich.
- ◆ Spread a film of oil along the intended line of cut.

Cutting branches

- ◆ Cut downward and away from your body.
- ◆ Make the cut close to the main branch or tree body.

Maintenance

Your Black & Decker corded/cordless appliance/tool has been designed to operate over a long period of time with a minimum of maintenance. Continuous satisfactory operation depends upon proper tool care and regular cleaning.

Warning! Before performing any maintenance on corded/cordless power tools:

- ◆ Switch off and unplug the appliance/tool.
- ◆ Or switch off and remove the battery from the appliance/tool if the appliance/tool has a separate battery pack.
- ◆ Or run the battery down completely if it is integral and then switch off.
- ◆ Regularly clean the ventilation slots in your appliance/tool/charger using a soft brush or dry cloth.
- ◆ Regularly clean the motor housing using a damp cloth. Do not use any abrasive or solvent-based cleaner.

Mains plug replacement (U.K. & Ireland only)

If a new mains plug needs to be fitted:

- ◆ Safely dispose of the old plug.
- ◆ Connect the brown lead to the live terminal in the new plug.
- ◆ Connect the blue lead to the neutral terminal.

Warning! No connection is to be made to the earth terminal. Follow the fitting instructions supplied with good quality plugs. Recommended fuse: 5 A.

Protecting the environment



Separate collection. This product must not be disposed of with normal household waste.

Should you find one day that your Black & Decker product needs replacement, or if it is of no further use to you, do not dispose of it with household waste. Make this product available for separate collection.



Separate collection of used products and packaging allows materials to be recycled and used again. Re-use of recycled materials helps prevent environmental pollution and reduces the demand for raw materials.

Local regulations may provide for separate collection of electrical products from the household, at municipal waste sites or by the retailer when you purchase a new product.

Black & Decker provides a facility for the collection and recycling of Black & Decker products once they have reached the end of their working life. To take advantage of this service please return your product to any authorised repair agent who will collect them on our behalf.

You can check the location of your nearest authorised repair agent by contacting your local Black & Decker office at the address indicated in this manual. Alternatively, a list of authorised Black & Decker repair agents and full details of our after-sales service and contacts are available on the Internet at: www.2helpU.com

Technical data

		RS890 (Type 1)
Input voltage	V_{AC}	230
Power input	W	500
Number of strokes	min^{-1}	0 - 2700
Stroke length	mm	23
Max. depth of cut	mm	
Wood		100
Steel		3
Plastic pipe		ø 50
Pruning		ø 50
Weight	kg	2.7

Level of sound pressure according to EN 60745:

Sound pressure (L_{pA}) 88.5 dB(A), uncertainty (K) 3 dB(A)

Sound power (L_{WA}) 95.5 dB(A), uncertainty (K) 3 dB(A)

Vibration total values (triax vector sum) according to EN 60745:

(Jig saw mode)

Cutting boards ($a_{h,B}$) 6.4 m/s^2 , uncertainty (K) 1.5 m/s^2

Cutting sheet metal ($a_{h,M}$) 11.6 m/s^2 , uncertainty (K) 1.5 m/s^2

Vibration total values (triax vector sum) according to EN 60745:

(Reciprocating saw mode)

Cutting boards ($a_{h,B}$) 5.9 m/s^2 , uncertainty (K) 1.5 m/s^2

Cutting wooden beams ($a_{h,WB}$) 8.5 m/s^2 , uncertainty (K) 1.5 m/s^2

EC declaration of conformity
MACHINERY DIRECTIVE

RS890

Black & Decker declares that these products described under "technical data" are in compliance with:
2006/42/EC, EN 60745-1, EN 60745-2-11
These products also comply with Directive
2004/108/EC and 2011/65/EU.

For more information, please contact Black & Decker at the following address or refer to the back of the manual.

The undersigned is responsible for compilation of the technical file and makes this declaration on behalf of Black & Decker.

Kevin Hewitt
Vice-President Global Engineering
Black & Decker Europe, 210 Bath Road, Slough,
Berkshire, SL1 3YD
United Kingdom
19/04/2013

Guarantee

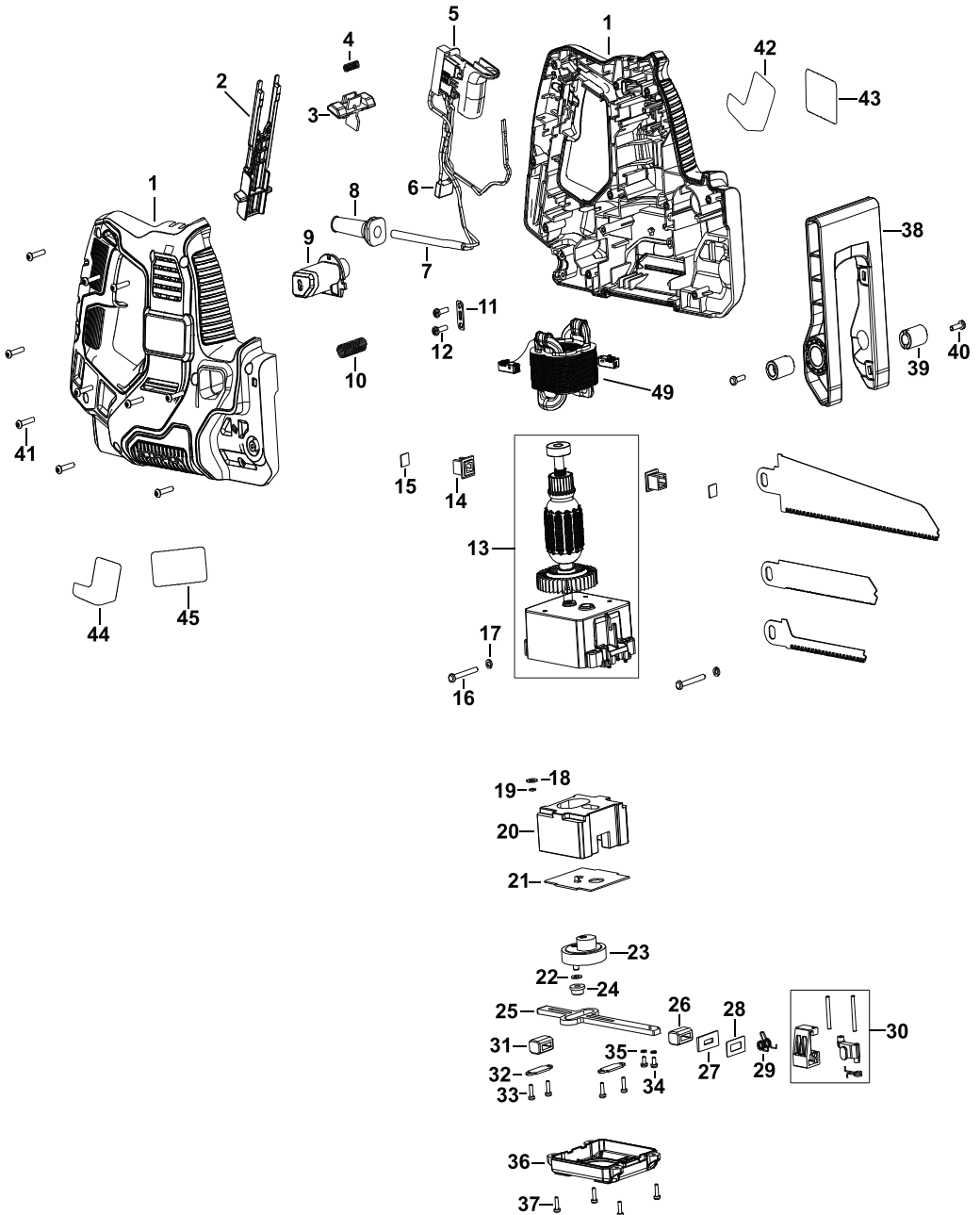
Black & Decker is confident of the quality of its products and offers an outstanding guarantee. This guarantee statement is in addition to and in no way prejudices your statutory rights. The guarantee is valid within the territories of the Member States of the European Union and the European Free Trade Area.

If a Black & Decker product becomes defective due to faulty materials, workmanship or lack of conformity, within 24 months from the date of purchase, Black & Decker guarantees to replace defective parts, repair products subjected to fair wear and tear or replace such products to ensure minimum inconvenience to the customer unless:

- ◆ The product has been used for trade, professional or hire purposes;
- ◆ The product has been subjected to misuse or neglect;
- ◆ The product has sustained damage through foreign objects, substances or accidents;
- ◆ Repairs have been attempted by persons other than authorised repair agents or Black & Decker service staff.

To claim on the guarantee, you will need to submit proof of purchase to the seller or an authorised repair agent. You can check the location of your nearest authorised repair agent by contacting your local Black & Decker office at the address indicated in this manual. Alternatively, a list of authorised Black & Decker repair agents and full details of our after-sales service and contacts are available on the Internet at: www.2helpU.com

Please visit our website www.blackanddecker.co.uk to register your new Black & Decker product and to be kept up to date on new products and special offers. Further information on the Black & Decker brand and our range of products is available at www.blackanddecker.co.uk



ENGLISH

Do not forget to register your product!

www.blackanddecker.co.uk/productregistration

Register your product online at **www.blackanddecker.co.uk/productregistration** or send your name, surname and product code to Black & Decker in your country.

Australia

Black & Decker (Australia) Pty. Ltd.
20 Fletcher Road, Mooroolbark,
Victoria, 3138

Tel. 03-8720 5100
Fax 03-9727 5940

New Zealand

Black & Decker
5 Te Apunga Place
Mt Wellington
Auckland 1060

Tel. +64 9 259 1133
Fax +64 9 259 1122

United Kingdom

Black & Decker
210 Bath Road
Slough, Berkshire SL1 3YD

Tel. 01753 511234
Fax 01753 551155

McGrp.Ru



Сайт техники и электроники

Наш сайт McGrp.Ru при этом не является просто хранилищем [инструкций по эксплуатации](#), это живое сообщество людей. Они общаются на форуме, задают вопросы о способах и особенностях использования техники. На все вопросы очень быстро находят ответы от таких же посетителей сайта, экспертов или администраторов. Вопрос можно задать как на форуме, так и в специальной форме на странице, где описывается интересующая вас техника.