

EN  
FR  
RU  
UA  
TR  
AR

FIG. A

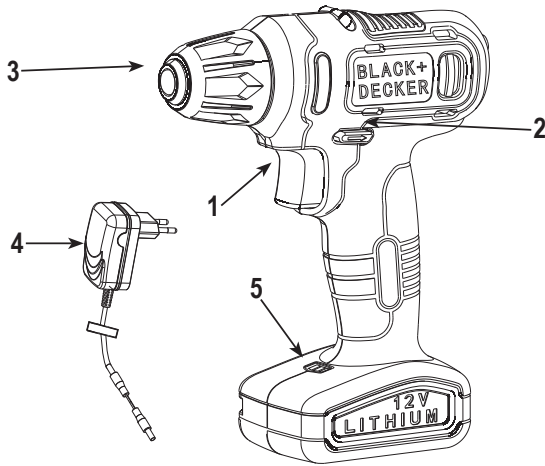


FIG. B

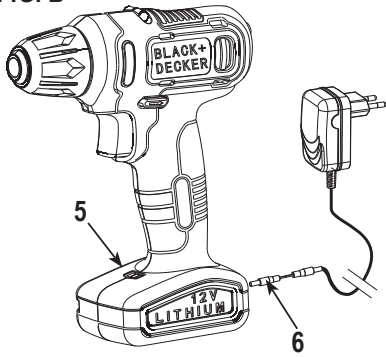


FIG. C

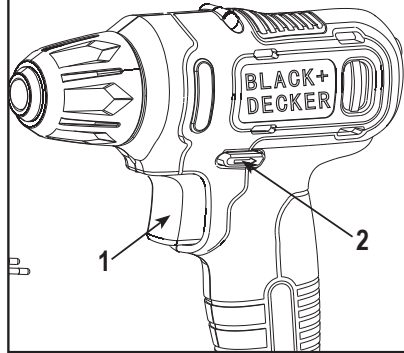
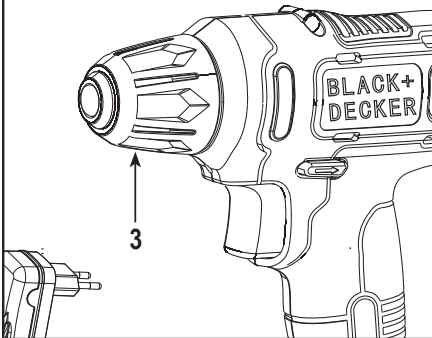


FIG. D



## Intended Use

Your BLACK+DECKER™ drill/driver LD12 has been designed for screw driving applications and for drilling in wood, metal and plastics. This tool is intended for semi-professional and professional use.

**Do not return this product to the store,** first contact your local BLACK+DECKER office or nearest authorized service center.

## Safety instructions

### General power tool safety warnings.



**Warning! Read all safety warnings, instructions, illustrations and specifications provided with this power tool.** Failure to follow all

instructions listed below may result in electric shock, fire and/or serious injury..

**Save all warnings and instructions for future reference.**

The term "power tool" in all of the warnings listed below refers to your mains operated (corded) power tool or battery operated (cordless) power tool.

### 1. Work area safety

- a. **Keep work area clean and well lit.** Cluttered or dark areas invite accidents.
- b. **Do not operate power tools in explosive atmospheres, such as in the presence of flammable liquids, gases or dust.** Power tools create sparks which may ignite the dust or fumes.
- c. **Keep children and bystanders away while operating a power tool.** Distractions can cause you to lose control.

### 2. Electrical safety

- a. **Power tool plugs must match the outlet. Never modify the plug in any way. Do not use any adapter plugs with earthed (grounded) power tools.** Unmodified plugs and matching outlets will reduce risk of electric shock.
- b. **Avoid body contact with earthed or grounded surfaces such as pipes,**

**radiators, ranges and refrigerators.** There is an increased risk of electric shock if your body is earthed or grounded.

- c. **Do not expose power tools to rain or wet conditions.** Water entering a power tool will increase the risk of electric shock.
- d. **Do not abuse the cord. Never use the cord for carrying, pulling or unplugging the power tool. Keep cord away from heat, oil, sharp edges or moving parts.** Damaged or entangled cords increase the risk of electric shock.
- e. **When operating a power tool outdoors, use an extension cord suitable for outdoor use.** Use of a cord suitable for outdoor use reduces the risk of electric shock.
- f. **If operating a power tool in a damp location is unavoidable, use a residual current device (RCD) protected supply.** Use of an RCD reduces the risk of electric shock.

### 3. Personal safety

- a. **Stay alert, watch what you are doing and use common sense when operating a power tool. Do not use a power tool while you are tired or under the influence of drugs, alcohol or medication.** A moment of inattention while operating power tools may result in serious personal injury.
- b. **Use personal protective equipment. Always wear eye protection.** Protective equipment such as a dust mask, non-skid safety shoes, hard hat, or hearing protection used for appropriate conditions will reduce personal injuries.
- c. **Prevent unintentional starting. Ensure the switch is in the off-position before connecting to power source and/or battery pack, picking up or carrying the tool.** Carrying power tools with your finger on the switch or energising power tools that have the switch on invites accidents.
- d. **Remove any adjusting key or wrench before turning the power tool on.** A wrench or a key left attached to a rotating part of the power tool may result in personal injury.

- e. Do not overreach. Keep proper footing and balance at all times.** This enables better control of the power tool in unexpected situations.
- f. Dress properly. Do not wear loose clothing or jewellery. Keep your hair and clothing away from moving parts.** Loose clothes, jewellery or long hair can be caught in moving parts.
- g. If devices are provided for the connection of dust extraction and collection facilities, ensure these are connected and properly used.** Use of dust collection can reduce dust-related hazards.
- h. Do not let familiarity gained from frequent use of tools allow you to become complacent and ignore tool safety principles.** A careless action can cause severe injury within a fraction of a second.
- #### 4. Power tool use and care
- a. Do not force the power tool. Use the correct power tool for your application.** The correct power tool will do the job better and safer at the rate for which it was designed.
- b. Do not use the power tool if the switch does not turn it on and off.** Any power tool that cannot be controlled with the switch is dangerous and must be repaired.
- c. Disconnect the plug from the power source and/or remove the battery pack, if detachable from the power tool before making any adjustments, changing accessories, or storing power tools.** Such preventive safety measures reduce the risk of starting the power tool accidentally.
- d. Store idle power tools out of the reach of children and do not allow persons unfamiliar with the power tool or these instructions to operate the power tool.** Power tools are dangerous in the hands of untrained users.
- e. Maintain power tools and accessories. Check for misalignment or binding of moving parts, breakage of parts and any other condition that may affect the power tools operation. If damaged, have the power tool repaired before use.** Many accidents are caused by poorly maintained power tools.
- f. Keep cutting tools sharp and clean.** Properly maintained cutting tools with sharp cutting edges are less likely to bind and are easier to control.
- g. Use the power tool, accessories and tool bits etc., in accordance with these instructions, taking into account the working conditions and the work to be performed.** Use of the power tool for operations different from those intended could result in a hazardous situation.
- h. Keep handles and grasping surfaces dry, clean and free from oil and grease.** Slippery handles and grasping surfaces do not allow for safe handling and control of the tool in unexpected situations.
- #### 5. Battery tool use and care
- a. Recharge only with the charger specified by the manufacturer.** A charger that is suitable for one type of battery pack may create a risk of fire when used with another battery pack.
- b. Use power tools only with specifically designated battery packs.** Use of any other battery packs may create a risk of injury and fire.
- c. When battery pack is not in use, keep it away from other metal objects, like paper clips, coins, keys, nails, screws, or other small metal objects, that can make a connection from one terminal to another.** Shorting the battery terminals together may cause burns or a fire.
- d. Under abusive conditions, liquid may be ejected from the battery; avoid contact. If contact accidentally occurs, flush with water. If liquid contacts eyes, additionally seek medical help.** Liquid ejected from the battery may cause irritation or burns.
- e. Do not use a battery pack or tool that is damaged or modified. Damaged or modified batteries may exhibit unpredictable behaviour resulting in fire, explosion or risk of injury.**
- f. Do not expose a battery pack or tool to fire or excessive temperature.** Exposure to fire or temperature above 130 °C may cause explosion. NOTE The temperature „130 °C“ can be replaced by the temperature „265 °F“.

**g. Follow all charging instructions and do not charge the battery pack or tool outside the temperature range specified in the instructions.** Charging improperly or at temperatures outside the specified range may damage the battery and increase the risk of fire.

## 6. Service

**a. Have your power tool serviced by a qualified repair person using only identical replacement parts.** This will ensure that the safety of the power tool is maintained.

**b. Never service damaged battery packs.** Service of battery packs should only be performed by the or authorized service providers.

## 7. Drill safety warnings

### 1) Safety instructions for all operations

**a. Wear ear protectors when impact drilling.** Exposure to noise can cause hearing loss.

**b. Use the auxiliary handle(s).** Loss of control can cause personal injury.

**c. Brace the tool properly before use.** This tool produces a high output torque and without properly bracing the tool during operation, loss of control may occur resulting in personal injury.

**d. Hold the power tool by insulated gripping surfaces, when performing an operation where the cutting accessory may contact hidden wiring or its own cord.** Cutting accessory contacting a "live" wire may make exposed metal parts of the power tool "live" and could give the operator an electric shock.

### 2) Safety instructions when using long drill bits

**a. Never operate at higher speed than the maximum speed rating of the drill bit.** At higher speeds, the bit is likely to bend if allowed to rotate freely without contacting the workpiece, resulting in personal injury.

**b. Always start drilling at low speed and with the bit tip in contact with the**

**workpiece.** At higher speeds, the bit is likely to bend if allowed to rotate freely without contacting the workpiece, resulting in personal injury.

**c. Apply pressure only in direct line with the bit and do not apply excessive pressure.** Bits can bend causing breakage or loss of control, resulting in personal injury.



## Additional power tool safety warnings

**Warning!** Additional safety warnings for drill/drivers.

- Use clamps or another practical way to secure and support the workpiece to a stable platform. Holding the work by hand or against your body leaves it unstable and may lead to loss of control.
- Before drilling into walls, floors or ceilings check for the location of wiring and pipes.
- Avoid touching the tip of a drill bit just after drilling, as it may be hot.
- This tool is not intended for use by persons (including children) with reduced physical, sensory or mental capabilities, or lack of experience and knowledge, unless they have been given supervision or instruction concerning use of the appliance by a person responsible for their safety. Children should be supervised to ensure that they do not play with the appliance.
- The intended use is described in this instruction manual. The use of any accessory or attachment or performance of any operation with this tool other than those recommended in this instruction manual may present a risk of personal injury and/or damage to property.

## Safety of others

- This appliance is not intended for use by persons (including children) with reduced physical, sensory or mental capabilities, or lack of experience and knowledge, unless they have been given supervision or instruction concerning use of the appliance by a person responsible for their safety.

- Children should be supervised to ensure that they do not play with the appliance.

## Residual risks

Additional residual risks may arise when using the tool which may not be included in the enclosed safety warnings. These risks can arise from misuse, prolonged use etc.

Even with the application of the relevant safety regulations and the implementation of safety devices, certain residual risks cannot be avoided. These include:

- Injuries caused by touching any rotating/moving parts.
- Injuries caused when changing any parts, blades or accessories.
- Injuries caused by prolonged use of a tool. When using any tool for prolonged periods ensure you take regular breaks.
- Impairment of hearing.
- Health hazards caused by breathing dust developed when using your tool (example: working with wood, especially oak, beech and MDF).

## Labels on tool

The label on your tool may include the following symbols:



**Warning!** To reduce the risk of injury, the user must read the instruction manual.



The charger is intended for indoor use only.



Read this entire manual carefully before using the appliance.

## Position of date barcode

The Date Code, which also includes the year of manufacture, is printed into the housing. Example:

2017 XX JN  
Year of manufacturing

## Electrical safety



Your charger is double insulated; therefore no earth wire is required.

Always check that the mains voltage corresponds to the voltage on the rating plate. Never attempt to replace the charger unit with a regular mains plug.

- If the supply cord is damaged, it must be replaced by the manufacturer or an authorised BLACK+DECKER Service Centre in order to avoid a hazard.

## Features (Fig. A)

1. Switch
2. Forward/Reverse button
3. Keyless chuck
4. Charger
5. Charging and cell capacity indicator

## Safety warnings and instructions

### Batterie

- DO NOT disassemble or open, drop (mechanical abuse), crush, bend or deform, puncture, or shred.
- DO NOT modify or remanufacture, attempt to insert foreign objects into the battery, immerse or expose to water or other liquids, or expose to fire, excessive heat including soldering irons, or put in microwave oven.
- Only use the battery with a charging system specified by the manufacturer/supplier.
- DO NOT short-circuit a battery or allow metallic or conductive objects to contact both battery terminals simultaneously.
- Dispose of used batteries promptly according to the manufacturer/supplier's instructions.
- Improper battery use may result in a fire, explosion, or other hazard.
- Battery usage by children should be supervised.



**Warning!** Never attempt to open the battery for any reason. If battery case is cracked or damaged, do not insert into

charger. Do not crush, drop or damage battery. Do not use a battery or charger that has received a sharp blow, been dropped, run over or damaged in any way (i.e., pierced with a nail, hit with a hammer, stepped on). Damaged batteries should be returned to service center for recycling.

### Charger

1. This manual contains important safety and operating instructions.
2. Before using battery charger, read all instructions and cautionary warnings on battery charger and product using battery.

**Caution!** To reduce the risk of injury, use charger only with this product. Batteries in other products may burst causing personal injury or damage.

3. Do not expose charger to rain or snow.
4. Use of an attachment not recommended or sold by BLACK+DECKER may result in a risk of fire, electric shock, or injury to persons.
5. To reduce risk of damage to electric plug and cord, pull by plug rather than cord when disconnecting charger.
6. Make sure cord is located so that it will not be stepped on, tripped over, or otherwise subjected to damage or stress.
7. An extension cord should not be used unless absolutely necessary. Use of improper extension cord could result in a risk of fire, electric shock or electrocution.
  - a. Two-wire cords can be used with 2-wire or 3-wire extension cords. Only round jacketed extension cords should be used, and we recommend that they be listed by Underwriters Laboratories (U.L.). If the extension is to be used outside, the cord must be suitable for outdoor use.

Any cord marked for outdoor use can also be used for indoor work. The letters "W" or "WA" on the cord jacket indicates that the cord is suitable for outdoor use.

- b. An extension cord must have adequate wire size or American Wire Gauge) for safety, and to prevent loss of power and overheating. The smaller the gauge number of the wire, the greater the capacity of the cable; that is, 16 gauge has more capacity than 18 gauge. When using more than one extension to make up the total length, be sure each extension contains at least the minimum wire size.
8. Use only the supplied charger when charging your tool. The use of any other charger could damage the tool or create a hazardous condition.
9. Use only one charger when charging.
10. DO NOT attempt to open the charger. There are no customer serviceable parts inside. Return to any Black+Decker service center.
11. DO NOT incinerate the battery even if it is severely damaged or is completely worn out. The batteries can explode in a fire. Toxic fumes and materials are created when lithium ion batteries are burned.
12. DO NOT charge or use battery in explosive atmospheres, such as in the presence of flammable liquids, gases or dust. Inserting or removing the drill from the charger may ignite the dust or fumes.
13. If battery contents come into contact with the skin, immediately wash area with mild soap and water. If battery liquid gets into the eye, rinse water over the open eye for three minutes or until irritation ceases. If medical attention is needed, the battery electrolyte is composed of a mixture of liquid organic carbonates and lithium salts.



**Warning!** Burn hazard. Battery liquid may be flammable if exposed to spark or flame

## Important charging notes

1. After normal usage, your tool should be fully charged in 1 to 1,5 hours. Your tool was sent from the factory in an uncharged condition. Before attempting to use it, it must be charged for at least 1 hour.
2. Longest life and best performance can be obtained if the battery pack is charged when the air temperature is between 65°F and 75°F (18°C - 24°C).
3. DO NOT charge the batteries in an air temperature below 40°F (4,5°C) or above 105°F (+40,5°C). This is important and will prevent serious damage to the batteries.
4. While charging, the charger may hum and become warm to touch. This is a normal condition and does not indicate a problem.
5. If the batteries do not charge properly:
  - a. Check current at receptacle by plugging in a lamp or other appliance.
  - b. Check to see if receptacle is connected to a light switch which turns power off when you turn out the lights.
  - c. Move charger and tool to a surrounding air temperature of 40°F (4,5°C) to 105°F (+40,5°C).
  - d. If the receptacle and temperature are OK, and you do not get proper charging, take or send the tool and charger to your local BLACK+DECKER service center.
6. The tool should be recharged when it fails to produce sufficient power on jobs which were easily done previously. DO NOT CONTINUE using product with its batteries in a depleted condition.
7. Foreign materials of a conductive nature such as, but not limited to, steel wool, aluminum foil, or any build up of metallic particles should be kept away from charger cavities. Always unplug the charger from the power supply when there is no battery pack in the cavity. Unplug charger before attempting to clean.

8. Do not freeze or immerse charger in water or any other liquid.

## Storage recommendations

1. The best storage place is one that is cool and dry away from direct sunlight and excess heat or cold.
2. Long storage will not harm the battery pack or charger.

## Charging procedure (Fig. B)

**The batteries in your tool are not fully charged at the factory. Before attempting to charge them, thoroughly read all of the Safety instructions.**

To charge your tool, follow the steps below:

1. Plug the charger into any standard electrical outlet.
2. Insert the charger plug (6) as shown in Fig. B. The charging indicator LED (5) will remain on continuously, the 3 LED will remain on from the first to third when charging is complete, all of the LED will turn on.
3. Let the tool charge initially for 1 to 1.5 hours. After the initial charge, under normal usage, your tool should be fully charged in 1 to 1.5 hours.



**Warning!** Do not use tool while it is connected to the charger.



**Warning!** Fire Hazard. When disconnecting the charger from the tool, be sure to unplug the charger from the outlet first, then disconnect the charger cord from the tool.

## Operating instructions

### Trigger switch and reversing button (Fig. C)

- The drill is turned ON and OFF by pulling and releasing the trigger switch (1).
- A Forward/Reverse control button (2) determines the direction of the tool and also serves as a lock off button.



- To select Forward rotation, release the trigger switch and depress the Forward/Reverse control button to the left.
- To select reverse, depress the Forward/Reverse control button the opposite direction.

**Note:** The center position of the control button locks the tool in the off position. When changing the position of the control button, be sure the trigger is released.

### Variable speed trigger switch (Fig. A)

To turn the tool on, squeeze the trigger switch (1). To turn the tool off, release the trigger switch. Your tool is equipped with a brake. The chuck will stop when the trigger switch is fully released. The variable speed switch enables you to select the best speed for a particular application. The further you squeeze the trigger, the faster the tool will operate. For maximum tool life, use variable speed only for starting holes or fasteners

**Note:** Continuous use in variable speed range is not recommended. It may damage the switch and should be avoided.

### Keyless single sleeve chuck (Fig. D)

Your tool features a keyless chuck with one rotating sleeve for one-handed operation of the chuck. To insert a drill bit or other accessory, follow these steps.

1. Lock the trigger in the OFF position as previously described.
2. Grasp the black sleeve of the chuck with one hand and use the other hand to secure the tool. Rotate the sleeve counterclockwise far enough to accept the desired accessory.
3. Insert the accessory into the chuck and tighten securely by rotating the chuck sleeve clockwise with one hand while holding the tool with the other. Your tool is equipped with an automatic spindle lock mechanism. This allows you to open and close the chuck with one hand.

To release the accessory, repeat step 2 above.



**Warning!** Do not attempt to tighten drill bits (or any other accessory) by gripping the front part of the chuck and turning the tool on. Damage to the chuck and personal injury may result. Always lock off trigger switch when changing accessories. Be sure to tighten chuck with one hand on the chuck sleeve and one hand holding the tool for maximum tightness.

### Screwdriving

For driving fasteners, the reversing button should be pushed to the left. Use reverse (button pushed to the right) for removing fasteners. When moving from forward to reverse, or vice versa, always release the trigger switch first.

### Drilling

- Use sharp drill bits only.
- Support and secure work properly, as instructed in the "Safety Instructions".
- Use appropriate and required safety equipment, as instructed in the "Safety Instructions".
- Secure and maintain work area, as instructed in the "Safety Instructions".
- Run the drill very slowly, using light pressure, until the hole is started enough to keep the drill bit from slipping out of it.
- Apply pressure in a straight line with the bit. Use enough pressure to keep the bit biting but not so much as to stall the motor or deflect the bit.
- Hold the drill firmly with two hands to control its twisting action.
- Do not click the trigger of a stalled drill off and on in an attempt to start it. Damage to the drill can result.
- Minimize stalling on breakthrough by reducing pressure and slowly drilling through the last part of the hole.
- Keep the motor running while pulling the bit out of a drilled hole. This will help reduce jamming.
- Make sure switch turns drill on and off.

### Drilling in wood

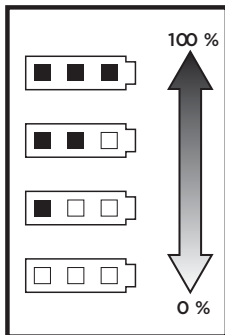
Holes in wood can be made with the same twist drill bits used for metal or with spade bits. These bits should be sharp and should be pulled out frequently when drilling to clear chips from the flutes.

### Drilling in metal

Use a cutting lubricant when drilling metals. The exceptions are cast iron and brass which should be drilled dry. The cutting lubricants that work best are sulfurized cutting oil or lard oil.

### Cell indicator

When press the main trigger (1), the cell capacity indicator turn on at the same to show the cell capacity status.



### Troubleshooting

Problem	Possible cause	Possible solution
Unit will not start.	Battery pack not installed properly Battery pack not charged.	Check battery pack installation. Check battery pack charging requirements.
Battery pack will not charge.	Battery pack not inserted into charger. Charger not plugged in.	Insert battery pack into charger until green LED appears Plug charger into aworking outlet. Refer to "Important Charging Notes" formore details.

Unit shuts off abruptly.	Surrounding air temperature too hot or too cold.  Battery pack has reached its maximumthermal limit.  Out of charge. (To maximize the life of the battery pack it is designed to shut off abruptly when the charge is depleted.)	Move charger and battery pack to a surrounding air temperature of above 40 oF 4,5°C) or below 105 oF (+40,5°C).  Allow battery pack to cool down.  Place on charger and allow to charge.
--------------------------	--	--

### Maintenance

Your BLACK+DECKER tool has been designed to operate over a long period of time with a minimum of maintenance. Continuous satisfactory operation depends upon proper tool care and regular cleaning. Your charger does not require any maintenance apart from regular cleaning.



**Warning!** Before performing any maintenance on the tool, remove the battery from the tool. Unplug the charger before cleaning it.

- Regularly clean the ventilation slots in your tool and charger using a soft brush or dry cloth.
- Regularly clean the motor housing using a damp cloth. Do not use any abrasive or solvent-based cleaner.
- Regularly open the chuck and tap it to remove any dust from the interior.

**Important!** To ensure product SAFETY and RELIABILITY, repairs, maintenance and adjustment (other than those listed in this manual) should be performed by authorized service centers or other qualified organizations, always using identical replacement parts. Unit contains no user service able parts inside.

### Accessories

Recommended accessories for use with your tool are available at extra cost from your local dealer or authorized service center.



**Warning!** The use of any accessory not recommended for use with this tool could be hazardous.

### Batteries



BLACK+DECKER batteries can be recharged many times. At the end of their useful life, discard batteries with due care for our environment:

- Run the battery down completely, then remove it from the tool.
- NiCd, NiMH and Li-Ion batteries are recyclable. Take them to any authorized repair agent or a local recycling station.

### Protecting the environment



Separate collection. This product must not be disposed of with normal household waste.

Should you find one day that your BLACK+DECKER product needs replacement, or if it is of no further use to you, do not dispose of it with household waste. Make this product available for separate collection.



Separate collection of used products and packaging allows materials to be recycled and used again. Reuse of recycled materials helps prevent environmental pollution and reduces the demand for raw materials.

Local regulations may provide for separate collection of electrical products from the household, at municipal waste sites or by the retailer when you purchase a new product.

BLACK+DECKER provides a facility for the collection and recycling of BLACK+DECKER products once they have reached the end of their working life. To take advantage of this service please return your product to any authorised repair agent who will collect them on our behalf. You can check the location of your nearest authorised repair agent by contacting your local BLACK+DECKER office at the address indicated in this manual. Alternatively, a list of authorised BLACK+DECKER repair agents and full details of our after-sales service and contacts are available on the Internet at: [www.2helpU.com](http://www.2helpU.com).

### Technical data

LD12	
Voltage	12V
No-load speed	0 - 900/min (rpm)
Chuck	10 mm
Torque	8,0 Nm (70.8 in-lb)

### Charger

Output current	1 A
Charge time	1 to 1.5 hrs

### Battery

Voltage	12V
Capacity	1.5 Ah
Type	Integrate Lithium-Ion

\* Maximum initial battery pack voltage (Measured without a workload) is 12 volts. Measured under a workload, nominal voltage is 10,8V.

## Guarantee

BLACK+DECKER is confident of the quality of its products and offers an outstanding guarantee. This guarantee statement is in addition to and in no way prejudices your statutory rights.

If a BLACK+DECKER product becomes defective due to faulty materials, workmanship or lack of conformity, within 24 months from the date of purchase, BLACK+DECKER guarantees to replace defective parts, repair products subjected to fair wear and tear or replace such products to make sure of the minimum inconvenience to the customer unless:

- The product has been used for trade, professional or hire purposes.
- The product has been subjected to misuse or neglect.
- The product has sustained damage through foreign objects, substances or accidents.
- Repairs have been attempted by persons other than authorised repair agents or BLACK+DECKER service staff.

To claim on the guarantee, you will need to submit proof of purchase to the seller or an authorised repair agent. You can check the location of your nearest authorised repair agent by contacting your local BLACK+DECKER office at the address indicated in this manual. Alternatively, a list of authorised BLACK+DECKER repair agents and full details of our aftersales service and contacts are available on the Internet at: [www.2helpU.com](http://www.2helpU.com)

## Utilisation prévue

Votre perceuse visseuse LD12 BLACK+DECKER™ a été conçue pour les travaux de vissage et de perçage dans du bois, du métal et du plastique. Cet outil est destiné à un usage semi-professionnel et professionnel.

**Ne renvoyez pas ce produit au magasin,** contactez d'abord votre bureau ou centre de services agréé BLACK+DECKER le plus proche.

## Consignes de sécurité

### Avertissements de sécurité générale concernant l'outil électrique.



**Avertissement! Lisez tous les avertissements de sécurité, les instructions, les illustrations et les spécifications fournies avec cet outil électrique.** Le non-respect de ces avertissements et de ces instructions peut provoquer un incendie, une électrocution et/ou de graves blessures.

### Conservez ces avertissements et ces instructions à titre de référence ultérieure.

Le terme « outil électrique » dans les avertissements fait référence à votre outil électrique alimenté par batterie (avec cordon d'alimentation) ou votre outil fonctionnant sur batterie (sans cordon).

#### 1. Sécurité de l'aire de travail

- a. **Travaillez dans un endroit propre et bien éclairé.** Les zones encombrées et sombres peuvent entraîner des accidents.
- b. **Ne mettez pas en marche votre outil électrique dans un environnement explosif, ou en présence de liquides inflammables, de gaz ou de poussières.** La mise en marche de l'outil crée des étincelles qui peuvent enflammer les poussières ou vapeurs.
- c. **Éloignez les enfants et les personnes présentes de la zone lorsque l'outil est en fonctionnement.** Toute distraction peut vous faire perdre le contrôle de l'outil.

#### 2. Sécurité électrique

- a. **Les fiches de l'outil électrique doivent correspondre à la prise secteur. Ne modifiez jamais la fiche, de quelque**

**manière que ce soit.** N'utilisez pas d'adaptateurs avec des outils ayant une prise de terre (mis à la terre). Des fiches non modifiées et raccordées aux prises murales correspondantes réduiront les risques de choc électrique.

- b. **Évitez le contact direct avec les surfaces mises à la terre ou mises à la masse comme les canalisations, les radiateurs, les cuisinières et les réfrigérateurs.** Le risque de choc électrique augmente si votre corps est mis à la terre ou à la masse.
  - c. **N'utilisez pas d'outils électriques dans des environnements pluvieux ou humides.** Si de l'eau s'introduit dans un outil électrique, le risque de choc électrique augmentera.
  - d. **Ne malmez pas le cordon d'alimentation. N'utilisez jamais le cordon pour transporter, tirer ou débrancher l'outil électrique.** Veillez à garder le cordon éloigné des sources de chaleur, des huiles, des rebords coupants ou des pièces mobiles. Les câbles endommagés ou entremêlés augmentent le risque de choc électrique.
  - e. **Lorsqu'un outil électrique est utilisé à l'extérieur, utilisez uniquement une rallonge spécialement prévue à cet effet.** L'usage d'une rallonge adaptée à l'utilisation en extérieur réduit le risque de choc électrique.
  - f. **Si vous devez utiliser un outil électrique dans un endroit humide, utilisez une alimentation protégée par un dispositif à courant différentiel résiduel (DDR).** L'utilisation d'un DDR réduit le risque de choc électrique. Remarque : Le terme « dispositif à courant différentiel résiduel (DDR) » peut être remplacé par « circuit protégé par un disjoncteur DDFT » ou par « interrupteur différentiel de sécurité (ELCB) ».
- #### 3. Sécurité personnelle
- a. **Soyez vigilant, regardez bien ce que vous faites et faites preuve de bon sens lorsque vous utilisez l'outil électrique.** N'utilisez pas d'outil électrique si vous êtes sous l'influence de drogues, d'alcool ou de médicaments. Un instant d'inattention pendant l'utilisation d'outils électriques peut entraîner des blessures graves.

- b. Utilisez un équipement de protection individuel. Utilisez toujours une protection oculaire.** L'utilisation d'équipements de protection tels que les masques anti-poussière, les chaussures de sécurité antidérapantes, les casques de sécurité ou les protections auditives dans des conditions appropriées réduiront les risques de blessures corporelles.
- c. Évitez les démarrages intempestifs. Veillez à ce que l'interrupteur soit en position d'arrêt avant de brancher l'outil à une source d'alimentation et/ou une batterie, de ramasser l'outil ou de le transporter.** Transporter les outils électriques avec le doigt sur l'interrupteur ou brancher les outils électriques avec l'interrupteur en position de marche peut entraîner des accidents.
- d. Retirez toute clé de sécurité ou autre clé de réglage avant de mettre l'outil électrique en marche.** Laissez une clé à molette ou une clé sur une partie rotative de l'outil électrique peut engendrer des blessures corporelles.
- e. Ne vous penchez pas trop. Gardez en permanence une position stable et un bon équilibre.** Cela permet un meilleur contrôle de l'outil électrique dans des situations imprévues.
- f. Habillez-vous correctement. Ne portez pas de vêtements amples ou de bijoux. Gardez vos cheveux, vos vêtements et vos gants éloignés des pièces mobiles.** Tenez vos cheveux, vêtements et gants éloignés des pièces mobiles. Les vêtements amples, les bijoux ou les cheveux longs peuvent être happés par les pièces mobiles.
- g. Si des accessoires destinés au raccordement d'installations d'extraction et de recueil de la poussière sont fournis, assurez-vous qu'ils sont correctement raccordés et utilisés.** L'utilisation de ces appareils peut réduire les risques liés à la présence de poussière.
- h. Ne pensez pas que la familiarité que vous avez acquise en utilisant fréquemment des outils vous permet d'être complaisant et d'ignorer les principes de sécurité concernant l'utilisation des outils.** Une action imprudente peut causer de graves blessures en une fraction de seconde.
- 4. Utilisation et entretien de l'outil électrique**
- a. Ne forcez pas l'outil électrique. Utilisez l'outil électrique adapté à votre travail.** L'outil adapté est plus efficace et moins dangereux s'il est utilisé à la vitesse pour laquelle il a été conçu.
- b. N'utilisez pas l'outil si l'interrupteur ne le met pas en position de marche et d'arrêt.** Tout outil qui ne peut être contrôlé par l'interrupteur est dangereux et doit être réparé.
- c. Débrancher la fiche de l'alimentation source et / ou la batterie de la outil électrique avant de faire ajustements, changement d'accessoires, ou stockage d'outils électriques.** Ces mesures de sécurité préventives réduisent le risque de démarrage accidentel de l'outil électrique.
- d. Conservez les outils électriques inutilisés hors de la portée des enfants et ne laissez pas de personnes non familiarisées avec l'outil ou ces instructions utiliser l'outil électrique.** Les outils électriques sont dangereux pour les utilisateurs inexpérimentés.
- e. Maintenir les outils électriques. Vérifiez la dérive d'alignement ou l'attache des pièces mobiles, toute possibilité de rupture de pièces et tout état pouvant affecter l'outil lors de son utilisation.** Si l'outil est endommagé, faites-le réparer avant de l'utiliser. De nombreux accidents sont dus à des outils électriques mal entretenus.
- f. Maintenez les outils de coupe aiguisés et propres.** Les outils de coupe bien entretenus aux bords aiguisés sont moins susceptibles de se coincer et plus faciles à contrôler.
- g. Utilisez l'outil électrique, les accessoires et les lames de l'outil, etc., conformément à ces instructions en prenant en compte les conditions de travail et la tâche à réaliser.** L'utilisation de l'outil électrique pour des opérations différentes de celles pour lesquelles il a été conçu peut entraîner une situation dangereuse.

- h. Maintenez les poignées et les surfaces de préhension sèches, propres et exemptes d'huile et de graisse.** Des poignées et des surfaces de préhension glissantes ne permettent pas de manipuler l'outil en toute sécurité et de le contrôler dans des situations inattendues.
- 5. Utilisation et entretien d'un outil alimenté par batterie**
- a. Rechargez l'outil uniquement avec le chargeur spécifié par le fabricant.** Un chargeur approprié pour un type de batterie peut créer un risque d'incendie lorsqu'il est utilisé avec une autre batterie.
- b. Utilisez les outils électriques uniquement avec les batteries spécialement adaptées.** L'utilisation d'autres batteries présente un risque de blessure et d'incendie.
- c. Lorsque vous ne vous servez pas de la batterie, rangez-la loin des autres objets métalliques, comme des trombones, pièces de monnaie, clés, clous, vis ou autres petits objets métalliques, susceptibles d'établir une connexion entre les bornes.** Tout court-circuit entre les bornes de la batterie peut provoquer des brûlures ou un incendie.
- d. Dans des conditions d'utilisation excessive, du liquide peut s'écouler de la batterie ; dans ce cas, veuillez éviter tout contact.** En cas de contact accidentel, rincez la partie touchée avec de l'eau. Si le liquide pénètre dans vos yeux, consultez immédiatement un médecin. Le liquide éjecté de la batterie peut causer des irritations ou des brûlures.
- e. N'utilisez pas une batterie ou un outil s'ils sont endommagés ou modifiés.** Une batterie endommagée ou modifiée peut avoir un comportement imprévisible susceptible d'entraîner un incendie, une explosion ou des blessures.
- f. N'exposez pas la batterie ou l'outil au feu ou à une température excessive.** L'exposition au feu ou à une température supérieure à 130 °C peut provoquer une explosion. REMARQUE La température « 130 °C » peut être remplacée par la température « 265 °F ».
- g. Suivez toutes les instructions de chargement et ne chargez pas la batterie, ou l'outil, à l'extérieur de la plage de température indiquée dans les instructions.** Une recharge incorrecte ou à des températures en dehors de la plage spécifiée peut endommager la batterie et accroître le risque d'incendie.
- 6. Réparation**
- a. Faites réparer votre outil électrique par un réparateur agréé utilisant uniquement les pièces de rechange identiques.** Cela permettra de garantir la sécurité de l'outil électrique.
- b. N'essayez jamais de réparer des batteries endommagées.** Les batteries doivent être réparées uniquement par des fournisseurs de services autorisés.
- 7. Consignes de sécurité de perçage**
- 1) Consignes de sécurité pour toutes les utilisations**
- a. Portez une protection auditive lorsque vous utilisez des perceuses à percussion.** Une exposition au bruit peut provoquer la perte de l'audition.
- b. Utilisez la ou les poignées auxiliaires.** Toute perte de contrôle peut causer des dommages corporels.
- c. Empoignez bien l'outil avant de l'utiliser.** Cet outil produit un couple de sortie élevé et s'il n'est pas correctement tenu durant son utilisation, vous pouvez en perdre le contrôle, ce qui peut entraîner des blessures.
- d. Tenez l'outil électrique par les surfaces isolées lorsque vous effectuez une opération au cours de laquelle l'accessoire coupant peut être en contact avec des câbles cachés ou avec son propre câble d'alimentation.** Si un accessoire de coupe entre en contact avec un câble « sous tension », les pièces métalliques de l'outil électrique risquent de transmettre le courant et d'infliger un choc électrique à l'opérateur.
- 2) Instructions de sécurité lors de l'utilisation de forets/mèches longs**



## Avertissements de sécurité générale concernant l'outil

**Avertissement !** Avertissements de sécurité supplémentaires pour les perceuses viseuses.

- Utilisez des serre-joints, un étau de serrage ou toute autre méthode pratique pour sécuriser et maintenir la pièce à traiter sur une plate-forme stable. Le fait de tenir la pièce à traiter avec votre main ou de l'appuyer contre votre corps la rend instable et peut provoquer une perte de contrôle.
- Avant de percer les murs, les sols ou les plafonds, vérifiez la position des câbles et des tuyaux.
- Évitez de toucher la pointe d'un foret immédiatement après utilisation, car vous pourriez vous brûler.
- Cet outil n'est pas destiné à être utilisé par des personnes (y compris les enfants) présentant des capacités physiques, sensorielles ou mentales réduites, ou sans expérience, ni connaissances, à moins qu'elles ne soient surveillées ou qu'elles n'aient été instruites sur l'utilisation de l'outil par une personne responsable de leur sécurité. Les enfants doivent être surveillés pour s'assurer qu'ils ne jouent pas avec l'outil.
- L'utilisation prévue est décrite dans le présent manuel. Toute utilisation d'accessoires, de pièces rajoutées et de l'outil autre que celles qui sont définies dans le présent manuel d'instructions présente un risque de blessure et de dommages matériels.

## Sécurité d'autrui

- Cet outil n'est pas prévu pour être utilisé par des personnes (y compris les enfants) présentant des capacités physiques, sensorielles ou mentales réduites, ou manquant d'expérience et de connaissances, sans surveillance ou sans avoir reçu d'instructions concernant l'utilisation de l'outil de la part d'une personne responsable de leur sécurité.
- Les enfants doivent être surveillés pour s'assurer qu'ils ne jouent pas avec l'outil.

## Risques résiduels

Il se peut que des risques résiduels additionnels non inclus dans les avertissements de sécurité du présent manuel surviennent lors de l'utilisation de l'outil. Ces risques peuvent provenir d'une utilisation inappropriée ou prolongée, etc.

Malgré l'application des instructions de sécurité en vigueur et la mise en œuvre des dispositifs de sécurité, certains risques résiduels ne peuvent être évités. Ces risques comprennent :

- Des blessures provoquées par le contact avec des pièces mobiles / rotatives.
- Des blessures provoquées lors du changement des pièces, forets ou accessoires.
- Des blessures provoquées par un usage prolongé d'un outil. Assurez-vous prendre régulièrement des pauses lors d'un usage prolongé d'un outil.
- Des troubles de l'audition.
- Il existe des risques pour la santé causés par l'inhalation de poussières qui se développent lors de l'utilisation de votre outil (exemple : travailler avec du bois, en particulier du chêne, du hêtre ou du MDF).

## Étiquettes sur l'outil

L'étiquette apposée sur votre outil peut afficher les symboles suivants :



**Attention !** Pour réduire les risques de blessures, l'utilisateur doit lire le manuel d'instructions.



Le chargeur doit être utilisé uniquement à l'intérieur.



Avant d'utiliser cette machine lisez attentivement la totalité de ce manuel.

## Position du code de la date

Le code de la date qui comporte également l'année de fabrication est imprimé sur le boîtier.

Exemple :  
2017 XX JN  
Année de fabrication



## Sécurité électrique



Votre chargeur est doublement isolé; il n'y a donc pas besoin de faire une mise à la terre. Vérifiez si la tension de l'alimentation électrique est compatible avec la tension indiquée sur la plaque signalétique. N'essayez jamais de remplacer le chargeur par une fiche électrique normale.

- Si le cordon d'alimentation est endommagé ou défectueux il doit être réparé par le fabriquant ou un réparateur BLACK+DECKER agréé afin d'éviter tout risque d'accident.

## Caractéristiques (Fig. A)

1. Interrupteur
2. Bouton de marche avant/arrière
3. Mandrin sans clé
4. Chargeur
5. Indicateur de charge et de capacité de batterie

## Avertissements et consignes de sécurité

### Batteries

- Assurez-vous ne pas démonter, ouvrir, faire tomber (abus mécanique), écraser, tordre, déformer, percer ou découper la batterie.
- Assurez-vous ne pas la modifier ou la refabriquer, ou encore y insérer des corps étrangers, l'immerger dans de l'eau ou l'exposer à d'autres liquides ou au feu, à la chaleur excessive, y compris les fers à souder, ou la mettre au micro-ondes.
- Utilisez uniquement la batterie avec un système de charge spécifié par le fabricant/fournisseur.
- Ne court-circuitez pas une batterie ou ne laissez aucun objet conducteur métallique toucher les deux bornes de la batterie en même temps.
- Mettez au rebut toute batterie usagée rapidement selon les instructions du fabricant/fournisseur.

- Une utilisation incorrecte de la batterie peut entraîner un incendie, une explosion, ou d'autres dangers.
- L'utilisation des batteries par les enfants doit être surveillée.

**Avertissement !** N'essayez jamais d'ouvrir la batterie, pour une raison quelconque. Si la batterie est fissurée ou endommagée, ne l'insérez pas dans le chargeur. Veillez à ne pas écraser, ni endommager ou laisser tomber la batterie.

N'utilisez pas une batterie ou un chargeur qui a reçu un coup violent, qui est tombé, ou a été écrasé ou endommagé de quelque façon que ce soit (c.-à-d., percé par un clou, frappé avec un marteau, piétiné). Les batteries endommagées doivent être renvoyées au centre de service pour être recyclées.

### Chargeur

1. Ce manuel contient des consignes de sécurité et de fonctionnement importantes.
2. Avant d'utiliser un chargeur de batterie, lisez toutes les instructions et tous les avertissements inscrits sur le chargeur de batterie et l'outil utilisant la batterie.

**Attention !** Pour réduire le risque de blessure, utilisez uniquement le chargeur fourni avec ce produit. Les batteries d'autres produits peuvent exploser et provoquer des blessures ou des dommages

3. N'exposez pas le chargeur à la pluie et à la neige.
4. L'utilisation d'accessoires non recommandés ou vendus par BLACK+DECKER peut entraîner un incendie, une électrocution, ou des blessures.
5. Pour réduire les risques de dommages à la fiche électrique et au cordon d'alimentation, tirez sur la fiche plutôt que sur le cordon pour débrancher le chargeur.
6. Assurez-vous que le cordon est placé de telle sorte qu'on ne puisse marcher ou trébucher dessus ou qu'il ne puisse être autrement endommagé ou contraint..

7. Une rallonge électrique ne doit pas être utilisée à moins que ce ne soit absolument nécessaire. L'utilisation d'une rallonge incorrecte pourrait entraîner un risque d'incendie, de choc électrique ou d'électrocution.
- a. Les cordons à deux fils peuvent être utilisés avec des rallonges à 2 ou 3 fils. Seules des rallonges à gaine ronde devraient être utilisées, et nous recommandons qu'elles soient certifiées par Underwriters Laboratories (U.L.). Si la rallonge doit être utilisée à l'extérieur, le cordon doit être prévu pour une utilisation extérieure. Tout cordon marqué pour un usage extérieur peut aussi être utilisé pour un travail fait à l'intérieur. Les lettres « W » ou « Wa » sur la gaine du cordon indiquent que l'alimentation est adaptée à une utilisation extérieure.
- b. Une rallonge doit avoir des fils de section suffisante (AWG) pour ne présenter aucun danger et pour éviter toute perte de puissance et surchauffe. Plus le calibre du fil est petit, plus la capacité du câble est grande, ce qui veut dire qu'un câble de calibre 16 a plus de capacité qu'un câble de calibre 18. Lorsque vous utilisez plus d'une rallonge pour obtenir la longueur de câble nécessaire, assurez-vous que chaque rallonge à la section minimale nécessaire.
8. Utilisez uniquement le chargeur fourni pour charger votre outil. L'utilisation de tout autre chargeur peut endommager l'outil ou créer une situation dangereuse.
9. Utilisez uniquement un chargeur lors de la charge.
10. N'ESSAYEZ PAS de réparer le chargeur vous-même. Aucune pièce à l'intérieur ne peut être entretenue ou réparée par l'utilisateur. Renvoyez le chargeur à n'importe quel centre de service Black+Decker.
11. NE JETEZ PAS la batterie dans le feu même si elle est gravement endommagée ou complètement usée. La batterie peut exploser au contact du feu. Des fumées et des matériaux toxiques

sont créés lorsque les batteries lithium-ion sont brûlées.

12. NE METTEZ PAS en marche le chargeur et n'utilisez pas la batterie dans un environnement explosif, ou en présence de liquide inflammable, de gaz, ou de poussières. Le fait d'insérer ou de retirer le chargeur de la perceuse peut enflammer la poussière ou les vapeurs.
3. Laissez l'outil en charge la première fois pendant 1 à 1,5 heure. Après la première charge, dans des conditions normales d'utilisation, votre outil doit être complètement chargé en 1 à 1,5 heure.



**Avertissement !** Évitez d'utiliser l'outil lorsqu'il est connecté au chargeur.



**Avertissement !** Risque d'incendie. Lorsque vous déconnectez le chargeur de l'outil, veillez à débrancher d'abord le chargeur de la prise, puis débranchez le cordon de charge de l'outil.

## Instructions d'utilisation

Détente et bouton d'inversion de marche (fig. C)

- La perceuse est allumée et éteinte en appuyant et en relâchant la détente (1).
- Un bouton de marche avant/arrière (2) permet de choisir le sens de rotation de l'outil et sert également de bouton de verrouillage.
- Pour sélectionner la rotation avant, relâchez la détente et enfoncez le bouton de marche avant/arrière vers la gauche.
- Pour sélectionner la rotation arrière, enfoncez le bouton de marche avant/arrière dans la direction opposée.

Remarque : La position centrale du bouton de marche avant/arrière verrouille l'outil en position d'arrêt. Lorsque vous changez la position du bouton de marche avant/arrière, assurez-vous que la détente est relâchée.

## Détente à vitesses variables (fig. A)

Pour démarrer l'outil, appuyez sur la détente (1). Pour arrêter l'outil, relâchez la détente. Votre outil est équipé d'un frein. Le mandrin s'arrêtera de tourner lorsque la détente est complètement relâchée.

La détente à vitesse variable vous permet de sélectionner la meilleure vitesse adaptée à une application particulière. Plus vous appuyez sur la détente, plus l'outil tourne vite. Pour une durée de vie maximale de l'outil, utilisez uniquement la vitesse variable pour démarrer les trous ou pour les vis.

**Remarque :** L'utilisation continue de la plage de vitesse variable n'est pas recommandée. Elle peut endommager la détente et devrait être évitée.

### **Mandrin à manchon unique sans clé (fig. D)**

Votre outil est doté d'un mandrin sans clé avec manchon rotatif pour pouvoir opérer le mandrin d'une main. Pour insérer un foret ou un autre accessoire, effectuez ces étapes:

1. Verrouillez la détente en position ARRÊT, comme décrit précédemment.
2. Saisissez le manchon noir du mandrin d'une main et utilisez l'autre main pour tenir fermement l'outil. Tournez le manchon dans le sens antihoraire suffisamment pour pouvoir insérer l'accessoire souhaité.
3. Insérez l'accessoire dans le mandrin et serrez-le fermement en tournant le manchon de serrage dans le sens horaire avec une main tout en maintenant l'outil avec l'autre. Votre outil est équipé d'un mécanisme de verrouillage automatique de la broche. Cela vous permet d'ouvrir et de fermer le mandrin d'une main.

### **Pour libérer l'accessoire, répétez l'étape 2 ci-dessus.**



**Avertissement !** N'essayez pas de serrer des forets (ou tout autre accessoire) en saisissant la partie avant du mandrin et en faisant

tourner l'outil. Vous pouvez endommager le mandrin et vous blesser durant le changement d'accessoires. Bloquez toujours la détente lors du changement d'accessoires.

Assurez-vous de bien serrer le mandrin en tenant le manchon de serrage avec une main et l'outil avec l'autre main.

### **Vissage**

Lors du vissage de vis, le bouton de marche avant/arrière doit être poussé vers la gauche. Utilisez la marche arrière (bouton poussé vers la droite) pour dévisser les vis. Lors du passage de la marche avant à la marche arrière, ou vice versa, relâchez toujours d'abord la détente.

### **Perçage**

- Utilisez uniquement des forets qui ne sont pas moussés.
- Soutenez et fixez correctement les éléments de travail, conformément aux « Consignes de sécurité ».

Utilisez l'équipement de sécurité requis et approprié, conformément aux « Consignes de sécurité ».

- Sécurisez l'aire de travail et maintenez-la dans cet état, conformément aux « Consignes de sécurité ».
- Faites fonctionner la perceuse très lentement, en appuyant légèrement sur la détente, jusqu'à ce que le trou soit suffisamment bien démarré pour que le foret ne glisse plus.
- Exercez une pression dans l'axe du foret. Utilisez suffisamment de pression pour que le foret morde, mais pas trop, pour ne pas faire caler le moteur ou faire dévier le foret.
- Tenez la perceuse fermement avec les deux mains pour l'empêcher de tourner.
- N'appuyez pas sur la détente si le foret est coincé afin de le débloquer et de continuer le perçage. Vous pourriez endommager la perceuse.
- Minimisez le grippage du foret en réduisant la pression quand le foret est sur le point de passer à travers le matériau et percez lentement la dernière partie du trou.
- Continuez à faire tourner le foret pendant que vous le retirez du trou percé. Cela réduira les chances de grippage.
- Assurez-vous que la détente permet d'allumer et d'éteindre la perceuse.

### Perçage dans le bois

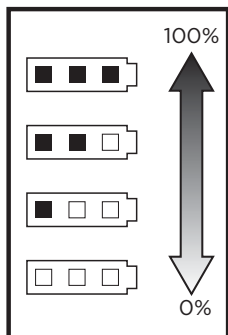
Les trous dans le bois peuvent être percés avec les mêmes forets hélicoïdaux utilisés pour le métal ou avec des forets plats. Assurez-vous d'utiliser des forets bien aiguisés et, durant le perçage, de les sortir fréquemment du trou de perçage afin d'éliminer les copeaux.

### Perçage dans le métal

Utilisez un lubrifiant de coupe lors du perçage de métaux. La fonte et le laiton sont des exceptions qui doivent être percés à sec. Le lubrifiant de coupe qui fonctionne le mieux est l'huile de coupe sulfurisée ou l'huile de saindoux.

### Indicateur de batterie

Lorsque vous appuyez sur la détente principale (1), l'indicateur de capacité de la batterie s'allume afin d'indiquer la capacité de la batterie.



### Dépannage

Problème	cause possible	solution possible
L'outil ne démarre pas.	La batterie n'est pas installée correctement. La batterie n'est pas chargée.	Vérifier l'installation de la batterie. Vérifier les conditions de charge de la batterie.
La batterie ne se charge pas..	La batterie n'est pas insérée dans le chargeur.	Insérer la batterie dans le chargeur jusqu'à ce que le témoin de charge s'allume.

	Le chargeur n'est pas branché au secteur.	Brancher le chargeur dans une prise secteur qui fonctionne. Se reporter à la section « Notes importantes sur la recharge » pour plus de détails.
L'outil s'arrête brusquement.	La température de l'air ambiante est trop chaude ou trop froide.  La batterie a atteint sa limite thermique maximale.  La batterie est déchargée. (Pour optimiser la durée de vie de la batterie, celle-ci a été conçue pour s'arrêter brusquement lorsque la charge est insuffisante.)	Déplacer le chargeur et la batterie dans un endroit où la température de l'air ambiante est inférieure à 4,5 C (40 F) ou supérieure à +40,5 °C (105 F).  Laisser la batterie refroidir.  Placer la batterie sur le chargeur et laisser charger.

### Entretien

Votre outil BLACK+DECKER a été conçu pour fonctionner pendant une longue période avec un minimum d'entretien. Un fonctionnement continu satisfaisant de l'outil dépend d'un entretien soigneux et régulier. Votre chargeur n'exige aucun entretien en dehors d'un nettoyage régulier.



**Avertissement !** Avant toute opération d'entretien de l'outil, retirez la batterie. Débranchez le chargeur avant de le nettoyer.

- Nettoyez régulièrement les fentes d'aération de votre outil et le chargeur à l'aide d'une brosse douce ou d'un chiffon sec.
- Nettoyez régulièrement le boîtier du moteur à l'aide d'un chiffon humide. N'utilisez pas d'agent nettoyant abrasif ou à base de solvant.
- Ouvrez régulièrement le mandrin et tapotez-le pour nettoyer toute poussière à l'intérieur.

**Important !** Pour assurer la FIABILITÉ et la SÉCURITÉ de l'outil, les réparations, l'entretien et le réglage (autres que ceux présentés dans le présent manuel) doivent être effectués par un centre de service autorisé ou du personnel qualifié en utilisant toujours les mêmes pièces de rechange. L'outil ne contient aucun élément réparable à l'intérieur.

## Accessoires

Les accessoires recommandés pour être utilisés avec votre outil sont disponibles auprès de votre revendeur local ou votre centre de service autorisé.



**Avertissement !** L'utilisation de tout accessoire non recommandé pour cet outil peut être dangereuse.

## Batteries



Vous pouvez recharger les batteries des appareils BLACK+DECKER plusieurs fois. À la fin de leur cycle de vie, éliminez les batteries avec tout le soin nécessaire pour la protection de notre environnement :

- Laissez la batterie se décharger complètement, puis retirez-la de l'outil.
- Les batteries NiCd, NiMH et Li-Ion sont recyclables. Remettez-les à l'agent de recyclage agréé ou au centre de recyclage local.

## Protection de l'environnement



Collecte séparée. Ce produit ne doit pas être mis au rebut avec les ordures ménagères normales.

Si vous décidez de remplacer ce produit BLACK+DECKER, ou si vous n'en avez plus l'utilité, ne le jetez pas avec vos déchets domestiques. Mettez-le dans un point de collecte séparée approprié.



Le tri sélectif de produits usés et d'emballages permet de recycler les matériaux et de les réutiliser. La réutilisation des matériaux recyclés aide à prévenir la pollution de l'environnement et à réduire la demande de matières premières.

Des réglementations locales pourront s'appliquer au tri sélectif de produits électriques ménagers, imposées par les sites d'élimination municipaux ou le revendeur lors de l'achat d'un nouveau produit.

BLACK+DECKER met à disposition un centre de collecte et de recyclage pour les produits BLACK+DECKER ayant atteint la fin de leur durée de service. Pour profiter de ce service, veuillez retourner votre outil à un agent de service agréé qui se chargera de la collecte.

Vous pouvez trouver l'agent de service agréé le plus proche en contactant votre agence BLACK+DECKER locale à l'adresse indiquée dans ce manuel. Autrement, une liste d'agents de réparation agréés BLACK+DECKER et des informations complètes concernant notre service après-vente, y compris les coordonnées, sont disponibles en ligne à l'adresse suivante : [www.2helpU.com](http://www.2helpU.com).

## Caractéristiques techniques

Caractéristiques	LD12
Tension	12V <b>---</b>
Régime à vide	De 0 à 900 tr/min
Mandrin	10 mm
Couple	8,0 Nm (70,8 po-lb)

Chargeur	
Courant de sortie	1 A
Temps de charge	1 à 1,5 heure

Batterie	
Tension	12V <b>---</b>
Capacité	1,5 Ah
Type	Lithium-ion intégré

## Garantie

BLACK+DECKER est convaincu de la qualité de ses produits et offre une garantie exceptionnelle. Cette déclaration de garantie s'ajoute et ne porte aucunement préjudice à vos droits statutaires.

Si un produit BLACK+DECKER se révèle défectueux en raison de défauts de matériaux ou de fabrication, ou d'un manque de conformité, dans les 24 mois à compter de la date d'achat, la garantie de BLACK+DECKER permet le remplacement de pièces défectueuses, la réparation ou l'échange de produits soumis à une usure normale afin de garantir un minimum d'inconvénients pour le client, sauf si:

- le produit a été utilisé à des fins commerciales, professionnelles ou de location;
- le produit a été utilisé de manière inadéquate ou avec négligence;
- le produit a subi des dommages provoqués par des objets, substances ou accidents étrangers;
- des tentatives de réparation ont été effectuées par des personnes autres que les agents de service agréés ou le personnel d'entretien de BLACK+DECKER.

Pour réclamer la garantie, vous devrez présenter une preuve d'achat au vendeur ou à un agent de réparation agréé. Vous pouvez trouver l'agent de service agréé le plus proche en contactant votre agence BLACK+DECKER locale à l'adresse indiquée dans ce manuel. Autrement, une liste d'agents de réparation agréés BLACK+DECKER et des informations complètes concernant notre service après-vente, y compris les coordonnées, sont disponibles en ligne à l'adresse suivante: [www.2helpU.com](http://www.2helpU.com).

## Назначение

Ваша дрель/шуруповёрт LD12 BLACK+DECKER™ предназначена для сверления отверстий и заворачивания саморезов в древесине, металле и пластике. Данный инструмент предназначен для профессионального и полупрофессионального использования.

**не возвращайте данный продукт в магазин.**

Сначала обратитесь в ближайший авторизованный сервисный центр BLACK+DECKER

## Инструкции По Технике Безопасности

### ОБЩИЕ ПРАВИЛА БЕЗОПАСНОСТИ



**Внимание! Внимательно прочтите все инструкции по использованию, правила безопасности, спецификации, а также рассмотрите все иллюстрации, входящие**

**в руководство по эксплуатации данного электроинструмента.** Несоблюдение всех перечисленных ниже инструкций может привести к поражению электрическим током, возникновению пожара и/или получению серьёзной травмы.

**Сохраните все инструкции по безопасности и руководство по эксплуатации для их дальнейшего использования.** Термин «Электроинструмент» во всех приведённых ниже указаниях относится к вашему сетевому (с кабелем) электроинструменту или аккумуляторному (беспроводному) электроинструменту.

#### 1. Безопасность рабочего места

- a. **Содержите рабочее место в чистоте и обеспечьте хорошее освещение. Плохое освещение рабочего места может привести к несчастному случаю.**
- b. **Не используйте электроинструменты, если есть опасность возгорания или взрыва, например, вблизи легко воспламеняющихся жидкостей, газов или пыли.** В процессе работы электроинструменты создают искровые разряды, которые могут воспламенить пыль или горючие пары.
- c. **Во время работы с электроинструментом не подпускайте близко детей или посторонних лиц.** Отвлечение внимания может вызвать у Вас потерю контроля над рабочим процессом.

#### 2. Электробезопасность

- a. **Вилка кабеля электроинструмента должна соответствовать штепсельной розетке. Ни в коем случае не видоизменяйте вилку электрического кабеля. Не используйте**

**соединительные штепсели-переходники, если в силовом кабеле электроинструмента есть провод заземления.** Использование оригинальной вилки кабеля и соответствующей ей штепсельной розетки уменьшает риск поражения электрическим током.

- b. **Во время работы с электроинструментом избегайте физического контакта с заземлёнными объектами, такими как трубопроводы, радиаторы отопления, электроплиты и холодильники.** Риск поражения электрическим током увеличивается, если Ваше тело заземлено.
  - c. **Не используйте электроинструмент под дождём или во влажной среде.** Попадание воды в электроинструмент увеличивает риск поражения электрическим током.
  - d. **Бережно обращайтесь с электрическим кабелем. Ни в коем случае не используйте кабель для переноски электроинструмента или для вытягивания его вилки из штепсельной розетки. Не подвергайте электрический кабель воздействию высоких температур и смазочных веществ; держите его в стороне от острых кромок и движущихся частей.** Повреждённый или запутанный кабель увеличивает риск поражения электрическим током
  - e. **При работе с электроинструментом на открытом воздухе используйте удлинительный кабель, предназначенный для наружных работ.** Использование кабеля, пригодного для работы на открытом воздухе, снижает риск поражения электрическим током.
  - f. **При необходимости работы с электроинструментом во влажной среде используйте источник питания, оборудованный устройством защитного отключения (УЗО).** Использование УЗО снижает риск поражения электрическим током. **Примечание:** Термин «устройство защитного отключения (УЗО)» может быть заменён на «аварийный прерыватель заземления» или «автоматический выключатель тока утечки».
- #### 3. Личная безопасность
- a. **При работе с электроинструментами будьте внимательны, следите за тем, что Вы делаете, и руководствуйтесь здравым смыслом. Не используйте электроинструмент, если Вы устали, а также находясь под действием алкоголя или понижающих реакцию лекарственных препаратов и других средств.** Малейшая неосторожность при работе с электроинструментами может привести к серьёзной травме.
  - b. **При работе используйте средства индивидуальной защиты. Всегда надевайте защитные очки.** Своевременное использование защитного снаряжения, а именно: пылезащитной маски, ботинок на нескользящей подошве,

защитного шлема или противошумовых наушников, значительно снизит риск получения травмы.

- c. Не допускайте непреднамеренного запуска.** Перед тем, как подключить электроинструмент к сети и/или аккумулятору, поднять или перенести его, убедитесь, что выключатель находится в положении «выключено». Не переносите электроинструмент, держа палец на пусковом выключателе, и не подключайте к сетевой розетке электроинструмент, выключатель которого установлен в положение «включено», это может привести к несчастному случаю.
- d. Перед включением электроинструмента снимите с него все регулировочные или гаечные ключи.** Регулировочный или гаечный ключ, оставленный закреплённым на вращающейся части электроинструмента, может стать причиной получения тяжёлой травмы.
- e. Работайте в устойчивой позе. Всегда твёрдо стойте на ногах, сохраняя равновесие.** Это позволит Вам не потерять контроль при работе электроинструментом в непредвиденной ситуации.
- f. Одевайтесь соответствующим образом. Во время работы не надевайте свободную одежду или украшения. Следите за тем, чтобы Ваши волосы или одежда находились в постоянном отдалении от движущихся частей инструмента.** Свободная одежда, украшения или длинные волосы могут попасть в движущиеся части инструмента.
- g. Если электроинструмент снабжён устройством сбора и удаления пыли, убедитесь, что данное устройство подключено и используется надлежащим образом.** Использование устройства пылеудаления значительно снижает риск возникновения несчастного случая, связанного с запыленностью рабочего пространства.
- h. Даже если Вы являетесь опытным пользователем и часто используете подобные инструменты, не позволяйте себе расслабляться и игнорировать правила безопасности при использовании инструментов.** Неосторожность и невнимательность при работе могут привести к тяжёлым травмам за доли секунды.
- 4. Использование электроинструментов и технический уход**
- a. Не перегружайте электроинструмент. Используйте Ваш инструмент по назначению.** Электроинструмент работает надёжно и безопасно только при соблюдении параметров, указанных в его технических характеристиках.
- b. Не используйте электроинструмент, если его выключатель не устанавливается в положение включения или выключения.** Электроинструмент с неисправным выключателем представляет опасность и подлежит ремонту.
- c. Отключайте электроинструмент от сетевой розетки и/или извлекайте аккумулятор (если имеется) перед регулировкой, заменой принадлежностей или при хранении электроинструмента.** Такие меры предосторожности снижают риск случайного включения электроинструмента.
- d. Храните неиспользуемые электроинструменты в недоступном для детей месте и не позволяйте лицам, не знакомым с электроинструментом или данными инструкциями, работать с электроинструментом.** Электроинструменты представляют опасность в руках неопытных пользователей.
- e. Регулярно проверяйте исправность электроинструмента и дополнительных принадлежностей. Проверяйте точность совмещения и легкость перемещения подвижных частей, целостность деталей и любых других элементов электроинструмента, воздействующих на его работу. Не используйте неисправный электроинструмент, пока он не будет полностью отремонтирован.** Большинство несчастных случаев являются следствием недостаточного технического ухода за электроинструментом.
- f. Следите за остротой заточки и чистотой режущих принадлежностей.** Принадлежности с острыми кромками избегают заклинивания и делают работу менее утомительной.
- g. Используйте электроинструмент, аксессуары и насадки в соответствии с данным Руководством по эксплуатации и с учётом рабочих условий и характера будущей работы.** Использование электроинструмента не по назначению может создать опасную ситуацию.
- h. Следите, чтобы рукоятки и поверхности захвата оставались сухими, чистыми и не содержали следов масла и консистентной смазки.** Скользкие рукоятки и поверхности захвата не обеспечивают безопасное обращение и управление инструментом в неожиданных ситуациях.
- 5. Использование аккумуляторных инструментов и технический уход**
- a. Заряжайте аккумулятор зарядным устройством марки, указанной производителем.** Зарядное устройство, которое подходит к одному типу аккумуляторов, может создать риск возгорания в случае его использования с аккумуляторами другого типа.



- b. Используйте электроинструменты только с разработанными специально для них аккумуляторами.** Использование аккумулятора какой-либо другой марки может привести к возникновению пожара и получению травмы.
- c. Держите не используемый аккумулятор подальше от металлических предметов, таких как скрепки, монеты, ключи, гвозди, шурупы, и других мелких металлических предметов, которые могут замкнуть контакты аккумулятора.** Короткое замыкание контактов аккумулятора может привести к получению ожогов или возникновению пожара.
- d. В критических ситуациях из аккумулятора может вытечь жидкость (электролит); избегайте контакта с кожей. Если жидкость попала на кожу, смойте её водой. Если жидкость попала в глаза, обращайтесь за медицинской помощью.** Жидкость, вытекающая из аккумулятора, может вызвать раздражение или ожоги.
- e. Не используйте повреждённые или модифицированные аккумуляторы и инструменты.** Повреждённые или модифицированные аккумуляторы нестабильны и непредсказуемы и могут стать причиной пожара, взрыва или получения травмы.
- f. Не подвергайте аккумулятор или инструмент воздействию огня или чрезвычайно высоких температур.** Воздействие огня или температуры выше +130°C может привести к взрыву аккумулятора.
- g. Следуйте всем инструкциям по зарядке и не заряжайте аккумулятор или инструмент, если окружающая температура выходит за пределы, обозначенные в инструкциях.** Несоблюдение процедуры зарядки или зарядка при окружающей температуре, выходящей за оговоренные пределы, может стать причиной повреждения аккумулятора и увеличивает риск возникновения пожара.
- 6. Техническое обслуживание**
- a. Ремонт Вашего электроинструмента должен производиться только квалифицированными специалистами с использованием идентичных запасных частей.** Это обеспечит безопасность Вашего электроинструмента в дальнейшей эксплуатации.
- b. Никогда не ремонтируйте самостоятельно повреждённые аккумуляторы.** Ремонт аккумуляторов должен производиться только производителем или в авторизованном сервисном центре.
- 7. Правила безопасности при сверлении**
- 1) Меры безопасности при выполнении всех операций**
- a. При сверлении с ударом всегда надевайте противошумовые наушники.** Воздействие шума может привести к потере слуха.
- b. Используйте дополнительную рукоятку (рукоятки).** Потеря контроля над инструментом может привести к получению тяжёлой травмы.
- c. Перед использованием правильно захватите инструмент.** Данный инструмент производит высокий выходной крутящий момент, и без правильного захвата существует риск потери контроля над инструментом и получения телесной травмы.
- d. Держите инструмент за изолированные ручки при выполнении операций, во время которых режущий инструмент может соприкасаться со скрытой проводкой или собственным кабелем.** Контакт насадки с находящимся под напряжением проводом делает не покрытые изоляцией металлические части электроинструмента также «живыми», что создаёт опасность поражения оператора электрическим током.
- 2) Меры предосторожности при использовании длинных свёрл**
- a. Никогда не работайте на скорости, превышающей максимальную скорость вращения сверла.** На более высоких скоростях сверло, скорее всего, согнётся, если будет свободно вращаться, не соприкасаясь с заготовкой, что приведёт к получению телесной травмы.
- b. Всегда начинайте сверление на низкой скорости, и прижав кончик сверла к поверхности заготовки.** На более высоких скоростях сверло, скорее всего, согнётся, если будет свободно вращаться, не соприкасаясь с заготовкой, что приведёт к получению телесной травмы.
- c. Оказывайте давление только на прямой линии с насадкой, и никогда не оказывайте чрезмерного давления.** Насадка может согнуться, что станет причиной её поломки или потери контроля над инструментом, что приведёт к получению телесной травмы.
- Держите инструмент за изолированные ручки при выполнении операций, во время которых крепежная деталь может соприкасаться со скрытой проводкой или собственным кабелем.** Контакт крепежного элемента с находящимся под напряжением проводом делает не покрытые изоляцией металлические части электроинструмента также «живыми», что создаёт опасность поражения оператора электрическим током.



### Дополнительные меры безопасности при работе с электроинструментами

**Внимание!** Дополнительные меры предосторожности при использовании дрелей/шуруповёртов

- Используйте струбины или другие приспособления для фиксации обрабатываемой детали, устанавливая их только на неподвижной поверхности. Если держать обрабатываемую деталь руками или с упором в собственное тело, то можно потерять контроль над инструментом или обрабатываемой деталью.
- Прежде чем сверлить отверстия в стенах, полах или потолках, проверьте наличие электропроводки и трубопроводов.
- Не дотрагивайтесь до наконечника сверла сразу же после окончания сверления, так как он может быть горячим.
- Данный инструмент не может использоваться людьми (включая детей) со сниженными физическими, сенсорными и умственными способностями или при отсутствии необходимого опыта или навыка, за исключением, если они выполняют работу под присмотром или получили инструкции относительно работы с этим инструментом от лица, отвечающего за их безопасность. Не позволяйте детям играть с инструментом.
- Назначение инструмента описывается в данном руководстве по эксплуатации. Использование любых принадлежностей или приспособлений, а также выполнение данным инструментом любых видов работ, не рекомендованных данным руководством по эксплуатации, может привести к несчастному случаю и/или повреждению личного имущества.

### Безопасность посторонних лиц

- Данный инструмент не может использоваться людьми (включая детей) со сниженными физическими, сенсорными и умственными способностями или при отсутствии необходимого опыта или навыка, за исключением, если они выполняют работу под присмотром или получили инструкции относительно работы с этим инструментом от лица, отвечающего за их безопасность.

- Не позволяйте детям играть с инструментом.

### Остаточные риски

При работе данным инструментом возможно возникновение дополнительных остаточных рисков, которые не вошли в описанные здесь правила техники безопасности. Эти риски могут возникнуть при неправильном или продолжительном использовании изделия и т.п.

Несмотря на соблюдение соответствующих инструкций по технике безопасности и использование предохранительных устройств, некоторые остаточные риски невозможно полностью исключить. К ним относятся:

- Травмы в результате касания вращающихся/двигающихся частей инструмента.
- Риск получения травмы во время смены деталей или насадок.
- Риск получения травмы, связанный с продолжительным использованием инструмента. При использовании инструмента в течение продолжительного периода времени делайте регулярные перерывы в работе.
- Ухудшение слуха.
- Ущерб здоровью в результате вдыхания пыли в процессе работы с инструментом (например, при обработке древесины, в особенности, дуба, бука и ДВП).

### Маркировка инструмента

Наклейка на вашем инструменте вместе с кодом даты может содержать следующие символы:



**Внимание!** Для снижения риска травмирования оператор должен прочитать эту инструкцию по эксплуатации.



Зарядное устройство предназначено только для использования внутри помещения.



Внимательно прочитайте всю инструкцию перед использованием электрического инструмента.

### Местоположение кода даты

Код даты, который также включает в себя год изготовления, отштампован на поверхности корпуса инструмента.

Пример:

2017 XX JN  
Год изготовления

## Электрическая безопасность



Ваше зарядное устройство имеет двойную изоляцию, и поэтому провод заземления ему не нужен. Всегда проверяйте, чтобы сетевое напряжение соответствовало значению, указанному в табличке с паспортными данными. Никогда не пытайтесь заменить вилку в блоке зарядного устройства обычной сетевой вилкой.

- В случае повреждения шнура питания, чтобы избежать возникновения опасных ситуаций, его замену должен выполнить производитель оборудования или уполномоченный сервисный центр BLACK+DECKER.

## Описание (Рис. А)

1. Курковый пусковой выключатель
2. Переключатель направления вращения (реверса)
3. Быстрозажимной патрон
4. Зарядное устройство
5. Индикатор зарядки и уровня заряда аккумулятора

## Правила безопасности и инструкции

### Аккумуляторы

- Не разбирайте и не открывайте, не роняйте (механическое повреждение), не разбивайте, не сгибайте и не деформируйте, не прокалывайте и не разрезайте.
- Не модифицируйте и не восстанавливайте, не пытайтесь вставить посторонние предметы в аккумулятор, не погружайте в воду или другие жидкости, не подвергайте воздействию огня, чрезмерного нагрева, включая паяльники, или не помещайте в микроволновую печь.
- Заряжайте аккумулятор только зарядным устройством марки, указанной производителем/поставщиком.
- Не допускайте короткого замыкания аккумулятора и не допускайте контакта металлических или токопроводящих предметов одновременно с обоими контактами аккумулятора.
- Проводите утилизацию использованных аккумуляторов в соответствии с инструкциями производителя/поставщика.
- Нецелевое использование аккумулятора может стать причиной возникновения пожара, взрыва или других опасных ситуаций.

- Использование аккумулятора детьми должно производиться под присмотром взрослых.



**Внимание!** Ни в коем случае не пытайтесь разобрать аккумулятор. Не вставляйте в зарядное устройство аккумулятор с треснувшим или повреждённым корпусом. Не разбивайте, не бросайте и не ломайте аккумулятор. Не используйте аккумуляторы или зарядные устройства, которые подверглись воздействию резкого удара, удара при падении, попали под тяжёлый предмет или были повреждены каким-либо другим образом (например, проткнуты гвоздём, попали под удар молотка или под ноги). Повреждённые аккумуляторы должны возвращаться в сервисный центр на переработку.

## Зарядное устройство

1. Данное руководство содержит важные инструкции по эксплуатации и технике безопасности для зарядных устройств.
2. Перед началом эксплуатации зарядного устройства прочтите все инструкции и ознакомьтесь с предупредительными символами на зарядном устройстве, аккумуляторе и продукте, работающем от аккумулятора.

**Предупреждение!** Для снижения риска получения травмы используйте зарядное устройство только с данным инструментом. Аккумуляторы других инструментов могут взорваться, что приведёт к получению травмы или повреждению зарядного устройства.

3. Не подвергайте зарядное устройство воздействию дождя или снега!
4. Использование дополнительных принадлежностей, не рекомендованных или не продаваемых BLACK+DECKER, может привести к возгоранию, поражению электрическим током или получению телесной травмы.
5. Для снижения риска повреждения электрической вилки или кабеля отключайте зарядное устройство от электросети, вынимая вилку из розетки, а не потянув за кабель!
6. Располагайте кабель таким образом, чтобы на него нельзя было наступить, споткнуться об него, или иным способом повредить или сильно натянуть!
7. Используйте удлинительный кабель только в случае крайней необходимости! Использование несоответствующего удлинительного кабеля может создать риск возникновения пожара, поражения электрическим током или смерти от электрического тока.

- a. С двухжильным кабелем могут использоваться двух- или трёхжильные удлинительные кабели. Следует использовать только удлинительные кабели с круглой оболочкой, и мы рекомендуем использовать кабели, входящие в список лаборатории по технике безопасности США Underwriters Laboratories (U.L.). Если удлинительный кабель предполагается использовать на открытом воздухе, кабель должен быть предназначенным для использования для наружных работ.

Любой из кабелей, имеющих маркировку «для наружных работ», также может использоваться и внутри помещений. Буквы «W» или «WA» на оболочке кабеля обозначают, что данный кабель подходит для использования вне помещения.

- b. Удлинительный кабель должен иметь правильных калибр провода или соответствовать американскому стандарту типоразмеров для обеспечения безопасности и предотвращения потери мощности и перегрева. Чем меньше калибр провода, тем выше ёмкость кабеля; например, кабель калибра 16 более ёмкий, чем кабель калибра 18. При использовании нескольких удлинительных кабелей, чтобы получить нужную общую длину кабеля, убедитесь, что каждый удлинительный кабель, по крайней мере, имеет минимальный калибр провода.
8. Для зарядки вашего инструмента используйте только зарядное устройство, входящее в комплект поставки инструмента. Использование любого другого зарядного устройства может повредить инструмент или создать опасную ситуацию.
9. При зарядке используйте только одно зарядное устройство.
10. НЕ ПЫТАЙТЕСЬ разобрать зарядное устройство. Внутри нет обслуживаемых пользователем деталей. Отнесите его в любой сервисный центр Black+Decker.
11. НЕ СЖИГАЙТЕ аккумулятор, даже если он сильно повреждён или полностью изношен. Аккумулятор в огне может взорваться. При горении ионно-литиевых аккумуляторов выделяются токсичные пары и частицы.
12. НЕ ЗАРЯЖАЙТЕ и не используйте аккумулятор во взрывоопасной атмосфере, например, в присутствии легко воспламеняющихся жидкостей,

газов или пыли. При установке или извлечении дрели из зарядного устройства пыль или газы могут воспламениться.

13. Если содержимое аккумулятора попало на кожу, немедленно промойте поражённый участок водой с мягким мылом. Если аккумуляторная жидкость попала в глаз, промойте открытый глаз в течение 3-х минут, пока не исчезнет раздражение. Если необходимо обратиться за медицинской помощью, медиков следует поставить в известность, что аккумуляторный электролит состоит из смеси жидкого органического карбоната и солей лития.



**Внимание!** Опасность получения ожога. Аккумуляторная жидкость может воспламениться при попадании искры или пламени.

### Важные примечания к зарядке

1. Впоследствии, при условии нормального использования, инструмент должен полностью заряжаться в течение 1-1,5 часов. Ваш инструмент был поставлен с производства в разряженном состоянии. Перед первым использованием он должен заряжаться не менее 1 часа.
2. Продолжительный срок службы и высокая производительность аккумулятора будет достигнута, если заряжать аккумулятор при температуре воздуха 18°- 24°C.
3. НЕ ЗАРЯЖАЙТЕ аккумулятор при температуре ниже +4,5°C или выше +40,5°C. Важно соблюдать данное условие, это предотвратит серьёзные повреждения аккумулятора.
4. В процессе зарядки зарядное устройство может слегка гудеть и нагреваться. Это вполне нормальное явление и не указывает на какую-либо неисправность.
5. Если аккумулятор не заряжается должным образом:
  - a. Проверьте выходной ток штепсельной розетки, подключив к ней лампу или любой другой прибор.
  - b. Убедитесь, что розетка соединена с выключателем освещения и отключается при выключении света.
  - c. Перенесите зарядное устройство и инструмент в место, где температура окружающей среды не ниже +4,5°C и не выше +40,5°C.

- Если розетка и температура окружающей среды в норме, но аккумулятор не заряжается должным образом, отнесите или отправьте инструмент и зарядное устройство в местный авторизованный сервисный центр BLACK+DECKER.
- Инструмент следует подзаряжать, если он не обеспечивает достаточную мощность для работ, которые ранее выполнялись легко и быстро. НЕ ИСПОЛЬЗУЙТЕ инструмент, если его аккумулятор находится в разряженном состоянии.
- Не допускайте попадания токопроводящих материалов, таких как тонкая стальная стружка, алюминиевая фольга и слой металлических частиц, и другие подобные материалы, в гнезда зарядного устройства. Всегда отключайте зарядное устройство от электросети, если в его гнезде нет аккумулятора. Отключайте зарядное устройство от электросети перед чисткой.
- Избегайте переохлаждения зарядного устройства и не погружайте его в воду или другие жидкости.

### Рекомендации по хранению

- Оптимальным местом для хранения является холодное и сухое место, вдали от прямых солнечных лучей и источников избыточного тепла или холода.
- Длительное хранение не влияет отрицательно на аккумулятор или зарядное устройство.

### Процедура зарядки (рис. В)

**Аккумуляторы вашего инструмента не заряжаются полностью на производстве. Перед тем как приступить к зарядке, полностью прочтите все инструкции по безопасности.**

Чтобы зарядить ваш инструмент, следуйте приведенным ниже указаниям:

- Вставьте вилку зарядного устройства в стандартную электрическую розетку.
- Вставьте штекер зарядного устройства (6), как показано на Рис. В. Светодиодный индикатор зарядки (5) будет гореть постоянно, 3 светодиода будут загораться по очереди от первого до третьего, и когда зарядка будет завершена, будут гореть все светодиоды.
- Перед первым использованием зарядите инструмент в течение 1-1,5 часов. Впоследствии, при условии нормального использования,

инструмент должен полностью заряжаться в течение 1-1,5 часов.



**Внимание!** Не используйте инструмент, подключённый к зарядному устройству.



**Внимание!** Опасность возникновения пожара. При отсоединении зарядного устройства от инструмента сначала извлеките вилку зарядного устройства из розетки, затем

отсоедините кабель зарядного устройства от инструмента.

### Инструкции по эксплуатации

#### Курковый пусковой выключатель и переключатель направления вращения (Рис. С)

- Данная дрель включается и выключается путём нажатия и отпускания куркового пускового выключателя (1).
- Переключатель направления вращения (2) устанавливает направление вращения, а также служит кнопкой блокировки.
- Для установки вращения вперёд, отпустите курковый выключатель и переведите переключатель направления вращения влево.
- Для установки реверса сдвиньте переключатель направления вращения в противоположном направлении.

**Примечание:** Кнопка переключателя, установленная в среднее положение, блокирует инструмент в состоянии «выключено». При изменении положения кнопки переключателя не забывайте отпускать курковый выключатель.

#### Курковый пусковой выключатель с регулировкой скорости (Рис. А)

Чтобы включить инструмент, нажмите на курковый пусковой выключатель (1). Для выключения инструмента отпустите курковый выключатель. Ваш инструмент оборудован тормозом. Патрон остановится только после того как курковый выключатель будет полностью отпущен. Курковый пусковой выключатель с переключателем скорости позволяет выбрать наиболее подходящую скорость для каждой отдельной операции. Увеличение скорости регулируется интенсивностью нажатия на курковый выключатель. В целях продления срока службы Вашего инструмента используйте максимальную скорость только на начальном этапе высверливания отверстий или заворачивания крепёжных элементов.

**ПРИМЕЧАНИЕ:** Не рекомендуется непрерывно использовать инструмент во всём диапазоне скоростей. Это может привести к повреждению пускового выключателя.

### Быстрозажимной патрон с одинарной муфтой (Рис. D)

Ваш инструмент оборудован быстрозажимным патроном с одной поворотной муфтой для лёгкой и быстрой смены насадок одной рукой. Чтобы вставить сверло или другую насадку, выполните следующие шаги:

1. Заблокируйте курковый пусковой выключатель в положение ВЫКЛ., как было описано выше.
2. Обхватите заднюю часть муфты патрона одной рукой, а другой рукой удерживайте инструмент. Поворачивайте муфту в направлении против часовой стрелки, пока она не сдвинется на расстояние, позволяющее вставить нужную насадку.
3. Вставьте насадку в патрон и надёжно затяните, поворачивая муфту патрона по часовой стрелке одной рукой и удерживая инструмент другой рукой. Ваш инструмент оборудован механизмом автоматической блокировки шпинделя. Данный механизм позволяет открывать и затягивать патрон одной рукой.

Чтобы извлечь насадку, повторите шаг 2.



**Внимание!** Не пытайтесь закрепить сверло (или какую-либо другую насадку), захватив переднюю часть патрона и одновременно включив инструмент. Это может привести к повреждению патрона и получению травмы. При смене насадок всегда блокируйте курковый выключатель в выключенном положении. Для надёжной фиксации насадки всегда затягивайте патрон, поворачивая муфту одной рукой и удерживая инструмент другой рукой.

### Заворачивание

Для заворачивания саморезов полностью вдвиньте переключатель направления вращения влево. Для выкручивания саморезов используйте реверс (вдвинув переключатель вправо). При переключении направления вращения всегда сначала отпускайте курковый пусковой выключатель.

### Сверление

- Всегда используйте только остро заточенные насадки.
- Поддерживайте и закрепляйте заготовку надлежащим образом, как описано в Инструкциях по технике безопасности.

- Используйте надлежащее и соответствующее защитное оборудование, как описано в Инструкциях по технике безопасности
- Обеспечьте безопасность рабочего места, как описано в Инструкциях по технике безопасности.
- Прилагая лёгкое давление на дрель, очень медленно начните сверление, пока высверливаемое отверстие не будет достаточного размера, чтобы из него не выскользнуло сверло.
- Прилагайте давление по прямой линии со сверлом. Давление должно быть достаточным для равномерного врезания сверла, но не слишком сильным, чтобы не вызвать останов двигателя или отклонение сверла.
- Крепко держите инструмент обеими руками, чтобы контролировать вращательное действие сверла.
- При внезапном останове не пытайтесь запустить двигатель многократным нажатием на курковый пусковой выключатель. Это может привести к повреждению дрели.
- Для сведения к минимуму риск внезапного останова ослабьте прилагаемое давление и медленно закончите высверливание отверстия.
- Не выключайте двигатель при извлечении сверла из высверленного отверстия. Это позволит снизить риск заклинивания сверла.
- Убедитесь, что инструмент включается и выключается при нажатии и отпускании пускового выключателя.

### Сверление в дереве

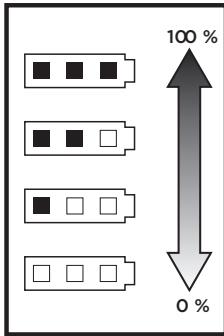
Для сверления в дереве можно также использовать спиральные свёрла для металла или перьевые свёрла для сверления древесины. Данные свёрла должны быть остро заточенными, и во время сверления их следует часто извлекать из отверстия для прочистки канавок от опилок.

### Сверление в металле

При сверлении металлов используйте смазочно-охлаждающую жидкость. Исключение составляют чугун и медь, которые нужно сверлить без смазки. Наиболее эффективные смазочные материалы – сульфированная СОЖ или лярдовое масло.

### Индикатор уровня заряда аккумулятора

При нажатии на курковый пусковой выключатель (1) загорится индикатор уровня заряда, отображая текущий уровень заряда аккумулятора.



### Возможные неисправности и способы их устранения

Проблема	возможная причина	возможное решение
Инструмент не включается.	Неправильно установлен аккумулятор Аккумулятор не заряжен.	Проверьте правильность установки аккумулятора. Аккумулятор не заряжен. Проверьте состояние заряда аккумулятора.
Аккумулятор не заряжается.	Аккумулятор не вставлен в зарядное устройство. Вилка зарядного устройства не подключена к розетке.	Вставьте аккумулятор в зарядное устройство и дождитесь загорания зелёного светодиода. Вставьте вилку зарядного устройства в рабочую розетку. Дополнительную информацию см. в разделе «Важные примечания к зарядке».
Инструмент внезапно отключается.	Слишком высокая или слишком низкая температура окружающей среды. Аккумулятор достиг своего максимального теплового предела. Аккумулятор разряжен. (Чтобы максимально продлить срок службы аккумулятора, его конструкция предусматривает автоматическое отключение при чрезмерном истощении заряда.)	Перенесите аккумулятор и зарядное устройство в место, где температура окружающей среды не ниже +4,5°C и не выше +40,5°C. Дайте аккумулятору полностью остыть. Установите аккумулятор в зарядное устройство и оставьте его заряжаться.

### Техническое обслуживание

Ваш инструмент BLACK+DECKER рассчитан на работу в

течение продолжительного времени при минимальном техническом обслуживании. Срок службы и надёжность инструмента увеличивается при правильном уходе и регулярной чистке. Ваше зарядное устройство не требует никакого дополнительного технического обслуживания, кроме регулярной чистки.



**Внимание!** Перед любыми видами работ по техническому обслуживанию извлекайте из инструмента аккумулятор. Перед чисткой зарядного устройства отключите его от источника питания.

- Регулярно очищайте вентиляционные отверстия вашего инструмента и зарядного устройства мягкой щёткой или сухой тканью.
- Регулярно очищайте корпус двигателя влажной тканью. Не используйте абразивные чистящие средства, а также чистящие средства на основе растворителей.
- Регулярно раскрывайте патрон и вытряхивайте из него всю накопившуюся пыль.

**Важно!** В целях обеспечения БЕЗОПАСНОСТИ и ДОЛГОВЕЧНОСТИ в использовании продукта ремонт, техническое обслуживание и регулировка (кроме перечисленных в данном руководстве по эксплуатации) должны производиться только в авторизованных сервисных центрах или других квалифицированных мастерских и только с использованием идентичных запасных частей. Внутри инструмента нет обслуживаемых пользователем деталей.

### Дополнительные принадлежности

Рекомендованные дополнительные принадлежности, используемые с Вашим инструментом, можно приобрести за дополнительную плату у местного дилера или в авторизованном сервисном центре.



**Внимание!** Использование любых принадлежностей, не рекомендованных к использованию с данным инструментом, может быть опасным.

### Аккумуляторы



Аккумуляторы BLACK+DECKER можно подзаряжать неограниченное количество раз. По окончании срока службы утилизируйте отработанные аккумуляторы безопасным для окружающей среды способом:

- Полностью разрядите аккумулятор, затем извлеките его из инструмента.
- Li-Ion, NiCd и NiMH аккумуляторы подлежат переработке. Сдайте их в любой авторизованный сервисный центр или в местный пункт переработки.

## Защита окружающей среды



Раздельный сбор отходов. Запрещается утилизировать этот продукт вместе с обычными бытовыми отходами.

Если вы решите, что ваше изделие BLACK+DECKER необходимо заменить, или если вы не будете его больше использовать, не утилизируйте его вместе с бытовыми отходами. Этот продукт подлежит раздельному сбору отходов.



Раздельный сбор использованных продуктов и упаковочных материалов позволяет производить их вторичную переработку с дальнейшим повторным использованием. Повторное использование материалов, прошедших вторичную переработку, снижает загрязнение окружающей среды и уменьшает потребность в сырьевых материалах.

Нормативные акты местных органов власти могут предусматривать сбор использованных электрических изделий отдельно от бытовых отходов, в муниципальных пунктах сбора отходов или в магазине при покупке нового изделия.

BLACK+DECKER предоставляет возможность для сбора и повторной переработки продуктов BLACK+DECKER после окончания срока их службы. Чтобы воспользоваться преимуществом этого сервиса, пожалуйста, отправьте ваш продукт любому уполномоченному представителю по ремонту, который собирает такие изделия от нашего имени.

Вы можете узнать адрес нашего ближайшего уполномоченного представителя по ремонту, позвонив в региональное представительство BLACK+DECKER, указанное в этой инструкции. Кроме того, список уполномоченных представителей по ремонту BLACK+DECKER, подробная информация о послепродажном обслуживании и контактные данные можно найти на сайте [www.2helpU.com](http://www.2helpU.com).

## Технические характеристики

LD12	
Напряжение	12В <b>===</b>
Число оборотов без нагрузки	0 - 900 об/мин.
Размер патрона	10 мм
Крутящий момент	8,0 Нм

Зарядное устройство	
Выходной ток	1 А
Время зарядки	1 - 1,5 ч.

Аккумулятор	
Напряжение	12В <b>===</b>
Ёмкость	1,5 Ач
Тип аккумулятора	Встроенный Li-Ion

- Максимальное начальное напряжение аккумулятора (измеренное без нагрузки) – 12 Вольт. Номинальное напряжение, измеренное под нагрузкой – 10,8 Вольт.





## Гарантийные условия

### Уважаемый покупатель!

1. Поздравляем Вас с покупкой высококачественного изделия Black+Decker и выражаем признательность за Ваш выбор.
2. При покупке изделия требуйте проверки его комплектности и исправности в Вашем присутствии, инструкцию по эксплуатации и заполненный гарантийный талон на русском языке.

В гарантийном талоне должны быть внесены: модель, дата продажи, серийный номер, дата производства инструмента; название, печать и подпись торговой организации. При отсутствии у Вас правильно заполненного гарантийного талона мы будем вынуждены отклонить Ваши претензии по качеству данного изделия.

3. Во избежание недоразумений убедительно просим Вас перед началом работы с изделием внимательно ознакомиться с инструкцией по его эксплуатации.

Правовой основой настоящих гарантийных условий является действующее Законодательство.

Гарантийный срок на данное изделие составляет 24 месяца и исчисляется со дня продажи. В случае устранения недостатков изделия, гарантийный срок продлевается на период его нахождения в ремонте.

Срок службы изделия - 5 лет со дня продажи.

4. В случае возникновения каких-либо проблем в процессе эксплуатации изделия рекомендуем Вам обращаться только в уполномоченные сервисные центры BLACK+DECKER, адреса и телефоны которых Вы сможете найти в гарантийном талоне, на сайте [www.2helpU.com](http://www.2helpU.com) или узнать в магазине. Наши сервисные станции - это не только квалифицированный ремонт, но и широкий ассортимент запчастей и принадлежностей.
5. Производитель рекомендует проводить периодическую проверку и техническое обслуживание изделия в уполномоченных сервисных центрах.

6. Наши гарантийные обязательства распространяются только на неисправности, выявленные в течение гарантийного срока и вызванные дефектами производства и \ или материалов.
7. Гарантийные обязательства не распространяются на неисправности изделия, возникшие в результате:
  - 7.1. Несоблюдения пользователем предписаний инструкции по эксплуатации изделия, применения изделия не по назначению, неправильному хранении, использования принадлежностей, расходных материалов и запчастей, не предусмотренных производителем.
  - 7.2. Механического повреждения (сколы, трещины и разрушения) внутренних и внешних деталей изделия, основных и вспомогательных рукояток, сетевого электрического кабеля, вызванного внешним ударным или любым иным воздействием.
  - 7.3. Попадания в вентиляционные отверстия и проникновение внутрь изделия посторонних предметов, материалов или веществ, не являющихся отходами, сопровождающими применение изделия по назначению, такими как: стружка, опилки, песок, и пр.
  - 7.4. Воздействие на изделие неблагоприятных атмосферных и иных внешних факторов, таких как дождь, снег, повышенная влажность, нагрев, агрессивные среды, несоответствие параметров питающей электросети, указанным на инструменте.
  - 7.5. Стихийного бедствия. Повреждение или утрата изделия, связанное с непредвиденными бедствиями, стихийными явлениями, в том числе вследствие действия непреодолимой силы (пожар, молния, потоп и другие природные явления), а так же вследствие перепадов напряжения в электросети и другими причинами, которые находятся вне контроля производителя.
8. Гарантийные условия не распространяются:
  - 8.1. На инструменты, подвергавшиеся вскрытию, ремонту или модификации вне уполномоченной сервисной центра.
  - 8.2. На детали и узлы, имеющие следы естественного износа, такие как: приводные ремни и колеса, угольные щетки, смазка, подшипники, зубчатое зацепление редукторов, резиновые уплотнения, сальники, направляющие ролики, муфты, выключатели, бойки, толкатели, стволы и т.п.
  - 8.3. на сменные части: патроны, цанги, зажимные гайки и фланцы, фильтры, аккумуляторные батареи, ножи, шлифовальные подошвы, цепи, звездочки, пыльные шины, защитные кожухи, пилки, абразивы, пыльные и абразивные диски, фрезы, сверла, буры и т.п.
  - 8.4. На неисправности, возникшие в результате перегрузки инструмента (как механической, так и электрической), повлекшей выход из строя одновременно двух и более деталей и узлов, таких как: ротора и статора, обеих обмоток статора, ведомой и ведущей шестерни редуктора и других узлов и деталей. К безусловным признакам перегрузки изделия относятся, помимо прочего: появление цветов побелости, деформация или оплавление деталей и узлов изделия, потемнение или обугливание изоляции проводов электродвигателя под воздействием высокой температуры.



Изготовитель

Блэк энд Деккер Холдингс ГмбХ  
Германия, 65510, Идштайн,  
ул. Блэк энд Деккер, 40

## Призначення

Дриль/шуруповерт BLACK+DECKER™ LD12 призначений для загвинчування шурупів та свердління дерева, металів та пластмас. Цей інструмент призначений для професійного та напівпрофесійного використання.

Перш ніж повернути цей виріб до магазину, спочатку зв'яжіться з регіональним представництвом BLACK+DECKER або зверніться до найближчого авторизованого сервісного центру.

## Інструкції з техніки безпеки

Загальні вказівки щодо безпечної роботи з електричним інструментом.



**Увага!** Необхідно ретельно ознайомитись із усіма попереджувальними знаками, вказівками щодо безпечної роботи, графічними матеріалами та технічними описами, що додаються до цього

електричного інструмента. Недотримання вказівок щодо безпечної роботи може призвести до ураження електричним струмом, пожежі та/або серйозних травм персоналу.

Зберігайте усі застереження та вказівки з техніки безпеки для подальшого використання.

Термін «електричний інструмент», що використовується у всіх застережливих написах та вказівках щодо техніки безпеки, наведених нижче, стосується електричного інструменту, що працює від мережі (зі шнуром живлення) або від акумуляторної батареї (без шнура живлення).

### 1. Вказівки з техніки безпеки на робочому місці

- a. **Робоче місце має бути приборане та добре освітлене.** Безлад або погане освітлення на робочому місці можуть призвести до нещасного випадку.
- b. **Не працюйте з електроінструментом в місці зберігання вибухонебезпечних матеріалів, наприклад, у присутності легкозаймистих рідин, газів або пилу.** Іскри, що виникають під час роботи електричного інструмента, можуть призвести до займання пилу чи випарів.
- c. **Забороняється перебування дітей та сторонніх осіб поблизу електричного інструменту під час роботи.** Відволікання може призвести до втрати контролю за роботою інструмента.

### 2. Електрична безпека

- a. **Вилка шнура живлення інструмента має відповідати мережевій розетці.** Забороняється будь-яким чином змінювати конструкцію вилки шнура живлення. Забороняється включати

заземлений (занулений) електричний інструмент до джерела струму через адаптер. Зміна конструкції вилки шнура живлення та невідповідність електричних вилки і розеток збільшує ризик ураження електричним струмом.

- b. **Не торкайтеся поверхонь заземлених чи занулених предметів, наприклад, труб, радіаторів, електроплит або холодильників.** Заземлення чи занулення тіла підвищує ризик ураження електричним струмом.
  - c. **Необхідно берегти електричні інструменти від дощу та впливу підвищеної вологості.** Попадання вологи всередину електричного інструмента підвищує ризик ураження електричним струмом.
  - d. **Поводитися зі шнуром живлення необхідно уважно і обережно.** Забороняється підіймати, тягнути електричний інструмент та виймати його вилку з розетки за шнур. Слід берегти електричний шнур від впливу джерел тепла, оливи, гострих країв та рухомих деталей. Пошкодження і заплутування шнурів живлення підвищує ризик ураження електричним струмом.
  - e. **Під час роботи з електричним інструментом за межами приміщень необхідно використовувати відповідний подовжувач.** Використання подовжувача, призначеного для роботи поза приміщеннями, знижує ризик ураження електричним струмом.
  - f. **Якщо електричним інструментом необхідно користуватись у вологому місці, слід використовувати пристрій захисного відключення (ПЗВ) електричної мережі.** Використання ПЗВ знижує ризик ураження електричним струмом. Примітка: Термін «пристрій захисного відключення» (ПЗВ) може бути замінений терміном «вимикач короткого замикання на землю» (BK33) або терміном «автоматичний вимикач витоку на землю» (ABB3).
- ### 3. Індивідуальна техніка безпеки
- a. **Під час роботи з електричним інструментом необхідно бути обачним, слідкувати за роботою що виконується, та керуватися здоровим глуздом.** Забороняється працювати з електричним інструментом у стані втоми чи під впливом наркотиків, алкоголю і лікарських препаратів. Миттєве ослаблення уваги може призвести до серйозної травми.
  - b. **Необхідно використовувати засоби індивідуального захисту.** Необхідно завжди використовувати засоби захисту очей. Використання у відповідних умовах засобів індивідуального захисту, наприклад пилозахисної маски, протиковзового захисного взуття, захисної каски або засобів захисту органів слуху, зменшує ризик отримання травми.

- c. Потрібно уникати ненавмисного вмикання інструмента.** Перш ніж під'єднати джерело живлення та/або акумулятор, або в разі, якщо необхідно підняти або перенести інструмент, переконайтеся, що його вимикач знаходиться у вимкненому положенні. Якщо тримати палець на вимикачі під час перенесення інструмента чи під'єднання увімкненого інструмента до мережі, це підвищує ризик нещасного випадку.
- d. Перш ніж увімкнути електричний інструмент, необхідно обов'язково вийняти з нього регульовальний чи гайковий ключ.** Якщо на рухомій деталі інструмента був залишений ключ, це може призвести до травми.
- e. Забороняється намагатися дотягнутися до важкодоступних місць.** Під час роботи необхідно міцно триматися на ногах і зберігати рівновагу. Це дозволяє краще контролювати електричний інструмент у непередбачуваних ситуаціях.
- f. Необхідно використовувати захисний одяг.** Забороняється одягати вільний одяг та прикраси. Волосся та одяг мають знаходитися на безпечній відстані від рухомих деталей інструменту. Вільний одяг, прикраси чи довге волосся можуть бути захоплені рухомими елементами.
- g. Якщо встановлені пристрої під'єднання засобів пиловловлювання та пилозбірників, необхідно перевіряти, щоб вони були під'єднані та використовувалися належним чином.** Використання цих пристроїв знижує рівень ризику, пов'язаного з наявністю пилу в повітрі.
- h. Досвід роботи з електричним інструментом та часте його використання не повинні ставати причиною легковажного ставлення до правил безпечної експлуатації чи їх ігнорування.** Легковажне ставлення навіть на частку секунди може призвести до серйозної травми.
- 4. Використання електричного інструменту та догляд за ним.**
- a. Під час роботи з електричним інструментом забороняється прикладати надмірні зусилля.** Дозволяється використовувати електричний інструмент тільки за призначенням. Правильно підібраний електричний інструмент дозволить виконати роботу краще і безпечніше на швидкості, на яку він розрахований.
- b. Експлуатацію інструменту із несправним вимикачем заборонено.** Електричний інструмент, роботою якого не можна керувати за допомогою вимикача, є небезпечним та підлягає обов'язковому ремонту.
- c. Перш ніж регулювати електричний інструмент, замінювати на ньому приладдя чи класти на зберігання, необхідно витягти вилку живлення з розетки та/або від'єднати від нього акумулятор.** Такий запобіжний захід безпеки знижує ризик ненавмисного увімкнення інструменту.
- d. Зберігати електричний інструмент, що на разі не використовується, необхідно в недоступному для дітей місці, а його використання особами, які не знайомі з ним або з цією інструкцією, заборонено.** Електричний інструмент є небезпечним в руках ненавченої людини.
- e. Технічне обслуговування електроінструмента та приладдя. Перевіряйте центрування та з'єднання рухомих деталей, наявність пошкоджених деталей і будь-які фактори, які можуть негативно позначитися на роботі електричного інструмента. У разі виявлення пошкодження електричний інструмент необхідно відремонтувати, перш ніж його використовувати.** Багато нещасних випадків трапляється через неналежне технічне обслуговування електричних інструментів.
- f. Різальні інструменти мають бути загостреними і чистими.** Різальний інструмент з гострими ріжучими кромками, який підтримується у належному робочому стані, менше застрягає, а керувати ним легше.
- g. Використовуйте електричний інструмент, приладдя, вставні різці тощо відповідно до цієї інструкції, враховуючи умови експлуатації та роботу, яку потрібно виконати.** Використання електричного інструмента не за призначенням може призвести до виникнення небезпечної ситуації.
- h. Необхідно забезпечувати відсутність бруду, вологи та залишків оливи та мастила на рукоятках та поверхнях утримання інструменту.** Слизькі рукоятки та поверхні утримання є джерелами небезпеки під час роботи з електричним інструментом та не дозволяють надійно керувати інструментом в нештатних ситуаціях.
- 5. Використання акумуляторної батареї та догляд за нею**
- a. Заряджання акумуляторної батареї повинне виконуватися тільки за допомогою того зарядного пристрою, який вказав виробник акумуляторної батареї.** Якщо зарядний пристрій, який підходить для одного типу акумулятора, використовувати для зарядки акумулятора іншого типу, це може призвести до виникнення пожежонебезпечної ситуації.
- b. Використовуйте електричний інструмент тільки з конкретно зазначеними акумуляторними батареями.** Використання будь-яких інших акумуляторних батарей підвищує ризик травмування та виникнення пожежонебезпечної ситуації.

- c. Якщо акумуляторна батарея не використовується, вона повинна зберігатися окремо від металевих предметів, таких як канцелярські скріпки, монети, ключі, цвяхи, шурупи та інші невеликі металеві предмети, які можуть замкрити клеми батареї. Коротке замикання клем акумуляторної батареї може призвести до опіків або пожежі.
- d. В умовах неправильної експлуатації рідкий електроліт може бути викинутий з акумуляторної батареї, тому слід остерігатися контакту з електролітом. Якщо стався випадковий контакт з рідким електролітом, промийте це місце водою. Якщо рідина потрапила в очі, необхідно також звернутися за медичною допомогою. Контакт з рідиною, викинутою з акумуляторної батареї, може призвести до подразнення або опіків.
- e. Забороняється використання акумуляторної батареї, якщо її було пошкоджено або її конструкцію — змінено. Пошкоджена або змінена акумуляторна батарея може викликати непередбачувані явища, наприклад пожежу, вибух або травму.
- f. Забороняється надавати акумуляторну батарею дії відкритого полум'я або нагріванню. Внаслідок дії відкритого полум'я або нагрівання вище за 130 °C може статися вибух. ПРИМІТКА: Значення температури «130 °C» відповідає значенню «265 °F».
- g. Виконуйте усі інструкції з заряджання та не заряджайте акумуляторну батарею або інструмент, якщо температура навколишнього середовища виходить за межі дозвального діапазону. Заряджання невідповідним шляхом або за межами дозвального діапазону може призвести до пошкодження акумуляторної батареї та підвищує ймовірність пожежі.
6. Обслуговування
- a. Обслуговувати електричний інструмент повинен тільки кваліфікований ремонтний персонал, і при цьому повинні використовуватися тільки оригінальні запасні частини. Це дозволить підтримувати безпечний стан електричного інструмента.
- b. Забороняється проводити ремонт пошкоджених акумуляторних батарей. Ремонт і обслуговування акумуляторних батарей повинні проводити кваліфіковані працівники авторизованого сервісного центру.
7. Загальні попередження з техніки безпеки під час використання дрilі
- 1) Вказівки щодо безпечного виконання всіх операцій
- a. Під час роботи з ударними дрilлями використовуйте засоби захисту органів слуху. Вплив шуму може призвести до погіршення слуху.
- b. Використовуйте допоміжні рукоятки. Втрата керованості інструменту може призвести до травмування.
- c. Перед початком роботи міцно візьміться за інструмент. Інструмент створює великий крутильний момент, тому, якщо не тримати його міцно під час роботи, це може призвести до втрати контролю та травми.
- d. Під час виконання робіт, коли ріжуча деталь електричного інструменту може стикатися з прихованою електропроводкою або із власним шнуром, інструмент необхідно тримати за діелектричну поверхню. В разі контакту ріжучої деталі з дротом, що знаходиться під напругою, під напругу також можуть потрапити металеві деталі електричного інструмента, внаслідок чого виникне небезпека ураження оператора електричним струмом.
- 2) Інструкції з техніки безпеки під час використання довгих свердел
- a. Забороняється перевищувати номінальну швидкість обертання, на яку розраховане свердло. В разі перевищення швидкості обертання в разі відсутності контакту з деталлю свердло може зігнуватися та спричинити травму.
- b. Завжди починайте свердління на малій швидкості та з забезпеченням контакту між свердлом та деталлю. В разі перевищення швидкості обертання в разі відсутності контакту з деталлю свердло може зігнуватися та спричинити травму.
- c. Прикладати силу необхідно тільки вздовж осі свердла без застосування надмірних зусиль. Внаслідок прикладання надмірних зусиль свердло може зігнуватися, що спричинить втрату керованості та травму.
- Під час виконання робіт, якщо патрон електричного інструменту може стикатися з прихованою електропроводкою, інструмент необхідно тримати за діелектричну поверхню. При контактi кріпильної деталі з проводом під напругою, під напругу можуть потрапити металеві деталі електричного інструменту, внаслідок чого виникає небезпека ураження оператора електричним струмом.



**Додаткові застереження з техніки безпеки при роботі з електричним інструментом**

**Увага!** Додаткові вказівки щодо безпечної роботи з дрилем/шурупвертом.

- Закріпіть робочу деталь на стійкій основі затискачами або іншим зручним і практичним способом. Якщо тримати деталь руками або притискати її до себе, вона буде незакріпленою, що може призвести до втрати контролю за роботою інструмента.
- Перед виконанням свердління стін, підлог і стель перевіряйте розташування електропроводки і труб.
- Не торкайтеся наконечника свердла дрилі після свердління, оскільки він може бути гарячим.
- Цей інструмент не призначений для використання особами (включаючи дітей) з обмеженими фізичними, сенсорними або розумовими здібностями або особами, у яких відсутній необхідний досвід і знання, крім випадків, коли вони знаходяться під наглядом і отримали належні інструкції по роботі з інструментом від особи, відповідальної за їхню безпеку. Щоб діти не гралися з інструментом, вони повинні знаходитися під наглядом.
- Призначення інструменту описане в цій інструкції з експлуатації. Використання будь-якого приладдя і додаткових пристосувань разом з цим інструментом або використання інструменту в цілях, які не рекомендовані в цій інструкції, може призвести до виникнення ризику травмування персоналу та пошкодження майна.

## Безпека інших осіб

- Цей інструмент не призначений для використання особами (включаючи дітей) з обмеженими фізичними, сенсорними або розумовими здібностями або особами, у яких відсутній необхідний досвід і знання, крім випадків, коли вони знаходяться під наглядом і отримали належні вказівки по роботі з інструментом від особи, відповідальної за їхню безпеку.
- Щоб діти не гралися з інструментом, вони повинні знаходитися під наглядом.

## Залишковий ризик

Додатковий залишковий ризик може виникнути у випадках використання інструменту, які можуть бути не враховані в перерахованих вказівках щодо безпечної роботи. Така небезпека може виникати в разі неправильного або тривалого використання тощо.

Навіть за умов дотримання всіх відповідних правил техніки безпеки та використанні захисних пристроїв, неможливо повністю усунути залишковий ризик. Серед них:

- травми, отримані внаслідок торкання обертових і рухомих деталей;
- травми, отримані під час заміни деталей, ножів та приладдя;

- травми, отримані внаслідок тривалого використання інструменту. В разі тривалого використання інструменту необхідно робити регулярні перерви в роботі;
- погіршення слуху;
- Погіршення здоров'я, викликане вдиханням пилу, що з'являється під час роботи інструменту (наприклад, під час роботи з деревом, особливо з дубом, буком або ДВП).

## Наклейки на інструменті

Наклейка на вашому інструменті може містити наступні символи.



**Увага!** Для зниження ризику травмування оператор повинен прочитати цю інструкцію з експлуатації.



Зарядний пристрій призначений тільки для використання всередині приміщення.



Уважно прочитайте всю інструкцію перед використанням електричного інструменту.

## Положення штрих-коду з датою

Штрих-код з датою, який також включає рік виготовлення, надрукований на корпусі.  
Приклад:

2017 XX JN  
Рік виготовленн

## Електрична безпека



Ваш зарядний пристрій має подвійну ізоляцію, і тому дріт заземлення йому не потрібен. Завжди перевіряйте, щоб мережева напруга відповідала значенню, зазначеному в таблиці з паспортними даними. Ніколи не намагайтеся замінити вилку в блоці зарядного пристрою звичайною мережевою вилкою.

- У разі пошкодження кабелю живлення, щоб уникнути виникнення небезпечних ситуацій, його заміну повинен виконати виробник обладнання або уповноважений сервісний центр BLACK+DECKER.

## Функції (рис. А)

1. Перемикач
2. Кнопка прямого/зворотного напрямку обертання
3. Безключовий затискний патрон
4. Зарядний пристрій
5. Індикатор заряду

## Акумуляторні батареї

- забороняється розбирати, завдавати механічних ушкоджень, бити, згинати, протикати або будь-яким іншим чином порушувати цілісність інструменту;
- забороняється змінювати конструкцію, переробляти, намагатися ввести всередину будь-які сторонні предмети всередину акумуляторної батареї, занурювати її або піддавати впливу води або інших рідин, полум'я, джерел нагрівання, у тому числі паяльників, а також впливу випромінювання мікрохвильових печей;
- використовуйте акумуляторну батарею тільки разом з зарядним пристроєм, рекомендованим виробником або постачальником;
- забороняється замикати клеми акумуляторної батареї або дозволяти металевим або іншим предметам, що проводять струм, торкатися обох клем акумуляторної батареї одночасно;
- утилізацію використаних акумуляторних батарей потрібно виконувати відповідно до вказівок виробника або постачальника;
- неналежне використання акумуляторної батареї може призвести до пожежі, вибуху або іншої небезпечної ситуації;
- під час використання акумуляторної батареї дітьми необхідно уважно стежити за ними.



**Увага!** За будь-якої причини не намагайтеся розібрати акумуляторну батарею. Якщо акумуляторна батарея тріснута або пошкоджена, забороняється її заряджати.

Забороняється будь-яким чином пошкоджувати акумуляторну батарею. Забороняється використовувати акумуляторну батарею, яка зазнала удару, падіння, через яку переїхало колесо або було пошкоджено будь-яким іншим чином (наприклад, пробито цвяхом, ударено молотком, на яку наступили і т.і.). Пошкоджені акумуляторні батареї потрібно повернути до сервісного центру на переробку.

## Зарядний пристрій

1. Ця інструкція містить важливі вказівки з експлуатації та техніки безпеки.
2. Перед використанням зарядного пристрою необхідно ознайомитись із усіма вказівками та попередженнями щодо зарядного пристрою та інструменту, що використовує акумуляторні батареї.

**Увага!** Щоб уникнути травми, використовуйте зарядний пристрій лише з акумуляторними батареями тільки для цього інструменту. Акумуляторні батареї від інших інструментів та пристроїв можуть вибухнути, спричинивши травму та пошкодження майна.

3. Зарядний пристрій не повинен піддаватися впливу дощу або снігу.
4. Використання устаткування, окрім рекомендованого або реалізованого фірмою BLACK+DECKER, може спричинити пожежу, ураження електричним струмом або іншу травму.
5. Для зменшення ризику пошкодження електричної вилки або кабелю необхідно від'єднувати шнур зарядного пристрою, тримаючи за корпус вилки, а не за кабель.
6. Розташуйте шнур живлення таким чином, щоб не наступати на нього, не переїжджати його та не піддавати його іншим механічним навантаженням та пошкодженням.
7. Шнур-подовжувач потрібно використовувати тільки в разі крайньої необхідності. Використання невідповідного подовжувача може призвести до пожежі, ураження електричним струмом або смерті від нього.
  - a. Двожильні шнури потрібно використовувати з двожильними або трьохжильними подовжувачами. Необхідно використовувати лише подовжувачі з круглою ізоляцією, і рекомендується, щоб подовжувач був схвалений Underwriters Laboratories (U.L.). Якщо необхідно використовувати подовжувач за межами приміщення, він повинен бути призначений для такого використання. Для використання всередині приміщень дозволяється використовувати подовжувач, призначений для використання за межами приміщень.
  - b. Поперечний переріз дротів подовжувального кабелю повинен мати відповідний для безпечного використання діаметр, а також запобігати втраті потужності та перегріванню. Якщо кабель має маркування відповідно до американського стандарту калібрів дротів, менше значення відповідає більшому поперечному перерізу, тобто, наприклад дріт калібру (gauge) 16 більший за дріт калібру 18. Якщо для досягнення потрібної довжини використовується більше за один подовжувач, необхідно, щоб кожна подовжувальна секція мала достатній діаметр перерізу дротів.
8. Під час заряджання інструменту використовуйте тільки зарядний пристрій з комплекту. Використання будь-якого іншого зарядного пристрою може спричинити пошкодження інструменту або небезпечну ситуацію.
9. Під час заряджання використовуйте тільки один зарядний пристрій.

10. ЗАБОРОНЯЄТЬСЯ відкривати корпус зарядного пристрою. Всередині нього немає деталей, призначених для обслуговування користувачем. Поверніть в будь-який сервісний центр Black+Decker.
  11. ЗАБОРОНЯЄТЬСЯ спалювати акумуляторну батарею навіть після того, як її було сильно пошкоджено або її ресурс було повністю вичерпано. Під впливом відкритого полум'я акумуляторна батарея може вибухнути. Під час спалювання літій-іонної акумуляторної батареї утворюються токсичні гази та речовини.
  12. ЗАБОРОНЯЄТЬСЯ заряджати акумуляторну батарею у вибухонебезпечному середовищі, наприклад, в умовах наявності легкозаймистих рідин, газів чи пилу. Під'єднання або від'єднання зарядного пристрою може спричинити займання пилу або газів.
  13. В разі контакту вмісту акумуляторної батареї зі шкірою необхідно миттєво промити уражену ділянку мильним розчином. Якщо рідина, що міститься всередині акумуляторної батареї, потрапить в очі, необхідно промивати відчинені очі водою протягом трьох хвилин або доки не зменшиться відчуття подразнення. Якщо потрібний медичний догляд, важливо знати, що електроліт, що міститься всередині акумуляторної батареї, складається з рідких розчинів органічних карбонатів та солей літію.
- a. перевірте струм в розетці, під'єднавши до неї лампу або інший прилад;
  - b. перевірте, чи з'єднана розетка з вимикачем світла, який відключає живлення, коли ви вимикаєте світло;
  - c. помістіть зарядний пристрій з інструментом в середовище з температурою повітря від 40°F (4,5°C) до 105°F (+40,5°C).
  - d. Якщо в розетці є струм, а температура відповідає потрібним значенням, але акумуляторна батарея все ж не заряджається належним чином, віднесіть або відправте інструмент та зарядний пристрій в місцевий сервісний центр BLACK+DECKER.
6. Якщо акумуляторна батарея не забезпечує достатню потужність для виконання робіт, на які раніше вистачало потужності, її слід дозарядити. ЗАБОРОНЯЄТЬСЯ ПРОДОВЖУВАТИ експлуатацію виробу, якщо акумуляторна батарея вичерпала свій ресурс.
  7. Необхідно запобігати потраплянню сторонніх речовин, що проводять електричний струм, в тому числі металевих дротів, сталевого пилу, алюмінієвої фольги або будь-яких інших металевих часток, всередину отворів в корпусі зарядного пристрою. Якщо до зарядного пристрою не під'єднана батарея, його необхідно від'єднувати від мережі живлення. Перед початком чищення треба також від'єднувати зарядний пристрій від мережі.
  8. Забороняється заморожувати або занурювати зарядний пристрій у будь-яку рідину.



**Обережно!** Небезпека отримання опіків. Рідина всередині акумуляторної батареї може зайнятися від іскри або відкритого полум'я.

## Важливі примітки щодо заряджання

1. Після використання потрібно повністю зарядити інструмент протягом 1-1,5 годин. Інструмент постачається в розрядженому стані. Перед першим використанням потрібно зарядити акумуляторну батарею протягом щонайменше 1 години.
2. Для продовження строку служби та досягнення оптимальних експлуатаційних характеристик заряджайте акумуляторну батарею за температури від 65°F до 75°F (18°C - 24°C).
3. ЗАБОРОНЯЄТЬСЯ заряджати акумуляторну батарею за температури повітря нижче 40°F (4,5°C) і вище за 105°F (+40,5°C). Це захистить акумуляторну батарею від серйозних пошкоджень.
4. Зарядний пристрій під час зарядки може гудіти та нагріватися. Це нормальне явище і не вказує на наявність проблеми.
5. Якщо акумуляторна батарея не заряджається належним чином:

## Рекомендації зі зберігання

1. Рекомендується зберігати в прохолодному сухому місці без впливу прямих сонячних променів, а також занадто високих та занадто низьких температур.
2. Довгострокове зберігання не впливає на працездатність акумуляторної батареї або зарядного пристрою.

## Процедура заряджання (рис. В)

Акумуляторні батареї не заряджені виробником до максимального заряду. Перед початком заряджання ознайомтесь із Інструкцією з техніки безпеки.

Перед заряджанням інструменту виконайте наступні дії.

1. Під'єднайте зарядний пристрій до стандартної електричної розетки.
2. Вставте вилку зарядного пристрою (6), як показано на Рис. В. Світлодіодний індикатор заряду (5) під час заряджання горить безперервно, 3 світлодіодні індикатори вмикаються по черзі в процесі заряду, і коли заряджання буде завершено, будуть горіти усі світлодіодні індикатори.

3. Первинне зарядження триває від 1 до 1,5 годин. Після завершення первинного зарядження інструмент заряджається до повного заряду ще від 1 до 1,5 годин.



**Увага!** Забороняється використовувати інструмент, коли він підключений до зарядного пристрою.



**Обережно!** Небезпека пожежі. Під час від'єднання пристрою від інструменту необхідно спочатку від'єднати пристрій від розетки, а потім шнур зарядного пристрою від інструменту.

## Інструкція з експлуатації

### Пусковий вимикач і перемикач напрямку обертання (Рис. С)

- Щоб увімкнути або вимкнути дріль, відповідно натисніть та відпустіть пусковий вимикач (1).
- Перемикач напрямку обертання (2) визначає напрямок обертання, а також виконує функцію кнопки блокування.
- Щоб вибрати прямий напрямок обертання, відпустіть пусковий вимикач і переведіть кнопку вибору напрямку обертання у ліве положення.
- Щоб вибрати зворотний напрямок обертання, переведіть кнопку вибору напрямку обертання у протилежне положення.

**Примітка:** Центральне положення кнопки напрямку обертання блокує інструмент у вимкненому положенні. Під час зміни положення перемикача напрямку обертання необхідно, щоб пусковий вимикач був відпущений.

### Регулятор швидкості обертання на пусковому вимикачі (Рис. А)

Щоб увімкнути інструмент, натисніть вимикач (1). Щоб вимкнути інструмент, відпустіть вимикач. Інструмент обладнаний гальмом. Коли пусковий вимикач буде повністю відпущений, обертальний рух патрону припиниться. Регулятор швидкості дозволяє обирати потрібну швидкість обертання, що відповідає умовам експлуатації. Що сильніше натискати на кнопку, то швидше буде обертатися патрон. Для максимального подовження строку служби інструменту користуйтеся повільним обертанням тільки на початку та наприкінці операції свердління.

**Примітка.** Не рекомендується постійно змінювати швидкість роботи інструменту. Це може спричинити пошкодження вимикача, тому цього потрібно уникати.

### Затискний патрон, що не потребує ключа (Рис. D)

Цей інструмент обладнаний затискним патроном, що не

потребує ключа, для забезпечення можливості затискання свердла або битки в патроні однією рукою. Щоб встановити свердло або інший інструмент, виконайте такі дії.

1. Заблокуйте пусковий вимикач в положенні «Вимкнено» згідно з вищенаведеними вказівками.
2. Візьміться рукою за чорну втулку патрону, а іншою рукою міцно тримайте інструмент. Обертайте втулку проти годинникової стрілки, доки затискні кулачки не розійдуться достатньо для проходження свердла або битки.
3. Вставте свердло або битку в патрон та надійно затисніть його, обертаючи чорну втулку за годинниковою стрілкою, одночасно міцно тримаючи інструмент іншою рукою. Цей інструмент обладнаний механізмом автоматичного блокування шпинделю. Він дозволяє відчиняти та зачиняти патрон однією рукою.

Щоб виїняти свердло або битку з патрону, повторіть крок 2, наведений вище.



**Увага!** Не намагайтеся затягнути або послабити свердло (битку) шляхом тримання патрона і вмикання інструмента. Це може призвести до пошкодження інструменту та травми. Під час затискання свердла або битки в патроні завжди блокуйте пусковий вимикач. Затискання свердла в патроні виконуйте однією рукою, одночасно міцно тримаючи іншою корпус інструменту.

### Функція шурупверта

Для закручування гвинтів перемикач напрямків обертання повинен бути натиснутий в ліву сторону. Для викручування гвинтів перемикач напрямків обертання повинен бути натиснутий в праву сторону (зворотне обертання). Перш, ніж перемикачі напрямку обертання, обов'язково відпустіть пусковий вимикач.

### Функція дрилі

- Використовуйте лише гострі свердла.
- Забезпечте належну підтримку та фіксацію робочої деталі, як це вказано в Правилах та вказівках з техніки безпеки.
- Використовуйте належне й необхідне захисне обладнання, як це вказано в Правилах та вказівках з техніки безпеки.
- Забезпечте належне обладнання місця виконання робіт, як це вказано в Правилах та вказівках з техніки безпеки.
- Починайте свердління з малих обертів та слабкого натискання, доки отвір не буде розсвердлений достатньо, щоб свердло не вислизало з нього.



- Прикладайте зусилля вздовж осі обертання свердла. Застосовуйте достатній тиск для свердління, але не настільки, щоб двигун зупинився або свердло змістилося.
- Міцно утримуйте дріль обома руками, щоб контролювати її обертання.
- **НЕ НАМАГАЙТЕСЯ ЗВІЛЬНИТИ ЗАТИСНЕНЕ СВЕРДЛО ШЛЯХОМ ВМИКАННЯ/ВИМИКАННЯ ДРИЛЮ!** Це може призвести до пошкодження дрилі!
- Щоб запобігти затисненню свердла наприкінці наскрізного свердління, зменшуйте тиск та швидкість перед виходом свердла з протилежної сторони отвору.
- Не зупиняйте свердло при витяганні його з просвердленого отвору. Це допоможе уникнути його затиснення.
- Переконайтеся, що вимикач вмикає і вимикає дріль.

### Свердління деревини

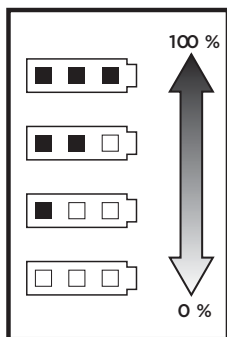
Отвори в деревині можна робити спіральними свердлами для металу або перовими свердлами. Свердла мають бути гострими. Під час свердління свердло слід часто витягати, щоб усунути стружку.

### Свердління металу

Використовуйте змащувально-охолоджувальну рідину при свердлінні металів. Виняток становлять чавун і латунь, які слід свердлити сухими. Рекомендується застосовувати сульфатовані змащувально-охолоджувальні рідини або мастила.

### Індикатор заряду акумуляторної батареї

Під час натискання кнопки увімкнення (1) вмикається індикатор кількості заряду, що вказує стан акумуляторної батареї.



### Усунення несправностей

ПРОБЛЕМА	МОЖЛИВА ПРИЧИНА	МОЖЛИВЕ РІШЕННЯ
Інструмент не вмикається..	Акумуляторна батарея встановлена неправильно  Акумуляторна батарея не заряджена.	Перевірити правильність встановлення акумуляторної батареї.  Перевірити заряд акумуляторної батареї.
Акумуляторна батарея не заряджається.	Акумуляторна батарея не вставлена у зарядний пристрій належним чином.  Зарядний пристрій не підключений до джерела живлення.	Вставте акумуляторну батарею в зарядний пристрій правильно, щоб засвітився світлодіод  Вставте вилку в розетку, що має струм. Докладніше див. «Бажливі примітки щодо заряджання».
Інструмент різко вимикається.	Температура навколишнього середовища занадто висока або занадто низька.  Акумуляторна батарея досягла граничної температури.  Акумуляторна батарея розряджена. Акумуляторна батарея вимикається автоматично в разі розрядження задля максимального продовження терміну служби.	Помістіть зарядний пристрій у середовище, де температура повітря складає від 40 °F (4,5°C) до 105 °F (+40,5°C).  Дайте акумуляторній батареї вистигнути.  Зарядіть акумуляторну батарею за допомогою зарядного пристрою.

### Технічне обслуговування

Конструкція вашого інструменту BLACK+DECKER розрахована на роботу протягом тривалого періоду часу за мінімального технічного обслуговування. Тривала задовільна робота інструменту залежить від належного догляду та регулярного чищення. Крім періодичного чищення, ваш зарядний пристрій не вимагає інших операцій технічного обслуговування.



**Увага!** Перед виконанням будь-яких дій з технічного обслуговування інструменту, дістаньте з нього акумуляторну батарею. Перед проведенням чищення зарядного пристрою вийміть його штепсельну вилку з розетки.

- Регулярно очищуйте вентиляційні прорізи в інструменті і зарядному пристрої за допомогою м'якої щіточки або сухої тканини.

- Необхідно регулярно очищувати корпус двигуна за допомогою вологої тканини. Забороняється використовувати для очищення абразивні матеріали та засоби очищення на основі розчинників.
- Регулярно розкривайте і вибивайте затиснений патрон для видалення пилу з його внутрішньої частини.

**Важливо!** Щоб гарантувати БЕЗПЕКУ та НАДІЙНІСТЬ інструмента, ремонт, обслуговування та регулювання (окрім описаних в цій інструкції) повинні виконувати авторизовані сервісні центри чи інші кваліфіковані організації. Для виконання цих робіт обов'язково слід використовувати ідентичні запасні частини. Виріб не містить деталей, призначених для обслуговування користувачем.

### Аксесуари

Придбати аксесуари для цього інструменту можливо окремо у вашого місцевого дилера або в авторизованому сервісному центрі.



**Увага!** Використання будь-яких сторонніх аксесуарів на цьому інструменті не рекомендується, тому що це підвищує рівень небезпеки.

### Акумуляторні батареї



Акумуляторні батареї BLACK+DECKER можна перезаряджати багато разів. Після завершення терміну служби виконайте утилізацію акумуляторної батареї відповідно до екологічних норм:

- Коли акумуляторна батарея повністю виробить свій ресурс, дістаньте її з інструменту.
- NiCd, NiMH і літій-іонні акумуляторні батареї придатні для вторинної переробки. Відправте їх будь-якому уповноваженому представнику з ремонту або в місцевий центр з вторинної переробки.

### Захист навколишнього середовища



Роздільний збір відходів. Забороняється утилізувати цей продукт разом зі звичайними побутовими відходами.

Якщо ви вирішите, що ваш виріб BLACK+DECKER необхідно замінити, або якщо ви не будете його більше використовувати, не утилізуйте його разом із побутовими відходами. Цей продукт підлягає роздільному збору відходів.



Роздільний збір використаних продуктів та пакувальних матеріалів дозволяє здійснювати їх вторинну переробку з подальшим повторним використанням.

Використання матеріалів, що пройшли вторинну переробку, знижує забруднення навколишнього середовища та зменшує потребу в сировинних матеріалах.

Нормативні акти місцевих органів влади можуть передбачати збір використаних електричних виробів окремо від побутових відходів, в муніципальних пунктах збору відходів або в магазині при покупці нового обладнання.

Компанія BLACK+DECKER надає можливість для збору та повторної переробки продуктів BLACK+DECKER після закінчення терміну їх служби. Щоб скористатися перевагою цього сервісу, будь ласка, надішліть ваш продукт будь-якому уповноваженому представнику з ремонту, який збирає такі вироби від нашого імені.

Ви можете дізнатися адресу нашого найближчого уповноваженого представника з ремонту, зателефонувавши в регіональне представництво BLACK+DECKER, вказане в цій інструкції. Крім того, список уповноважених представників з ремонту BLACK+DECKER, детальну інформацію про обслуговування після продажу та контактні дані можна знайти на сайті: [www.2helpU.com](http://www.2helpU.com).

### Технічні характеристики

	LD12
Напруга живлення	12В ===
Швидкість холостого ходу	0 - 900 об./хв.
Патрон	10 мм
Крутильний момент	8,0 Нм (70,8 фунта на фут)

### Зарядний пристрій

Вихідний струм	1 А
Час заряджання	від 1 до 1,5 год.

### Акумуляторна батарея

Напруга	12В ===
Ємність	1,5 А*год
Тип	Інтегрована, літій-іонна

- Максимальна напруга акумуляторної батареї (без навантаження) — 12 вольт. З навантаженням номінальне значення напруги складає 10,8 В.



Гарантійні умови

Шановний покупець!

1. Вітаємо Вас з покупкою високоякісного виробу BLACK + DECKER і висловлюємо вдячність за Ваш вибір.

2. При покупці виробу вимагайте перевірки його комплекtnості і справності у Вашій присутності, інструкцію за експлуатації та заповнений гарантійний талон українською мовою

В гарантійному талоні повинні бути внесені: модель, дата продажу, серійний номер, дата виробництва інструменту; назва, печатка і підпис торгової організації. За відсутності у Вас правильно заповненого гарантійного талону, а також при невідповідності зазначених у ньому даних ми будемо змушені відхилити Ваші претензії щодо якості даного виробу.

3. Щоб уникнути непорозумінь, переконливо просимо Вас перед початком роботи з виробом уважно ознайомитися з інструкцією з його експлуатації. Правовою основою справжніх гарантійних умов є чинне Законодавство. Гарантійний термін на даний виріб складає 24 місяці і обчислюється з дня продажу. У разі усунення недоліків виробу, гарантійний строк продовжується на період його перебування в ремонті. Термін служби виробу становить 5 років з дня продажу.

4. У разі виникнення будь-яких проблем у процесі експлуатації виробу рекомендуємо Вам звертатися тільки в уповноважені сервісні центри BLACK + DECKER, адреси та телефони яких Ви зможете знайти в гарантійному талоні, на сайті [www.2helpU.com](http://www.2helpU.com) або дізнатися в магазині. Наші сервісні станції - це не тільки кваліфікований ремонт, але і широкий асортимент запчастин і аксесуарів.

5. Виробник рекомендує проводити періодичну перевірку і технічне обслуговування виробу в уповноважених сервісних центрах.

6. Наші гарантійні зобов'язання поширюються тільки на несправності, виявлені протягом гарантійного терміну і викликані дефектами виробництва та \ або матеріалів.

7. Гарантійні умови не поширюються на несправності виробу, що виникли в результаті:

7.1 Недотримання користувачем приписів інструкції з експлуатації виробу, застосування виробу не за призначенням, неправильного зберігання, використання приладдя, витратних матеріалів і запчастин, що не передбачені виробником.

7.2 Механічного пошкодження (відколи, тріщини і руйнування) внутрішніх і зовнішніх деталей виробу, основних і допоміжних рукояток, мережевого кабелю, що викликані зовнішнім ударним або будь-яким іншим впливом

7.3 Потраплення у вентиляційні отвори та проникнення всередину виробу сторонніх предметів, матеріалів або речовин, що не є відходами, які супроводжують застосування виробу за призначенням, такими як: стружка, тирса, пісок, та ін.

7.4 Впливу на виріб несприятливих атмосферних і інших зовнішніх факторів, таких як дощ, сніг, підвищена вологість, нагрівання, агресивні середовища, невідповідність параметрів електромережі, що зазначені на інструменті.

7.5 Стихійного лиха. Пошкодження або втрати виробу, що пов'язані з непередбаченими лихами, стихійними явищами, у тому числі внаслідок дії непереборної сили (пожежа, блискавка, потоп і інші природні явища), а також внаслідок перепадів напруги в електромережі та іншими причинами, які знаходяться поза контролем виробника.

8. Гарантійні умови не поширюються:

8.1. На інструменти, що піддавалися розкриттю, ремонту або модифікації поза уповноваженим сервісним центром.

8.2. На деталі, вузли та матеріали, що мають сліди природного зносу, такі як: приводні ремені і колеса, вузькі шітки, мастило, підшипники, зубчасті зчеплення редукторів, гумові ущільнення, сальники, направляючі ролики, муфти, вимикачі, бойки, штовхачі, стовпи тощо.

8.3. На змінні частини: патрони, цанги, затискні гайки і фланці, фільтри, акумуляторні батареї, ножі, шліфувальні підшови, ланцюги, зірочки, пильні шини, захисні кожухи, пилки, абразиви, пильні і абразивні диски, фрези, свердла, бури тощо

8.4. На несправності, що виникли в результаті перевантаження інструменту (як механічного, так і електричного), що спричинили вихід з ладу одночасно двох і більше деталей і вузлів, таких як: ротора і статора, обох обмоток статора, веденої і ведучої шестерень редуктора або інших вузлів і деталей. До безумовних ознак перевантаження виробу відносяться, крім інших: поява кольорів мінливості, деформація або оплавлення деталей і вузлів виробу, потемніння або обуглювання ізоляції проводів електродвигуна під впливом високої температури.



Виробник:  
"Stanley BLACK+DECKER Deutschland GmbH" Black-&-Decker Str.40, D-65510 Idstein, Німеччина

## Kullanım amacı

BLACK+DECKER™ şarjlı matkap/tornavidanız vida takma/sökme uygulamaları ve ahşap, metal ve plastik delme işlemleri için tasarlanmıştır. Bu alet yarı profesyonel ve profesyonel kullanım içindir.

**Bu ürünü mağazaya iade etmeyin;** önce en yakın BLACK+DECKER ofisine veya yetkili servis merkezine başvurun.

## Güvenlik talimatları

### Genel elektrikli alet güvenlik uyarıları



**Uyarı! Bu elektrikli alet ile verilen tüm güvenlik uyarıları, talimatlar, resimli açıklamalar ve teknik özellikleri okuyun.** Aşağıda

belirtilen tüm talimatların herhangi birisine uyulmaması elektrik çarpması, yangın ve/veya ciddi yaralanma riskine neden olabilir.

Bütün uyarı ve güvenlik talimatlarını ileride bakmak üzere saklayın. Aşağıda yer alan uyarılardaki «elektrikli alet» terimi şebeke elektriğiyle (kablolu) veya akü/pille (şarjlı) çalışan elektrikli aletinizi ifade etmektedir.

### 1. Çalışma alanının güvenliği

- a. **Çalışma alanını temiz ve aydınlık tutun.** Karışık ve karanlık alanlar kazaya davetiye çıkarır.
- b. **Elektrikli aletleri, yanıcı sıvılar, gazlar ve tozların bulunduğu yerler gibi yanıcı ortamlarda çalıştırmayın.** Elektrikli aletler, toz veya dumanları ateşleyebilecek kıvılcımlar çıkarır.
- c. **Bir elektrikli aleti çalıştırırken çocuklardan ve etraftaki kişilerden uzak tutun.** Dikkatinizi dağıtıcı şeyler kontrolü kaybetmenize neden olabilir.

### 2. Elektrik güvenliği

- a. **Elektrikli aletlerin fişleri prizlere uygun olmalıdır.** Fiş üzerinde kesinlikle hiçbir değişiklik yapmayın. Topraklı elektrikli aletlerde hiçbir adaptör fişi kullanmayın. Değiştirilmemiş fişler ve uygun prizler elektrik çarpması riskini azaltacaktır.
- b. **Borular, radyatörler, ocaklar ve buzdolapları gibi topraklanmamış yüzeylerle vücut temasından kaçının.**

Vücudunuzun topraklanması halinde yüksek bir elektrik çarpması riski vardır.

- c. **Elektrikli aletleri yağmura maruz bırakmayın veya ıslatmayın.** Elektrikli alete su girmesi elektrik çarpması riskini arttıracaktır.
  - d. **Elektrik kablosunu uygun olmayan amaçlarla kullanmayın.** Elektrikli aleti kesinlikle kablosundan tutarak taşımayın, çekmeyin veya prizden çıkartmayın. Kabloyu sıcağtan, yağdan, keskin kenarlardan veya hareketli parçalardan uzak tutun. Hasarlı veya dolaşmış kablolar elektrik çarpması riskini artırır.
  - e. **Elektrikli bir aleti açık havada çalıştırıyorsanız, açık havada kullanıma uygun bir uzatma kablosu kullanın.** Açık havada kullanıma uygun bir kablounun kullanılması elektrik çarpması riskini azaltır.
  - f. **Eğer bir elektrikli aletin nemli bir bölgede çalıştırılması zorunluysa, bir artık akım aygıtı (RCD) korumalı bir kaynak kullanın.** Bir RCD kullanılması elektrik şoku riskini azaltır. Not: «Artık Akım Aygıtı (RCD)» tanımı, «Kaçak Akım Korumaya Cihazı (GFCI)» veya «Toprak Kaçağı Devre Kesici (ELCB)» tanımları ile değiştirilebilir.
- ### 3. Kişisel güvenlik
- a. **Elektrikli bir aleti kullanırken her zaman dikkatli olun, yaptığınız işe yoğunlaşın ve sağduyulu davranın.** Elektrikli bir aleti yorgunken veya ilaç ya da alkolün etkisi altındayken kullanmayın. Elektrikli aletleri kullanırken bir anlık dikkatsizlik ciddi kişisel yaralanmayla sonuçlanabilir.
  - b. **Kişisel koruyucu ekipmanları mutlaka kullanın.** Daima koruyucu gözlük takın. Koşullara uygun toz maskesi, kaymayan güvenlik ayakkabıları, baret veya kulaklık gibi koruyucu donanımların kullanılmasını kişisel yaralanmaları azaltacaktır.
  - c. **İstem dışı çalıştırılmasını önleyin. Aleti güç kaynağına ve/veya aküye bağlamadan, yerden kaldırmadan veya taşımadan önce açma/kapama düğmesinin kapalı konumda olduğundan emin olun.** Aleti, parmağınız düğme üzerinde bulunacak şekilde taşımak veya açık konumdaki elektrikli aletleri elektrik şebekesine bağlamak kazaya davetiye çıkarır.

- d. Elektrikli aleti açmadan önce tüm ayarlama anahtarlarını çıkartın.** Elektrikli aletin hareketli bir parçasına takılı kalmış bir anahtar kişisel yaralanmaya neden olabilir.
- e. Ulaşmakta zorlandığınız yerlerde kullanmayın.** Daima sağlam ve dengeli basın. Bu, beklenmedik durumlarda elektrikli aletin daha iyi kontrol edilmesine olanak tanır.
- f. Uygun şekilde giyinin. Bol elbiseler giymeyin ve takı takmayın. Saçınızı ve elbiselerinizi hareketli parçalardan uzak tutun.** Bol elbiseler ve takılar veya uzun saç hareketli parçalara takılabilir.
- g. Eğer kullandığınız üründe toz emme ve toplama özellikleri olan ataşmanlar varsa bunların bağlı olduğundan ve doğru şekilde kullanıldığından emin olun.** Bu ataşmanların kullanılması tozla ilgili tehlikeleri azaltabilir.
- h. Aletlerin sık kullanımından edindiğiniz aşinalığın sizi dikkatsiz kılmasına ve alet güvenlik prensiplerini önemsememeye izin vermeyin.** Dikkatsiz bir eylem, bir saniyeden daha az sürede ciddi yaralanmalara neden olabilir.
- 4. Elektrikli aletlerin kullanımı ve bakımı**
- a. Elektrikli aleti zorlamayın. Uygulamanız için doğru elektrikli aleti kullanın.** Doğru elektrikli alet, belirlendiği kapasite ayarında kullanıldığında daha iyi ve güvenli çalışacaktır.
- b. Tetik açmıyor ve kapatmıyorsa elektrikli aleti kullanmayın.** Tetikle kontrol edilemeyen tüm elektrikli aletler tehlikelidir ve tamir edilmesi gerekmektedir.
- c. Herhangi bir ayarlama, aksesuar değişimi veya elektrikli aletlerin saklanması öncesinde fişi güç kaynağından çekin ve/veya aküyü elektrikli aletten ayırın.** Bu tür önleyici güvenlik tedbirleri aletin istem dışı olarak çalıştırılması riskini azaltacaktır.
- d. Elektrikli aleti, çocukların ulaşamayacağı yerlerde saklayın ve elektrikli aleti tanımayan veya bu talimatları bilmeyen kişilerin elektrikli aleti kullanmasına izin vermeyin.** Elektrikli aletler, eğitimsiz kullanıcıların elinde tehlikelidir.
- e. Elektrikli aletleri ve aksesuarları iyi durumda muhafaza edin. Hareketli parçalardaki hizalama hatalarını ve tutuklukları, parçalardaki kırılmalar ve elektrikli aletin çalışmasını etkileyebilecek tüm diğer koşulları kontrol edin. Hasarlı ise, elektrikli aleti kullanmadan önce tamir ettirin.** Kazaların çoğu, elektrikli aletlerin bakımının yeterli şekilde yapılmamasından kaynaklanır.
- f. Kesim aletlerini keskin ve temiz tutun.** Bakımı uygun şekilde yapılmış keskin kesim uçlu kesim aletlerinin sıkışma ihtimali daha düşüktür ve kontrol edilmesi daha kolaydır.
- g. Elektrikli aleti, aksesuarlarını ve aletin diğer parçalarını kullanırken bu talimatlara mutlaka uyun ve çalışma ortamının koşullarını ve yapılacak işin ne olduğunu göz önünde bulundurun.** Elektrikli aletin öngörülen işlemler dışındaki işlemler için kullanılması tehlikeli durumlara neden olabilir.
- h. Kolları ve kavrama yüzeylerini kuru, yağsız ve gressiz tutun.** Kaygan kollar ve kavrama yüzeyleri, beklenmeyen durumlarda aletin güvenli bir şekilde taşınması ve kontrol edilmesine izin vermez.
- 5. Akü/pille çalışan aletin kullanımı ve bakımı**
- a. Sadece üretici tarafından belirtilen şarj cihazı ile şarj edin.** Bir akü tipine uygun bir şarj cihazı başka tipte bir aküyü şarj etmek için kullanıldığında yangın riski yaratabilir.
- b. Elektrikli aletleri yalnızca özel olarak tanımlanmış akülerle kullanın.** Başka bir akünün kullanılması yaralanma veya yangın riskine yol açabilir.
- c. Akü kullanımında değilken, ataç, bozuk para, anahtar, çivi, vida veya terminaller arasında kontağa neden olabilecek diğer küçük metal nesnelere uzak tutulmalıdır.** Akü terminallerinin birbirine kısa devre yapılması yanıklara veya yangına neden olabilir.
- d. Sıra dışı koşullarda sıvı aküden dışarı akabilir, temastan kaçının.** Yanlışlıkla cilde temas edilirse su ile yıkayın. Gözle temas durumunda ayrıca doktora başvurun. Aküden sıvı akması ciltte tahriş veya yanmaya neden olabilir.

**e. Hasarlı veya değiştirilmiş akü veya aleti kullanmayın.** Hasar görmüş veya değiştirilmiş aküler, yangın, patlama veya yaralanma riski taşıyan öngörülemeyen davranışlar gösterebilir.

**f. Akü veya aleti ateşe veya aşırı ısıya maruz bırakmayın.** Ateşe veya 130° C'nin üzerindeki sıcaklığa maruz kalma patlamaya neden olabilir. NOT: «130° C» sıcaklık «265° F» sıcaklık ile değiştirilebilir.

**g. Bütün şarj talimatlarını izleyin ve talimatlarda belirtilen sıcaklık aralığının dışındaki akü veya aleti şarj etmeyin.** Yanlış veya belirtilen aralıkların dışındaki sıcaklıklarda şarj etmek aküye zarar verebilir ve yangın riskini artırabilir.

## 6. Servis

**a. Elektrikli aletinizi, sadece orijinal yedek parçaların kullanıldığı yetkili servise tamir ettirin.** Bu, elektrikli aletin güvenliğinin muhafaza edilmesini sağlayacaktır.

**b. Hasar görmüş akülere asla tamir etmeyin.** Akülerin tamiri yalnızca yetkili servis elemanları tarafından yapılmalıdır.

## 7. Matkaplar için güvenlik uyarıları

**1) Bütün uygulamalar için güvenlik talimatları Darbeli matkap ile çalışırken kulaklık takın.**

**a. Yüksek sese maruz kalmak işitme kaybına yol açabilir.** Yardımcı tutma kolunu (kollarını) kullanın.

**b. Kontrol kaybı kişisel yaralanmalara neden olabilir.**

**c. Aleti kullanmadan önce düzgün bir şekilde tutun.** Bu alet yüksek bir çıkış torku üretir ve çalışma esnasında aleti düzgün bir şekilde tutmadan kişisel yaralanmalara neden olarak kontrol kaybı meydana gelebilir.

**d. Kesme aksesuarının gizli kabloları veya kendi kablosuna temas edebileceği yerlerde çalışma yaparken elektrikli aleti yalıtımlı kavrama yüzeylerinden tutun.** Kesme aksesuarının «akım taşıyan» bir kabloya temas etmesi durumunda elektrikli aletin metal kısımları da «akım taşıyıcı» hale gelecek ve kullanıcının elektrik çarpmasına neden olabilir.

**2) Uzun matkap uçlarını kullanırken güvenlik talimatları**

**a. Matkap ucunun maksimum hız oranından daha yüksek bir hızda kesinlikle çalışmayın.** Yüksek hızda uç, iş parçasına temas etmeden serbestçe dönmesine izin verilirse bükülebilir ve kişisel yaralanmalara neden olur.

**b. Her zaman düşük hızda uç iş parçasıyla temas halindeyken delmeye başlayın.** Yüksek hızda uç, iş parçasına temas etmeden serbestçe dönmesine izin verilirse bükülebilir ve kişisel yaralanmalara neden olur.

**c. Baskıyı sadece uç ile aynı hızda uygulayın ve aşırı basınç uygulamayın.** Uçlar bükülebilir ve uç kırılması veya kontrol kaybına neden olabilir, bu da kişisel yaralanmalara neden olabilir.

**d. Bağlantı parçalarının gizli kabloları veya kendi kablosuna temas edebileceği yerlerde çalışma yaparken elektrikli aleti yalıtımlı kavrama yüzeylerinden tutun.** Bağlantı parçalarının «akım taşıyan» bir kabloya temas etmesi durumunda elektrikli aletin metal kısımları da «akım taşıyıcı» hale gelecek ve kullanıcının elektrik çarpmasına neden olabilir.



## Elektrikli el aletleri için ek güvenlik talimatları

**Uyarı!** Matkap/tornavidalar için güvenlik talimatları

- Üzerinde çalıştığınız parçayı sabitlemek ve desteklemek için kelepçeler veya başka pratik yöntemler kullanın. Parçayı elle veya vücudunuza dayamanız dengesiz durmasına neden olacaktır ve aletin kontrolünü kaybetmeniz yol açabilir
- Duvar, zemin veya tavanda delik açmadan önce kablo ve boruların konumunu kontrol edin.
- Delme işleminin hemen ardından matkap ucuna dokunmaktan kaçınınız; sıcak olabilir.
- Bu alet fiziksel ve zihinsel kapasitesinin yanı sıra algılama gücü azalmış olan veya yeterince deneyim ve bilgisi bulunmayan kişiler (çocuklar dahil) tarafından kullanılmak üzere üretilmemiştir. Bu tür kişiler aleti ancak güvenliklerinden sorumlu bir kişi tarafından cihazın .

- kullanımıyla ilgili talimatların verilmesi veya sürekli kontrol altında tutulması durumunda kullanılabilir. Çocuklar, aletle oynamalarını önlemek amacıyla kontrol altında tutulmalıdır.
- Kullanım amacı bu kullanım kılavuzunda açıklanmıştır. Herhangi bir aksesuarın veya bağlantının ya da işlemin, bu kılavuzda tavsiye edilen şekilden başka bir şekilde kullanılması şahısların yaralanmalarına ve/veya mal kaybına yol açabilir.

## Diğer kişilerin güvenliği

- Bu alet fiziksel ve zihinsel kapasitesinin yanı sıra algılama gücü azalmış olan veya yeterince deneyim ve bilgisi bulunmayan kişiler (çocuklar dahil) tarafından kullanılmak üzere üretilmemiştir. Bu tür kişiler aleti ancak güvenliklerinden sorumlu bir kişi tarafından aletin kullanımıyla ilgili talimatların verilmesi veya sürekli kontrol altında tutulması durumunda kullanılabilir.
- Çocuklar, aletle oynamalarını önlemek amacıyla kontrol altında tutulmalıdır.

## Diğer tehlikeler

Aletin kullanımıyla ilgili ekte sunulan güvenlik uyarılarına dahil olmayan ilave kalıcı riskler ortaya çıkabilir. Bu riskler, hatalı, uzun süreli kullanım vb. dolayısıyla ortaya çıkabilir.

Emniyet tedbirlerini düzenleyen yönetmeliğin uygulanmasına ve emniyet sağlayıcı aygıtların kullanılmasına rağmen, başka belirli risklerden kaçınılamaz. Bunlar:

- Aletin dönen ve hareket eden parçalarına dokunma sonucu ortaya çıkan yaralanmalar.
- Herhangi bir parçayı, uç veya aksesuarı değiştirirken ortaya çıkan yaralanmalar.
- Aletin uzun süreli kullanılması sonucu ortaya çıkan yaralanmalar. Herhangi bir aleti uzun sürelerle kullanacaksanız düzenli olarak çalışmanıza ara verin.
- Duyuma bozukluğu.
- Aleti kullanırken ortaya çıkan tozun solunması sonucu ortaya çıkan sağlık sorunları (örnek: ahşapta, özellikle meşe, kayın ve MDF).

## Alet üzerindeki etiketler

Aletin etiketinde aşağıdaki semboller bulunabilir:



**Uyarı!** Yaralanma riskini en aza indirmek için kullanıcı kullanım talimatlarını mutlaka okumalıdır.



Şarj cihazı, yalnızca kapalı alanda kullanım içindir.



Alete çalışmaya başlamadan önce bu kılavuzu dikkatlice okuyun.

## Tarih kodu konumu

İmalat yılını da içeren Tarih Kodu gövdeye basılıdır.

Örnek:

2017 XX JN  
İmalat Yılı

## Elektrik güvenliği



Şarj cihazınız çift yalıtımlıdır; Bu yüzden hiçbir topraklama kablosuna gerek yoktur. Her zaman şebeke geriliminin aletin üretim etiketinde belirtilmiş değerlere uyup uymadığını kontrol edin. Şarj cihazını kesinlikle normal bir elektrik fişi ile değiştirmeye kalkışmayın.

- Elektrik kablosu hasarlı ise, bir tehlike oluşmasını önlemek için üretici ya da yetkili BLACK+DECKER Servis Merkezi tarafından değiştirilmelidir.

## Özellikler (şekil a)

1. Açma/kapama tetiği
2. İleri/geri sürgüsü
3. Anahtarsız mandren
4. Şarj cihazı
5. Şarj ve akü kapasitesi göstergesi

## Güvenlik uyarıları ve talimatları

### Aküler

- Sökmeyin ya da açmayın, düşürmeyin (mekanik hasara uğratmayın), kırmayın, bükmeyin ya da deforme etmeyin, delmeyin ya da parçalamayın.

- Değiştirmeyin veya yeniden üretmeyiniz, aküye yabancı nesnelere sokmaya çalışmayın, su veya diğer sıvılara sokmayın veya maruz bırakmayın, ateş veya el havyası dahil olmak üzere aşırı sıcaklıklara maruz bırakmayın ve mikrodalgaya koymayın.
- Sadece üretici/tedarikçi tarafından belirtilen şarj cihazı ile şarj edin.
- Aküyü kısa devre yapmayın ve metalik veya iletken nesnelere aynı anda her iki akü terminaline temas etmesine izin vermeyin.
- Kullanılmış aletleri üretici/tedarikçi talimatlarına göre derhal imha ediniz.
- Akülerin yanlış kullanılması, yangın, patlama veya başka bir tehlike oluşturabilir.
- Çocuklar, akü kullanırken kontrol altında tutulmalıdır.



**Uyarı!** Aküyü hiçbir nedenle asla açmayın. Akünün muhafazası çatlarsa veya hasar görürse, şarj cihazına takmayın. Aküyü çarpmayın, düşürmeyin veya pakete hasar vermeyin. Sert bir darbe almış, düşmüş, çiğnenmiş veya herhangi bir şekilde hasar görmüş (örn. çiviyle delinmiş, çekiçle vurulmuş veya üzerine basılmış) bir aküyü veya şarj cihazını kullanmayın. Hasarlı aküler geri dönüşüm için servis merkezine gönderilmelidir.

## Şarj cihazı

1. Bu kılavuz önemli güvenlik ve çalıştırma talimatları içerir.
2. Şarj cihazını kullanmadan önce şarj cihazının, akünün ve üründe kullanılan akünün üzerindeki talimatları ve uyarıcı işaretleri okuyun.

**Uyarı!** Yaralanma riskini azaltmak için şarj cihazı sadece bu ürünle birlikte kullanılmalıdır. Diğer ürünlerdeki aküler patlayarak yaralanmanıza veya hasar meydana gelmesine yol açabilir.

3. Şarj cihazını yağmura veya kara maruz bırakmayın.
4. BLACK+DECKER tarafından önerilmeyen veya satılmayan bir aksesuarın kullanılması yangın, elektrik çarpması veya kişisel yaralanma riskine yol açabilir.

5. Elektrik fişine ve kablosuna hasar verilmesi riskini azaltmak üzere şarj cihazını fişten çıkarırken kablodan değil fişten tutarak çekin.
6. Kablonun üzerine basılmayacak, ortalıkta gezinmeyecek veya başka şekilde hasara ve gerginliğe maruz kalmayacak şekilde yerleştirildiğinden emin olun.
7. Kesinlikle gerekli olmadıkça bir uzatma kablosu kullanılmamalıdır. Yanlış uzatma kablosu kullanımı yangın veya elektrik çarpmasına neden olabilir
- a. İki kesitli kablolar, 2 kesitli veya 3 kesitli uzatma kablolarıyla kullanılabilir. Sadece yuvarlak kılıflı uzatma kabloları kullanılmalıdır ve bunlar Underwriters Laboratories (U.L.) tarafından listelenmiş olduğuna öneririz. Uzatma kablosu dışarda kullanılacaksa, kablo dış kullanım için uygun olmalıdır. Dış mekan kullanımı için işaretlenmiş herhangi bir kablo da kapalı alanda kullanılabilir. Kablo kılıfındaki «W» veya «WA» harfleri, kablodan dış kullanım için uygun olduğunu gösterir.
- b. Güvenlik için ve güç kaybı ve aşırı ısınmayı önlemek için, bir uzatma kablosunun yeterli kesit boyutu veya amerikan kesit ölçü sistemine uygun olması gerekir. Kablonun kesit sayısı ne kadar küçük ise kablodan kapasitesi o kadar büyük; 16 kesitli kablo 18 kesitli kabloya göre daha fazla kapasiteye sahiptir. Toplam uzunluğu telafi etmek için birden daha fazla uzatma kablosunu kullanırken her uzatma kablosunun en azından minimum kablo kesidini içerdiğinden emin olun.
8. Matkabınızı şarj ederken sadece orijinal şarj cihazını kullanın. Başka bir şarj cihazının kullanılması tehlikeli bir duruma yol açabilir ya da aletinize zarar verebilir.
9. Şarj ederken sadece tek bir şarj aletini kullanın.
10. Şarj cihazını açmaya ÇALIŞMAYIN. Cihazın içinde bakımı kullanıcı tarafından yapılabilecek herhangi bir parça yoktur. Yetkili Black+Decker Servis Merkezine gönderin.
11. Önemli ölçüde hasarlı veya tamamen eskimisi olsa bile aküyü ateşe ATMAYIN. Aküler ateşe atılırsa patlayabilirler. Lityum iyon aküler yanınca zehirli buharlar ve materyaller açığa çıkar.



12. Aküyü, yanıcı sıvılar, gazlar ve tozların bulunduğu yerler gibi yanıcı ortamlarda ŞARJ ETMEYİN VEYA KULLANMAYIN. Matkabi şarj cihazına takmak veya cihazdan çıkarmak toz veya dumanları tutuşturabilir.
13. Akü içeriği cildinizle temas ederse, etkilenen alanı derhal yumuşak bir sabun ve suyla yıkayın. Akü sıvısı gözlerinize bulaşırsa, gözünüzü açık tutarak 3 dakika boyunca veya tahriş hissi geçene kadar suyla yıkayın. Tıbbi yardım gerekirse, akü elektroliti sıvı organik karbonatlar ve lityum tuzları karışımından oluşmaktadır.

**Uyarı!** Yanma tehlikesi. Akü sıvısı kıvılcıma veya ateşe maruz kalırsa yanıcı olabilir.

### Önemli şarj etme notları

1. Normal kullanım şartları sonrasında aletiniz 1-1,5 saat sürede tamamiyle şarj olmalıdır. Aletinizin aküsü fabrikada tam olarak şarj edilmemiştir. İlk kullanımdan önce akünün en az 1 saat şarj edilmesi gerekmektedir.
2. En uzun akü ömrü ve en iyi akü performansı, akünün 18° - 25°C sıcaklıkta şarj edilmesiyle sağlanır.
3. Sadece 4,5°C ila 40,5 °C arasındaki ortam sıcaklıklarında şarj edin. Bu önemlidir ve aküye ciddi bir zararın verilmesini önler.
4. Şarj sırasında şarj cihazı ısınabilir ve hafif bir ses çıkartabilir. Bu normal bir durumdur ve bir sorun olduğuna işaret etmez.
5. Akü düzgün bir şekilde şarj edilmiyorsa:
  - a. Prize bir lamba veya başka bir cihaz takarak akımı kontrol edin.
  - b. Prizin gücü açıp kapayan bir açma/kapama düğmesine (duy) bağlı olup olmadığını kontrol edin.
  - c. Şarj cihazını ortam sıcaklığı 4,5°C'den daha yüksek veya 40,5°C' daha düşük olduğu yere götürün.
  - d. Eğer prize ve ortam sıcaklığında bir sorun yoksa alet ve şarj cihazınızı yetkili bir BLACK+DECKER servisine götürün.
6. Alet, daha önce kolayca yapılan işlerde yeterince güç üretemeyecek duruma geldiğinde şarj edilmelidir. Akü şarjı boşalmış haldeyken aleti kullanmaya DEVAM ETMEYİN.

7. Bunlarla sınırlı olmamak kaydıyla iletken nitelikteki çelik yünü, alüminyum folyo veya metal parçacık birikimi gibi yabancı maddeler şarj cihazının yuvalarından uzak tutulmalıdır. Yuvalarda akü yokken şarj cihazını daima güç kaynağından çıkarın. Şarj cihazının fişini temizlemeden önce çıkarın.
8. Şarj cihazını dondurmayın ve suya veya başka sıvıya batırmayın.

### Saklama önerileri

1. En iyi saklama ortamı serin ve kuru, doğrudan güneş ışığı almayan, aşırı sıcak ve soğuk olmayan yerlerdir.
2. Uzun süreli saklama akü veya şarj cihazına zarar vermez.

### Şarj etme (şekil b)

**Aletinizin aküsü fabrikada tam olarak şarj edilmemiştir. Aküyü şarj etmeden önce Güvenlik Talimatlarını tamamen okuyun.**

Aleti şarj etmek için aşağıdaki adımları uygulayın:

1. Şarj aletini standart ev elektrik prizine takın.
2. Şarj cihazı fişini (6) Şekil B'de gösterildiği gibi takın. Şarj göstergesi LED'i (5) sürekli olarak yanık kalır; 3 LED ilk ile üçüncü arasında yanacaktır ve şarj işlemi tamamlandığında tüm LED yanacaktır.
3. İlk kullanımdan önce aleti 1-1,5 saat boyunca şarj edin. İlk şarj işleminden sonra ve normal kullanım şartlarında aletiniz tam 1 ila 1,5 saat şarj edilmesi gerekir.



**Uyarı!** Aleti, şarj cihazına bağlı halde kullanmayın.



**Uyarı!** Yangın tehlikesi. Şarj cihazın aletle bağlantısını kesmeden önce her zaman şarj cihazın fişini şebeke prizinden, sonra şarj kablosunu aletten çıkartın.

### Kullanım kılavuzu

#### Açma/kapama tetiği ve ileri/geri sürgüsü (Şekil C)

- Alet, açma/kapama tetiğine (1) basarak ve tetiğini bırakarak AÇIK ve KAPALI konuma getirilir.

- İleri/geri sürgüsü (2) aletin çalışma yönünü belirler ve ayrıca çalışmayı önleyen bir kilit görevi görür.
- İleri dönmeyi seçmek için tetiği bırakın ve ileri/geri sürgüsünü sola kaydırın.
- Geri dönmeyi seçmek için ileri/geri sürgüsünü ters yöne kaydırın.

**Not:** İleri/geri sürgüsü orta konumundayken aleti kapalı konumda kilitler. İleri/geri sürgüsünün yerini değiştirirken tetiğin serbest bırakıldığından emin olun.

### Değişken hız ayarlı tetik (şekil a)

Aleti açmak için, açma/kapama tetik düğmesine (1) basın. Aleti kapatmak için, tetiği bırakın. Aletiniz motor freni ile donatılmıştır. Tetiği tamamen bıraktıktan sonra mandren duracaktır. Değişken hız ayarlı tetik belirli bir uygulama için en iyi hızı seçmenizi sağlar. Ne kadar fazla tetiğe basarsanız, alet o kadar hızlı çalışacaktır. Maksimum uzun alet ömrü için değişken hız ayarını sadece delik delmeye veya vida sıkmaya başlarken kullanın.

**NOT:** Değişken hız aralığında sürekli kullanım tavsiye edilmez. Bu tetiğe zarar verebilir ve kaçınılmalıdır.

### Tek kovanlı anahtarsız mandren (Şekil D)

Aletiniz, mandrenin tek elle kullanılması için tek döner kovanlı anahtarsız mandren kullanmaktadır. Matkap ucunu veya başka bir aksesuarı takmak için aşağıdaki adımları izleyin.

1. Yukarıda açıklandığı gibi tetiği kapalı konumunda kilitleyin.
2. Mandrenin siyah kovanını bir elinizle kavrayın ve diğer elinizle aleti tutun. Kovani, istenen aksesuarı takmak için yeterli kadar açılana kadar saatin ters yönünde çevirin.
3. Ucu mandren içine sokun ve bir elinizle aleti tutarken diğer elinizle mandreni saat yönünde çevirerek sıkın. Aletiniz bir mil kilidi mekanizmasıyla donatılmıştır. Bu, bir elinizle mandreni açıp kapatmanızı sağlar.

Aksesuarı çıkarmak için, 2. adımı tekrarlayın.



**Uyarı!** Mandrenin ön kısmını tutarak ve aleti çalıştırarak matkap uçları (veya başka bir aksesuarı) sıkmaya

kalkışmayın. Bu yaralanmaya veya mandren hasarına yol açabilir. Aksesuar değiştirirken daima açma/kapama tetiğini kilitleyin. Maksimum sıkılık için bir elle mandreni sıkarken diğer elle de aleti tutun.

### Vida takma ve sökme

Vidaları sıkamak için ileri/geri dürgüsünü sola itin. Vidaları sökmek için geri dönmeyi kullanın (sürgüyü sağa iterek). Dönme yönü değiştirirken daima ilk önce açma/kapama tetiğini bırakın.

### Delme

- Yalnızca keskin matkap uçlarını kullanın.
- Güvenlik Talimatları bölümünde belirtildiği gibi çalışılan parçayı düzgün bir şekilde destekleyin.
- Güvenlik talimatlarında belirtildiği gibi uygun ve gerekli koruyucu ekipmanlarını kullanın.
- Güvenlik talimatlarında belirtildiği gibi çalışma alanını destekleyin ve bakımlı tutun.
- Delik matkap ucu dışarı kaymayacak kadar yeterli boyutuna ulaşınca matkabı, hafif bir baskı uygulayarak çok yavaş çalıştırın.
- Matkap ucuna düz bir çizgide hafif bir baskı uygulayın. Uca yeterli bir baskı uygulayın, ama motor duracak ya da uç sekecek kadar değil.
- Dönme hareketini kontrol etmek için matkabı her iki elinizle sıkıca tutun.
- Aniden durmuş veya sıkışmış matkabı yeniden çalıştırmak için açma/kapama tetiğine sürekli basmaya kalkışmayın. Bu matkaba zarar verebilir.
- Çalışma parçasını delip geçme aşamasında sıkışmayı en aza indirmek için baskıyı azaltın ve deliğin son kısmını yavaşça delin.
- Ucu açılmış deliğinden çekerken motor çalışmasını sağlayın. Bu sıkışma azaltmaya yardımcı olacaktır.
- Tetik aleti açtığından ve kapattığından emin olun.

## Ahşapta delme

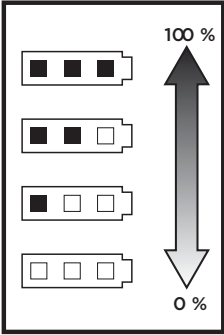
Ahşapta delikler metal için kullanılan aynı matkap uçları veya geniş ağızlı ahşap uçları ile delinebilir. Bu uçlar çok keskin olmalı ve delme sırasında oluklardan talaşların temizlenmesi için sık sık delikten dışarı çıkartılmalıdır.

## Metalde delme

Metalleri delerken bir yağlayıcı kullanın. Döküm demir ve pirinç istisna olarak kuruyken delinmelidir. Kükürtlenmiş veya domuz yağı en uygun yağlardır.

## Akü kapasitesi göstergesi

Tetiğe (1) bastığınızda, akü kapasitesi göstergesi aynı şekilde açılır ve akü kapasitesi durumu gösterilir.



## Arıza giderme

Sorun	olası nedeni	olası çözüm
Alet çalışmıyor.	Akü doğru bir şekilde takılmamış Akü boş.	Akünün doğru takıldığını kontrol edin. Akü şarj gerekliliklerini kontrol edin.
Akü şarj aolmuyor.	Akü şarj cihazına takılmamış.. Şarj cihazı güç kaynağına takılı değil.	Aküyü şarj cihazına yeşil LED ışığı yanacak şekilde takın. Şarj cihazının fişini çalışan bir prize takın. Daha detaylı bilgiler için «Önemli şarj etme notları» bölümüne bakın.

Alet aniden duruyor.	Ortam sıcaklığı çok yüksek veya çok düşük.  Akü maksimum ısı sınırına ulaştı.  Akü boş. (Akünün çalışma ömrünü uzatmak amacıyla akü, şarj bittiği zaman otomatik olarak aniden kapanma özelliği ile donatılmıştır).	Şarj cihazını ortam sıcaklığı 4,5°C'den daha yüksek veya 40,5°C' daha düşük olduğu yere götürün.  Akünün soğumasını bekleyin.  Aküyü şarj cihazına takın ve şarj edin.
----------------------	---	--

## Bakım

BLACK+DECKER aletiniz minimum bakımla uzun bir süre çalışacak şekilde tasarlanmıştır. Kesintisiz olarak memnuniyet verici bir şekilde çalışması gerekli özenin gösterilmesine ve düzenli temizliğe bağlıdır. Şarj cihazınız, düzenli temizlik dışında herhangi bir bakım gerektirmemektedir.



**Uyarı!** Herhangi bir bakım çalışmasına başlamadan önce aküyü aletten çıkartınız. Şarj cihazını temizlemeden önce fişten çekin.

- Aletinizdeki ve şarj cihazındaki havalandırma deliklerini yumuşak bir fırça veya kuru bir bezle düzenli olarak temizleyin.
- Motor muhafazasını düzenli olarak nemli bir bezle silin. Aşındırıcı veya çözücü bazı temizleyiciler kullanmayın.
- Mandreni düzenli olarak tamamen açın ve içindeki tozu dökmek için hafifçe vurun.

**Önemli!** Alet EMNİYET GÜVENLİĞİ ve GÜVENİLİRLİK için bu kılavuzda belirtilenler dışında tamir, bakım ve ayarlamaların her zaman orijinal yedek parça kullanılarak, yetkili servisler tarafından yapılması gerekmektedir. Aletin içinde bakımı kullanıcı tarafından yapılabilecek herhangi bir parça yoktur.

## Aksesuarlar

Aletinizle kullanılacak, tavsiye edilen aksesuarlar bedeli karşılığı satış noktalarından temin edilebilir.



**Uyarı!** Bu alet ile kullanılması önerilmeyen aksesuarların kullanılması ciddi yaralanmaya yol açabilir.

## Aküler



!! BLACK+DECKER aküleri defalarca yeniden şarj edilebilir. Hizmet ömürlerinin sonunda, aküleri çevremize gerekli özeni göstererek atın:

- Aküyü bitene kadar aleti çalıştırın, sonra aletten çıkartın.
- NiCd, NiMH ve Li-Ion aküler geri dönüşümlüdür. Aküleri yetkili servise veya yerel toplama merkezine teslim edin.

## Çevrenin korunması



Ayrı olarak atın. Bu ürün, normal evsel atıklarla birlikte atılmamalıdır.

BLACK+DECKER ürününüzün değiştirilmesi gerektiğini düşünmeniz veya artık kullanılamaz durumda olması halinde onu, evsel atıklarla birlikte atmayın. Bu ürünü, ayrı olarak toplanacak şekilde atın.



Kullanılmış ürünlerin ve ambalajların ayrı olarak toplanması bu maddelerin geri dönüşüme sokularak yeniden kullanılmasına olanak tanır. Geri dönüşümlü maddelerin tekrar kullanılması çevre kirliliğinin önlenmesine yardımcı olur ve ham madde ihtiyacını azaltır.

Yerel yönetmelikler, elektrikli ürünlerin evlerden toplanıp belediye atık tesislerine aktarılması veya yeni bir ürün satın alırken perakende satıcı tarafından toplanması yönünde hükümler içerebilir.

BLACK+DECKER, hizmet ömrünün sonuna ulaşan BLACK+DECKER ürünlerinin toplanması ve geri dönüşme sokulması için bir imkan sunmaktadır. Bu hizmetin

avantajlarından faydalanmak için, lütfen, ürününüzü bizim adımıza teslim alacak herhangi bir yetkili servise iade edin.

Bu kılavuzda belirtilen listeden size en yakın BLACK+DECKER yetkili tamir servisinin yerini öğrenebilirsiniz. Ya da, alternatif olarak internet'ten BLACK+DECKER yetkili tamir servislerinin listesini ve satış sonrası hizmetlerimizle ilgili tüm bilgiler ve temas bilgilerine aşağıdaki siteden ulaşabilirsiniz. [www.2helpU.com](http://www.2helpU.com).

## Teknik özellikleri

LD12	
Voltaj	12V
Yüksüz hızı	0-900 dev/dak
Mandren 1	10 mm
Tork	8,0 Nm

### Şarj cihazı

Çıkış akımı	1 A
Şarj süresi	1 - 1,5 saat

### Akü

Voltaj	12V
Capacity	1.5 Ah
Akü tipi	Entegre Li-Ion

- Akülerin (iş yükü olmadan ölçülen) maksimum başlangıç voltajı 12 voltur. İş yükü altında ölçülen nominal voltajı 10,8 V'tır.

## Garanti

BLACK+DECKER, ürünün kalitesinden emindir ve bu yüzden kanunlarda belirtilen taleplerin üstünde bir garanti verir. Ayrıca bu garanti hiçbir şekilde garanti ile ilgili kanuni haklarınızı ihlal etmez ve haklarınızı hiç bir şekilde kısıtlamaz.

Eğer bir BLACK+DECKER ürünü, satın alma tarihinden itibaren 24 ay içinde hatalı malzeme, işçilik ya da uygunsuzluk nedeniyle bozulursa, müşteriye mümkün olabilecek en az sorunu yaşatarak BLACK+DECKER hatalı kısımları değiştirmeyi, adil bir şekilde aşınmış ve yıpranmış ürünleri tamir etmeyi veya değiştirmeyi garanti eder. Ancak bu belirtilenler şu durumlar dışında geçerlidir:

- Ürün ticari veya profesyonel amaçlarla kullanılmışsa veya kiraya verilmişse;
- Ürün yanlış veya amaç dışı kullanılmışsa;
- Ürün yabancı nesnelere, maddelere veya kaza sırasında zarar görmüşse;
- Yetkili tamir servisleri veya Black + Decker servis ekibinden başkası tarafından tamir edilmeye çalışılmışsa.

Garanti talebinde bulunmak için, satıcıya veya yetkili tamir servisine satın aldığınıza dair ispat sunmalısınız. Fatura ve garanti kartı gerekmektedir. Bu kılavuzda belirtilen listeden size en yakın BLACK+DECKER yetkili tamir servisinin yerini öğrenebilirsiniz. Ya da, alternatif olarak internet'ten BLACK+DECKER yetkili tamir servislerinin listesini ve satış sonrası hizmetlerimizle ilgili tüm bilgiler ve temas bilgilerine aşağıdaki siteden ulaşabilirsiniz. [www.2helpU.com](http://www.2helpU.com)

Sanayi ve Ticaret Bakanlığı tebliğince kullanım ömrü 7 yıldır.

STANLEY BLACK&DECKER TURKEY  
ALET ÜRETİM SAN. TİC. LTD.ŞTİ.  
Kozyatağı Mh Değirmen Sk.  
Nida Kule No:18 Kat:6  
34742 Kadıköy  
İstanbul, TÜRKİYE  
Tel: +90 216 665 2900  
Fax: +90 216 665 2901

الشاحن	
التيار الخارج	1 أمبير
وقت الشحن	1 إلى 1.5 ساعات

بطارية	
الجهد الكهربائي	12 فولت
السعة	1.5 أمبير ساعة
النوع	ليثيوم أيون مدمجة

- يبلغ الجهد الأولي الأقصى لعلبة البطارية (تم قياسها بدون حمل العمل) 12 فولت. يبلغ الجهد الاسمي 10.8 فولت أثناء قياسه تحت حمل العمل.

### الضمان

تتفق BLACK+DECKER بجودة منتجاتها وتقدم ضماناً مميزاً. ويكون بيان الضمان هذا بالإضافة ولا يخل بأي حال من الأحوال بالحقوق القانونية.

إذا أصبح منتج BLACK+DECKER معيباً بسبب عيوب المواد والصناعة وعدم المطابقة، تضمن BLACK+DECKER في غضون 24 شهراً من تاريخ الشراء استبدال الأجزاء المعيبة وإصلاح المنتجات مع مراعاة البلي بالاستخدام العادي أو استبدال هذه المنتجات للتأكد من رضا العملاء ما لم:

- تم استخدام المنتج لأغراض تجارية أو مهنية أو للتأجير.
- إهمال أو إساءة استخدام المنتج.
- تعرض المنتج لتلف بسبب مواد أو أغراض غريبة أو الحوادث.
- محاولة إجراء عمليات الإصلاح من قبل الأشخاص الآخرين بخلاف وكلاء الإصلاح المصرح بهم أو فريق الخدمة التابع BLACK+DECKER.

للمطالبة بالضمان، يجب تقديم إثبات الشراء للبائع أو وكيل البيع المعتمد. ويمكنك معرفة مكان أقرب وكيل إصلاح معتمد بمراجعة مكتب BLACK+DECKER المحلي في العنوان المشار إليه في الدليل. كما تتوفر قائمة بوكلاء الإصلاح المعتمدين لدى BLACK+DECKER وبيانات خدمات ما بعد البيع والاتصال على الموقع الإلكتروني: [www.2helpU.com](http://www.2helpU.com)

### حماية البيئة

الجمع المنفصل. يلزم عدم التخلص من هذا المنتج مع القمامة المنزلية العادية. إذا احتجت في يومٍ لاستبدال منتج BLACK+DECKER



الخاص بك، أو لم تعد تستخدمه، فلا تتخلص منه مع القمامة المنزلية.

### حماية البيئة

تجميع منفصل. يجب عدم إلقاء هذا المنتج مع المخلفات المنزلية.



إذا تبين لك في أحد الأيام بأنه يجب تبديل جهاز BLACK+DECKER الخاص بك أو لم تعد بحاجة لاستخدامه. لا تتخلص منه مع المخلفات المنزلية. وقم بتوفير هذا المنتج للتجميع المنفصل.

يمكن التجميع المنفصل للمنتجات والعبوات المستخدمة من إعادة تدوير المواد واستخدامها مرة أخرى، إذ يساعد إعادة استخدام المواد المعاد تدويرها على منع التلوث البيئي وخفض الطلب على المواد الخام



قد تنص التشريعات المحلية على تجميع منفصل للمنتجات الكهربائية عن المخلفات المنزلية في مواقع مخلفات البلدية أو تاجر التجزئة عند شراء منتج جديد.

توفر BLACK+DECKER منشأة لتجميع وإعادة تدوير منتجات BLACK+DECKER عند وصول تلك المنتجات لنهاية عمرها النافع. وللاستفادة من هذه الخدمة، يرجى إعادة المنتج إلى أي وكيل إصلاح معتمد الذي سيقوم بتجميع المنتجات نيابة عنا.

يمكنك معرفة مكان أقرب وكيل إصلاح معتمد بمراجعة مكتب BLACK+DECKER المحلي في العنوان المشار إليه في الدليل. كما تتوفر قائمة بوكلاء الإصلاح المعتمدين لدى BLACK+DECKER وبيانات خدمات ما بعد البيع والاتصال على الموقع الإلكتروني: [www.2helpU.com](http://www.2helpU.com).

### البيانات الفنية

مواصفات	LD12
الجهد الكهربائي	12 فولت
سرعة بدون حمل	0 - 900/دقيقة (دورة في الدقيقة)
قامط اللقم	10 مم
عزم الدوران	8.0 نيوتن متر (70.8 بوصة-رطل)

يتوقف تشغيل الأداة فجأة.	درجة حرارة الهواء المحيط ساخنة أو باردة للغاية.	انقل الشاحن والبطارية إلى درجة حرارة هواء محيط تتعدى 40° فهرنهايت (4,5° م) أو أقل من 105° فهرنهايت (40,5° م)
	بلغت علبه البطارية حد الحرارة الأقصى.	اترك البطارية حتى تبرد.
	نفاد الشحن. (إطالة عمر علبه البطارية إلى أقصى حد، فقد تم تصميمها للتوقف فجأة عند نفاد الشحن.)	ضعها في الشاحن وترتكها لتشحن.

## لصيانة

صُممت أداة BLACK+DECKER لكي تعمل على مدار فترة زمنية طويلة بأقل قدر من الصيانة. ويعتمد استمرار الآلة في أداء عملها على النحو المرضي على العناية المناسبة والتنظيف المنتظم. لا يتطلب شاحنك أية صيانة سوى التنظيف المنتظم.



تحذيراً! قبل إجراء أي صيانة على الأداة، قم بإزالة البطارية من الأداة. افصل الشاحن عن التيار الكهربائي قبل تنظيفه.

- قم بتنظيف منافذ التهوية بانتظام في أداتك ونظف الشاحن باستخدام فرشاة ناعمة أو قطعة قماش جافة.
- نظف مبيت المحرك بانتظام باستخدام قطعة قماش مبللة. لا تستخدم المنظفات الكاشطة أو المذيبة.
- احرص على فتح قمام اللقم بانتظام وانقر عليه لتنظيفه من الغبار العالق به من الداخل.

مهم! لضمان سلامة المنتج واعتماديته، فيجب أن تتم أعمال إصلاحه وصيانته وضبطه (بخلاف تلك المبيّنة في هذا الدليل)، بواسطة مراكز الخدمة المعتمدة أو مراكز أخرى مؤهلة، مع استخدام الأجزاء البديلة المطابقة دائماً. لا تحتوي الأداة على أجزاء صالحة لاستعمال المستخدم في الداخل.

## الملحقات

تتوفر الملحقات الموصى بها للاستخدام مع أداتك عند موزعك المحلي أو مركز صيانة معتمد.

تحذيراً! قد يشكل استعمال أي ملحق غير موصى به للاستخدام مع هذه الأداة خطراً.



- احتفظ بتشغيل المحرك أثناء سحب اللقمة إلى خارج الفتحة المثقوبة. هذا سيساعد على تقليل الانحسار.
- تأكد ان المفتاح يشغل المثقاب ويوقف تشغيله.

## الثقب في الخشب

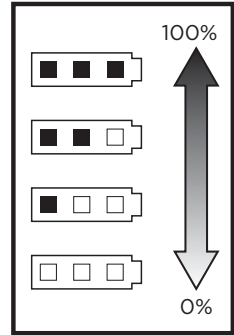
يمكن ثقب الخشب باستخدام نفس لقم الثقب الدوارة المستخدمة للمعدن أو باستخدام ريش الثقب. يجب أن تكون هذه اللقم حادة وينبغي سحبها باستمرار أثناء الثقب لتنظيف الأخاديد من البرادة.

## الثقب في المعدن

استخدم مشحم قطع عند ثقب المعادن. يُستثنى من هذا حديد الزهر والنحاس اللذين يجب أن يُثقبوا جافين. أفضل مشحومات قطع في العمل هي زيت القطع الكبريتي أو زيت دهن الخنزير.

## مؤشر الخلية

عند الضغط على الزناد الرئيسي (I)، يعمل مؤشر قدرة الخلية في نفس الوقت لإظهار حالة قدرة الخلية.



## اكتشاف المشكلات وحلها

المشكلة	الأسباب المحتملة	الحل المحتمل
لا تبدأ الأداة في العمل.	علبة البطارية ليست مركبة بشكل سليم.	افحص تركيب علبه البطارية.
	علبة البطارية ليست مشحونة.	تحقق من متطلبات شحن علبه البطارية.
علبة البطارية ليست مشحونة.	علبة البطارية ليست مدرجة في الشاحن.	ادخل علبه البطارية في الشاحن حتى يضيء مؤشر LED الأخضر.
	الشاحن غير موصل بالتيار.	أوصل الشاحن في مخرج تيار يعمل. ارجع إلى "ملاحظات الشحن المهمة" لمزيد من التفاصيل.

ملاحظة: لا يوصى بالاستخدام المستمر لنطاق السرعة المتغيرة. ويجب تجنب هذا لأنه قد يتلف المفتاح.

### قامط لقم كمي فردي بدون مفتاح (الشكل D)

تمتاز أداك بقامط لقم بدون مفتاح مزود بكم واحد الدوران من أجل تشغيل قامط اللقم بيد واحدة. لإدخال لقمة ثقب أو ملحق آخر، اتبع هذه الخطوات:

1. اقل الزناد على وضع الإيقاف كما هو موضح مسبقاً.
  2. امسك الكم الخلفي لقامط اللقم بإحدى يديك واستخدم الأخرى لتأمين الأداة. أدر الكم عكس اتجاه عقارب الساعة حتى المدى الذي يسمح بدخول الملحق.
  3. أدخل الملحق في قامط اللقم وأحكم ربطه بواسطة تدوير كم قامط اللقم مع اتجاه عقارب الساعة باستخدام يد واحدة بينما تمسك اليد الأخرى بالأداة. إن أداك مزودة بألية قفل عمود الدوران. وهي تسمح لك بفتح وقفل قامط اللقم باستخدام يد واحدة.
- لتحرير الملحق، كرر الخطوة 2 المذكورة أعلاه.



تحذير! لا تحاول إحكام ربط لقم المثقاب (أو أية ملحقات أخرى) عن طريق الإسكاف بمقدمة قامط اللقم وتشغيل الأداة. فربما يتسبب في تلف اقل دائماً مفتاح الزناد عند تغيير الملحقات. تأكد من إحكام ربط قامط اللقم وإحدى يديك ممسكة بكم قامط اللقم والأخرى ممسكة بالأداة وذلك لإحكام الربط لأقصى درجة.

### فك وربط البراغي

لإدخال المثبتات، يجب دفع زر التوجيه للخلف تجاه اليسار. استخدم التوجيه للخلف (بدفع الزر تجاه اليسار) لإزالة المثبتات. عند الانتقال من الأمام إلى الخلف، أو العكس، يجب تحرير زناد التشغيل أولاً.

### الثقب

- استخدم فقط لقم ثقب حادة.
- ادعم وأمن العمل بصورة صحيحة، كما هو مشار إليه في "تعليمات السلامة".
- أمن وحافظ على منطقة العمل، كما هو مشار إليه في "تعليمات السلامة".
- قم بتشغيل المثقاب ببطء شديد، مع استخدام ضغط خفيف، حتى تتكون فتحة كافية لمخبط المثقاب من الانزلاق بعيداً عنها.
- احرص دائماً على عمل ضغط في خط مستقيم مع لقمة الثقب. استخدم ضغط كافٍ لاستمرار اللقمة في الثقب ولكن ليس بدرجة كبيرة حتى لا يتوقف المحرك أو تعوج اللقمة.
- امسك بالمثقاب بإحكام بكلتا يديك للتحكم في حركته الدائرية.
- لا تضغط على زناد مثقاب متعطل وتحركه في محاولة لتشغيله. ما قد يسبب تلفاً بالمثقاب.
- أوقف عملية الاختراق قليلاً عن طريق تقليل الضغط وقم بالثقب ببطء خلال الجزء الأخير من الفتحة.

8. لا تجمد أو تغمر الشاحن في الماء أو أية سوائل أخرى.

### توصيات التخزين

1. إن أفضل مكان للتخزين هو مكان بارد وجاف بعيداً عن أشعة الشمس المباشرة والحرارة أو البرد المفرطين.
2. لن يؤثر التخزين الطويل على البطارية أو الشاحن.

### إجراءات الشحن (الشكل B)

إن البطاريات الموجودة في أداك لم تُشحن بالكامل في المصنع. قبل الشروع في شحنهم، اقرأ جميع تعليمات السلامة.

### لشحن أداك، اتبع الخطوات التالية:

1. أوصل الشاحن بأي مخرج كهربائي قياسي.
2. أدخل قايس الشاحن (6) كما هو موضح في الشكل B. سوف يضيء مؤشر الشحن (5 LED) بشكل مستمر، وسوف تضيء 3 مؤشرات LED من الأول إلى الثالث، وعند اكتمال الشحن سوف تضيء كل مؤشرات LED.
3. اترك الأداة تُشحن مبدئياً لمدة من 1 ساعة إلى 1.5 ساعات. بعد الشحن المبدئي، وفي ظل الظروف العادية، يجب أن تكون الأداة الخاصة بك مشحونة بالكامل من 1 ساعة إلى 1.5 ساعات.



تحذير! لا تستخدم الأداة بينما هي موصلة بالشاحن.

تحذير! خطر الحريق. عند فصل الشاحن عن الأداة، تأكد من فصل الشاحن عن مخرج الكهرباء في البداية، ثم افصل سلك الشاحن عن الأداة.



### تعليمات التشغيل

#### مفتاح الزناد وزر التشغيل العكسي (الشكل C)

- يبدأ ويتوقف تشغيل المثقاب بواسطة الضغط والتحرير على زناد التشغيل (1).
- يحدد زر التحكم للأمام/الخلف (2) اتجاه الأداة ويعمل أيضاً كزر إغلاق.
- لاختيار الدوران للأمام، حرر مفتاح الزناد واضغط على زر التحكم في الدوران للأمام/الخلف تجاه اليسار.
- لاختيار الدوران للخلف، اضغط على زر التحكم في الدوران للأمام/الخلف في الاتجاه المعاكس.

ملاحظة: يقوم الوضع الأسط لزر التحكم بقتل الأداة في وضع الإيقاف. عند تغيير موضع زر التحكم، تأكد من تحرير مفتاح التشغيل.

#### مفتاح زناد السرعة المتغيرة (الشكل A)

لتشغيل الأداة، اضغط على مفتاح الزناد (1). لإيقاف تشغيل الأداة، حرر مفتاح الزناد. تم تزويد الأداة الخاصة بك بمكايح. سوف يتوقف قامط اللقم بمجرد تحرير مفتاح الزناد بالكامل. يمكنك زر السرعة المتغيرة من اختيار أفضل سرعة للتطبيق المحدد. كلما ضغطت أكثر على الزناد، كلما زادت سرعة تشغيل الأداة. للحصول على أقصى عمر للأداة، استخدم فقط السرعة المتغيرة للبدء في الثقوب أو المثبتات.



## • يجب مراقبة استخدام الأطفال للبطارية.

تحذيراً! لا تحاول مطلقاً فتح البطارية لأي سبب. إذا نُزِعَ غلاف البطارية أو تلف، فلا تدخلها في الشاحن. لا تسحق أو تسقط أو تتلف البطارية. لا تستخدم بطارية أو شاحن تعرضا لضربة قوية أو سقطا أو دهسا أو أتلفا بأي طريقة (على سبيل المثال، الثقب بمسمار أو الضرب. مطرقة أو الوقوف عليهما). يجب أن تعاد البطاريات التالفة إلى مركز الخدمة لإعادة تدويرها.

## الشاحن

1. يحتوي هذا الدليل على تعليمات تشغيل وأمان مهمة.

2. قبل استخدام شاحن البطارية، اقرأ كل التعليمات والتحذيرات التنبهية حول شاحن البطارية واستخدام بطارية المنتج.

تحذيراً! لتقليل خطر الإصابة، استخدم شاحن واحد فقط مع هذا المنتج. ربما تنفجر البطاريات في منتجات أخرى مسببة إصابة شخصية أو تلف.



3. لا تعرض الشاحن للمطر أو الثلج.

4. إن استخدام مرفق غير مرشح أو مباع من قبل BLACK+DECKER ربما يتسبب في نشوب حريق أو صدمة كهربائية أو إصابات للأشخاص.

5. لتقليل خطر تلف القابس والسلك الكهربائي، اسحب بواسطة القابس بدلا من السلك عند فصل الشاحن.

6. تأكد من السلك مثبت بحيث لا يُداس عليه أو يُعْتَرَف فوقه أو يكون عرضة للتلف أو الضغط.

7. لا يجب استخدام سلك إطالة إلا في حالة الضرورة القصوى. يمكن أن يؤدي استخدام سلك إطالة غير مناسب إلى خطر نشوب النار أو صدمة كهربائية أو صعق كهربائي.

a. يمكن استخدام أسلاك ثنائية مع أسلاك إطالة ثنائية أو ثلاثية. يجب استخدام أسلاك إطالة دائرية مغلقة فقط، ووضح بأن تكون مسجلة في مختبرات ضمان المواصفات (UL). في حالة استخدام سلك الإطالة في الخارج، يجب أن يكون السلك مناسباً للاستخدام الخارجي. يمكن استخدام أي سلك مخصص للاستخدام الخارجي في العمل الخارجي. تشير الحروف "W" أو "WA" الموجودة على غلاف السلك إلى أن السلك مناسب للاستخدام الخارجي.

b. يجب أن يحتوي كل سلك إطالة على حجم سلك مناسب أو قطر سلك على القياس الأمريكي من أجل الأمان، ولتجنب فقدان الطاقة والحرارة الزائدة. كلما كان عدد مقياس السلك أصغر، كلما كان قدرة الكابل أكبر؛ فقدرة مقياس 16 أكبر من مقياس 18. عند استخدام أكثر من سلك إطالة لتعويض الطول الكلي، تأكد أن كل سلك إطالة لديه مقياس السلك الأدنى على الأقل.

8. استخدم فقط الشاحن المرفق عند شحن أداك. يمكن أن يسبب استخدام أي شاحن آخر في تلف الأداة أو التعرض لموقف خطير.

9. استخدم فقط شاحن واحد فقط عند الشحن.

10. لا تحاول فتح الشاحن. لا توجد أجزاء قابلة للاستخدام من قبل العميل بالداخل. أعدّه إلى أي مركز خدم BLACK+DECKER.

11. لا تحرق البطارية حتى ولو كانت تالفة تماماً أو مُستهلكة بالكامل. يمكن أن تنفجر البطاريات في النار. تتبعت أدخنة ومواد سامة عند حرق بطارية الليثيوم.

12. لا تشحن أو تستخدم البطارية في أجواء قابلة للانفجار، مثل وجود سوائل أو غازات أو غبار قابلة للاشتعال. ربما يتسبب إدخال أو إزالة المتقارب من الشاحن في إشعال للغبار أو للأدخنة.

13. إذا لامست محتويات البطارية الجلد، قم بغسله فوراً بماء وصابون خفيف. إذا دخل سائل البطارية في العين، اشطف العين وهي مفتوحة بالماء لمدة ثلاث دقائق أو حتى توقف التهيج. إذا لزم رعاية طبية، فإن سائل البطارية يتكون من مزيج من كربونات عضوية سائلة وأملاح الليثيوم.

تحذيراً! خطورة الاحتراق. ربما يشتعل سائل البطارية إذا تعرض لشرارة أو لهب.



## ملاحظات مهمة للشحن

1. بعد الاستخدام العادي، يجب شحن أداك بالكامل لمدة من 1 ساعة إلى 1.5 ساعة. تم إرسال أداك من المصنع في حالة غير مشحونة. قبل محاولة استخدامها، يجب شحن البطارية لمدة ساعة واحدة على الأقل.

2. يمكن الحصول على أطول عمر وأفضل أداء إذا تم شحن علبة البطارية في درجة حرارة هواء تتراوح بين 65° فهرنهايت و 75° فهرنهايت (18°م - 24°م).

3. لا تشحن البطارية في درجة حرارة هواء أقل من 40° فهرنهايت (4.5°م)، أو أعلى من 105° فهرنهايت (40.5°م). وهذا أمر مهم، وسوف يمنع إلحاق أضرار جسيمة بالبطاريات.

4. أثناء الشحن، قد يصدر الشاحن طينياً ويصبح ساخناً عند اللمس. وهذه حالة طبيعية ولا تشير إلى وجود مشكلة.

5. إذا لم تُشحن البطاريات بشكل صحيح:

a. تحقق من وجود التيار في المقبس عبر توصيل مصباح أو جهاز آخر.

b. تحقق لترى إذا كان المقبس متصلاً بمفتاح إضاءة والذي يوقف تشغيل التيار عندما تضيء الأنوار.

c. انقل الشاحن والأداة إلى درجة حرارة هواء محيطية تبلغ 40° فهرنهايت (4.5°م) إلى 105° فهرنهايت (40.5°م).

d. إذا كان المقبس ودرجة الحرارة في حالة جيدة، وأنت لا تحصل على شحن مناسب، اصطحب أو أرسل الأداة والشاحن لمركز خدمة BLACK+DECKER المحلي لديك.

6. يجب إعادة شحن الأداة عندما تخفق في إنتاج طاقة كافية في أعمال كانت تقوم بها بسهولة قبل ذلك. لا تستمر باستخدام منتج تكون بطاريته في حالة استنزاف.

7. يجب إبعاد أي مواد غريبة ذات طبيعة موصلة مثل، وليس على سبيل الحصر، الألياف السلكية أو رقائق الألومنيوم أو أي عنصر من الجزئيات المعدنية عن تجاويف الشاحن. أفضل دائماً الشاحن عن مصدر التيار عند عدم وجود علبة بطارية في التجويف. أفضل الشاحن قبل الشروع في التنظيف.

## الملصقات الموجودة على الجهاز

يحتوي الجهاز على الصور التوضيحية التالية:

تحذير! لتقليل مخاطر الإصابة، يتعين على المستخدم قراءة دليل التعليمات.



الشاحن مخصص للاستخدام الداخلي فقط.



اقرأ هذا الدليل بالكامل جيداً قبل استخدام الجهاز.



مكان الرمز الشريطي الخاص بالتاريخ

يوجد كود التاريخ، والذي يحتوي على سنة الصنع، مطبوعاً على العلبه. مثال:

XX JN 2017

سنة الصنع

## السلامة الكهربائية

الشاحن معزول عزلاً مزدوجاً، لذلك ليست هناك حاجة إلى التأريض. يرجى التحقق من توافق جهد التيار الكهربائي مع الجهد الموضح على لوحة التقتين. لا تحاول أبداً استبدال وحدة الشاحن بوحدة تناسب مقياس التيار الكهربائي العادي.



عند تلف السلك الكهربائي، يجب استبداله بواسطة أحد مراكز الخدمة المعتمدة التابعة لشركة BLACK+DECKER، لتفادي التعرض للمخاطر.

## تحذيرات السلامة والتعليمات

## البطاريات

- لا تقم بفك أو فتح أو هبوط في الجهد (استخدام ميكانيكي خاطئ) أو تحطيم أو ثني أو تشويه أو ثقب أو تحويلها إلى شظايا.
- أو تحاول إدخال أشياء غريبة داخل البطارية، أو الغمر أو التعرض للماء أو لسوائل أخرى، أو التعرض للنار أو للحرارة المفرطة التي تشمل لحام الحديد، أو وضعها في قرن الميكروويف.
- استخدم البطارية فقط مع نظام الشحن المحدد من قبل جهة التصنيع/ المورد.
- لا تقم بتقصير دائرة البطارية أو السماح لأشياء معدنية أو موصلة بالاتصال مع طرفي البطارية في وقت واحد.
- تخلص من البطاريات المستخدمة في الحال وفقاً لتعليمات جهة التصنيع/ المورد.
- استخدام البطارية الغير مناسبة ربما يتسبب في نشوب حريق أو حدوث انفجار أو مخاطر أخرى.



## تحذيرات إضافية متعلقة بسلامة الأداة الكهربائية

تحذير! تحذيرات السلامة الإضافية الخاصة بالمخاطب/ مفكات البراغي.

- استخدم القواطع أو أي طريقة عملية أخرى لتأمين وتدعيم أداة العمل على منصة ثابتة. إن حمل قطعة الشغل يدوياً أو في مقابل جسمك يجعلها غير مستقرة ويمكن أن يؤدي إلى فقدان التحكم بها.
- تحقق من مكان الأسلاك والمواسير، قبل الثقب في الجدران أو الأرضيات أو الأسقف.
- تجنب ملامسة طرف لقمة الثقب بعد الإنتهاء من الثقب، لإحتمالية كونها ملتهبة.
- هذه الأداة غير مصممة ليستخدمها الأشخاص ذوو القدرات الجسدية والحسية والعقلية المتدنية أو من تنقصهم الخبرة والمعرفة (بما في ذلك الأطفال) إلا في ظل الإشراف عليهم أو إعطائهم التعليمات المتعلقة باستخدام الجهاز من قبل الشخص المسؤول عن سلامتهم. ينبغي مراقبة الأطفال لضمان عدم عبثهم بالجهاز.
- إن الغرض من الاستخدام مبين في دليل التعليمات هذا. إن استخدام أي ملحقات أو مرفقات أو إجراء أية عملية بهذه الأداة غير تلك المنصوص عليها في دليل التعليمات هذا قد يشكل خطر الإصابة الشخصية و/ أو تلف في الممتلكات.

## سلامة الآخرين

- هذا الجهاز غير مصمم ليستخدمه الأشخاص ذوو القدرات الجسدية والحسية والعقلية المتدنية أو من تنقصهم الخبرة والمعرفة (بما في ذلك الأطفال) إلا في ظل الإشراف عليهم أو إعطائهم التعليمات المتعلقة باستخدام الجهاز من قبل الشخص المسؤول عن سلامتهم.
- ينبغي مراقبة الأطفال لضمان عدم عبثهم بالجهاز.

## المخاطر المتبقية

- عند استخدام الجهاز يمكن أن تظهر مخاطر متبقية إضافية قد لا تكون مدرجة في تحذيرات السلامة المرفقة. المخاطر يمكن أن تنشأ عن الاستخدام السليء أو المطول إلخ.
- حتى مع سريان تعليمات السلامة وتطبيق تجهيزات السلامة فهناك بعض المخاطر الأخرى التي لا يمكن تجنب وقوعها، وتشمل:
- إصابات تنشأ جراء ملامسة أي أجزاء دوارة/ متحركة.
- إصابات تنشأ عند تغيير أي أجزاء أو شفرات أو
- إصابات تنشأ جراء طول فترة استعمال الأداة. تحقق من توفير فترات راحة منتظمة عند استعمال الأداة لفترات طويلة.
- تضرر السمع.
- المخاطر الصحية الناتجة عن استنشاق الغبار المتكون عند استخدام جهازك (على سبيل المثال: التعامل مع الأخشاب، ولا سيما البلوط والزنان والخشب المضغوط (MDF)).

- b** لا تستخدم الأداة الكهربائية إذا تعذر تشغيلها وإيقافها باستخدام مفتاح التشغيل. فأي أداة كهربائية لا يمكن التحكم فيها باستخدام مفتاح التشغيل تكون خطيرة ويجب إصلاحها.
- c** افصل القابض عن مصدر الكهرباء و/أو أخرج حزمة البطارية. إن كانت قابلة للإزالة، من الأداة الكهربائية قبل إجراء أي تعديلات أو تغيير أي ملحقات أو تخزين الأدوات الكهربائية. تعمل إجراءات السلامة الوقائية هذه على الحد من خطر بدء تشغيل الأداة الكهربائية بدون قصد.
- d** خزن الأدوات الكهربائية غير المستخدمة بعيداً عن متناول الأطفال. ولا تسمح للأشخاص غير المدربين على استخدام الأداة الكهربائية أو الذين لا يعلمون هذه التعليمات بتشغيلها. حيث تنطوي الأدوات الكهربائية على خطر كبير إذا وضعت في أيدي أشخاص غير مدربين.
- e** هـ صيانة الأدوات الكهربائية والملحقات. تحقق من عدم وجود أي محاذرة خاطئة أو عائق في الأجزاء المتحركة، أو كسر في الأجزاء، وأية حالة أخرى يمكن أن تؤثر على تشغيل الأداة الكهربائية. فإذا كانت الأداة الكهربائية تالفة، يجب إصلاحها قبل الاستعمال. تقع عديد من الحوادث جراء عدم صيانة الأدوات الكهربائية بشكل جيد.
- f** احرص على أن تظل أدوات القطع حادة ونظيفة. تساعد الصيانة المناسبة لأدوات القطع ذات الحواف القاطعة الحادة على جعلها أقل عرضة للانزلاق وأكثر سهولة في التحكم بها.
- g** استخدم الأداة الكهربائية والملحقات ولقم الأداة وما إلى ذلك بما يتوافق مع هذه التعليمات، مع الوضع في الاعتبار ظروف العمل والعمل المراد تنفيذه. حيث إن استخدام الأداة الكهربائية في تنفيذ مهام غير مخصصة لها يمكن أن يتسبب في التعرض لمواقف خطيرة.
- h** حافظ على جفاف المقابض والأسطح القابضة ونظافتها وخلوها من الزيت والشحم. فالمقابض والأسطح القابضة المنزلفة لا تسمح بالتعامل مع الأداة والتحكم فيها بأمان في المواقف غير المتوقعة.
- 5** استخدام أداة البطارية والعناية بها
- a** أعد الشحن فقط باستخدام الشاحن المحدد من قبل المصنع. يمكن أن يتسبب الشاحن المناسب لنوع واحد من علب البطاريات في نشوب خطر الحريق عند الاستخدام مع علب بطارية أخرى.
- b** استخدم الأدوات الكهربائية مع علب البطاريات المخصصة تحديداً لها فقط. استخدام أية علب بطاريات أخرى يمكن أن يتسبب في خطر الإصابة أو وقوع حريق.
- c** عند عدم استخدام علب البطارية، احتفظ بها بعيداً عن المواد المعدنية الأخرى، مثل مشابك الأوراق والعملات المعدنية والملفات والمسامير والأشياء المعدنية الصغيرة الأخرى، التي يمكن أن تنشئ اتصالاً من طرف إلى آخر. تقصير دائرة أطراف البطارية معاً يمكن أن يتسبب في وقوع حريق أو نشوب نار.
- d** في ظل الظروف القاسية، يمكن أن يتسرب السائل من البطارية؛ فتجنب ملامسته. إذا حدث التلامس بشكل غير مقصود، اشطف مكان التلامس بالمانا. إذا ما تلامس السائل مع العينين فاطلب علاوة على هذا المساعدة الطبية. يمكن أن يتسبب السائل المتسرب من البطارية في حالات تهيج أو حروق.
- e** لا تستخدم علب البطارية أو الأداة التالفة أو المعدلة. فمن المحتمل أن تسلك البطاريات التالفة أو المعدلة مسلك غير متوقع يتسبب في نشوب حريق أو وقوع انفجار أو خطر الإصابة.
- f** لا تعرض علب البطارية أو الأداة للنار أو درجة الحرارة المفرطة. يمكن أن يتسبب تعريضها للنار أو درجة حرارة أكثر من 130 °م إلى وقوع انفجار. لاحظ أن درجة الحرارة "130 °م" يمكن أن تستبدل بدرجة حرارة "265 °فهرنهايت".
- g** اتبع كل تعليمات الشحن ولا تشحن علب البطارية أو الأداة خارج نطاق درجة الحرارة المحددة في التعليمات. فربما يتسبب الشحن الغير الصحيح أو في درجات حرارة خارج النطاق المحدد في تلف البطارية وزيادة خطر اشتعال النار.
- 6** الخدمة
- a** احرص على الإستعانة بفني متخصص لإصلاح الأداة الكهربائية باستخدام قطع الغيار المتطابقة فقط. وذلك يضمن المحافظة على سلامة الأداة الكهربائية.
- b** لا تصلح علب البطاريات التالفة. يجب أن يقتصر إصلاح علب البطاريات فقط على موردين الخدمة المعتمدين.
- 7** تحذيرات الأمان الخاصة بالثقب
- (1)** تعليمات السلامة لكل العمليات
- a** ارتد واقي الأذن عند العمل بالثقب. إن التعرض للضجيج يمكن أن يتسبب في فقدان السمع.
- b** استخدم مقبض (مقابض) مساعد. فقدان التحكم يمكن أن يتسبب في وقوع إصابات شخصية.
- c** تدعيم الأداة بشكل صحيح قبل الاستخدام. تخرج هذا الأداة عزم دوران عال وبدون تدعيم الأداة أثناء التشغيل بشكل صحيح، فربما يتسبب فقدان التحكم في إصابة شخصية.
- d** احرص على حمل الأداة الكهربائية باستخدام أسطح إمساك معزولة عند استخدامها حيث يمكن أن تتلامس ملحقات التقطيع والأسلاك الخفية أو سلك الأداة. يمكن أن تؤدي ملامسة ملحق القطع لسلك "متصل بالكهرباء" إلى "كهربية" الأجزاء المعدنية المكشوفة بالأداة وتعريض المشغل لصدمة كهربائية.
- (2)** تعليمات السلامة عند استخدام لقم ثقب طويلة
- a** لا تشغل مطلقاً بسرعة أعلى من السرعة القصوى المقدرة على لقمة الثقب. في السرعات العالية، ربما تنحني اللقمة في حالة تركها تدور بحرية بدون الاتصال بقطعة العمل، مسببة إصابة شخصية.
- b** ابدأ دائماً الثقب على سرعة بطيئة مع اتصال طرف اللقمة بقطعة العمل. في السرعات العالية، ربما تنحني اللقمة في حالة تركها تدور بحرية بدون الاتصال بقطعة العمل، مسببة إصابة شخصية.
- c** اضغط فقط في خط مباشر مع اللقمة ولا تضغط بصورة مفرطة. فربما تنحني اللقم مسببة كسر أو فقدان التحكم، مما يسبب إصابة شخصية.
- احمل الأداة الكهربائية بواسطة أسطح إمساك معزولة عند القيام بأية عملية يمكن أن ينشأ فيها تلامس بين المثبت والأسلاك الخفية أو سلك الأداة. ربما تؤدي المثبتات المتصلة بسلك "متصل بالكهرباء" إلى "كهربية" الأجزاء المعدنية المكشوفة بالأداة وتعريض المشغل لصدمة كهربائية.

## لغرض من الاستخدام

صُمم المقاب/المفك BLACK+DECKER™ LD12 الخاص بك لتنفيذ تطبيقات الربط والفك وللتقّب في الخشب والمعادن والبلاستيك. هذه الأداة معدة لأغراض الاستخدام الإحترافي وشبه الإحترافي.

إعادة المنتج إلى المنجز،

اتصل أولاً بمكتب BLACK+DECKER المحلي لديك أو بأقرب مركز خدمة معتمد.

## تعليمات السلامة

تحذيرات عامة متعلقة بسلامة الأداة الكهربائية.

تحذير: احرص على قراءة كل تحذيرات السلامة والتعليمات والرسوم التوضيحية ذات الصلة والموصفات المرفقة مع د.



احتفظ بكل التحذيرات والتعليمات كمرجع في المستقبل. يشير مصطلح "الأداة الكهربائية" الوارد في كل التحذيرات المدرجة أدناه إلى الأداة الكهربائية المشغلة عن طريق التيار الكهربائي (بكالبل أو بطارية بدون كابل).

## 1. سلامة منطقة العمل

a حافظ على نظافة وإضاءة منطقة العمل جيداً. فالمناطق غير المرتبة أو المظلمة عرضة لوقوع حوادث.

b لا تشغيل الأدوات الكهربائية في أجواء قابلة للانفجار، مثل وجود غبار أو غازات أو سوائل قابلة للاشتعال. تطلق الأدوات الكهربائية شرراً يمكن أن يشعل الغبار أو الأبخرة.

c احرص على إبعاد الأطفال والمتواجدين في منطقة العمل عند تشغيل الأداة الكهربائية. فمن الممكن أن تجعلك المشتتات تفقد القدرة على التحكم.

## 2. السلامة من مخاطر الكهرباء

a يلزم توافق قوايس الأداة الكهربائية مع مخرج التيار. يُحظر تعديل القابس بأي طريقة. كذلك لا تستخدم أي قوايس مهبائية مع الأدوات الكهربائية المتصلة بالأرض (المؤرضة). حيث إن عدم تعديل القابس واستخدام مخارج تيار مناسبة يحد من مخاطر الصدمات الكهربائية.

b تجنب ملامسة جسم الأداة مع أسطح موزرة أو أرضية، مثل المواسير والمداقي والأقوان والمبريدات. يزداد خطر التعرض لصدمة كهربائية إذا كان جسمك موصولاً بالأرض أو في وضع تأريض.

c لا تعرض الأدوات الكهربائية للمطر أو لظروف رطبة. سوف يؤدي تسرب الماء إلى داخل الأداة الكهربائية إلى زيادة مخاطر التعرض للصدمة الكهربائية.

d لا تتعامل مع السلك بطريقة خاطئة. لا تستخدم السلك مطلقاً في حمل الأداة الكهربائية أو سحبها أو فصلها من القابس. أبقِ السلك بعيداً عن الحرارة أو الزيت أو الحواف الحادة أو الأجزاء المتحركة. تزيد الأسلاك التالفة أو المتشابكة من مخاطر التعرض للصدمة الكهربائية.

e عند تشغيل الأداة الكهربائية في الخارج، استخدم سلك إطالة مناسباً

للاستخدام الخارجي. حيث إن استخدام سلك مناسب لأغراض الاستخدام الخارجي يقلل من مخاطر التعرض للصدمة الكهربائية.

f إذا لم يكن هناك مقر من تشغيل الأداة الكهربائية في منطقة رطبة، فاستخدم شبكة تغذية حمية بقاطع الدائرة المتبقية (RCD). وذلك لأن استخدام قاطع الدائرة المتبقية يحد من مخاطر التعرض للصدمة الكهربائية. ملاحظة: يمكن استبدال المصطلح "قاطع الدائرة المتبقية (RCD)" بالمصطلح "قاطع الدائرة في حالة تعطل الأرضي (GFCI)" أو "قاطع الدائرة في حالة تسريب الأرضي (ELCB)".

## 3. السلامة الشخصية

a كن متيقظاً وراقب ما تفعل واستخدم حسك العام عند تشغيل الأداة الكهربائية. لا تستخدم الأداة الكهربائية عندما تكون مجهذاً أو تحت تأثير المخدرات أو الكحوليات أو الأدوية. يمكن أن يؤدي عدم الانتباه للحظة أثناء تشغيل الأداة الكهربائية إلى وقوع إصابات جسيمة بالغة.

b استخدم معدات الحماية الشخصية. احرص دائماً على ارتداء واقي العينين. سوف تساعد معدات الحماية -مثل قناع الغبار أو أحذية السلامة المقاومة للانزلاق أو الخوذة الصلبة أو واقي الأذن- المستخدمة في ظروف مناسبة على الحد من التعرض للإصابات الجسيمة.

c تجنب تشغيل الآلة بدون قصد. تحقق من أن المفتاح في وضع الإيقاف قبل التوصيل بمصدر الكهرباء و/أو علية البطارية أو قبل التقاط أو حمل الأداة. إن حمل الأدوات الكهربائية وإصبعك على المفتاح أو أدوات كهربائية نشطة مفتاحها على وضع التشغيل سوف يستدعي وقوع حوادث.

d تخلص من أي مفاتيح ضبط أو ربط قبل تشغيل الأداة الكهربائية. يمكن أن يتسبب أي مفتاح أو مفتاح ربط ترك متصلاً بالجزء الدوار في الأداة الكهربائية في وقوع إصابات جسيمة.

e تجنب المبالغة في مد جسده. ضع قدميك في وضع مناسب وحافظ على اتزانك طوال الوقت. ويتيح لك ذلك التحكم بصورة أفضل في الأداة الكهربائية في المواقف غير المتوقعة.

f ارتد زياً مناسباً. لا ترتد الملابس الفضفاضة أو الحلي. احرص على إبعاد شعرك وملابسك عن الأجزاء المتحركة. فقد تعلق الملابس الفضفاضة أو الحلي أو الشعر الطويل في الأجزاء المتحركة.

g إذا كانت الأجهزة معدة للتوصيل بوسائل إزالة وجمع الأتربة، فتأكد من توصيلها واستخدامها بشكل مناسب. استخدام هذه الأجهزة يمكن أن يقلل من المخاطر المتعلقة بالغبار.

h لا تسمح لاعتيادك على استخدام الأدوات بشكل متكرر أن يبعث داخلك اطمئناناً قد يدفعك إلى تجاهل مبادئ سلامة الخاصة بالأداة. نأى تصرف طائش يمكن أن يتسبب في وقوع إصابات خطيرة في لمح البصر.

## 4. استخدام الأداة الكهربائية والعناية بها

a لا تستخدم الأداة الكهربائية في غير ما هي مخصصة له. استخدم الأداة الكهربائية المناسبة لاستعمالك. حيث ستقوم الأداة الكهربائية المناسبة بأداء العمل بشكل أفضل وأكثر أماناً وفقاً للمعدل التي صُممت لأجله.

