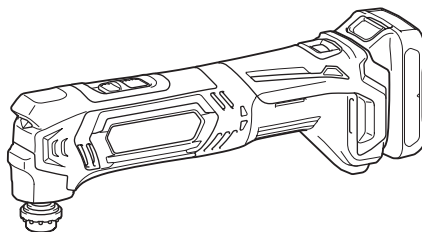
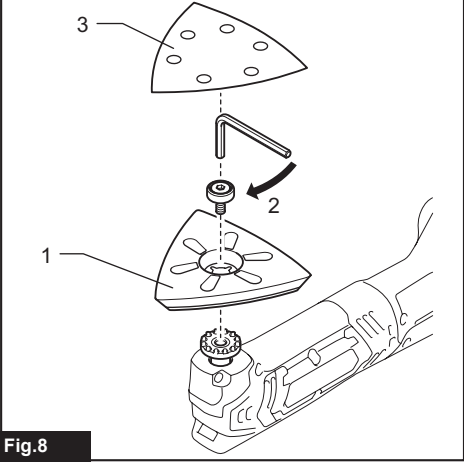
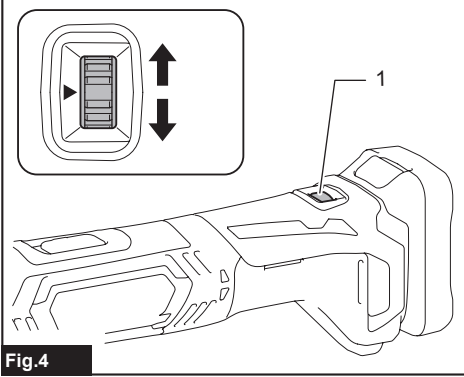
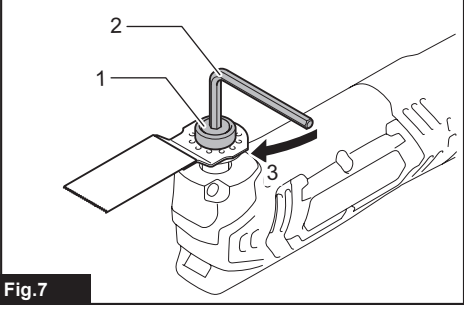
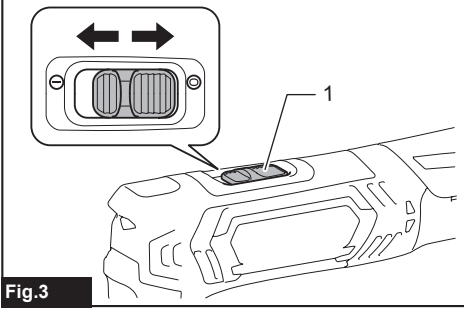
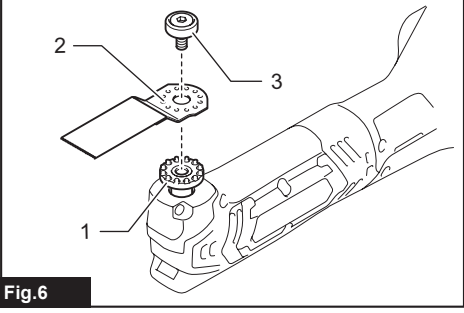
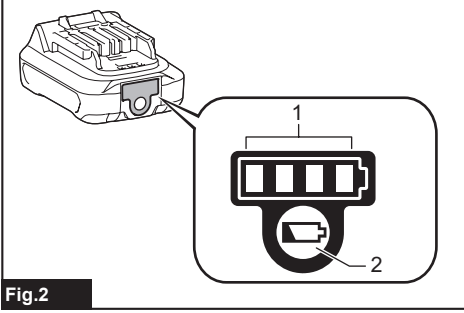
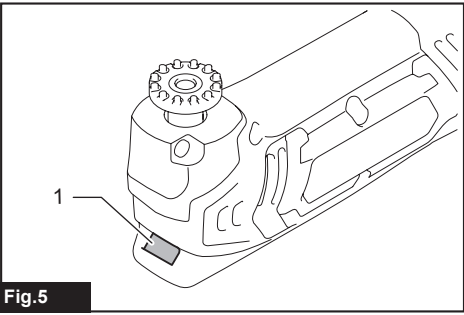
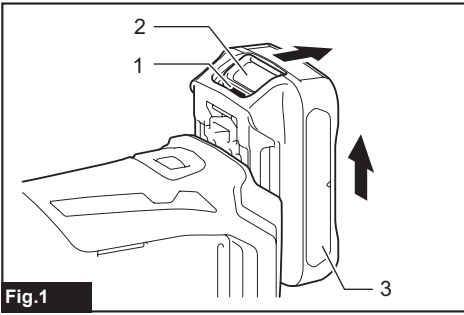




EN	Cordless Multi Tool	INSTRUCTION MANUAL	4
SV	Batteridrivet multiverktyg	BRUKSANVISNING	10
NO	Flerfunksjonsverktøy uten ledning	BRUKSANVISNING	16
FI	Akkukäyttöinen monitoimityökalu	KÄYTTÖOHJE	22
LV	Bezvadu universālais darbarīks	LIETOŠANAS INSTRUKCIJA	28
LT	Akumuliatorinis daugiafunkcis įrankis	NAUDOJIMO INSTRUKCIJA	34
ET	Juhtmeta universaaltööriist	KASUTUSJUHEND	40
RU	Аккумуляторный универсальный резак	РУКОВОДСТВО ПО ЭКСПЛУАТАЦИИ	46

TM30D





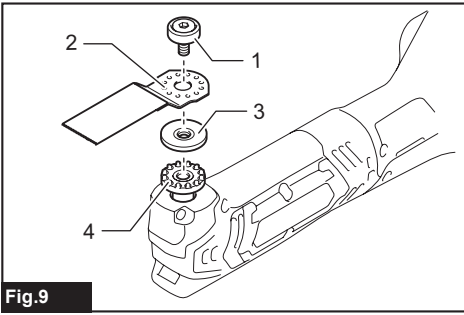


Fig.9

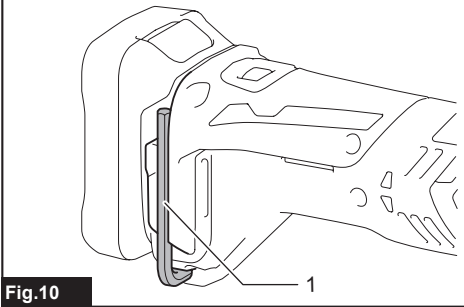


Fig.10

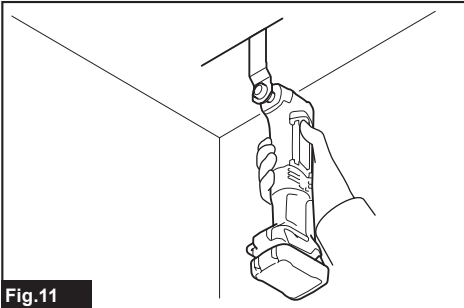


Fig.11

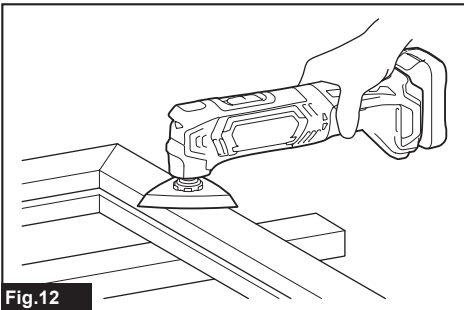


Fig.12

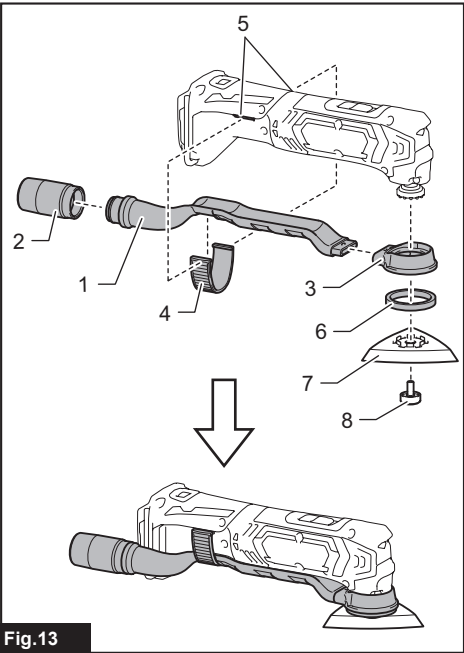


Fig.13

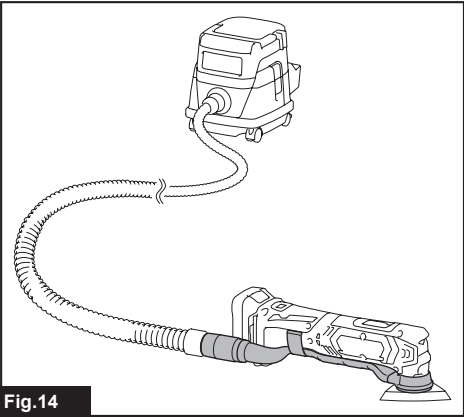


Fig.14

SPECIFICATIONS

Model:		TM30D	
Oscillation per minute		6,000 - 20,000 min ⁻¹	
Oscillation angle, left/right		1.6° (3.2° total)	
Rated voltage		D.C. 10.8 V	
Battery cartridge		BL1015, BL1020B	BL1040B
Overall length		277 mm	296 mm
Net weight	without dust extraction attachment	1.1 kg	1.2 kg
	with dust extraction attachment	1.2 kg	1.3 kg

- Due to our continuing program of research and development, the specifications herein are subject to change without notice.
- Specifications and battery cartridge may differ from country to country.
- Weight, with battery cartridge, according to EPTA-Procedure 01/2003

Intended use

The tool is intended for sawing and cutting wood, plastic, gypsum, non-ferrous metals, and fastening elements (e. g. unhardened nails and staples). It is also intended for working soft wall tiles, as well as dry sanding and scraping of small surfaces. It is especially for working close to edge and flush cutting.

Noise

The typical A-weighted noise level determined according to EN60745:

Work mode: Sanding

Sound pressure level (L_{pA}) : 75 dB(A)

Uncertainty (K) : 3 dB(A)

The noise level under working may exceed 80 dB (A).

Work mode: Cutting with plunge cut saw blade

Sound pressure level (L_{pA}) : 82 dB(A)

Sound power level (L_{WA}) : 93 dB (A)

Uncertainty (K) : 3 dB(A)

Work mode: Cutting with segmental saw blade

Sound pressure level (L_{pA}) : 81 dB(A)

Sound power level (L_{WA}) : 92 dB(A)

Uncertainty (K) : 3 dB(A)

Work mode: Scraping

Sound pressure level (L_{pA}) : 81 dB(A)

Sound power level (L_{WA}) : 92 dB (A)

Uncertainty (K) : 3 dB(A)

⚠ WARNING: Wear ear protection.

Vibration

The vibration total value (tri-axial vector sum) determined according to EN60745:

Work mode: Sanding

Vibration emission (a_h) : 2.5 m/s² or less

Uncertainty (K) : 1.5 m/s²

Work mode: Cutting with plunge cut saw blade

Vibration emission (a_h) : 10.5 m/s²

Uncertainty (K) : 1.5 m/s²

Work mode: Cutting with segmental saw blade

Vibration emission (a_h) : 5.5 m/s²

Uncertainty (K) : 1.5 m/s²

Work mode: Scraping

Vibration emission (a_h) : 9.0 m/s²

Uncertainty (K) : 1.5 m/s²

NOTE: The declared vibration emission value has been measured in accordance with the standard test method and may be used for comparing one tool with another.

NOTE: The declared vibration emission value may also be used in a preliminary assessment of exposure.

⚠ WARNING: The vibration emission during actual use of the power tool can differ from the declared emission value depending on the ways in which the tool is used.

⚠ WARNING: Be sure to identify safety measures to protect the operator that are based on an estimation of exposure in the actual conditions of use (taking account of all parts of the operating cycle such as the times when the tool is switched off and when it is running idle in addition to the trigger time).

EC Declaration of Conformity

For European countries only

Makita declares that the following Machine(s):

Designation of Machine: Cordless Multi Tool

Model No./ Type: TM30D

Conforms to the following European Directives:

2006/42/EC

They are manufactured in accordance with the following

standard or standardized documents: EN60745

The technical file in accordance with 2006/42/EC is

available from:

Makita, Jan-Baptist Vinkstraat 2, 3070, Belgium

24.9.2015

Yasushi Fukaya

Yasushi Fukaya
Director
Makita, Jan-Baptist Vinkstraat 2, 3070, Belgium

SAFETY WARNINGS

General power tool safety warnings

⚠ WARNING: Read all safety warnings and all instructions. Failure to follow the warnings and instructions may result in electric shock, fire and/or serious injury.

Save all warnings and instructions for future reference.

The term "power tool" in the warnings refers to your mains-operated (corded) power tool or battery-operated (cordless) power tool.

Cordless multi tool safety warnings

- This power tool is intended to function for sawing, cutting, grinding and sanding. Read all safety warnings, instructions, illustrations and specifications provided with this power tool.** Failure to follow all instructions listed below may result in electric shock, fire and/or serious injury.
- Hold power tool by insulated gripping surfaces, when performing an operation where the cutting accessory may contact hidden wiring.** Cutting accessory contacting a "live" wire may make exposed metal parts of the power tool "live" and could give the operator an electric shock.
- Use clamps or another practical way to secure and support the workpiece to a stable platform.** Holding the work by hand or against your body leaves it unstable and may lead to loss of control.
- Always use safety glasses or goggles. Ordinary eye or sun glasses are NOT safety glasses.**
- Avoid cutting nails. Inspect workpiece for any nails and remove them before operation.**
- Hold the tool firmly.**
- Make sure the application tool is not contacting the workpiece before the switch is turned on.**
- Keep hands away from moving parts.**
- Do not leave the tool running. Operate the tool only when hand-held.**
- Always switch off and wait for the blade to come to a complete stop before removing the blade from the workpiece.**
- Do not touch the application tool or the workpiece immediately after operation; they may be extremely hot and could burn your skin.**
- Do not operate the tool at no-load unnecessarily.**
- Always use the correct dust mask/respirator for the material and application you are working with.**
- Some material contains chemicals which may be toxic. Take caution to prevent dust inhalation and skin contact. Follow material supplier safety data.**
- This tool has not been waterproofed, so do not use water on the workpiece surface.**
- Ventilate your work area adequately when you perform sanding operations.**
- Use of this tool to sand some products, paints and wood could expose user to dust containing hazardous substances. Use appropriate respiratory protection.**
- Be sure that there are no cracks or breakage on the pad before use. Cracks or breakage may cause a personal injury.**
- Do not use accessories which are not specifically designed and recommended by the tool manufacturer. Just because the accessory can be attached to your power tool, it does not assure safe operation.**
- Wear personal protective equipment. Depending on application, use face shield, safety goggles or safety glasses. As appropriate, wear hearing protectors, gloves and workshop apron capable of stopping small abrasive or workpiece fragments.** The eye protection must be capable of stopping flying debris generated by various operations. The dust mask or respirator must be capable of filtering particles generated by your operation. Prolonged exposure to high intensity noise may cause hearing loss.
- Keep bystanders a safe distance away from work area. Anyone entering the work area must wear personal protective equipment.** Fragments of workpiece or of a broken accessory may fly away and cause injury beyond immediate area of operation.
- Never lay the power tool down until the accessory has come to a complete stop.** The spinning accessory may grab the surface and pull the power tool out of your control.
- Do not run the power tool while carrying it at your side.** Accidental contact with the accessory could snag your clothing, pulling the accessory into your body.
- Do not operate the power tool near flammable materials.** Sparks could ignite these materials.
- Do not use accessories that require liquid coolants.** Using water or other liquid coolants may result in electrocution or shock.
- Always be sure that the tool is switched off and unplugged or that the battery cartridge is removed before carrying out any work on the tool.**
- Always be sure you have a firm footing. Be sure no one is below when using the tool in high locations.**

SAVE THESE INSTRUCTIONS.

⚠WARNING: DO NOT let comfort or familiarity with product (gained from repeated use) replace strict adherence to safety rules for the subject product. MISUSE or failure to follow the safety rules stated in this instruction manual may cause serious personal injury.

Important safety instructions for battery cartridge

1. Before using battery cartridge, read all instructions and cautionary markings on (1) battery charger, (2) battery, and (3) product using battery.
2. Do not disassemble battery cartridge.
3. If operating time has become excessively shorter, stop operating immediately. It may result in a risk of overheating, possible burns and even an explosion.
4. If electrolyte gets into your eyes, rinse them out with clear water and seek medical attention right away. It may result in loss of your eyesight.
5. Do not short the battery cartridge:
 - (1) Do not touch the terminals with any conductive material.
 - (2) Avoid storing battery cartridge in a container with other metal objects such as nails, coins, etc.
 - (3) Do not expose battery cartridge to water or rain.

A battery short can cause a large current flow, overheating, possible burns and even a breakdown.

6. Do not store the tool and battery cartridge in locations where the temperature may reach or exceed 50 °C (122 °F).
7. Do not incinerate the battery cartridge even if it is severely damaged or is completely worn out. The battery cartridge can explode in a fire.
8. Be careful not to drop or strike battery.
9. Do not use a damaged battery.
10. The contained lithium-ion batteries are subject to the Dangerous Goods Legislation requirements.

For commercial transports e.g. by third parties, forwarding agents, special requirement on packaging and labeling must be observed.

For preparation of the item being shipped, consulting an expert for hazardous material is required. Please also observe possibly more detailed national regulations.

Tape or mask off open contacts and pack up the battery in such a manner that it cannot move around in the packaging.

11. Follow your local regulations relating to disposal of battery.

SAVE THESE INSTRUCTIONS.

⚠CAUTION: Only use genuine Makita batteries. Use of non-genuine Makita batteries, or batteries that have been altered, may result in the battery bursting causing fires, personal injury and damage. It will also void the Makita warranty for the Makita tool and charger.

Tips for maintaining maximum battery life

1. Charge the battery cartridge before completely discharged. Always stop tool operation and charge the battery cartridge when you notice less tool power.
2. Never recharge a fully charged battery cartridge. Overcharging shortens the battery service life.
3. Charge the battery cartridge with room temperature at 10 °C - 40 °C (50 °F - 104 °F). Let a hot battery cartridge cool down before charging it.

FUNCTIONAL DESCRIPTION

⚠CAUTION: Always be sure that the tool is switched off and the battery cartridge is removed before adjusting or checking function on the tool.

Installing or removing battery cartridge

⚠CAUTION: Always switch off the tool before installing or removing of the battery cartridge.

⚠CAUTION: Hold the tool and the battery cartridge firmly when installing or removing battery cartridge. Failure to hold the tool and the battery cartridge firmly may cause them to slip off your hands and result in damage to the tool and battery cartridge and a personal injury.

► Fig.1: 1. Red indicator 2. Button 3. Battery cartridge

To remove the battery cartridge, slide it from the tool while sliding the button on the front of the cartridge.

To install the battery cartridge, align the tongue on the battery cartridge with the groove in the housing and slip it into place. Insert it all the way until it locks in place with a little click. If you can see the red indicator on the upper side of the button, it is not locked completely.

⚠CAUTION: Always install the battery cartridge fully until the red indicator cannot be seen. If not, it may accidentally fall out of the tool, causing injury to you or someone around you.

⚠CAUTION: Do not install the battery cartridge forcibly. If the cartridge does not slide in easily, it is not being inserted correctly.

Battery protection system

The tool is equipped with a battery protection system. This system automatically cuts off power to the motor to extend battery life.

The tool will automatically stop during operation if the tool and/or battery are placed under one of the following conditions:

Overloaded:

The tool is operated in a manner that causes it to draw an abnormally high current.

In this situation, turn the tool off and stop the application that caused the tool to become overloaded. Then turn the tool on to restart.

If the tool does not start, the battery is overheated. In this situation, let the battery cool before turning the tool on again.

Low battery voltage:









The remaining battery capacity is too low and the tool will not operate. If you turn the tool on, the motor runs again but stops soon. In this situation, remove and recharge the battery.

Indicating the remaining battery capacity

Only for battery cartridges with "B" at the end of the model number

► **Fig.2:** 1. Indicator lamps 2. Check button

Press the check button on the battery cartridge to indicate the remaining battery capacity. The indicator lamps light up for few seconds.

Indicator lamps		Remaining capacity
Lighted	Off	
		75% to 100%
		50% to 75%
		25% to 50%
		0% to 25%

NOTE: Depending on the conditions of use and the ambient temperature, the indication may differ slightly from the actual capacity.

Switch action

CAUTION: Before installing the battery cartridge into the tool, always check to see that the tool is switched off.

► **Fig.3:** 1. Slide switch

To start the tool, slide the slide switch toward the "I (ON)" position.

To stop the tool, slide the slide switch toward the "O (OFF)" position.

Adjusting the orbital stroke rate

► **Fig.4:** 1. Dial

The orbital stroke rate is adjustable. To change the orbital stroke rate, turn the dial between 1 and 5. The higher the number is, the higher the orbital stroke rate is. Preset the dial to the number suitable for your workpiece.

NOTE: The dial cannot be turned directly from 1 to 5 or from 5 to 1. Forcing the dial may damage the tool. When changing the dial direction, always turn the dial moving it through each intermediate number.

Lighting up the front lamp

CAUTION: Do not look in the light or see the source of light directly.

► **Fig.5:** 1. Front lamp

Slide the slide switch toward the "I (ON)" position to light up the front lamp. The lamp keeps on lighting while the switch is the "I (ON)" position.

The light automatically goes out after pressing the rear of the slide switch, and then sliding the slide switch toward the "O (OFF)" position.

Overload protection

When the tool is overloaded and temperature of the tool or the battery cartridge reaches a certain level, the front lamp blinks and the tool automatically stops. Remove a cause of overload, and cool down the tool and the battery cartridge to restart.

ASSEMBLY

CAUTION: Always be sure that the tool is switched off and the battery cartridge is removed before carrying out any work on the tool.

Installing or removing application tool

Optional accessory

WARNING: Do not install application tool upside down. Installing application tool upside down may damage the tool and cause serious personal injury.

NOTE: Install application tool in the correct direction according to your work. Application tool can be installed at an angle of every 30 degree.

To Install an application tool (optional accessory), put the application tool on the tool flange so that the protrusions of the tool flange fit in the holes in the application tool. Then secure the application tool by tightening the bolt firmly with the hex wrench.

► **Fig.6:** 1. Protrusions of the tool flange 2. Holes in the application tool 3. Application tool installation bolt

- **Fig.7:** 1. Application tool installation bolt 2. Hex wrench 3. Tighten

To remove the application tool, loosen and remove the application tool installation bolt using a hex wrench and then take off the application tool.

When using the tool as a sander, set a sanding paper on the sanding pad (hook and loop fitting). Make sure that their shape and dust extraction holes match each other when setting.

- **Fig.8:** 1. Sanding pad 2. Tighten 3. Sanding paper

To remove the sanding paper, raise its end and peel it off.

When using application tools with a different type of installation section, use a correct adapter (optional accessory).

- **Fig.9:** 1. Application tool installation bolt 2. Holes in the application tool 3. Adapter (required for some application tools) 4. Protrusions of the tool flange

Hex wrench storage

- **Fig.10:** 1. Hex wrench

When not in use, store the hex wrench as shown in the figure to keep it from being lost.

OPERATION

⚠WARNING: Before starting the tool and during operation, keep your hand and face away from the application tool.

⚠CAUTION: Do not apply excessive load to the tool which may cause a motor lock and stop the tool.

⚠CAUTION: Do not operate the tool with pressing the battery cartridge against the tool.

Cutting, sawing and scraping

⚠CAUTION: Do not move on the tool forcibly in the direction (eg. towards either side) of tool application with no cutting edge. It may damage the tool.

- **Fig.11**

Put the application tool on the workpiece. And then move the tool forward so that the application tool movement does not slow down.

NOTE: Forcing or excessive pressure on the tool may reduce efficiency.

NOTE: Before cutting operation, it is recommended to preset the orbital stroke rate 3 - 5.

Sanding

⚠CAUTION: Do not reuse a sanding paper used for sanding metal to sand wood.

⚠CAUTION: Do not use a worn sanding paper or sanding paper without grit.

Apply a sanding paper on the workpiece.

- **Fig.12**

NOTE: Using a test material sample to try is recommendable to determine a correct orbital stroke rate suitable for your work.

NOTE: Use a sanding paper with the same grit until sanding the whole workpiece is completed. Replacing a sanding paper with different grit sanding paper may not get a fine finish.

Dust extraction attachment

Optional accessory

⚠CAUTION: Do not use the dust extraction attachment when sanding metal. Sucking spark and hot particle results in smoking and ignition.

- **Fig.13:** 1. Dust nozzle 2. Joint 3. Dust attachment 4. Nozzle band 5. Holes in the tool 6. Felt ring 7. Sanding pad 8. Application tool installation bolt

1. Install joint, dust nozzle and dust attachment.
2. Install the nozzle band on the tool so that its protrusions fit in the holes in the tool to secure it.
3. Put the felt ring and the sanding pad on the dust attachment and then secure them with the application tool installation bolt.

To perform cleaner operation, connect a vacuum cleaner to the tool. Connect a hose of vacuum cleaner to the dust extraction attachment (optional accessory).

- **Fig.14**

MAINTENANCE

⚠CAUTION: Always be sure that the tool is switched off and the battery cartridge is removed before attempting to perform inspection or maintenance.

NOTICE: Never use gasoline, benzine, thinner, alcohol or the like. Discoloration, deformation or cracks may result.

To maintain product SAFETY and RELIABILITY, repairs, any other maintenance or adjustment should be performed by Makita Authorized or Factory Service Centers, always using Makita replacement parts.

OPTIONAL ACCESSORIES

⚠ CAUTION: These accessories or attachments are recommended for use with your Makita tool specified in this manual. The use of any other accessories or attachments might present a risk of injury to persons. Only use accessory or attachment for its stated purpose.

If you need any assistance for more details regarding these accessories, ask your local Makita Service Center.

- Segment saw blade
- Round saw blade
- Plunge cut saw blade
- Scraper (rigid)
- Scraper (flexible)
- Serrated seg blade
- General joint cutter
- HM remover
- HM seg saw blade
- HM sanding plate
- Diamond seg sawblade
- Sanding pad
- Adapter
- Abrasive paper delta (red / white / black)
- Fleece delta (medium / coarse / without grit)
- Polishing felt delta
- Hex wrench
- Dust extraction attachment
- Makita genuine battery and charger

NOTE: Some items in the list may be included in the tool package as standard accessories. They may differ from country to country.

SPECIFIKATIONER

Modell:		TM30D	
Oscillerande rörelser per minut		6 000–20 000 min ⁻¹	
Oscillationsvinkel, vänster/höger		1,6° (totalt 3,2°)	
Märkspänning		10,8 V likström	
Batterikassett		BL1015, BL1020B	BL1040B
Total längd		277 mm	296 mm
Nettovikt	utan dammuppsugningstilläts	1,1 kg	1,2 kg
	med dammuppsugningstilläts	1,2 kg	1,3 kg

- På grund av vårt pågående program för forskning och utveckling kan dessa specifikationer ändras utan föregående meddelande.
- Specifikationer och batterikassett kan variera mellan olika länder.
- Vikt, med batterikassett, i enlighet med EPTA-procedure 01/2003

Avsedd användning

Verktyget är avsett för sågning och kapning i trä, plast, gips, icke järnhaltiga metaller och fästdelar (t.ex. oårhårdade spikar och häftklamrar). Det är också avsett för användning på mjukt väggkakel, för torrslipning och för skrapning av små ytor. Det är särskilt avsett för arbeten i hörn och för slät kapning.

Buller

Den normala bullernivån för A-belastning är bestämd enligt EN60745:

Arbetsläge: Slipning

Ljudtrycksnivå (L_{pA}): 75 dB (A)

Måttolerans (K): 3 dB (A)

Bullernivån vid arbete kan överstiga 80 dB (A).

Arbetsläge: Kapa med dyksågblad

Ljudtrycksnivå (L_{pA}): 82 dB (A)

Ljudeffektnivå (L_{WA}): 93 dB (A)

Måttolerans (K): 3 dB (A)

Arbetsläge: Kapa med segmentsågblad

Ljudtrycksnivå (L_{pA}): 81 dB (A)

Ljudeffektnivå (L_{WA}): 92 dB (A)

Måttolerans (K): 3 dB (A)

Arbetsläge: Skrapning

Ljudtrycksnivå (L_{pA}): 81 dB (A)

Ljudeffektnivå (L_{WA}): 92 dB (A)

Måttolerans (K): 3 dB (A)

⚠ VARNING: Använd hörselskydd.

Vibration

Det totala vibrationsvärdet (treaxlad vektorsumma) bestämt enligt EN60745:

Arbetsläge: Slipning

Vibrationsemission (a_h): 2,5 m/s² eller lägre

Måttolerans (K): 1,5 m/s²

Arbetsläge: Kapa med dyksågblad

Vibrationsemission (a_h): 10,5 m/s²

Måttolerans (K): 1,5 m/s²

Arbetsläge: Kapa med segmentsågblad

Vibrationsemission (a_h): 5,5 m/s²

Måttolerans (K): 1,5 m/s²

Arbetsläge: Skrapning

Vibrationsemission (a_h): 9,0 m/s²

Måttolerans (K): 1,5 m/s²

OBS: Det deklarerade vibrationsemissionsvärdet har uppmätts i enlighet med standardtestmetoden och kan användas för att jämföra en maskin med en annan.

OBS: Det deklarerade vibrationsemissionsvärdet kan också användas i en preliminär bedömning av exponering för vibration.

⚠ VARNING: Vibrationsemissionen under faktisk användning av maskinen kan skilja sig från det deklarerade emissionsvärdet, beroende på hur maskinen används.

⚠ VARNING: Var noga med att identifiera säkerhetsåtgärder för att skydda användaren, vilka är grundade på en uppskattning av graden av exponering för vibrationer under de faktiska användningsförhållandena, (ta, förutom avtryckartiden, med alla delar av användarcykeln i beräkningen, som till exempel tiden då maskinen är avstängd och när den går på tomgång).

EU-konformitetsdeklaration

Gäller endast inom EU

Makita försäkras att följande maskiner:

Maskinbeteckning: Batteridrivet multiverktyg

Modellnr./-typ: TM30D

Följer följande EU-direktiv: 2006/42/EC

De är tillverkade i enlighet med följande standard eller standardiseringsdokument: EN60745

Den tekniska dokumentationen i enlighet med 2006/42/EC finns tillgänglig från:

Makita, Jan-Baptist Vinkstraat 2, 3070, Belgium
24.9.2015

SÄKERHETSVARNINGAR

Allmänna säkerhetsvarningar för maskiner

⚠ VARNING: Läs igenom alla säkerhetsvarningar och anvisningar. Underlåtenhet att följa varningar och instruktioner kan leda till elstöt, brand och/eller allvarliga personskador.

Spara alla varningar och instruktioner för framtida referens.

Termen "maskin" som anges i varningarna hänvisar till din eldrivna maskin (sladdansluten) eller batteridrivna maskin (sladdlös).

Säkerhetsvarningar för batteridrivet multiverktyg

1. Detta verktyg är avsett att användas för sågning, kapning, avslipning och slipning. Läs alla säkerhetsvarningar, anvisningar, illustrationer och specifikationer som medföljer det här verktyget. Underlåtenhet att följa instruktionerna kan leda till elstöt, brand och/eller allvarliga personskador.
2. Håll verktyget i de isolerade handtagen om det finns risk för att sågverktyget kan komma i kontakt med en dold elkabel. Om sågverktyget kommer i kontakt med en strömförande ledning blir verktygets blottlagda metalldelar strömförande och kan ge användaren en elektrisk stöt.
3. Använd tvingar eller liknande för att säkra och stödja arbetsstycket på ett stabilt underlag. Att hålla arbetsstycket i händerna eller mot kroppen ger inte tillräckligt stöd, och du riskerar då att förlora kontrollen.
4. Använd alltid skyddsglasögon. Vanliga glasögon och solglasögon är INTE skyddsglasögon.
5. Undvik att säga i spik. Ta bort alla spikar i arbetsstycket innan du säger.
6. Håll verktyget i ett fast grepp.
7. Se till att verktyget inte är i kontakt med arbetsstycket innan du aktiverar knappen.
8. Håll händerna borta från rörliga delar.
9. Lämna inte verktyget igång. Använd endast verktyget när du håller det i händerna.
10. Stäng av verktyget och vänta tills bladet stannat helt innan bladet avlägsnas från arbetsstycket.
11. Rör inte vid tillsatsverktyget eller arbetsstycket omedelbart efter användning eftersom de kan vara mycket heta och orsaka brännskador.

12. Använd inte verktyget obelastat i onödan.
13. Använd alltid dammask eller andningsrespirator som är anpassad efter det material du arbetar med och de förhållanden du arbetar under.
14. Vissa material kan innehålla giftiga kemikalier. Se till att du inte andas in dammet eller får något på huden. Följ anvisningarna i leverantörens materialsäkerhetsblad.
15. Detta verktyg är inte vattentätt. Använd därför inte vatten på arbetsstyckets yta.
16. Ventilera arbetsplatsen ordentligt när du utför sliparbeten.
17. Om verktyget används för slipning av vissa produkter, färger och trä kan användaren utsättas för damm som innehåller farliga ämnen. Använd lämpligt andningsskydd.
18. Innan verktyget börjar användas ska du kontrollera att underlagsplattan inte är sprucken eller trasig. Sprickor i eller skador på underlagsplattan kan orsaka personskador.
19. Använd inte tillbehör som inte är särskilt utformade för verktyget eller som inte uttryckligen rekommenderas av verktygets tillverkare. Även om ett tillbehör kan fästas på verktyget garanterar inte detta säker drift.
20. Använd personlig skyddsutrustning. Använd visir, korgglasögon eller skyddsglasögon beroende på arbetsuppgift. Om det är tillbörligt använder du hörselskydd, handskar och verkstadsförkläde som ger skydd mot avskrap eller små fragment från arbetsstycket. Ögonskyddet måste kunna stoppa fragment som spritter iväg under pågående arbete. Dammskyddet eller andningsskyddet måste kunna filtrera partiklar som uppstår vid olika arbetsuppgifter. Långvarig exponering för kraftigt buller kan orsaka hörselskador.
21. Håll personer i omgivningen på säkert avstånd från arbetsområdet. Alla som befinner sig i arbetsområdet måste använda skyddsutrustning. Delar av arbetsstycket eller defekta tillbehör kan spritta iväg och skada åskådare även utanför arbetsområdet.
22. Lagg aldrig elverktyget åt sidan förrän det har stannat helt. Det roterande tillbehöret kan gripa tag i underlaget så att du förlorar kontrollen över verktyget.
23. Kör inte verktyget samtidigt som du bär det med dig. Oavsiktlig kontakt med tillbehöret kan få det att trasslas in i dina kläder så att det dras in mot din kropp.
24. Använd inte verktyget i närheten av lättantändligt material. Annars finns risken att gnistor antänder materialet.
25. Använd inte tillbehör som kräver flytande kylmedel. Att använda vatten eller andra flytande kylmedel kan orsaka dödsfall eller elektriska stötter.
26. Se alltid till att verktyget är avstängt och att sladden är utdragen ur uttaget eller att batterikassetten är borttagen innan underhåll utförs.
27. Se till att alltid ha ordentligt fotfäste. Se till att ingen står under dig när verktyget används på hög höjd.

SPARA DESSA ANVISNINGAR.

⚠ VARNING: GLÖM INTE att också fortsättningsvis strikt följa säkerhetsanvisningarna för maskinen även efter att du blivit van att använda den. Vid FELAKTIG HANTERING av maskinen eller om inte säkerhetsanvisningarna i denna bruksanvisning följs kan följden bli allvarliga personskadorna.

Viktiga säkerhetsanvisningar för batterikassetten

1. Innan batterikassetten används ska alla instruktioner och varningsmärken på (1) batteriladdaren, (2) batteriet och (3) produkten läsas.
2. Montera inte isär batterikassetten.
3. Om drifttiden blivit avsevärt kortare ska användningen avbrytas omedelbart. Det kan uppstå överhettning, brännskador och t o m en explosion.
4. Om du får elektrolyt i ögonen ska de sköljas med rent vatten och läkare uppsökas omedelbart. Det finns risk för att synen förloras.
5. Kortslut inte batterikassetten.
 - (1) Rör inte vid polerna med något strömförande material.
 - (2) Undvik att förvara batterikassetten tillsammans med andra metallobjekt som t.ex. spikar, mynt o.s.v.
 - (3) Skydda batteriet mot vatten och regn. En batterikortslutning kan orsaka ett stort strömlöfte, överhettning, brand och maskinhaveri.
6. Förvara inte maskinen och batterikassetten på platser där temperaturen kan nå eller överstiga 50 °C.
7. Bränn inte upp batterikassetten även om den är svårt skadad eller helt utsliten. Batterikassetten kan explodera i öppen eld.
8. Var försiktig så att du inte råkar tappa batteriet och utsätt det inte för stötar.
9. Använd inte ett skadat batteri.
10. De medföljande litiumjonbatterierna är föremål för kraven i gällande lagstiftning för farligt gods.

För kommersiella transporter (av t.ex. tredje parter som speditionsfirmor) måste de särskilda transportkrav som anges på emballaget och etiketter iakttas.

För att förbereda den produkt som ska avsändas krävs att du konsulterar en expert på riskmaterial. Var också uppmärksam på att det i ditt land kan finnas ytterligare föreskrifter att följa. Tejpa över eller maskera blottade kontakter och packa batteriet på sådant sätt att det inte kan röra sig fritt i förpackningen.
11. Följ lokala föreskrifter beträffande avfallshandling av batterier.

SPARA DESSA ANVISNINGAR.

⚠ FÖRSIKTIGT: Använda endast äkta Makita-batterier. Användning av oäkta Makita-batterier eller batterier som har manipulerats kan leda till person- och utrustningsskador eller till att batteriet fattar eld. Det upphäver också Makitas garanti för verktyget och laddaren.

Tips för att uppnå batteriets maximala livslängd

1. Ladda batterikassetten innan den är helt urladdad. Stanna alltid maskinen och ladda batterikassetten när du märker att maskinen blir svagare.
2. Ladda aldrig en fulladdad batterikasset. Överladdning förkortar batteriets livslängd.
3. Ladda batterikassetten vid en rumstemperatur på 10 °C - 40 °C. Låt en varm batterikasset svalna innan den laddas.

FUNKTIONSBSKRIVNING

⚠ FÖRSIKTIGT: Se alltid till att maskinen är avstängd och batterikassetten borttagen innan du justerar maskinen eller kontrollerar dess funktioner.

Montera eller demontera batterikassetten

⚠ FÖRSIKTIGT: Stäng alltid av maskinen innan du monterar eller tar bort batterikassetten.

⚠ FÖRSIKTIGT: Håll stadigt i maskinen och batterikassetten när du monterar eller tar bort batterikassetten. I annat fall kan det leda till att de glider ur dina händer och orsakar skada på maskinen och batterikassetten samt personskada.

► Fig. 1: 1. Röd indikator 2. Knapp 3. Batterikasset

Ta bort batterikassetten genom att skjuta ner knappen på kassetten framsida samtidigt som du drar ut batterikassetten.

Sätt i batterikassetten genom att rikta in tungan på batterikassetten mot spåret i höljet och skjut den på plats. Tryck in batterikassetten ordentligt tills den låser fast med ett klick. Om du kan se den röda indikatorn på knappens ovansida är den inte låst ordentligt.

⚠ FÖRSIKTIGT: Sätt alltid i batterikassetten helt tills den röda indikatorn inte längre syns. I annat fall kan den oväntat falla ur maskinen och skada dig eller någon annan.

⚠ FÖRSIKTIGT: Montera inte batterikassetten med våld. Om kassetten inte lätt glider på plats är den felinsatt.

Skyddssystem för batteri

Maskinen är utrustad med ett batteriskyddssystem. Detta system bryter automatiskt strömmen till motorn för att förlänga batteriets livslängd.

Maskinen stoppas automatiskt under pågående användning om någon av följande situationer uppstår:

Överbelastning:

Maskinen används på ett sätt som gör att den förbrukar onormalt mycket ström.

När detta sker stänger du av maskinen och upphör med arbetet som gjorde att maskinen överbelastades. Starta därefter upp maskinen igen.

Om maskinen inte startar är batteriet överhettat. Låt då batteriet svalna innan du startar maskinen igen.

Batterispänningen faller:









Den kvarvarande batterikapaciteten är för låg och maskinen fungerar inte. Om du trycker in avtryckaren går motorn igång men stannar snart igen. I detta läge tar du bort batteriet och laddar det.

Indikerar kvarvarande batterikapacitet

Gäller endast för batterikassetter med ett "B" på slutet i modellnumret

► **Fig.2:** 1. Indikatorlampor 2. Kontrollknapp

Tryck på kontrollknappen på batterikassetten för att se kvarvarande batterikapacitet. Indikatorlamporna lyser i ett par sekunder.

Indikatorlampor		Återstående kapacitet
Upplyst	Av	
		75% till 100%
		50% till 75%
		25% till 50%
		0% till 25%

OBS: Beroende på användningsförhållanden och den omgivande temperaturen kan indikationen skilja sig lätt från den faktiska batterikapaciteten.

Avtryckarens funktion

⚠ FÖRSIKTIGT: Kontrollera alltid att verktyget är avstängt innan du monterar batterikassetten i verktyget.

► **Fig.3:** 1. Skjutknapp

Starta verktyget genom att föra skjutknappen mot läget "I (ON)".

Stoppa verktyget genom att föra skjutknappen mot läget "O (OFF)".

Justering av den roterande slagfrekvensen

► **Fig.4:** 1. Ratt

Den roterande slagfrekvensen är justerbar. Vrid rattan till ett nummer mellan 1 och 5 för att ändra den roterande slagfrekvensen. Ju högre värde, desto högre är den roterande slagfrekvensen. Förinställ rattan till det värde som är lämpligt för ditt arbetsstycke.

OBS: Rattan kan inte vridas direkt från 1 till 5 eller från 5 till 1. Om rattan vrids med för mycket kraft kan verktyget ta skada. När du ändrar rattans riktning ska du alltid vrida rattan genom varje siffra.

Tända frontlampan

⚠ FÖRSIKTIGT: Titta inte in i ljuset eller direkt i ljuskällan.

► **Fig.5:** 1. Frontlampa

För skjutknappen mot läget "I (ON)" för att tända frontlampan. Lampan fortsätter att lysa så länge knappen är i läget "I (ON)".

Ljuset släcks automatiskt när du trycker på den bakre delen av skjutknappen och sedan för skjutknappen mot läget "O (OFF)".

Överbelastningsskydd

När verktyget är överbelastat och temperaturen i verktyget eller batterikassetten når en viss nivå blinkar frontlampan och verktyget stannar automatiskt. Undanröj orsaken till överbelastningen, låt verktyget och batterikassetten svalna helt och starta sedan om verktyget.

MONTERING

⚠ FÖRSIKTIGT: Se alltid till att maskinen är avstängd och batterikassetten borttagen innan du underhåller maskinen.

Montering eller demontering av tillsatsverktyg

Valfria tillbehör

⚠ VARNING: Tillsatsverktyget får inte monteras upp och ned. I annat fall kan verktyget ta skada, med allvarliga personskador som följd.

OBS: Montera tillsatsverktyget i rätt riktning för arbetsuppgiften. Tillsatsverktyget kan monteras vid varje 30-gradiga vinkel.

För att montera ett tillsatsverktyg (extra tillbehör) placerar du tillsatsverktyget på verktygsflänsen så att verktygsflänsens utsprång passar in i hålen på tillsatsverktyget. Säkra sedan tillsatsverktyget på plats genom att dra åt bulten ordentligt med insexnyckeln.

► **Fig.6:** 1. Utsprång på verktygsflänsen 2. Hål i tillsatsverktyget 3. Monteringsbult för tillsatsverktyget

- **Fig.7:** 1. Monteringsbult för tillsatsverktyget
2. Insexnyckel 3. Dra åt

När du vill ta bort tillsatsverktyget lossar du först på monteringsbulten med en insexnyckel, och tar sedan bort bulten och tillsatsverktyget.

När du använder verktyget som en slipmaskin sätter du fast ett sandpapper på slipplattan (kardborrfästning). Se till att dammhålen på sandpappret respektive slipplattan passas in exakt mot varandra och att formen överensstämmer.

- **Fig.8:** 1. Slipplatta 2. Dra åt 3. Sandpapper

När du vill ta bort sandpappret lyfter du i ena änden och drar av det.

När tillsatsverktyg används med en annan typ av monteringssektion måste korrekt adapter (valfritt tillbehör) användas.

- **Fig.9:** 1. Monteringsbult för tillsatsverktyget
2. Hål i tillsatsverktyget 3. Adapter (krävs för vissa tillsatsverktyg) 4. Utsprång på verktygsflänsen

Förvaring av insexnyckel

- **Fig.10:** 1. Insexnyckel

Förvara insexnyckeln enligt figuren när den inte används, så att du alltid har den till hands.

ANVÄNDNING

⚠ VARNING: Håll fingrarna och ansiktet på behörigt avstånd från tillsatsverktyget innan du startar verktyget och när du använder det.

⚠ FÖRSIKTIGT: Tryck inte för mycket på verktyget, då det kan orsaka motorflåsning och leda till att verktyget stannar.

⚠ FÖRSIKTIGT: Tryck inte batterikassetten mot verktyget under användning.

Kapning, sågning och skrapning

⚠ FÖRSIKTIGT: Använd inte överdriven kraft för att tvinga verktyget i tillsatsverktygets riktning (t.ex. mot endera sidan) när det inte finns någon skärkant. I annat fall kan verktyget ta skada.

- **Fig.11**

Placera verktyget på arbetsstycket. För sedan verktyget framåt så att tillsatsverktygets rörelse inte saktas ned.

OBS: Om överdriven kraft används för att tvinga verktyget i en riktning eller för att trycka verktyget nedåt kan detta minska dess effektivitet.

OBS: Före hyvlingsarbete rekommenderar vi att du förställer den roterande slagfrekvensen till 3–5.

Slipning

⚠ FÖRSIKTIGT: Använd inte ett sandpapper som redan använts för att slipa metall till att slipa trä.

⚠ FÖRSIKTIGT: Använd inte ett slitet sandpapper eller sandpapper utan sandkorn.

Placera sandpappret på arbetsstycket.

- **Fig.12**

OBS: Vi rekommenderar att du provar på ett testmaterial för att bestämma vilken roterande slagfrekvens som passar för ditt arbete.

OBS: Använd ett sandpapper med samma kornstorlek tills hela arbetsstycket är slipat. Om ett sandpapper byts ut mot ett med en annan kornstorlek kan det hända att ytan inte blir slät.

Dammuppsugningstillsats

Valfria tillbehör

⚠ FÖRSIKTIGT: Använd inte dammuppsugningstillsatsen vid slipning av metall. Gnistor och heta korn kan ge upphov till rökbildning och antändning.

- **Fig.13:** 1. Dammunstycke 2. Koppling
3. Dammtillsats 4. Band till munstycket
5. Hål i verktyget 6. Filtring 7. Slipplatta
8. Monteringsbult för tillsatsverktyget

1. Montera kopplingen, dammunstycket och dammtillsatsen.
2. Montera munstyckets band på verktyget, så att dess utskjutande delar passar in i hålen i verktyget för att fästa det.
3. Placera filtringen och slipplattan på dammtillsatsen, och fäst dem sedan med tillsatsverktygets monteringsbult.

Anslut en dammsugare till verktyget när du vill hålla rent under pågående arbete. Anslut en dammsugarslang till dammuppsugningstillsatsen (valfritt tillbehör).

- **Fig.14**

UNDERHÅLL

⚠ FÖRSIKTIGT: Se alltid till att maskinen är avstängd och batterikassetten borttagen innan inspektion eller underhåll utförs.

OBSERVERA: Använd inte bensin, förtunningsmedel, alkohol eller liknande. Missfärgning, deformation eller sprickor kan uppstå.

För att upprätthålla produktens SÄKERHET och TILLFÖRLITLIGHET bör allt underhålls- och justeringsarbete utföras av ett auktoriserat Makita servicecenter och med reservdelar från Makita.

VALFRIA TILLBEHÖR

⚠ FÖRSIKTIGT: Följande tillbehör eller tillsatser rekommenderas för användning med den Makita-maskin som denna bruksanvisning avser. Om andra tillbehör eller tillsatser används kan det uppstå risk för personskador. Använd endast tillbehören eller tillsatserna för de syften de är avsedda för.

Kontakta ditt lokala Makita servicecenter om du behöver ytterligare information om dessa tillbehör.

- Segmentsågblad
- Runt sågblad
- Dyksågblad
- Skrapa (fast)
- Skrapa (flexibel)
- Tandat segmentsågblad
- Vanlig fogskärare
- Borttagare, hårdmetall
- Segmentsågblad, hårdmetall
- Slipplatta, hårdmetall
- Diamantsegmentsågblad
- Slipplatta
- Adapter
- Slippapper, delta (rött/vitt/svart)
- Väv, delta (medium/grov/utan slipkorn)
- Poleringsfilt, delta
- Insexnyckel
- Dammuppsugningstillsats
- Makitas originalbatteri och -laddare

OBS: Några av tillbehören i listan kan vara inkluderade i maskinpaketet som standardtillbehör. De kan variera mellan olika länder.

TEKNISKE DATA

Modell:		TM30D	
Svingninger per minutt		6 000 - 20 000 min ⁻¹	
Svingningsvinkel, høyre/venstre		1,6° (3,2° totalt)	
Nominell spenning		DC 10,8 V	
Batteriinnsett		BL1015, BL1020B	BL1040B
Total lengde		277 mm	296 mm
Nettovekt	uten feste for støvavsug	1,1 kg	1,2 kg
	med feste for støvavsug	1,2 kg	1,3 kg

- På grunn av vårt kontinuerlige forsknings- og utviklingsprogram kan spesifikasjonene som oppgis i dette dokumentet endres uten varsel.
- Spesifikasjoner og batteriinnsett kan variere fra land til land.
- Vekt, med batteriinnsett, i henhold til EPTA-prosedyre 01/2003

Riktig bruk

Verkøyet er ment for saging og kapping av treverk, plast, gips, ikke-jernholdige metaller og festeelementer (som f.eks. ikke-herdede spikre og stifter). Det er også beregnet på bearbeiding av myke veggfliser, i tillegg til tørrpassing og skraping av mindre overflater. Det er spesielt beregnet for arbeid ved tette kanter og fluktutting.

Støy

Typisk A-vektet lydtryknivå er bestemt i henhold til EN60745:

Arbeidsmodus: Pushing
Lydtryknivå (L_{pA}): 75 dB (A)
Usikkerhet (K): 3 dB (A)

Støynivået under arbeid kan overskride 80 dB (A).

Arbeidsmodus: Kutting med sagblad til dyspasing
Lydtryknivå (L_{pA}): 82 dB (A)
Lydeffektnivå (L_{WA}): 93 dB (A)
Usikkerhet (K): 3 dB (A)

Arbeidsmodus: Kutting med segmentsagblad

Lydtryknivå (L_{pA}): 81 dB (A)
Lydeffektnivå (L_{WA}): 92 dB (A)
Usikkerhet (K): 3 dB (A)

Arbeidsmodus: Skraping

Lydtryknivå (L_{pA}): 81 dB (A)
Lydeffektnivå (L_{WA}): 92 dB (A)
Usikkerhet (K): 3 dB (A)

ADVARSEL: Bruk hørselsvern.

Vibrasjoner

Den totale vibrasjonsverdien (triaksial vektorsum) bestemt i henhold EN60745:

Arbeidsmodus: Pushing
Genererte vibrasjoner (a_h): 2,5 m/s² eller mindre
Usikkerhet (K): 1,5 m/s²

Arbeidsmodus: Kutting med sagblad til dyspasing
Genererte vibrasjoner (a_h): 10,5 m/s²
Usikkerhet (K): 1,5 m/s²

Arbeidsmodus: Kutting med segmentsagblad

Genererte vibrasjoner (a_h): 5,5 m/s²
Usikkerhet (K): 1,5 m/s²

Arbeidsmodus: Skraping
Genererte vibrasjoner (a_h): 9,0 m/s²
Usikkerhet (K): 1,5 m/s²

MERK: Den angitte verdien for de genererte vibrasjonene er målt i samsvar med standardtestmetoden og kan brukes til å sammenlikne et verktøy med et annet.

MERK: Den angitte verdien for de genererte vibrasjonene kan også brukes til en foreløpig vurdering av eksponeringen.

ADVARSEL: De genererte vibrasjonene ved faktisk bruk av elektroverktøyet kan avvike fra den angitte vibrasjonsverdien, avhengig av hvordan verktøyet brukes.

ADVARSEL: Sørg for å identifisere vernetiltak for å beskytte operatøren, som er basert på et estimat av eksponeringen under de faktiske bruksforholdene (idet det tas hensyn til alle deler av driftssyklusen, dvs. hvor lenge verktøyet er slått av, hvor lenge det går på tomgang og hvor lenge startbryteren faktisk holdes trykket).

EF-samsvarserklæring

Gjelder kun for land i Europa

Makita erklærer at følgende maskin(er):

Maskinens bruksområde: Flerfunksjonsverktøy uten ledning

Modellnr./type: TM30D

Samsvarer med følgende europeiske direktiver: 2006/42/EC

De er produsert i henhold til følgende standarder eller standardiserte dokumenter: EN60745

Den tekniske filen i samsvar med 2006/42/EC er tilgjengelig fra:

Makita, Jan-Baptist Vinkstraat 2, 3070, Belgia
24.9.2015

Yasushi Fukaya

Yasushi Fukaya
Direktør
Makita, Jan-Baptist Vinkstraat 2, 3070, Belgia

SIKKERHETSADVARSEL

Generelle advarsler angående sikkerhet for elektroverktøy

⚠ ADVARSEL: Les alle sikkerhetsadvarslene og alle instruksjonene. Hvis du ikke følger alle advarslene og instruksjonene som er oppført nedenfor, kan det føre til elektriske støt, brann og/eller alvorlige helseskader.

Oppbevar alle advarsler og instruksjoner for senere bruk.

Uttrykket «elektrisk verktøy» i advarslene refererer både til elektriske verktøy (med ledning) tilkoblet strømmettet, og batteridrevne verktøy (uten ledning).

Sikkerhetsanvisninger for flerfunksjonsverktøy uten ledning

1. Denne maskinen er beregnet på saging, kutting, sliping og pussing. Les alle sikkerhetsadvarsler, instruksjoner, illustrasjoner og spesifikasjoner som følger med dette elektroverktøyet. Hvis ikke alle instruksjonene nedenfor følges, kan det forekomme elektrisk støt, brann og/eller alvorlig skade.
2. Hold maskinen i det isolerte håndtaket når skjæreverktøyet kan komme i kontakt med skjulte ledninger under arbeidet. Hvis kutteutstyret kommer i kontakt med «strømførende» ledninger, kan ikke isolerte metalldele i maskinen bli «strømførende» og kunne gi brukeren elektrisk støt.
3. Bruk klemmer eller en annen praktisk måte for å sikre og støtte arbeidsstykket på en stabil plattform. Hvis du holder det med hånden eller mot kroppen, kan det bli ustabil og føre til at du mister kontrollen.
4. Du må alltid bruke vernebriller eller ansiktsvern. Vanlige briller og solbriller er IKKE vernebriller.
5. Unngå å skjære i spiker. Se etter om det er spikere i arbeidsstykket, og fjern dem før du begynner arbeidet.
6. Hold verktøyet godt fast.
7. Forviss deg om at bruksverktøyet ikke er i kontakt med arbeidsstykket før startbryteren er slått på.
8. Hold hendene unna bevegelige deler.
9. Ikke gå fra verktøyet mens det er i gang. Verktøyet må bare brukes mens operatøren holder det i hendene.

10. Før du fjerner bladet fra arbeidsstykket, må du alltid slå av saken og vente til bladet har stoppet helt.
11. Ikke berør bruksverktøyet eller arbeidsstykket umiddelbart etter bruk. Disse vil da være ekstremt varme, og du kan få brannskader.
12. Ikke bruk maskinen uten belastning, hvis det ikke er nødvendig.
13. Bruk alltid riktig støvmaske/pustemaske for materialet og bruksområdet du arbeider med.
14. Enkelte materialer inneholder kjemikalier som kan være giftige. Vis varsomhet for å hindre hudkontakt og innånding av støv. Følg leverandørens sikkerhetsanvisninger.
15. Denne maskinen er ikke vannrett, så ikke bruk vann på arbeidsstykket.
16. Ventil arbeidsområdet skikkelig når du pusser noe.
17. Ved bruk av denne maskinen til å pusse noen produkter, maling og tre, kan brukeren bli utsatt for støv fra farlige stoffer. Bruk passende pustebeskyttelse.
18. Før du begynner å bruke rondellen, må du undersøke den for sprekker eller andre skader. Sprekker og skader kan resultere i helseskader.
19. Ikke bruk tilbehør som ikke er spesielt utviklet og anbefalt av verktøyproduzenten. Det at tilbehøret kan monteres på verktøyet, betyr ikke at det er trygt å bruke.
20. Bruk personlig verneutstyr. Avhengig av bruksområdet, må du bruke visir eller vernebriller. Der det er aktuelt, må du bruke hørselvern, hansker og forkle som kan stoppe små slipefragmenter eller deler fra arbeidsstykket. Øyevernet må kunne stoppe flygende biter som oppstår under ulike operasjoner. Støvmasken eller åndedrettsvernet må kunne filtrere ut partikler som oppstår under arbeidet. Kraftig lyd over lengre tid kan forårsake redusert hørsel.
21. Hold andre på trygg avstand fra arbeidsområdet. Alle som beveger seg inn i arbeidsområdet må bruke personlig verneutstyr. Fragmenter fra arbeidsstykket eller fra skadet tilbehør kan slynges ut og forårsake skade utenfor det nære arbeidsområdet.
22. Ikke legg ned elektroverktøyet før tilbehøret har stoppet helt. Det roterende tilbehøret kan få feste i overflaten og trekke elektroverktøyet ut av kontroll.
23. Ikke kjør elektroverktøyet når du bærer det langs siden. Utilsiktet kontakt med tilbehør kan føre til at det fester seg i klærne og trekkes inn mot kroppen.
24. Ikke bruk elektroverktøyet nær brennbare materialer. Gnister kan antenne slike materialer.
25. Ikke bruk tilbehør som krever kjølevæske. Bruk av vann eller andre kjølevæsker kan føre til elektrisk støt.
26. Forsikre deg alltid om at maskinen er slått av og koblet fra, eller at batteriet er tatt ut, før du utfører arbeid på maskinen.
27. Pass på at du alltid har godt fotfeste. Forviss deg om at ingen står under deg når du jobber høyt over bakken.

TA VARE PÅ DISSE INSTRUKSENE.

⚠ ADVARSEL: IKKE LA hensynet til hva som er "behagelig" eller det faktum at du kjenner produktet godt (etter mange gangers bruk) gjøre deg mindre oppmerksom på sikkerhetsreglene for bruken av det aktuelle produktet. Ved MISBRUK eller hvis ikke sikkerhetsreglene i denne bruksanvisningen følges, kan det oppstå alvorlig personskade.

Viktige sikkerhetsanvisninger for batteriinnsetts

1. Før du begynner å bruke batteriet, må du lese alle anvisninger og forsiktighetsregler på (1) batteriladeren, (2) batteriet og (3) det produktet batteriet skal brukes i.
2. Ikke ta fra hverandre batteriet.
3. Hvis driftstiden er blitt vesentlig kortere, må du omgående slutte å bruke maskinen. Hvis ikke kan resultatet bli overoppheting, mulige forbrenninger eller til og med en eksplosjon.
4. Hvis du får elektrolytt i øynene, må du skylle dem med store mengder rennende vann og oppsøke lege med én gang. Denne typen uhell kan føre til varig blindhet.
5. Ikke kortslett batteriet:
 - (1) De kan være ekstremt varme og du kan brenne deg.
 - (2) Ikke lagre batteriet i samme beholder som andre metallgjenstander, som for eksempel spiker, mynter osv.
 - (3) Ikke la batteriet komme i kontakt med vann eller regn.En kortslutning av batteriet kan føre til et kraftig strømstøt, overoppheting, mulige forbrenninger og til og med til at batteriet går i stykker.
6. Ikke lagre maskinen og batteriet på steder hvor temperaturen kan komme opp i eller overskride 50 °C.
7. Ikke sett fyr på batteriet, ikke engang om det er sterkt skadet eller helt utslitt. Batteriet kan eksplodere hvis det begynner å brenne.
8. Vær forsiktig så du ikke mister batteriet eller utsetter det for slag.
9. Ikke bruk batterier som er skadet.
10. Lithium-ion-batteriene som medfølger er gjenstand for krav om spesialavfall. For kommersiell transport, f.eks av tredjeparter eller speditorer, må spesielle krav om pakking og merking følges. Før varen blir sendt, må du forhøre deg med en ekspert på farlig materiale. Ta også hensyn til muligheten for mer detaljerte nasjonale bestemmelser. Bruk teip eller maskeringsteip for å skjule åpne kontakter og pakk inn batteriet på en slik måte at den ikke kan bevege seg rundt i emballasjen.
11. Følg lokale bestemmelser for avhending av batterier.

TA VARE PÅ DISSE INSTRUKSENE.

⚠ FORSIKTIG: Bruk kun originale Makita-batterier. Bruk av batterier som har endret seg, eller som ikke er originale Makita-batterier, kan føre til at batteriet sprekker og forårsaker brann, personskader og andre skader. Det vil også ugyldiggjøre garantien for Makita-verktøyet og -laderen.

Tips for å opprettholde maksimal batterilevetid

1. Lad batteriinnsettsen før den er helt utladet. Stopp alltid driften av verktøyet og lad batteriinnsettsen når du merker at effekten reduseres.
2. Lad aldri en batteriinnsetts som er fulladet. Overopplading forkorter batteriets levetid.
3. Lad batteriet i romtemperatur ved 10 °C - 40 °C. Et varmt batteri må kjøles ned før lading.

FUNKSJONSBEKRIVELSE

⚠ FORSIKTIG: Forviss deg alltid om at maskinen er slått av og batteriet tatt ut før du justerer maskinen eller kontrollerer dens mekaniske funksjoner.

Sette inn eller ta ut batteri

⚠ FORSIKTIG: Slå alltid av verktøyet før du setter inn eller fjerner batteriet.

⚠ FORSIKTIG: Hold verktøyet og batteripatronen i et fast grep når du monterer eller fjerner batteripatronen. Hvis du ikke holder verktøyet og batteripatronen godt fast, kan du miste grepet, og dette kan føre til skader på verktøyet og batteripatronen samt personskader.

► Fig.1: 1. Rød indikator 2. Knapp 3. Batteriinnsetts

For å ta ut batteriet må du skyve på knappen foran på batteriet og trekke det ut.

Når du skal sette inn batteriet, må du plassere tungen på batteriet på linje med sporet i huset og skyve batteriet på plass. Skyv det helt inn til det går i inngrep med et lite klikk. Hvis du kan se den røde anviseren på oversiden av knappen, er det ikke fullstendig låst.

⚠ FORSIKTIG: Batteriet må alltid settes helt inn, så langt at den røde anviseren ikke lenger er synlig. Hvis dette ikke gjøres, kan batteriet komme til å falle ut av maskinen og skade deg eller andre som oppholder seg i nærheten.

⚠ FORSIKTIG: Ikke bruk makt når du setter i batteriet. Hvis batteriet ikke gli lett inn, er det fordi det ikke settes inn på riktig måte.

Batteribeskyttelsessystem

Verktøyet er utstyrt med et batterivernsystem. Dette systemet slår automatisk av strømmen til motoren for å forlenge batteriets levetid.

Verktøyet stopper automatisk ved drift hvis det og/eller batteriet utsettes for en av følgende tilstander:

Overbelastning:

Verktøyet brukes på en måte som gjør at det trekker uvanlig mye strøm. I dette tilfellet må du slå av verktøyet og avslutte bruken som forårsaket at verktøyet ble overbelastet. Slå deretter verktøyet på for å starte det igjen. Hvis verktøyet ikke starter, er batteriet overbelastet. I så fall må du la batteriet kjøle seg ned før du slår verktøyet på igjen.

Lav batterispenning:

Gjenværende batterikapasitet er for lav og verktøyet vil ikke fungere. Når du starter verktøyet, starter motoren, men den stopper like etterpå. I dette tilfellet, fjern og lad batteriet opp igjen.

Indikere gjenværende batterikapasitet

Kun for batterier med «B» sist i modellnummeret

► **Fig.2:** 1. Indikatorlamper 2. Kontrollknapp

Trykk på sjekk-knappen på batteriet for vise gjenværende batterikapasitet. Indikatorlampene lyser i et par sekunder.

Indikatorlamper		Gjenværende batterinivå
Tent	Av	
		75% til 100%
		50% til 75%
		25% til 50%
		0% til 25%

MERK: Det angitte nivået kan avvike noe fra den faktiske kapasiteten alt etter bruksforholdene og den omgivende temperaturen.

Bryterfunksjon

⚠FORSIKTIG: Før du setter batteriet inn i verktøyet, må du alltid forvise deg om at verktøyet er slått av.

► **Fig.3:** 1. Skyvebryter

For å starte maskinen, må du skyve bryteren til "I (ON)"-stilling. Stopp verktøyet ved å skyve glidebryteren mot posisjonen "O (AV)".

Justere den roterende slagastigheten

► **Fig.4:** 1. Innstillingshjulet

Den roterende slagastigheten kan justeres. Den roterende slagastigheten endres ved å dreie innstillingshjulet til mellom 1 og 5. Jo høyere tallet er, dessto høyere er slagastigheten. Forhåndsjuster innstillingshjulet til det tallet som er passende for arbeidsstykket som brukes.

MERK: Innstillingshjulet kan ikke dreies direkte fra 1 til 5, eller fra 5 til 1. Å dreie innstillingshjulet med makt kan skade verktøyet. Når du endrer retningen på innstillingshjulet, må du alltid dreie innstillingshjulet via alle tallene mellom.

Tenne frontlampe

⚠FORSIKTIG: Ikke se inn i lyset eller se direkte på lyskilden.

► **Fig.5:** 1. Frontlys

Skyv glidebryteren mot posisjonen "I (på)" igjen for å tenne lampen foran. Lampen fortsetter å lyse så lenge bryteren er i posisjonen "I (på)". Lyset slukkes automatisk når du trykker på den bakre delen av glidebryteren, og deretter skyver glidebryteren mot posisjonen "O (av)".

Overlastsikring

Når verktøyet er overbelastet og temperaturen på verktøyet eller batterikassetten når et visst nivå, blinker lampen foran, og verktøyet stopper automatisk. Fjern årsaken til overbelastningen, og kjøøl ned verktøyet og batterikassetten før du starter igjen.

MONTERING

⚠FORSIKTIG: Forviss deg alltid om at maskinen er slått av og batteriet tatt ut før du utfører noe arbeid på maskinen.

Montere eller fjerne bruksverktøy

Valgfritt tilbehør

⚠ADVARSEL: Ikke monter bruksverktøyet opp ned. Hvis bruksverktøyet monteres opp ned, kan det skade verktøyet og kan føre til alvorlige personskader.

MERK: Monter bruksverktøyet i korrekt retning i forhold til arbeidet du skal utføre. Bruksverktøyet kan monteres i en vinkel på hver 30. grad.

For å montere bruksverktøyet (valgfritt tilbehør) må du sette bruksverktøyet på flensen av verktøyet, slik at utstikkerne på flensen på verktøyet passer i hullene i bruksverktøyet. Deretter sikrer du bruksverktøyet ved å stramme skruen godt til med sekskantsnøkkelen.

► **Fig.6:** 1. Fremskyting av verktøyet flens 2. Hullene i bruksverktøyet 3. Bruksverktøyet monteringskrue

► **Fig.7:** 1. Bruksverktøyet monteringskrue 2. Sekskantnøkkel 3. Stramme

For å fjerne bruksverktøyet må du løse og fjerne monteringsbolten på bruksverktøyet ved hjelp av en sekskantnøkkel, og deretter ta av bruksverktøyet.

Når du bruker verktøyet som slিপemaskin, må du sette et sandpapir på slipeputen (borrelåsfeste). Sørg for at formen og støvavsugshullet passer til hverandre når du fester dem.

► **Fig.8:** 1. Pussepute 2. Stramme 3. Sandpapir

Fjern pussepapiret ved å løfte den ene enden og trekke det av.

Bruk korrekt adapter når det benyttes bruksverktøy med en annen type installasjonsseksjon (valgfritt tilbehør).

- **Fig.9:** 1. Bruksverktøyet monteringssskrue
2. Hullene i bruksverktøyet 3. Adapter (kreves for enkelte bruksverktøy) 4. Fremskyting av verktøyet flens

Oppbevare sekskantnøkkel

- **Fig.10:** 1. Sekskantnøkkel

Når sekskantnøkkelen ikke er i bruk, må du oppbevare den som vist i figuren slik at du ikke mister den.

BRUK

⚠ ADVARSEL: Hold hender og ansikt borte fra bruksverktøyet ved start og bruk av verktøyet.

⚠ FORSIKTIG: Ikke bruk overdreven kraft på verktøyet, da dette kan forårsake en motorlås som stopper verktøyet.

⚠ FORSIKTIG: Ikke bruk verktøyet ved å presse batteriet mot verktøyet.

Kutting, saging og skrapping

⚠ FORSIKTIG: Ikke bruk makt til å flytte verktøyet i bruksretningen (f.eks. til sidene) uten egg. Dette kan skade verktøyet.

- **Fig.11**

Monter bruksverktøyet på arbeidsstykket. Flytt verktøyet fremover slik at bruksverktøyet bevegelse ikke går saktere.

MERK: Makt eller for mye trykk på verktøyet kan redusere effektiviteten.

MERK: Det anbefales å forhåndsinnstille den roterende slagastigheten til 3 - 5 før start av kutting.

Pussing

⚠ FORSIKTIG: Ikke puss tre med et pussepapir som allerede er brukt til å pusse metall.

⚠ FORSIKTIG: Ikke bruk slitt pussepapir eller pussepapir uten mønster.

Legge sandpapir på arbeidsstykket.

- **Fig.12**

MERK: Det anbefales å bruke et stykke testmateriale for å bestemme den roterende slagastigheten som passer til arbeidet du skal utføre.

MERK: Bruk et pussepapir med samme grovhet, helt til du er ferdig med hele arbeidsstykket. Hvis du bytter et pussepapir med et pussepapir med en annen grovhet, er det ikke sikkert at overflaten blir pen.

Tilbehør til støvavsug

Valgfritt tilbehør

⚠ FORSIKTIG: Ikke bruk festet for støvavsug når du pusser metall. Oppsuging av gnister og varme partikler resulterer i røyk og påtenning.

- **Fig.13:** 1. Støvmunnstykke 2. Skjøteledd
3. Støvtilbehør 4. Dysebånd 5. Hullet i verktøyet 6. Filtringen 7. Pussepute
8. Bruksverktøyet monteringssskrue

1. Monter ledd, støvdyse og støvtilbehør.
2. Monter dysebåndet på verktøyet slik at fremspringene passer i hullene på verktøyet for å feste det.
3. Sett filtringen og pusseputen på støvtilbehøret, og fest dem deretter med monteringsbolten på bruksverktøyet.

Når du vil ha renere drift, må du koble en støvsuger til verktøyet. Koble slangen på støvsugeren til festet for støvavsug (valgfritt tilbehør).

- **Fig.14**

VEDLIKEHOLD

⚠ FORSIKTIG: Forviss deg alltid om at maskinen er slått av og batteriet tatt ut før du foretar inspeksjon eller vedlikehold.

OBS: Aldri bruk gasolin, bensin, tynner alkohol eller lignende. Det kan føre til misfarging, deformering eller sprekke dannelse.

For å opprettholde produktets SIKKERHET og PÅLITELIGHET, må reparasjoner, vedlikehold og justeringer utføres av autoriserte Makita servicesentre eller fabrikk servicesentre, og det må alltid brukes reservedeler fra Makita.

VALGFRITT TILBEHØR

⚠ FORSIKTIG: Det anbefales at du bruker dette tilbehøret eller verktøyet sammen med den Makita-maskinen som er spesifisert i denne håndboken. Bruk av annet tilbehør eller verktøy kan forårsake personskader. Tilbehør og verktøy må kun brukes til det formålet det er beregnet på.

Ta kontakt med ditt lokale Makita-servicesenter hvis du trenger mer informasjon om dette tilbehøret.

- Tannsgablad
- Rundt sagblad
- Blad for dypsaging
- Skraper (stiv)
- Skraper (myk)
- Takket tannblad
- Generell fugeskjærer
- HM-fjerner
- HM-tannsgablad

- HM-pusseplate
- Tannsaagblad av diamant
- Pussepute
- Adapter
- Delta slipepapir (rødt / hvitt / svart)
- Delta fleece (middels / grovt / uten mønster)
- Delta poleringsfilt
- Sekskantnøkkel
- Tilbehør til støvavsug
- Makita originalbatteri og lader

MERK: Enkelte elementer i listen kan være inkludert som standardtilbehør i verktøypakken. Elementene kan variere fra land til land.

TEKNISET TIEDOT

Malli:	TM30D		
Värähtelyä minuutissa	6 000 - 20 000 min ⁻¹		
Värähtelykulma, vasen/oikea	1,6° (3,2° yhteensä)		
Nimellisjännite	DC 10,8 V		
Akkupaketti	BL1015, BL1020B	BL1040B	
Kokonaispituus	277 mm	296 mm	
Nettopaino	Ilman pölynkeräintä	1,1 kg	1,2 kg
	Pölynkeräimen kanssa	1,2 kg	1,3 kg

- Jatkuvasta tutkimus- ja kehitystyöstämme johtuen esitetyt tekniset tiedot saattavat muuttua ilman erillistä ilmoitusta.
- Tekniset tiedot ja akkupaketti voivat vaihdella maittain.
- Paino akkupaketilla, EPTA-menettelyn 01/2003 mukaan

Käyttötarkoitus

Tämä työkalu on tarkoitettu puun, muovin, kipsin, ei-rautapitoisten metallien ja kiinnittimien (esim. karkaisemattomien naulojen ja niittien) sahaamiseen ja leikkaamiseen. Sillä voi työstää myös pehmeitä seinälaattoja sekä kaapia ja kuivahioa pieniä pintoja. Se sopii erityisen hyvin työskentelyyn reunojen lähellä ja tasoleikkauksiin.

Melutaso

Tyypillinen A-painotettu melutaso määrittyy standardin EN60745 mukaan:

Työtila: Hionta

Äänenpainetaso (L_{pA}): 75 dB (A)

Virhemarginaali (K): 3 dB (A)

Työskentelyn aikana melutaso voi ylittää 80 dB (A).

Työtila: Sahaus upotussahanterällä

Äänenpainetaso (L_{pA}): 82 dB (A)

Äänen voiman taso (L_{WA}): 93 dB (A)

Virhemarginaali (K): 3 dB (A)

Työtila: Sahaus segmenttisahanterällä

Äänenpainetaso (L_{pA}): 81 dB (A)

Äänen voiman taso (L_{WA}): 92 dB (A)

Virhemarginaali (K): 3 dB (A)

Työtila: Kaapiminen

Äänenpainetaso (L_{pA}): 81 dB (A)

Äänen voiman taso (L_{WA}): 92 dB (A)

Virhemarginaali (K): 3 dB (A)

VAROITUS: Käytä kuulosuojaimia.

Tärinä

Kokonaistärinä (kolmen akselin vektorien summa) määrittyy standardin EN60745 mukaan:

Työtila: Hionta

Tärinäpäästö (a_h): 2,5 m/s² tai alaisempi

Virhemarginaali (K): 1,5 m/s²

Työtila: Sahaus upotussahanterällä

Tärinäpäästö (a_h): 10,5 m/s²

Virhemarginaali (K): 1,5 m/s²

Työtila: Sahaus segmenttisahanterällä

Tärinäpäästö (a_h): 5,5 m/s²

Virhemarginaali (K): 1,5 m/s²

Työtila: Kaapiminen

Tärinäpäästö (a_h): 9,0 m/s²

Virhemarginaali (K): 1,5 m/s²

HUOMAA: Ilmoitettu tärinäpäästöarvo on mitattu standarditestausten mukaisesti, ja sen avulla voidaan vertailla työkaluja keskenään.

HUOMAA: Ilmoitettua tärinäpäästöarvoa voidaan käyttää myös altistumisen alustavaan arviointiin.

VAROITUS: Työkalun käytön aikana mitattu todellinen tärinäpäästöarvo voi poiketa ilmoitetusta tärinäpäästöarvosta työkalun käyttötavan mukaan.

VAROITUS: Selvitä käyttäjän suojaamiseksi tarvittavat varoimet todellisissa käyttöolosuhteissa tapahtuvan arvioidun altistumisen mukaisesti (ottaen huomioon käyttöjakso kokonaisuudessaan, myös jaksot, joiden aikana työkalu on sammutettuna tai käy tyhjäkäynnillä).

VAKUUTUS EC-VASTAAVUUDESTA

Koskee vain Euroopan maita

Makita ilmoittaa, että seuraava(t) kone(et):

Koneen tunnistetiedot: Akkukäyttöinen monitoimityökalu
Mallinumero/tyyppi: TM30D

Täyttävät seuraavien eurooppalaisten direkttiivien vaatimukset: 2006/42/EC

On valmistettu seuraavien standardien tai standardoitu-
jen asiakirjojen mukaisesti: EN60745

Direktiivin 2006/42/EC mukaiset tekniset tiedot ovat
saatavissa seuraavasta osoitteesta:

Makita, Jan-Baptist Vinkstraat 2, 3070, Belgium
24.9.2015



Yasushi Fukaya

Johtaja

Makita, Jan-Baptist Vinkstraat 2, 3070, Belgium

TURVAVAROITUKSET

Sähkötyökalujen käyttöä koskevat yleiset varoitukset

VAROITUS: Lue huolellisesti kaikki turvallisuusvaroitukset ja käyttöohjeet. Jos varoitusten ja ohjeiden noudattaminen laiminlyödään, seurauksena voi olla sähköisku, tulipalo ja/tai vakava vammautuminen.

Säilytä varoitukset ja ohjeet tulevaa käyttöä varten.

Varoituksissa käytettävällä termillä "sähkötyökalu" tarkoitetaan joko verkkovirtaa käyttävää (johdollista) työkalua tai akkukäyttöistä (johdotonta) työkalua.

Akkukäyttöistä monitoimityökalua koskevat turvavaroitukset

1. Tämä sähkötyökalu on tarkoitettu sahaamiseen, leikkaamiseen ja hiomiseen. Tutustu kaikkiin tämän sähkötyökalun mukana toimitettuihin varoituksiin, ohjeisiin, kuviin ja tekniisiin tietoihin. Seuraavassa lueteltujen ohjeiden noudattamatta jättäminen saattaa johtaa sähköiskuun, tulipaloon tai vakavaan vammautumiseen.
2. Kun suoritat toimenpidettä, jossa leikkaustyökalu voi joutua kosketukseen piilossa olevien johtojen kanssa, pidä kiinni työkalusta sen eristetyn tarttumispinnan kohdalta. Jos leikkauslaseja joutuu kosketukseen jännitteisen johdon kanssa, jännite voi siirtyä työkalun sähköä johtaviin metalliosiin ja aiheuttaa käyttäjälle sähköiskun.
3. Kiinnitä ja tue työkalu tukevalle alustalle puristimilla tai muulla käytännöllisellä tavalla. Työn pitäminen kädessä tai vartaloa vasten tekee työn epävakaaksi ja voi johtaa hallinnan menetykseen.
4. Käytä aina suojalaseja. Tavalliset silmä- tai aurinkolasit EIVÄT ole suojalaseja.
5. Vältä naulojen sahaamista. Tarkasta, onko työkalupäässä nauloja, ja poista ne ennen käyttöä.
6. Ota työkalusta luja ote.
7. Ennen kuin käynnistät laitteen, varmista, ettei työkalukärki kosketa työkalupäätä.
8. Pidä kädet poissa liikkuvien osien luota.
9. Älä jätä työkalua käymään itsekseen. Käytä laitetta vain silloin, kun pidät sitä kädessä.
10. Sammuta laite ja odota, että terä pysähtyy täysin, aina ennen kuin irrotat terän työkalupäältä.
11. Älä kosketa työkalukärkeä tai työkalupäätä välittömästi käytön jälkeen, sillä ne voivat olla erittäin kuumia ja saattavat polttaa ihoasi.
12. Älä käytä työkalua tarpeettomasti kuormittamattomana.
13. Käytä aina työstettävän materiaalin ja käyttö-tarkoituksen mukaan valittua pölynaamariala/hengityssuojainta.

14. Jotkin materiaalit sisältävät kemikaaleja, jotka voivat olla myrkyllisiä. Huolehdi, että pölyn sisäänhengittämistä ja ihokosketusta vältetään. Noudata materiaalin toimittajan turvaohjeita.
15. Tämä työkalu ei ole vedenpitävä, joten älä käytä vettä työkalupäälle pinnalla.
16. Tuuleta työskentelyalue hyvin, kun suoritat hiekkapaperihiontaa.
17. Tämän koneen käyttö eräiden tuotteiden, maalien ja puun hiekkapaperihiontaan voi altistaa käyttäjän vahingollisia aineita sisältävälle pölylle. Käytä asianmukaista hengityssuojainta.
18. Varmista ennen käyttöä, ettei suojaimen pehmusteessa ole halkeamia tai murtumia. Halkeamat tai murtumat voivat aiheuttaa henkilövahinkoja.
19. Älä käytä sellaisia lisävarusteita, jotka eivät ole nimenomaan valmistajan suunnitteleimia tai suositteleimia. Vaikka lisävarusteen voi kiinnittää työkaluun, sen käyttö ei silti välttämättä ole turvallista.
20. Käytä suojavarusteita. Käytä käyttötarkoituksen mukaisesti kasvosuojusta, suojalaseja tai sivusuojilla varustettuja lasia. Tarvittaessa käytettävä kuulosuojaimia, käsiineitä ja pieniltä sirpaleilta suojaavaa työesiliinaa. Suojalasien täytyy suojata kaikenlaisista töistä aiheutuville lentäviltä sirpaleilta. Hengityssuojaimen täytyy suodattaa työskentelyn tuottamat hiukkaset. Pitkäaikainen altistuminen voimakkaalle melulle voi vahingoittaa kuuloa.
21. Pidä sivulliset turvallisen välimatkan päällä työalueella. Kaikkien työskentelyalueelle tulevien on käytettävä suojavarusteita. Työkalupäälle tai rikkoutuneen lisävarusteen sirpaleet voivat aiheuttaa vamman välittömästi toiminta-alueen ulkopuolella.
22. Älä koskaan laita tehokonetta alas, ennen kuin lisävaruste on täysin pysähtynyt. Pyörivä lisävaruste voi tarrata pintaan ja vetää tehokoneen käsistäsi.
23. Älä käytä laitetta, kun kannat sitä sivullasi. Lisävaruste voi vahingossa tarttua vaatteisiisi ja vetää lisävarusteen kohti kehoasi.
24. Älä käytä tehokonetta tulenarkojen materiaalien lähellä. Kipinät voivat syyttää nämä materiaalit.
25. Älä käytä sellaisia lisävarusteita, jotka vaativat jäähdytysnesteitä. Jos käytät vettä tai muita jäähdytysnesteitä, ne voivat aiheuttaa sähkötapaturman tai -iskun.
26. Varmista aina, että työkalu on kytketty pois päältä ja irrotettu sähköpistorasta tai että akku on poistettu ennen minkäänlaisten huolto-työden suorittamista työkalulla.
27. Seiso aina tukevassa asennossa. Varmista korkealla työskennellessäsi, ettei ketään ole alapuolella.

SÄILYTÄ NÄMÄ OHJEET.

VAROITUS: ÄLÄ anna työkalun helpokäyttöisyyden (toistuvan käytön aikaansaama) johtaa sinua väärään turvallisuuden tunteeseen niin, että laiminlyöt työkalun turvaohjeiden noudattamisen. **VÄÄRINKÄYTTÖ** tai tässä käyttöohjeessa ilmoitettujen turvämäärysten laiminlyönti voi aiheuttaa vakavia henkilövahinkoja.

Akkupakettia koskevia tärkeitä turvaohjeita

- Ennen akun käyttöönottoa tutustu kaikkiin laturissa (1), akussa (2) ja akkukäyttöisessä tuotteessa (3) oleviin varoitusteksteihin.
- Älä pura akku.
- Jos akun toiminta-aika lyhenee merkittävästi, lopeta akun käyttö. Seurauksena voi olla ylikuumentuminen, palovammoja tai jopa räjähdys.
- Jos akkunestettä pääsee silmiin, huuhtele puhtaalla vedellä ja hakeudu välittömästi lääkärin hoitoon. Akkuneste voi aiheuttaa näön menetyksen.
- Älä oikosulje akku.
 - Älä koske akun napoihin millään sähköä johtavalla materiaalilla.
 - Vältä akun oikosulkemista äläkä säilytä akku yhdessä muiden metalliesineiden, kuten naulojen, kolikoiden ja niin edelleen kanssa.
 - Älä aseta akku alttiiksi vedelle tai sateelle.Oikosulku voi aiheuttaa virtapiikin, ylikuumentumista, palovammoja tai laitteen rikkoontumisen.
- Älä säilytä työkalua ja akku paikassa, jossa lämpötila voi nousta 50 °C:een tai sitäkin korkeammaksi.
- Älä hävitä akku polttamalla, vaikka se olisi pahoin vaurioitunut tai täysin loppuun kulunut. Avotuli voi aiheuttaa akun räjähtämisen.
- Varo kolhimasta tai pudottamasta akku.
- Älä käytä viallista akku.
- Sisältyviä litium-ioni-akkuja koskevat vaarallisten aineiden lainsäädännön vaatimukset. Esimerkiksi kolmansien osapuolten huolintaliikkeiden tulee kaupallisissa kuljetuksissa noudattaa pakkaamista ja merkintöjä koskevia erityisvaatimuksia. Lähetettävän tuotteen valmistelu edellyttää vaarallisten aineiden asiantuntijan neuvontaa. Huomioi myös mahdollisesti yksityiskohtaisemmat kansalliset määräykset
Akun avoimet liittimet tulee suojata teipillä tai suojuksella ja pakkaaminen tulee tehdä niin, ettei akku voi liikkua pakkauksessa.
- Hävitä akku paikallisten määräysten mukaisesti.

SÄILYÄ NÄMÄ OHJEET.

HUOMIO: Käytä vain alkuperäisiä Makita-akkuja. Muiden kuin aitojen Makita-akkujen, tai mahdollisesti muutettujen akkujen käyttö voi johtaa akun murtumiseen ja aiheuttaa tulipaloja, henkilö- ja omaisuusvahinkoja. Se mitätöi myös Makita-työkalun ja -laturin Makita-takuun.

Vihjeitä akun käyttöön pidentämiseksi

- Lataa akku ennen kuin se purkautuu täysin. Lopeta aina työkalun käyttö ja lataa akku, jos huomaat työkalun tehon vähenevän.
- Älä koskaan lataa uudestaan täysin ladattua akku. Ylilataaminen lyhentää akun käyttöikää.
- Lataa akku huoneen lämpötilassa välillä 10 °C - 40 °C. Anna kuuman akun jäähtyä ennen lataamista.

TOIMINTOJEN KUVAUS

HUOMIO: Varmista aina ennen säätöjä ja tarkastuksia, että työkalu on sammutettu ja akkupaketti irrotettu.

Akun asentaminen tai irrottaminen

HUOMIO: Sammuta työkalu aina ennen akun kiinnittämistä tai irrottamista.

HUOMIO: Pidä työkalusta ja akusta tiukasti kiinni, kun irrotat tai kiinnität akku. Jos akkupaketti tai työkalu putoaa, ne voivat vaurioitua tai aiheuttaa tapaturman.

- **Kuva1:** 1. Punainen merkkivalo 2. Painike 3. Akkupaketti

Irrota akku painamalla akun etupuolella olevaa painiketta ja vetämällä akku ulos työkalusta.

Akku liitetään sovitettamalla akun kieleke rungon uraan ja työntämällä se sitten paikoilleen. Työnnä akku pohjaan asti niin, että kuulet sen napsahdavan paikoilleen. Jos painikkeen yläpuolella näkyy punainen ilmaisin, akku ei ole lukkiutunut täysin paikoilleen.

HUOMIO: Työnnä akku aina pohjaan asti, niin että punainen ilmaisin ei enää näy. Jos akku ei ole kunnolla paikallaan, se voi pudota työkalusta ja aiheuttaa vammoja joko sinulle tai sivullisille.

HUOMIO: Älä käytä voimaa akun asennuksessa. Jos akku ei liu'u paikalleen helposti, se on väärässä asennossa.

Akun suojausjärjestelmä

Työkalu on varustettu akun suojausjärjestelmällä. Tämä järjestelmä pidentää akun käyttöikää katkaisemalla moottorin virran automaattisesti.

Työkalu pysähtyy automaattisesti kesken käytön, jos työkalussa tai akussa ilmenee jokin seuraavista tilanteista:

Ylikuormitus:

Työkalua käytetään tavalla, joka saa sen kuluttamaan epätavallisen paljon virtaa.

Katkaise tässä tilanteessa työkalusta virta ja lopeta ylikuormitustilan aiheuttanut käyttö. Käynnistä sitten työkalu uudelleen kytkemällä siihen virta.

Jos työkalu ei käynnisty, akku on ylikuumentunut. Anna tässä tilanteessa akun jäähtyä, ennen kuin kytket työkalun virran uudelleen.

Alhainen akun jännite:









Akun varaus on liian alhainen eikä riitä työkalun käyttämiseen. Jos kytket työkalun päälle, moottori alkaa toimia, mutta pysähtyy pian. Irrota tässä tilanteessa akku ja lataa se.

Akun jäljellä olevan varaustason ilmaisimien

Vain akkupaketeille, joiden mallinumeron lopussa on "B"

► **Kuva2:** 1. Merkkivalot 2. Tarkistuspainike

Painamalla tarkistuspainiketta saat näkyviin akun jäljellä olevan varauksen. Merkkivalot palavat muutaman sekunnin ajan.

Merkkivalot		Akussa jäljellä olevan varaus
Palaa	Pois päältä	
		75% - 100%
		50% - 75%
		25% - 50%
		0% - 25%

HUOMAA: Ilmoitettu varaustaso voi erota hieman todellisesta varaustasosta sen mukaan, millaisissa oloissa ja missä lämpötilassa laitetta käytetään.

Kytkimien käyttäminen

HUOMIO: Ennen kuin kiinnität akun työkaluun, varmista, että työkalu on kytketty pois päältä.

► **Kuva3:** 1. Liukukytkin

Käynnistä työkalu liu'uttamalla liukukytkin "I (PÄÄLLÄ)" -asentoon.

Pysäytä työkalu työntämällä liukukytkin asentoon "O (POIS PÄÄLTÄ)".

Iskunopeuden säätö

► **Kuva4:** 1. Valitsin

Iskunopeutta voidaan säätää. Voit muuttaa iskunopeutta kääntämällä valitsinta välillä 1 ja 5. Mitä suurempi numero on, sitä korkeampi iskunopeus on. Käännä valitsin kulloiseenkin työkalupalaaseen sopivan nopeuden kohdalle.

HUOMAA: Valitsinta ei voi kääntää suoraan numeroiden 1 ja 5 tai numeroiden 5 ja 1 välillä. Pakottamalla valitsin haluttuun kohtaan voi vahingoittaa työkalua. Kun vaihdat valitsimen suuntaa, kierrä aina valitsinta välissä olevien arvojen kautta.

Etulampun sytyttäminen

HUOMIO: Älä katso suoraan lamppuun tai valonlähteeseen.

► **Kuva5:** 1. Etuosan lamppu

Sytytä lamppu työntämällä liukukytkin asentoon "I (PÄÄLLÄ)". Lamppu palaa yhtäjaksoisesti niin kauan kuin kytkin on asennossa "I (PÄÄLLÄ)".

Lamppu sammuu automaattisesti, kun liukukytkimen takaosaa painetaan ja liukukytkin siirretään asentoon "O (POIS PÄÄLTÄ)".

Ylikuormitussuoja

Kun työkalu ylikuormittuu ja työkalun tai akkupaketin lämpötila saavuttaa tietyn arvon, etulamppu vilkkuu ja työkalu pysähtyy automaattisesti. Poista ylikuormituksen syy ja anna työkalun ja akkupaketin jäähtyä ennen uudelleenkäynnistystä.

KOKOONPANO

HUOMIO: Varmista aina ennen mitään työkalulle tehtäviä toimenpiteitä, että se on sammutettu ja akku irrotettu.

Työkalukärjen asentaminen ja irrottaminen

Lisävaruste

VAROITUS: Älä aseta työkalukärkeä ylösalaisin. Työkalukärjen asentaminen ylösalaisin voi vaurioittaa työkalua ja aiheuttaa vakavan vamman.

HUOMAA: Aseta työkalukärki oikeaan asentoon suoritettavaan työhön sopivaksi. Työkalukärjen asennuskulma voidaan asentaa 30 asteen välein.

Aseta työkalukärki (lisävaruste) työkalun laippaan siten, että laipan ulokkeet osuvat työkalukärjessä oleviin aukkoihin. Lukitse työkalukärki kiristämällä pultti tiukasti kuusioavaimella.

► **Kuva6:** 1. Työkalun laipan ulokkeet
2. Työkalukärjen aukot 3. Työkalukärjen asennuspultti

► **Kuva7:** 1. Työkalukärjen asennuspultti
2. Kuusioavain 3. Kiristä

Poista työkalukärki kiertämällä työkalukärjen asennuspultti auki kuusioavaimella ja sitten irrottamalla työkalukärki.

Käytettäessä työkalua hiomakoneena, aseta hiekkapaperi hiomalevyyn (sopiva koukku ja lenkki). Varmista, että asettaessa niiden muoto ja polynpoisto-riät sopivat yhteen.

- **Kuva8:** 1. Hiomalevy 2. Kiristä 3. Hiekkapaperi

Irrota hiomapaperi nostamalla sen takareunaa ja kuori se irti.

Jos käytät työkalukärkeä, jonka asennusosa on erilainen, käytä asianmukaista sovitinta (lisävaruste).

- **Kuva9:** 1. Työkalukärjen asennuspultti
2. Työkalukärjen aukot 3. Sovitin (tarvitaan tiettyihin työkalukärkiin) 4. Työkalun laipan ulokkeet

Kuusioavaimen varastointi

- **Kuva10:** 1. Kuusioavain

Säilytä kuusioavainta kuvan osoittamassa paikassa, ettei se pääse katoamaan.

TYÖSKENTELY

VAROITUS: Varmista ennen työkalun käyttöä ja sen käytön aikana, ettei työkalukärki kosketa käsiäsi tai kasvojasi.

HUOMIO: Älä kuormita työkalua liikaa. Tämä voi aiheuttaa moottorin lukkiutumisen ja pysäyttää työkalun.

HUOMIO: Älä käytä työkalua painamalla akkupakettia työkalua vasten.

Leikkaaminen, sahaaminen ja kaapiminen

HUOMIO: Älä liikuta työkalua voimalla työkalun leikkaussuuntaan (esim. sivulle), jos työkalussa ei ole leikkaavaa terää. Se voi vaurioittaa työkalua.

- **Kuva11**

Aseta työkalukärki työkappaleen päälle. Työnnä työkalua eteenpäin sellaisella voimalla, ettei työkalukärjen liike hidastu.

HUOMAA: Työkalun työntäminen väkisin tai painaminen liiallisella voimalla voi pienentää työkalun tehoa.

HUOMAA: Ennen leikkuutoiminnan aloittamista on suositeltavaa säätää iskunopeudeksi 3 - 5.

Hionta

HUOMIO: Älä hio puuta hiekkapaperilla, jolla on aiemmin hiottu metallia.

HUOMIO: Älä käytä kulunutta hiekkapaperia tai hiekkapaperia, jossa ei ole hionta-ainetta.

Aseta hiekkapaperi työkappaleen päälle.

- **Kuva12**

HUOMAA: On suositeltavaa säätää iskunopeus työhön sopivaksi kokeilemalla sitä mallikappaleeseen.

HUOMAA: Hio saman karkeuden hiekkapaperilla kunnes työkappaleen koko hionta on valmis. Hiekkapaperin vaihto eri karkeuteen ei välttämättä saa aikaan hienoa viimeistelyä.

Pölynkeräin

Lisävaruste

HUOMIO: Älä käytä pölynkeräintä metallia hiottaessa. Kipinöiden ja kuumien hiukkasten imuroidi aiheuttaa savuumista ja tulen syttymisen.

- **Kuva13:** 1. Pölysuutin 2. Liitos 3. Pölysuojus
4. Suuttimen nauha 5. Työkalun aukot 6. Huoparengas 7. Hiomalevy
8. Työkalukärjen asennuspultti

1. Asenna liitin, pölynpoistosuuttimet ja pölysuojus.
2. Asenna suuttimen nauha työkaluun siten, että sen ulokkeen sopivat työkalussa oleviin reikiin kiinnityksen varmistamiseksi.
3. Aseta huoparengas ja hiomalevy pölysuojukseen ja kiinnitä ne työkalukärjen asennuspultilla.

Jos haluat tehdä siistimpää työtä, kytke työkaluun pölynimuri. Kiinnitä pölynimurin letku pölynkeräimeen (lisävaruste).

- **Kuva14**

KUNNOSSAPITO

HUOMIO: Varmista aina ennen tarkastusta tai huoltoa, että työkalu on sammutettu ja akku irrotettu.

HUOMAUTUS: Älä koskaan käytä bensiiniä, ohenteita, alkoholia tai tms. aineita. Muutoin pinta voi halkeilla tai sen värit ja muoto voivat muuttua. Muutoin laitteeseen voi tulla värjäytyymiä, muodon vääristymiä tai halkeamia.

Tuotteen TURVALLISUUDEN ja LUOTETTAVUUDEN takaamiseksi korjaukset, muut huoltotyöt ja säädöt on teetettävä Makitan valtuutetussa huoltopisteessä Makitan varaosia käyttäen.

LISÄVARUSTEET

HUOMIO: Seuraavia lisävarusteita tai laitteita suositellaan käytettäväksi tässä ohjeessa kuvatun Makita-työkalun kanssa. Muiden lisävarusteiden tai laitteiden käyttö voi aiheuttaa henkilövahinkoja. Käytä lisävarusteita ja -laitteita vain niiden käyttötarkoituksen mukaisesti.

Jos tarvitset apua tai yksityiskohtaisempia tietoja seuraavista lisävarusteista, ota yhteys paikalliseen Makitan huoltoon.

- Segmenttisahanterä
- Pyörösahanterä
- Upotussahanterä
- Kaavin (jäykkä)
- Kaavin (joustava)
- Sahalaitainen segmenttiterä
- Saumaleikkuriterä
- HM-irrotin
- HM-segmenttisahanterä
- HM-hionta-alusta
- Timanttisegmenttisahanterä
- Hiomalevy
- Sovitin
- Hiomapaperi delta (punainen / valkoinen / musta)
- Fleece delta (keskikarkea / karkea / ei hionta-ainetta)
- Kiillotushuopa delta
- Kuusioavain
- Pölynkeräin
- Aito Makitan akku ja laturi

HUOMAA: Jotkin luettelossa mainitut varusteet voivat sisältyä työkalun toimitukseen vakiovarusteina. Ne voivat vaihdella maittain.

SPECIFIKĀCIJAS

Modelis:		TM30D	
Svārstības minūtē		6 000 - 20 000 min ⁻¹	
Svārstību leņķis, pa kreisi/pa labi		1,6° (3,2°kopā)	
Nominālais spriegums		Līdzstrāva 10,8 V	
Akumulatora kasetne		BL1015, BL1020B	BL1040B
Kopējais garums		277 mm	296 mm
Tīrsvars	bez putekļu savācēja papildierīces	1,1 kg	1,2 kg
	ar putekļu savācēja papildierīci	1,2 kg	1,3 kg

- Nepārtrauktās izpētes un izstrādes programmas dēļ šeit uzrādītās specifikācijas var tikt mainītas bez brīdinājuma.
- Specifikācijas un akumulatora kasetne var atšķirties dažādās valstīs.
- Svārs ar akumulatora kasetni saskaņā ar EPTA-Procedure 01/2003

Paredzētā lietošana

Darbarīks paredzēts koka, plastmasas, ģipša, krāsainā metāla zāģēšanai un griešanai, kā arī elementu (piemēram, nestiprinātu naglu un skavu) nostiprināšanai. Tas paredzēts arī mīksto sienu flīžu apstrādei, kā arī nelielu virsmu sausai slīpēšanai un ciklēšanai. Īpaši piemērots strādāšanai tuvu malai un vienlīmeņa griešanai.

Trokšņa līmenis

Tipiskais A svārtais trokšņa līmenis noteikts saskaņā ar EN60745:

Darba režīms: slīpēšana
Skaņas spiediena līmeni (L_{pA}): 75 dB (A)
Mainīgums (K): 3 dB (A)

Darbības laikā trokšņa līmenis var pārsniegt 80 dB (A).
Darba režīms: zāģēšana ar iezāģēšanas zāģa asmeni
Skaņas spiediena līmeni (L_{pA}): 82 dB (A)
Skaņas jaudas līmeni (L_{WA}): 93 dB (A)
Mainīgums (K): 3 dB (A)

Darba režīms: zāģēšana ar segmentētu zāģa asmeni
Skaņas spiediena līmeni (L_{pA}): 81 dB (A)
Skaņas jaudas līmeni (L_{WA}): 92 dB (A)
Mainīgums (K): 3 dB (A)

Darba režīms: ciklēšana
Skaņas spiediena līmeni (L_{pA}): 81 dB (A)
Skaņas jaudas līmeni (L_{WA}): 92 dB (A)
Mainīgums (K): 3 dB (A)

▲BRĪDINĀJUMS: Lietojiet ausu aizsargus.

Vibrācija

Vibrācijas kopējā vērtība (trīsasu vektora summa) noteikta atbilstoši EN60745:

Darba režīms: slīpēšana
Vibrācijas izmēte (a_h): 2,5 m/s² vai mazāk
Mainīgums (K): 1,5 m/s²

Darba režīms: zāģēšana ar iezāģēšanas zāģa asmeni
Vibrācijas izmēte (a_h): 10,5 m/s²
Mainīgums (K): 1,5 m/s²

Darba režīms: zāģēšana ar segmentētu zāģa asmeni
Vibrācijas izmēte (a_h): 5,5 m/s²
Mainīgums (K): 1,5 m/s²
Darba režīms: ciklēšana
Vibrācijas izmēte (a_h): 9,0 m/s²
Mainīgums (K): 1,5 m/s²

PIEZĪME: Paziņotā vibrācijas emisijas vērtība noteikta atbilstoši standarta pārbaudes metodei un to var izmantot, lai salīdzinātu vienu darbarīku ar citu.

PIEZĪME: Paziņoto vibrācijas emisijas vērtību arī var izmantot iedarbības sākotnējā novērtējumā.

▲BRĪDINĀJUMS: Reāli lietojot elektrisko darbarīku, vibrācijas emisija var atšķirties no paziņotās emisijas vērtības atkarībā no darbarīka izmantošanas veida.

▲BRĪDINĀJUMS: Lai aizsargātu lietotāju, nosakiet drošības pasākumus, kas pamatoti ar iedarbību reālos darba apstākļos (ņemot vērā visus ekspluatācijas cikla posmus, piemēram, laiku, kamēr darbarīks ir izslēgts un kad darbojas tukšgaitā, kā arī palaišanas laiku).

EK Atbilstības deklarācija

Tikai Eiropas valstīm

Makita paziņo, ka šāds instruments(-i):
Mašīnas nosaukums: Bezvadu universālais darbarīks
Modeļa Nr./tips: TM30D
Atbilst sekojošām Eiropas Direktīvām: 2006/42/EC
Ražots saskaņā ar šādu standartu vai normatīvajiem dokumentiem: EN60745
Tehniskā lieta saskaņā ar 2006/42/EC ir pieejama:
Makita, Jan-Baptist Vinkstraat 2, 3070, Beļģija
24.9.2015

Yasushi Fukaya

Yasushi Fukaya
Direktors
Makita, Jan-Baptist Vinkstraat 2, 3070, Beļģija

DROŠĪBAS BRĪDINĀJUMI

Vispārīgi elektrisko darbarīku drošības brīdinājumi

▲BRĪDINĀJUMS: Izlasiet visus drošības brīdinājumus un visus norādījumus. Brīdinājumu un norādījumu neievērošanas gadījumā var rasties elektriskās strāvas trieciens, ugunsgrēks un/vai nopietnas traumas.

Glabājiet visus brīdinājumus un norādījumus, lai varētu tajos ieskatīties turpmāk.

Termins „elektrisks darbarīks” brīdinājumos attiecas uz tādu elektrisko darbarīku, ko darbina ar elektrību (ar vadu), vai tādu, ko darbina ar akumulatoru (bez vada).

Drošības brīdinājumi bezvadu universālā darbarīka lietošanai

- Šā mehanizētā darbarīka funkcijas ir zāģēšana, griešana, slīpēšana un pulēšana. Jāizlasa visi drošības brīdinājumi, instrukcijas, jāapskata ilustrācijas un tehniskie dati mehanizētā darbarīka komplektā. Visu tālāk uzskaitīto noteikumu neievērošanas sekas var būt elektrotrauma, aizdegšanās un/vai smagas traumas.
- Mehanizētais darbarīks strādājot jātur aiz izolētājam satveršanas virsmām, ja strādā vietā, kur griezējinstrumenti varētu saskarties ar apslēptu elektroinstalāciju. Griezējinstrumentam saskaroties ar kabeli zem sprieguma, mehanizētā darbarīka metāla daļas var vadīt spriegumu un radīt operatoram elektrotraumu.
- Lai apstrādājamo materiālu nostiprinātu un atbalstītu uz stabilas pamatnes, jāizmanto skavas vai cits praktiski piemērojams paņēmieni. Turot materiālu ar roku vai pie ķermeņa, tas ir nestabilā stāvoklī un var zaudēt kontroli pār to.
- Vienmēr jāvalkā aizsargbrilles. Parastās brilles vai saulesbrilles NAV aizsargbrilles.
- Nedrīkst griezt naglas. Pirms darba jāpārbauda, vai apstrādājamā materiālā nav naglu, un tās jāizvelk.
- Darbarīks jātur cieši.
- Pirms slēdža ieslēgšanas jāpārlicinās, ka darbarīks nesaskaras ar apstrādājamo materiālu.
- Rokas nedrīkst tuvināt kustīgajām daļām.
- Darbarīku nedrīkst atstāt ieslēgtu. Darbarīku drīkst darbināt vienīgi tad, ja tur to rokās.
- Pirms asmens izņemšanas no apstrādājamā materiāla vienmēr jāizslēdz darbarīks un jānogaida, līdz asmens pavisam apstājas.
- Darbarīkam vai apstrādājamam materiālam nedrīkst pieskarties tūlīt pēc apstādes, jo tas var būt ļoti karsts un apdedzināt ādu.
- Darbarīku nevajag lieki darbināt bez slodzes.
- Vienmēr jāizmanto materiālam un konkrētam gadījumam piemēroti putekļu maska/respirators.
- Daži materiāli satur ķīmiskas vielas, kas var būt toksiskas. Jāizvairās no putekļu ieeļļošanas un to nokļūšanas uz ādas. Jāievēro materiālu piegādātāja drošības dati.
- Šis darbarīks nav ūdensdrošs, tāpēc uz apstrādājamā materiāla virsmas nedrīkst izmantot ūdeni.
- Veicot slīpēšanas darbus, darba vieta pietiekami jāvēdina.
- Izmantojot šo darbarīku noteikta veida izstrādājumu, krāsu un koka šķirņu slīpēšanai, operatori var nonākt saskarē ar putekļiem, kuru sastāvā ir bīstamas vielas. Elpceļi pienācīgi jāaizsargā.
- Pirms lietošanas jāpārbauda, vai pamatne nav saplaisājusi vai saplīsusi. Plaisas vai plīsumi var kādu traumēt.
- Drīkst lietot tikai darbarīka ražotāja īpaši izgatavotos un ieteiktos piederumus. Kaut arī piederumu ir iespējams piestiprināt pie mehanizētā darbarīka, tā lietošana nav droša.
- Jāizmanto individuālie aizsarglīdzekļi. Veicamā darba dēļ uzliekams sejas aizsargs, aizsargbrilles vai brilles. Ja vajadzīgs, jāvalkā ausu aizsargs, cimdi un darba priekšauts, kas aiztur mazas abrazīvas vai apstrādājamā materiāla daļas. Acu aizsardzības aprīkojumam jāspēj apturēt lidojošus gruzus, kas rodas dažādu darbu veikšanas gaitā. Putekļu maskai vai respiratoram jāaiztur seju laikā radušās daļiņas. Ilgstoši pakļaujot sevi ļoti intensīvam troksnim, var rasties dzirdes zudums.
- Apkārtējiem jāatrodas drošā attālumā no darba vietas. Ikvienam, kas atrodas darba vietā, jāizmanto individuālie aizsarglīdzekļi. Apstrādājamā materiāla vai bojāta piederuma daļiņas var tikt izsviestas un radīt traumas tiem, kas atrodas darba vietas tuvumā.
- Nekādā gadījumā mehanizēto darbarīku nedrīkst nolikt malā, pirms tas nav pavisam apstājies. Rotējošais piederums var aizķert virsmu un izraut mehanizēto darbarīku no rokām.
- Mehanizēto darbarīku nedrīkst darbināt, kamēr to pārnēsā. Nejauši saskaroties ar piederumu, tas var aizķerties aiz apģērba un saskarties ar ķermeni.
- Mehanizēto darbarīku nedrīkst darbināt ugunsdrošu materiālu tuvumā. Dzirkestes var aizdedzināt šos materiālus.
- Nedrīkst lietot piederumus, kam vajadzīgi dzesēšanas šķidrums. Lietojot ūdeni vai citus dzesēšanas šķidrumus, var gūt nāvējošu elektrotraumu vai elektriskās strāvas triecienu.
- Pirms veic kādas darbības pie šā darbarīka, vienmēr jāpārlicinās, ka darbarīks ir izslēgts un atvienots no elektrības un ka ir izņemts akumulators.
- Vienmēr jāstāv uz stabilu pamata. Ja darbarīku izmanto augstamā virs zemes, jāpārlicinās, ka apakšā neviena nav.

SAGLABĀJIET ŠOS NORĀDĪJUMUS.

▲BRĪDINĀJUMS: NEPIEĻAUJIET to, ka labu iemaņu vai izstrādājuma labas pārzināšanas (darbarīku atkārtoti ekspluatējot) rezultātā vairs stingri neievērojat šī izstrādājuma drošības noteikumus. NEPAREIZI LIETOJOT darbarīku vai neievērojot šajā instrukciju rokasgrāmatā minētos drošības noteikumus, var tikt gūtas smagas traumas.

Svarīgi drošības norādījumi par akumulatora kasetni

1. Pirms akumulatora lietošanas izlasiet visus norādījumus un brīdinājumus, kuri attiecas uz (1) akumulatora lādētāju, (2) akumulatoru un (3) ierīci, kurā tiek izmantots akumulators.
2. Neizjauciet akumulatoru.
3. Ja akumulatora darbības laiks kļūva ievērojami īsāks, nekavējoties pārtrauciet to izmantot. Citādi, tas var izraisīt pārkarsējumu, uzliesmojumu vai pat sprādzienu.
4. Ja elektrolīts nonāk acīs, izskalojiet tās ar tīru ūdens un nekavējoties griežieties pie ārsta. Tas var izraisīt redzes zaudēšanu.
5. Neradiet īssavienojumu akumulatora kasetnē:
 - (1) Nepieskarieties spaiļēm ar elektrību vadošiem materiāliem.
 - (2) Neuzglabājiet akumulatoru kasetni kopā ar citiem metāla priekšmetiem, tādiem kā naglas, monētas u. c.
 - (3) Nepakļaujiet akumulatora kasetni ūdens vai lietus iedarbībai.Akumulatora īssavienojums var radīt spēcīgu strāvas plūsmu, pārkaršanu, uzliesmojumu un pat sabojāt akumulatoru.
6. Neglabājiet darbarīku un akumulatora kasetni vietās, kur temperatūra var sasniegt vai pārsniegt 50 °C (122 °F).
7. Nededziniet akumulatora kasetni, pat ja tā ir stipri bojāta vai pilnībā nolietota. Akumulatora kasetne ugunī var eksplodēt.
8. Uzmaniēties, lai neļautu akumulatoram nokrist un nepakļautu to sītienam.
9. Neizmantojiet bojātu akumulatoru.
10. Uz izmantotajiem litija jonu akumulatoriem attiecas likumdošanas prasības par bīstamiem izstrādājumiem.

Komerציālā transportēšanā, ko veic, piemēram, trešās puses, transporta uzņēmumi, jāievēro uz iesaiņojuma un marķējuma norādītās īpašās prasības.

Lai izstrādājumu sagatavotu nosūtīšanai, jāsaziņās ar bīstamo materiālu speciālistu. Ievērojiet arī citus attiecināmos valsts normatīvus.

Valējus kontaktus nosedziet ar līmlenti vai citādi pārklājiet, bet akumulatoru iesaiņojiet tā, lai sainī tas nevarētu izkustēties.
11. Ievērojiet vietējos noteikumus par akumulatora likvidēšanu.

SAGLABĀJIET ŠOS NORĀDĪJUMUS.

▲UZMANĪBU: Lietojiet tikai oriģinālos Makita akumulatorus. Ja lietojat neoriģinālus Makita akumulatorus vai pārveidotus akumulatorus, tie var uzsprāgt un izraisīt aizdegšanos, traumas un materiālos zaudējumus. Tikš anulēta arī Makita darbarīka un lādētāja garantija.

Ieteikumi akumulatora kalpošanas laika pagarināšanai

1. Uzlādējiet akumulatora kasetni, pirms tā ir pilnībā izlādējusies. Vienmēr, kad ievērojat, ka darbarīka darba jauda zudusi, apturiet darbarīku un uzlādējiet akumulatora kasetni.
2. Nekad neuzlādējiet pilnībā uzlādētu akumulatora kasetni. Pārmērīga uzlāde saīsina akumulatora kalpošanas laiku.
3. Uzlādējiet akumulatora kasetni istabas temperatūrā 10 °C - 40 °C. Karstai akumulatora kasetnei pirms uzlādes ļaujiet atdzist.

FUNKCIJU APRAKSTS

▲UZMANĪBU: Pirms darbarīka regulēšanas vai tā darbības pārbaudes vienmēr pārliecinieties, ka darbarīks ir izslēgts un akumulatora kasetne ir izņemta.

Akumulatora kasetnes uzstādīšana un izņemšana

▲UZMANĪBU: Vienmēr pirms akumulatora kasetnes uzstādīšanas vai noņemšanas izslēdziet darbarīku.

▲UZMANĪBU: Uzstādot vai izņemot akumulatora kasetni, darbarīku un akumulatora kasetni turiet cieši. Ja darbarīku un akumulatora kasetni netur cieši, tie var izkrist no rokām un radīt bojājumus darbarīkam un akumulatora kasetnei, kā arī izraisīt ievainojumus.

- **Att.1:** 1. Sarkanās krāsas indikators 2. Poga 3. Akumulatora kasetne

Lai izņemtu akumulatora kasetni, izvelciet to no darbarīka, pārbīdot kasetnes priekšpusē esošo pogu.

Lai uzstādītu akumulatora kasetni, salāgojiet mēlīti uz akumulatora kasetnes ar rievu ietvarā un iebīdīet to vietā. Ievietojiet to līdz galam, līdz tā ar klikšķi nokļūst vietā. Ja pogas augšējā daļā redzams sarkanās krāsas indikators, tas nozīmē, ka tā nav pilnīgi fiksēta.

▲UZMANĪBU: Vienmēr ievietojiet akumulatora kasetni tā, lai sarkanais indikators nebūtu redzams. Pretējā gadījumā tā var nejauši izkrist no darbarīka un izraisīt jums vai apkārtējiem traumas.

▲UZMANĪBU: Neievietojiet akumulatora kasetni ar spēku. Ja kasetne neslīd ietvarā viegli, tā nav pareizi ielikta.

Akumulatora aizsardzības sistēma

Darbarīks ir aprīkots ar akumulatora aizsardzības sistēmu. Šī sistēma automātiski izslēdz jaudas padevi motoram, lai pagarinātu akumulatora kalpošanas laiku. Darbarīks automātiski pārstās darboties ekspluatācijas laikā, ja darbarīku un/vai akumulatoru pakļaus kādam no tālāk minētajiem apstākļiem:

Pārslodze:

Darbarīku ekspluatācijas laikā lieto tādā veidā, ka tas saista pārmērīgu strāvu.

Šādā gadījumā izslēdziet darbarīku un pārtrauciet darbarīka pārslodzi izraisījušo darbu. Tad ieslēdziet darbarīku, lai atsāktu darbu.

Ja darbarīks neieslēdzas, akumulators ir pārkarsis. Šādā gadījumā ļaujiet akumulatoram atdzist pirms atkārtotas darbarīka ieslēgšanas.

Zema akumulatora jauda:









Akumulatora uzlādes līmenis ir pārāk zems, un darbarīks nedarbosies. Ja ieslēgsit darbarīku, motors vēlreiz sāks darboties, taču drīz apstāsies. Šādā gadījumā noņemiet akumulatoru un uzlādējiet.

Atlikušās akumulatora jaudas indikators

Tikai akumulatoru kasetnēm, kuru modeļa numura beigās ir burts „B”

► **Att.2:** 1. Indikatora lampas 2. Pārbaudes poga

Nospiediet akumulatora kasetnes pārbaudes pogu, lai pārbaudītu akumulatora atlikušo uzlādes līmeni. Indikatori iedegsies uz dažām sekundēm.

Indikatora lampas		Atlikusī jauda
lededzies	izslēgts	
		No 75% līdz 100%
		No 50% līdz 75%
		No 25% līdz 50%
		No 0% līdz 25%

PIEZĪME: Reālā jauda var nedaudz atšķirties no norādītās atkarībā no lietošanas apstākļiem un apkārtējās temperatūras.

Slēdža darbība

▲UZMANĪBU: Pirms akumulatora kasetnes ievietošanas darbarīkā vienmēr jāpārbauda, vai darbarīks ir izslēgts.

► **Att.3:** 1. Slīdslēdzis

Lai ieslēgtu darbarīku, slīdslēdzi pārslēdz stāvoklī "I (ON)" (ieslēgts).

Lai apturētu darbarīku, slīdslēdzi pārslēdz stāvoklī "O (OFF)" (izslēgts).

Orbitālās kustības ātruma regulēšana

► **Att.4:** 1. Ripa

Orbitālās kustības ātrumu var regulēt. Lai mainītu orbitālās kustības ātrumu, ripu pagrieziet starp 1 un 5. Jo lielāks skaitlis, jo lielāks orbitālās kustības ātrums. Ripu novieto pret skaitli, kas piemērots apstrādājamajam materiālam.

PIEZĪME: Ripu nevar pagriezt uzreiz no 1 uz 5 vai no 5 uz 1. Ar spēku griežot ripu, var sabojāt darbarīku. Mainot ripas virzienu, ripu vienmēr griež, pārvietojot to starp katru blakus skaitli.

Priekšējās lampas ieslēgšana

▲UZMANĪBU: Neskatieties gaismā, neļaujiet tās avotam iespīdēt acīs.

► **Att.5:** 1. Priekšējā lampa

Lai ieslēgtu priekšējo lampu, slīdslēdzi pabīda stāvoklī "I (ON)" (ieslēgts). Kad slēdzis ir stāvoklī "I (ON)" (ieslēgts), lampa nodrošina apgaismojumu.

Gaisma automātiski izslēdzas, ja nospiež slīdslēdža aizmugurējo daļu, pēc tam slīdslēdzi pārbīdot stāvoklī "O (OFF)" (izslēgts).

Aizsardzība pret pārslodzi

Ja darbarīks tiek pārslogots un darbarīka vai akumulatora kasetnes temperatūra sasniedz noteiktu līmeni, priekšējā lampa sāks mirgot un darbarīks automātiski apstāsies. Vispirms novērs pārslogdes iemeslu, bet pirms atkārtotas ieslēgšanas ļauj darbarīkam un akumulatora kasetnei atdzist.

MONTĀŽA

▲UZMANĪBU: Pirms darbarīka regulēšanas vai apkopes vienmēr pārliecinieties, ka darbarīks ir izslēgts un akumulatora kasetne ir izņemta.

Darbarīka uzstādīšana un noņemšana

Papildu piederumi

▲BRĪDINĀJUMS: Darbarīku nedrīkst uzstādīt otrādi. Uzstādot darbarīku otrādi, to var sabojāt un izraisīt smagas traumas.

PIEZĪME: Darbarīks jāuzstāda pareizā virzienā atbilstīgi veicamajam darbam. Darbarīku var uzstādīt dažādos stāvokļos ik pēc 30 grādu leņķa.

Lai uzstādītu darbarīku (papildpiederums), to uz darbarīka atloka novieto tā, lai darbarīka atloka izciļņi iegultos atverēs uz darbarīka. Tad darbarīku nostiprina, skrūvi stingri pievelkot ar sešstūru uzgriežņatslēgu.

► **Att.6:** 1. Darbarīka atloka izciļņi 2. Atveres darbarīkā 3. Darbarīka stiprinājuma skrūve

- **Att.7:** 1. Darbarīka stiprinājuma skrūve 2. Sešstūru uzgriežņatslēga 3. Pievilkt

Lai darbarīku noņemtu, ar sešstūru uzgriežņatslēgu atskrūvē un izskrūvē darbarīka stiprinājuma skrūvi, tad darbarīku noņem.

Ja darbarīku izmanto kā slīpmašīnu, uz slīpēšanas paliktņa uzliek smilšpapīru (līmlentes stiprinājums). Jāpārliecinās, ka to forma atbilst putekļu izvadīšanas atverēm.

- **Att.8:** 1. Slīpēšanas paliktņi 2. Pievilkt 3. Smilšpapīrs

Lai noņemtu smilšpapīru, paceļ tā galu un noplēš.

Izmantojot darbarīkus ar atšķirīgu uzstādīšanas daļu, jālieto pareiza pāreja (papildpiederums).

- **Att.9:** 1. Darbarīka stiprinājuma skrūve 2. Atveres darbarīkā 3. Pāreja (nepieciešama dažiem darbarīkiem) 4. Darbarīka atloka izciļņi

Sešstūru uzgriežņu atslēgas uzglabāšana

- **Att.10:** 1. Sešstūru uzgriežņu atslēga

Kad sešstūru uzgriežņu atslēga netiek lietota, uzglabājiet to, kā parādīts zīmējumā, lai nepazaudētu.

EKSPLUATĀCIJA

▲BRĪDINĀJUMS: Pirms darbarīka ieslēgšanas un ekspluatācijas laikā rokas un seju nedrīkst tuvināt darbarīkam.

▲UZMANĪBU: Nelietojiet darbarīku ar pārmērīgu slodzi; tas var bloķēt motoru un apturēt darbarīku.

▲UZMANĪBU: Lietojot darbarīku, neizmantojiet akumulatora kaseti, lai piesiestu darbarīku.

Griešana, zāģēšana un ciklēšana

▲UZMANĪBU: Nedrīkst ar spēku spiest pret darbarīku tādā virzienā (piemēram, sāniski), kurā nav griežņmalas. Tas var sabojāt darbarīku.

- **Att.11**

Darbarīku novieto uz apstrādājamā materiāla. Pēc tam darbarīku virza uz priekšu tā, lai nesamazinātu darbarīka ātrumu.

PIEZĪME: Spēks vai pārmērīgs spiediens var mazināt darbarīka darbības efektivitāti.

PIEZĪME: Pirms griešanas orbitālās kustības ātrumu ieteicams iestatīt diapazonā no 3 līdz 5.

slīpēšana

▲UZMANĪBU: Koka slīpēšanai nedrīkst izmantot smilšpapīru, kas jau lietots metāla slīpēšanai.

▲UZMANĪBU: Nedrīkst izmantot nolietotu smilšpapīru vai smilšpapīru bez smiltīm.

Smilšpapīru piemēro materiālam.

- **Att.12**

PIEZĪME: Lai noteiktu pareizo un darbam piemērotu orbitālās kustības ātrumu, ieteicams izmantot apstrādājamā materiāla paraugu.

PIEZĪME: Jāizmanto smilšpapīrs ar vienādu smilts graudu lielumu, līdz noslīpēts viss apstrādājams materiāls. Ja izmanto smilšpapīru ar atšķirīgu smilts graudu lielumu, apdare var nebūt kvalitatīva.

Putekļu savācēja papildierīce

Papildu piederumi

▲UZMANĪBU: Slīpējot metālu, nedrīkst izmantot putekļu savācēja papildierīci. Dzirksteļu un karsto daļiņu iekļūšana darbarīkā var izraisīt dūmošanu un aizdegšanos.

- **Att.13:** 1. Putekļu uzgalis 2. Savienojums 3. Putekļu papildierīce 4. Uzgaļa stīpa 5. Atveres rīkā 6. Filca gredzens 7. Slīpēšanas paliktņi 8. Darbarīka stiprinājuma skrūve

1. Uzstāda savienojumu, putekļu uzgali un putekļu papildierīci.
2. Uzgaļa stīpu uz darbarīka uzstāda tā, lai tās izvīrijumi ievietotos darbarīka atverēs, to nostiprinot.
3. Filca gredzenu un slīpēšanas paliktņi novieto uz putekļu papildierīces un piestiprina ar darbarīka stiprinājuma skrūvi.

Lai strādātu tīrāk, darbarīkam pievieno putekļsūcēju. Putekļu savācējam (papildpiederums) pievieno putekļsūcēja šļūteni.

- **Att.14**

APKOPE

▲UZMANĪBU: Pirms darbarīka pārbaudes vai apkopes vienmēr pārliecinieties, ka darbarīks ir izslēgts un akumulatora kasetne ir izņemta.

IEVĒRĪBAI: Nekad neizmantojiet gazoļīnu, benzīnu, atšķaidītāju, spirtu vai līdzīgus šķidrumus. Tas var radīt izbalēšanu, deformāciju vai plaisas.

Lai saglabātu izstrādājuma DROŠU un UZTICAMU darbību, remontdarbus, apkopi un regulēšanu uzticiet veikt tikai Makita pilnvarotam vai rūpnīcas apkopes centram, un vienmēr izmantojiet tikai Makita rezerves daļas.

PAPILDU PIEDERUMI

⚠ UZMANĪBU: Šādi piederumi un papildierīces tiek ieteiktas lietošanai ar šajā rokasgrāmatā aprakstīto Makita darbarīku. Izmantojot citus piederumus vai papildierīces, var tikt radīta traumu gūšanas bīstamība. Piederumu vai papildierīci izmantojiet tikai paredzētajam mērķim.

Ja jums vajadzīga palīdzība vai precīzāka informācija par šiem piederumiem, vērsieties savā tuvākajā Makita apkopes centrā.

- Segmentu zāģa asmens
- Diska zāģa asmens
- Iezāģēšanas zāģa asmens
- Skrāpis (ciets)
- Skrāpis (elastīgs)
- Robots segmentu asmens
- Parastais savienojumu grieznis
- Smagā metāla noņēmējs
- Smagā metāla segmentu zāģa asmens
- Smagā metāla slīpēšanas plāksne
- Dimanta segmentu zāģa asmens
- Slīpēšanas paliktnis
- Pāreja
- Abrazīvs papīra trijstūris (sarkans/balts/melns)
- Plīša trijstūris (vidējs/raupjš/bez smiltīm)
- Plīša trijstūris pulēšanai
- Sešstūru uzgriežņatslēga
- Putekļu savācēja papildierīce
- Makita oriģinālais akumulators un lādētājs

PIEZĪME: Daži sarakstā norādītie izstrādājumi var būt iekļauti instrumenta komplektācijā kā standarta piederumi. Tie dažādās valstīs var būt atšķirīgi.

SPECIFIKACIJOS

Modelis:		TM30D	
Virpesių per minutę		6 000–20 000 min ⁻¹	
Virpesių kampas, kairė / dešinė		1,6° (3,2° iš viso)	
Vardinė įtampa		Nuol. sr. 10,8 V	
Akumuliatoriaus kasetė		BL1015, BL1020B	BL1040B
Bendrasis ilgis		277 mm	296 mm
Grynasis svoris	be dulkių ištraukimo priedo	1,1 kg	1,2 kg
	su dulkių ištraukimo priedu	1,2 kg	1,3 kg

- Atliekame tęstinius tyrimus ir nuolatos tobuliname savo gaminius, todėl čia pateikiamos specifikacijos gali būti keičiamos be įspėjimo.
- Įvairiose šalyse specifikacijos ir akumuliatoriaus kasetė gali skirtis.
- Svoris su akumuliatoriaus kasete pagal 2003-01 EPTA procedūrą

Numatytoji naudojimo paskirtis

Šis įrankis skirtas medienai, plastikui, gipsui, spalvotiesiems metalams pjauti bei pjaustyti ir detalėms (pvz., negrūdinto plieno vinims ir kabėms) tvirtinti. Jis taip pat skirtas minkštomis sieninėms plytelėms apdirbti, taip pat sausai šlifuoti ir nedidelėms paviršiams grandyti. Jis ypač tinka pakraščiams apdirbti ir lygiems pjūviams atlikti.

Triukšmas

Įprastas triukšmo A lygis, nustatytas pagal EN60745:

Darbo režimas: šlifavimas

Garso slėgio lygis (L_{pA}): 75 dB (A)

Paklaida (K): 3 dB (A)

Dirbant triukšmo lygis gali viršyti 80 dB (A).

Darbo režimas: pjovimas įleidžiamųjų pjūvių pjovimo disku

Garso slėgio lygis (L_{pA}): 82 dB (A)

Garso galios lygis (L_{WA}): 93 dB (A)

Paklaida (K): 3 dB (A)

Darbo režimas: pjovimas segmentiniu pjovimo disku

Garso slėgio lygis (L_{pA}): 81 dB (A)

Garso galios lygis (L_{WA}): 92 dB (A)

Paklaida (K): 3 dB (A)

Darbo režimas: grandymas

Garso slėgio lygis (L_{pA}): 81 dB (A)

Garso galios lygis (L_{WA}): 92 dB (A)

Paklaida (K): 3 dB (A)

ĮSPĖJIMAS: Dėvėkite ausų apsaugą.

Vibracija

Vibracijos bendroji vertė (triašio vektorius suma) nustatyta pagal EN60745 standartą:

Darbo režimas: šlifavimas

Vibracijos emisija (a_h): 2,5 m/s² arba mažiau

Paklaida (K): 1,5 m/s²

Darbo režimas: pjovimas įleidžiamųjų pjūvių pjovimo disku

Vibracijos emisija (a_h): 10,5 m/s²

Paklaida (K): 1,5 m/s²

Darbo režimas: pjovimas segmentiniu pjovimo disku

Vibracijos emisija (a_h): 5,5 m/s²

Paklaida (K): 1,5 m/s²

Darbo režimas: grandymas

Vibracijos emisija (a_h): 9,0 m/s²

Paklaida (K): 1,5 m/s²

PASTABA: Paskelbtasis vibracijos emisijos dydis nustatytas pagal standartinį testavimo metodą ir jį galima naudoti vienam įrankiui palyginti su kitu.

PASTABA: Paskelbtasis vibracijos emisijos dydis taip pat gali būti naudojamas preliminariai įvertinti vibracijos poveikį.

ĮSPĖJIMAS: Faktiškai naudojant elektrinį įrankį, keliamos vibracijos dydis gali skirtis nuo paskelbtojo dydžio, priklausomai nuo būdų, kuriais yra naudojamas šis įrankis.

ĮSPĖJIMAS: Siekdami apsaugoti operatorių, būtina įvertinkite saugos priemones, remdamiesi vibracijos poveikio įvertinimu esant faktinėms naudojimo sąlygoms (atsižvelgdami į visas darbo ciklo dalis, pavyzdžiui, ne tik kiek laiko įrankis veikia, bet ir kiek kartų jis yra išjungiamas bei kai jis veikia be apkravų).

ES atitikties deklaracija

Tik Europos šalims

Bendrovė „Makita“ atsakingai pareiškia, kad šis įrenginys (-iai):

Mechanizmo pavadinimas: Akumuliatorinis daugiafunkcis įrankis

Modelio Nr. / tipas: TM30D

Atitinka šias Europos direktyvas: 2006/42/EC

Yra pagaminti pagal šį standartą arba normatyvinius dokumentus: EN60745

Techninį dokumentą pagal 2006/42/EC galima gauti iš:

Makita, Jan-Baptist Vinkstraat 2, 3070, Belgium

(Belgija)

24.9.2015

Yasuaki Fukaya

SAUGOS ĮSPĖJIMAI

Bendrieji įspėjimai dirbant elektriniais įrankiais

▲ĮSPĖJIMAS: Perskaitykite visus saugos įspėjimus ir visą instrukciją. Nesilaikydami toliau pateiktų įspėjimų ir instrukcijų galite patirti elektros smūgį, gaisrą ir (arba) sunkų sužeidimą.

Įsisaugokite visus įspėjimus ir instrukcijas, kad galėtumėte jas peržiūrėti ateityje.

Terminas „elektrinis įrankis“ pateiktuose įspėjimuose reiškia į maitinimo tinklą jungiamą (laidinį) elektrinį įrankį arba akumulatoriaus maitinamą (belaidį) elektrinį įrankį.

Saugos įspėjimai dėl akumulatorinio daugiafunkcio įrankio naudojimo

- Šis elektrinis įrankis skirtas pjauti, pjaustyti, gažsti ir šlifuoti. Perskaitykite visus saugos įspėjimus, instrukcijas, iliustracijas bei technines sąlygas, pateikiamas kartu su šiuo elektriniu įrankiu. Dėl toliau pateiktų instrukcijų nesilaikymo gali kilti elektros smūgio, gaisro ir (arba) sunkaus sužalojimo pavojus.
- Atlikdami darbus, kurių metu pjovimo dalys gali paliesti paslėptus laidus, laikykite elektrinį įrankį tik už izoliuotų, laikyti skirtų paviršių. Pjovimo priedui prisilietus prie laido, kuriuo teka elektros srovė, neizoliuotos metalinės elektrinio įrankio dalys gali sukelti elektros smūgį operatoriui.
- Ruošinį ant stabilios platformos tvirtinkite spaustuvais arba kitais parankiais būdais. Laikant ruošinį rankomis arba prispaudus prie kūno, jis yra nestabilus, todėl galite prarasti jo kontrolę.
- Visada naudokite apsauginius akinius. Įprastiniai akiniai ar akiniai nuo saulės NĖRA apsauginiai akiniai.
- Nepjaukite vinių. Prieš dirbdami apžiūrėkite, ar ruošinyje nėra vinių, ir jas ištraukite.
- Tvirtai laikykite įrankį.
- Prieš įjungdami jungiklį, patikrinkite, ar darbo įrankis neliečia ruošinio.
- Žiūrėkite, kad rankos būtų kuo toliau nuo judamųjų dalių.
- Nepalikite veikiančio įrankio. Naudokite įrankį tik laikydami rankomis.
- Prieš patraukdami geležtę nuo ruošinio, būtinai išjunkite ir palaukite, kol ji visiškai sustos.
- Nelieskite darbo įrankio arba ruošinio iškart po naudojimo; jie gali būti itin karšti ir nudeginti odą.
- Be reikalo nenaudokite įrankio be apkrovos.
- Atsižvelgdami į apdirbamą medžiagą ir darbo pobūdį, būtinai užsidėkite kaukę nuo dulkių / respiratorių.
- Kai kuriose medžiagose yra cheminių medžiagų, kurios gali būti nuodingos. Saugokitės, kad neįkvėptumėte dulkių ir nesi-liestumėte oda. Laikykites medžiagų tiekėjo saugos duomenų.
- Šis įrankis nėra atsparus vandeniui, todėl nenaudokite vandens ant ruošinio paviršiaus.
- Atlikdami šlifavimo darbus, tinkamai vėdinkite darbo patalpą.
- Naudojant šį įrankį tam tikriems gaminiams, dažams ir medžiui šlifuoti, pavojų operatoriui gali kelti dulkelės, kuriose yra pavojingų medžiagų. Naudokite tinkamą kvėpavimo takų apsaugą.
- Prieš naudodami patikrinkite, ar diskas nėra įskilęs ar sulūžęs. Įskilimai ir lūžimai gali sužeisti.
- Nenaudokite priedų, kurie nėra specialiai sukurti ir rekomenduojami įrankio gamintojo. Nors priedą ir galima pritaisyti prie jūsų elektrinio įrankio, tai vis tiek neužtikrina saugios eksploatacijos.
- Naudokite asmeninės apsaugos priemones. Priklausomai nuo pritaikymo, naudokite apsauginį veido skydelį arba apsauginius akinius. Kaip pridera, dėvėkite klausos apsaugos priemones, mūvėkite pirštines ir dirbtuvės prijuostę, sulaukiančią smulkius abrazyvus arba ruošinio skeveldras. Akių apsauga turi sulaukyti skriejančias nuolaužas, susidariusias įvairių operacijų metu. Apsaugos nuo dulkių kaukė arba respiratorius turi filtruoti darbo metu susidariusias dalelytes. Dėl intensyvaus ilgalaikio triukšmo galima prarasti klausą.
- Laikykite stebinčiuosius toliau nuo darbo vietos. Kiekvienas, užeinantis į darbo vietą, turi dėvėti asmeninę apsaugos aprangą. Ruošinio ar sulūžusio priedo skeveldros gali nuskrieti toliau ir sužeisti asmenis už tuo metu atliekamo darbo zonos.
- Niekada nepadėkite šio elektrinio įrankio, kol jo priedas nėra visiškai sustojęs. Greitai besisukantis priedas gali užkabinti paviršių ir jūs galite nebesuvaldyti elektrinio įrankio.
- Nešant įrankį prie savo šono, jis turi būti išjungtas. Kitaip priedas gali atsitiktinai užkabinti jūsų drabužius ir jus sužaloti.
- Nenaudokite elektrinio įrankio būdami netoliese degių medžiagų. Nuo kibirkščių degiosios medžiagos gali užsidegti.
- Nenaudokite priedų, kuriems reikalingi skysti aušalai. Naudojant vandenį ar kitą skystį gali išitekti mirtina elektros trauma ar elektros smūgis.
- Prieš ką nors darydami su įrankiu, visada patikrinkite, ar jis išjungtas, o laido kištukas – ištrauktas iš elektros lizdo, ir ar akumulatorius išimtas.

27. Būtinai įsitikinkite, ar tvirtai stovite. Jei naudojate įrankį aukštai, įsitikinkite, ar apačioje nėra žmonių.

SAUGOKITE ŠIAS INSTRUKCIJAS.

⚠ PERSPĖJIMAS: NELEISKITE, kad patogumas ir gaminio pažinimas (įgyjamas pakartotinai naudojant) susilpnintų griežtą saugos taisyklių, taikytinų šiam gaminiui, laikymąsi. Dėl NETINKAMO NAUDOJIMO arba saugos taisyklių, kurios pateiktos šioje instrukcijoje, nesilaikymo galima rimtai susižeisti.

Svarbios saugos instrukcijos, taikomos akumulatoriaus kasetei

1. Prieš naudodami akumulatoriaus kasetę, perskaitykite visas instrukcijas ir perspėjimus ant (1) akumuliatorių įkroviklio, (2) akumuliatorių ir (3) akumuliatorių naudojančio gaminio.
2. Neardykite akumulatoriaus kasetės.
3. Jei įrankio darbo laikas žymiai sutrumpėjo, nedelsdami nutraukite darbą su įrankiu. Tai gali kelti perkaitimo, nudegimų ar net sprogdimo pavojų.
4. Jei elektrolitas pateko į akis, plaukite jas tyru vandeniu ir nedelsdami kreipkitės į gydytoją. Gali kilti regėjimo praradimo pavojus.
5. Neužtrumpinkite akumulatoriaus kasetės:
 - (1) Nelieskite kontaktų degiomis medžiagomis.
 - (2) Venkite laikyti akumulatoriaus kasetę kartu su kitais metaliniais daiktais, pavyzdžiui, vinimis, monetomis ir pan.
 - (3) Saugokite akumulatoriaus kasetę nuo vandens ir lietaus.Trumpasis jungimas akumuliatoriuje gali sukelti stiprią srovę, perkaitimą, galimus nudegimus ar net akumulatoriaus gedimą.
6. Nelaikykite įrankio ir akumulatoriaus kasetės vietoje, kur temperatūra gali pasiekti ar viršyti 50 °C.
7. Nedeginkite akumulatoriaus kasetės, net jei yra stipriai pažeista ar visiškai susidėvėjusi. Ugnyje akumulatoriaus kasetė gali sprogti.
8. Saugokite akumuliatorių nuo kritimo ir smūgių.
9. Nenaudokite pažeisto akumulatoriaus.
10. Įdėtoms ličio jonų akumuliatoriams taikomi Pavojingų prekių teisės akto reikalavimai. Komercinis transportas, pvz., trečiųjų šalių, prekių vežimo atstovų, turi laikytis specialaus reikalavimo ant pakuotės ir ženklavimo. Norėdami paruošti siūstantį prekę, pasitarkite su pavojingų medžiagų specialistu. Be to, laikykitės galimai išsamesnių nacionalinių reglamentų. Užklijuokite juosta arba padenkite atvirus kontaktus ir supakuokite akumuliatorių taip, kad jį pakuotėje nejudėtų.
11. Vadovaukitės vietos įstatymais dėl akumuliatorių išmetimo.

SAUGOKITE ŠIAS INSTRUKCIJAS.

⚠ PERSPĖJIMAS: Naudokite tik originalų „Makita“ akumuliatorių. Neoriginalaus „Makita“ arba pakeisto akumulatoriaus naudojimas gali nulemti gaisrą, asmens sužalojimą ir pažeidimą. Tai taip pat panaikina „Makita“ suteikiamą „Makita“ įrankio ir įkroviklio garantiją.

Patarimai, ką daryti, kad akumuliatorių veiktų kuo ilgiau

1. Pakraukite akumulatoriaus kasetę prieš jai visiškai išsikraunant. Visuomet nustokite naudoti įrankį ir pakraukite akumulatoriaus kasetę, kai pastebite, kad įrankio galia sumažėjo.
2. Niekada nekraukite iki galo įkrautos akumulatoriaus kasetės. Perkraunant trumpėja akumulatoriaus eksploatacijos laikas.
3. Akumulatoriaus kasetę kraukite esant kambario temperatūrai 10 - 40 °C. Prieš pradėdami krauti, leiskite įkautusiai akumulatoriaus kasetei atvėsti.

VEIKIMO APRAŠYMAS

⚠ PERSPĖJIMAS: Prieš pradėdami reguliuoti arba tikrinti įrankio veikimą, visuomet būtinai išjunkite įrankį ir išimkite akumulatoriaus kasetę.

Akumulatoriaus kasetės uždėjimas ir nuėmimas

⚠ PERSPĖJIMAS: Prieš įdėdami arba išimdami akumulatoriaus kasetę, visada išjunkite įrankį.

⚠ PERSPĖJIMAS: Įdėdami arba išimdami akumulatoriaus kasetę, tvirtai laikykite įrankį ir akumulatoriaus kasetę. Jeigu įrankį ir akumulatoriaus kasetę laikysite netvirtai, jie gali išslįsti iš jūsų rankų, todėl įrankis ir akumulatoriaus kasetė gali būti sugadinti, o naudotojas sužalotas.

- **Pav.1:** 1. Raudonas indikatorius 2. Mygtukas 3. Akumulatoriaus kasetė

Jei norite išimti akumulatoriaus kasetę, ištraukite ją iš įrankio, stumdami mygtuką, esantį kasetės priekyje.

Jei norite įdėti akumulatoriaus kasetę, sulygiuokite liežuvelę ant akumulatoriaus kasetės su grioveliu korpuse ir įstumkite į jai skirtą vietą. Įdėkite iki galo, kol spragtelėdama užsifiksuos. Jeigu matote raudoną indikatorius viršutinėje mygtuko pusėje, ji nėra visiškai užfiksuota.

⚠ PERSPĖJIMAS: Akumulatoriaus kasetę visada įkiškite iki galo, kol nebematysite raudono indikatorius. Priešingu atveju ji gali atsitiktinai iškristi iš įrankio, sužeisti jus arba aplinkinius.

⚠ PERSPĖJIMAS: Nekiškite akumulatoriaus kasetės jėga. Jeigu kasetė sunkiai lenda, ją kišate netinkamai.

Akumulatoriaus apsaugos sistema

Įrankyje įrengta akumulatoriaus apsaugos sistema. Ši sistema automatiškai atjungia variklio maitinimą, kad pailgėtų akumulatoriaus naudojimo laikas.

Įrankis automatiškai išsijungs darbo metu, esant vienai iš šių įrankio ir (arba) akumulatorius darbo sąlygai:

Perkrautas:

Įrankis naudojamas taip, kad jame neįprastai padidėja elektros srovė.

Tokiu atveju atleiskite įrankio gaiduką ir nutraukite darbą, dėl kurio kilo įrankio perkrova. Po to vėl įjunkite įrankį.

Jeigu įrankis neįsijungia, reiškia perkaito akumulatorius. Tokiu atveju palaukite, kol akumulatorius atvės, paskui vėl galite įjungti įrankį.

Žema akumulatoriaus įtampa:









Likęs akumulatoriaus įkrovos lygis per žemas, todėl įrankis neveiks. Įjungus įrankį, variklis pradeda veikti, bet netrukus vėl išsijungia. Tokiu atveju išimkite akumulatorių ir jį įkraukite.

Likusios akumulatoriaus galios rodymas

Taikoma tik akumuliatorių kasetėms, kurių modelio numerio gale yra „B“

► **Pav.2:** 1. Indikatorių lemputės 2. Tikrinimo mygtukas

Paspauskite akumulatoriaus kasetės tikrinimo mygtuką, kad būtų rodoma likusi akumulatoriaus energija. Maždaug trims sekundėms užsidegs indikatorių lemputės.

Indikatorių lemputės		Likusi galia
Šviečia	Nešviečia	
		75% - 100%
		50% - 75%
		25% - 50%
		0% - 25%

PASTABA: Rodmuo gali šiek tiek skirtis nuo faktinės energijos lygio – tai priklauso nuo naudojimo sąlygų ir aplinkos temperatūros.

Jungiklio veikimas

▲PERSPĖJIMAS: Prieš įdėdami akumulatoriaus kasetę į įrankį, visada patikrinkite, ar įrankis yra išjungtas.

► **Pav.3:** 1. Stumdomas jungiklis

Jei norite įjungti įrankį, pastumkite stumdąjungiklį į padėtį „I“ (įjungta).

Norėdami įrankį išjungti, pastumkite stumdąjungiklį padėties „O“ (išjungta) link.

Sukimosi greičio reguliavimas

► **Pav.4:** 1. Ratukas

Sukimosi greitį galima reguliuoti. Norėdami keisti sukimosi greitį, nustatykite ratuku nuo 1 iki 5. Kuo šis skaičius didesnis, tuo didesnis sukimosi greitis. Nustatykite ratuką ties savo ruošiniui apdirbti tinkamu skaičiumi.

PASTABA: Ratuko negalima sukti tiesiogiai nuo 1 iki 5 arba nuo 5 iki 1. Sukdami ratuką jėga, galite sugadinti įrankį. Keisdami ratuko sukimo kryptį, ratuką visada sukite pro kiekvieną tarpinį skaičių.

Priekinės lempučių uždegimas

▲PERSPĖJIMAS: Nežiūrėkite tiesiai į šviesą arba šviesos šaltinį.

► **Pav.5:** 1. Priekinė lempučių

Norėdami įjungti priekinę lempučių, pastumkite stumdąjungiklį padėties „I“ (įjungta) link. Lemputė šviečia tol, kol jungiklis būna padėtyje „I“ (įjungta). Lemputė automatiškai užgesa paspaudus galinę stumdąjungiklio dalį, o paskui pastūmus stumdąjungiklį padėties „O“ (išjungta) link.

Apsauga nuo perkrovos

Kai įrankis būna perkrautas ir įrankio arba akumulatoriaus kasetės temperatūra pasiekia tam tikrą lygį, priekinė lempučių pradeda žybcioti ir įrankis automatiškai sustabdomas. Pašalinkite perkrovos priežastį ir leiskite įrankiui bei akumulatoriaus kasetei atvėsti, prieš tęsdami darbą.

SURINKIMAS

▲PERSPĖJIMAS: Prieš darydami ką nors įrankiui visada patikrinkite, ar įrenginys išjungtas, o akumuliatorių kasetė – nuimta.

Darbo įrankio uždėjimas ir nuėmimas

Pasirenkamas priedas

▲JSPĖJIMAS: Neuždėkite darbo įrankio apvers-tai. Uždėjus darbo įrankį apverstai, galima sugadinti įrankį ir sunkiai susižeisti.

PASTABA: Dėkite darbo įrankį tinkama kryptimi, atsižvelgdami į atliekamą darbą. Darbo įrankį galima montuoti bet koku 30 laipsnių kampu.

Norėdami sumontuoti darbo įrankį (pasirenkamą priedą), dėkite ant įrankio jungės taip, kad įrankio jungės iškyšos būtų įkištos į darbo įrankyje esančias angas. Tada pritvirtinkite darbo įrankį, tvirtai priverždami varžtą šešiakampių raktu.

► **Pav.6:** 1. Įrankio jungės iškyšos 2. Skylės darbo įrankyje 3. Darbo įrankio montavimo varžtas

► **Pav.7:** 1. Darbo įrankio montavimo varžtas 2. Šešiakampis raktas 3. Priveržti

Norėdami nuimti darbo įrankį, šešiakampių raktu atsukite ir nuimkite darbo įrankio montavimo varžtą, o paskui nuimkite darbo įrankį.

Jeigu įrankį naudojate kaip šlifukoį, uždėkite šlifavimo popierių ant šlifavimo pado (užkabinkite kabliukais). Dėdami žiūrėkite, kad atitiktų forma ir dulkių ištraukimo skylės.

► **Pav.8:** 1. Šlifavimo padas 2. Priveržti 3. Šlifavimo popierius

Norėdami nuimti šlifavimo popierių, pakelkite jo galą ir nulupkite jį.

Naudodami darbo įrankius, turinčius skirtingų tipų montavimo dalis, naudokite tinkamą adapterį (pasirenkamą priedą).

► **Pav.9:** 1. Darbo įrankio montavimo varžtas
2. Skylės darbo įrankyje 3. Adapteris (reikalingas kai kuriems darbo įrankiams)
4. Įrankio jungės iškyšos

Šešiabriaunio veržliarakčio laikymas

► **Pav.10:** 1. Šešiakampis veržliaraktis

Nenaudojamą šešiabriaunį veržliarakį laikykite taip, kaip parodyta paveikslėlyje, kad nepamestumėte.

NAUDOJIMAS

▲ JSPĖJIMAS: Prieš įjungdami įrankį ir jį naudodami, rankas ir veidą laikykite atokiai nuo darbo įrankio.

▲ PERSPĖJIMAS: Neperkraukite įrankio, nes dėl pernelyg didelės apkrovos gali sustoti variklis ir įrankis gali išsijungti.

▲ PERSPĖJIMAS: Nenaudokite įrankio akumulatoriaus kasetę spausdami į įrankį.

Pjaustymas, pjovimas ir grandymas

▲ PERSPĖJIMAS: Nestumkite įrankio jėga įrankio veikimo kryptimi (pvz., bet kurio šono link), kai nėra pjovimo krašto. Taip galite sugadinti įrankį.

► **Pav.11**

Dėkite darbo įrankį ant ruošinio.

Paskui slinkite įrankį į priekį taip, kad darbo įrankio judėjimo greitis nemažėtų.

PASTABA: Naudojant jėgą arba pernelyg spaudžiant įrankį, gali sumažėti darbo efektyvumas.

PASTABA: Prieš pradėdami pjauti, sukimosi greitį rekomenduojama nustatyti 3–5 padėtyse.

Šlifavimas

▲ PERSPĖJIMAS: Šlifavimo popieriaus, naudoto metalui šlifuoti, nenaudokite medienai šlifuoti.

▲ PERSPĖJIMAS: Nenaudokite nutrinto šlifavimo popieriaus arba šlifavimo popieriaus be smėlio.

Pridėkite šlifavimo popierių prie ruošinio.

► **Pav.12**

PASTABA: Rekomenduojama atlikti bandymą ant nereikalingo ruošinio, kad galima būtų nustatyti tinkamą sukimosi greitį, tinkamą jūsų darbui atlikti.

PASTABA: Naudokite vienodo šiurkštumo šlifavimo popierių, kol nušlifuosite visą ruošinį. Pakeitus šlifavimo popierių kitokio šiurkštumo šlifavimo popieriumi, apdaila gali būti atlikta netinkamai.

Dulkių ištraukimo priedas

Pasirenkamas priedas

▲ PERSPĖJIMAS: Nenaudokite dulkių ištraukimo priedo šlifuodami metalą. Siurbiamos kibirkštys ir karštos dalelės gali sukelti dūmus ir liepsną.

► **Pav.13:** 1. Dulkių surenkamasis antgalis 2. Jungtis 3. Dulkių priedas 4. Antgalio laikiklis 5. Skylės įrankyje 6. Fetrinis žiedas 7. Šlifavimo padas 8. Darbo įrankio montavimo varžtas

1. Sumontuokite jungtį, dulkių antgalį ir dulkių priedą.
2. Antgalio laikiklį ant įrankio dėkite taip, kad jo iškyšos įsitaistyti įrankyje esančiose angose ir jį įtvirtintų.
3. Dėkite fetrinį žiedą ir šlifavimo padą ant dulkių priedo, o paskui priveržkite juos darbo įrankio montavimo varžtu.

Norėdami dirbti švariau, prijunkite prie įrankio dulkių siurbį. Prijunkite dulkių siurblio žarną prie dulkių ištraukimo priedo (pasirenkamo priedo).

► **Pav.14**

TECHNINĖ PRIEŽIŪRA

▲ PERSPĖJIMAS: Visuomet įsitinkinkite, ar įrankis yra išjungtas ir akumulatoriaus kasetė yra nuimta prieš atlikdami apžiūrą ir priežiūrą.

PASTABA: Niekada nenaudokite gazolino, benzino, tirpiklio, spirito arba panašių medžiagų. Gali atsirasti išblukimų, deformacijų arba įtrūkimų.

Kad gaminys būtų SAUGUS ir PATIKIMAS, jį taisyti, apžiūrėti ar vykdyti bet kokią kitą priežiūrą ar derinimą turi įgaliotasis kompanijos „Makita“ techninės priežiūros centras; reikia naudoti tik kompanijos „Makita“ pagamintas atsargines dalis.

PASIRENKAMI PRIEDAI

⚠ PERSPĖJIMAS: Šiuos papildomus priedus arba įtaisus rekomenduojama naudoti su šioje instrukcijoje nurodytu „Makita“ bendrovės įrankiu. Naudojant bet kokius kitus papildomus priedus arba įtaisus, gali kilti pavojus sužeisti žmones. Naudokite tik nurodytam tikslui skirtus papildomus priedus arba įtaisus.

Jeigu norite daugiau sužinoti apie tuos priedus, kreipkitės į artimiausią „Makita“ techninės priežiūros centrą.

- Segmentinis pjovimo diskas
- Apskritas pjovimo diskas
- Įleidžiamųjų pjūvių pjovimo diskas
- Grandiklis (standus)
- Grandiklis (lankstus)
- Dantytas segmentinis diskas
- Paprastas sujungimų pjoviklis
- HM šalintuvas
- HM segmentinis pjovimo diskas
- HM šlifavimo plokštelė
- Deimantinis segmentinis pjovimo diskas
- Šlifavimo padas
- Adapteris
- Šlifavimo popierius „Delta“ (raudonas / baltas / juodas)
- Multinas „Delta“ (vidutinio šiurkštumo / šiurkštus / be smėlio)
- Poliravimo fetras „Delta“
- Šešiakampis raktas
- Dulkių ištraukimo priedas
- Originalus „Makita“ akumulatorius ir įkroviklis

PASTABA: Kai kurie sąraše esantys priedai gali būti pateikti įrankio pakuotėje kaip standartiniai priedai. Jie įvairiose šalyse gali skirtis.

TEHNILISED ANDMED

Mudel:		TM30D	
Võnkumine minutis		6 000 - 20 000 min ⁻¹	
Võnkumise nurk, vasak/parem		1,6° (3,2° kokku)	
Nimipinge		Alalisvool 10,8 V	
Akukassett		BL1015, BL1020B	BL1040B
Üldpikkus		277 mm	296 mm
Netokaal	ilma tolmu äratõmbeseadiseta	1,1 kg	1,2 kg
	tolmu äratõmbeseadisega	1,2 kg	1,3 kg

- Meie pideva uuringu- ja arendusprogrammi tõttu võidakse tehnilisi andmeid muuta ilma sellest ette teatamata.
- Tehnilised andmed ja akukassett võivad riigiti erineda.
- Kaal koos akukassetiga, EPTA-protseduuri 01/2003 kohaselt

Kavandatud kasutus

Tööriist on ette nähtud puidu, plasti, kipsi, mitteraudmetallide (värviliste metallide) ja kinnitusvahendite (nt karastamata naelad ja klambrid) saagimiseks ja lõikamiseks. Samuti on tööriist mõeldud pehmete seinaplaatide töötlemiseks, väikeste pindade kuivlihvimiseks ja poleerimiseks. See sobib eriti hästi servade lähedal töötamiseks ja sukelduslõikamiseks.

Müra

Tüüpiline A-korrigeeritud müratase, määratud standardi EN60745 kohaselt:

Töörežiim: Lihvimine

Helirõhutase (L_{pA}): 75 dB (A)

Määramatus (K): 3 dB (A)

Töötamisel võib müratase ületada 80 dB (A).

Töörežiim: lõikamine vertikaallettenihkega saekettaga

Helirõhutase (L_{pA}): 82 dB (A)

Helivõimsuse tase (L_{WA}): 93 dB (A)

Määramatus (K): 3 dB (A)

Töörežiim: lõikamine segmentsaekettaga

Helirõhutase (L_{pA}): 81 dB (A)

Helivõimsuse tase (L_{WA}): 92 dB (A)

Määramatus (K): 3 dB (A)

Töörežiim: kaaplihvimine

Helirõhutase (L_{pA}): 81 dB (A)

Helivõimsuse tase (L_{WA}): 92 dB (A)

Määramatus (K): 3 dB (A)

▲HOIATUS: Kasutage kõrvakaitsmeid.

Vibratsioon

Vibratsiooni koguväärtus (kolmeteljeliste vektorite summa) määratud standardi EN60745 kohaselt:

Töörežiim: Lihvimine

Vibratsiooniindeksi (a_h): 2,5 m/s² või vähem

Määramatus (K): 1,5 m/s²

Töörežiim: lõikamine vertikaallettenihkega saekettaga

Vibratsiooniindeksi (a_h): 10,5 m/s²

Määramatus (K): 1,5 m/s²

Töörežiim: lõikamine segmentsaekettaga

Vibratsiooniindeksi (a_h): 5,5 m/s²

Määramatus (K): 1,5 m/s²

Töörežiim: kaaplihvimine

Vibratsiooniindeksi (a_h): 9,0 m/s²

Määramatus (K): 1,5 m/s²

MÄRKUS: Deklareeritud vibratsiooniindeksi väärtus on mõõdetud kooskõlas standardse testimiseetodiga ning seda võib kasutada ühe seadme võrdlemiseks teiseiga.

MÄRKUS: Deklareeritud vibratsiooniindeksi väärtust võib kasutada ka mürataseme esmaseks hindamiseks.

▲HOIATUS: Vibratsioonitase võib elektritööriista tegelikkuses kasutamise ajal erineda deklareeritud väärtusest olenevalt tööriista kasutamise viisidest.

▲HOIATUS: Rakendage operaatori kaitsmiseks kindlasti piisavaid ohutusabinõusid, mis põhinevad hinnangulisel müratasemel tegelikus tööolukorras (võttes arvesse tööperioodi kõiki osasid, nagu näiteks korrad, kui seade lülitatakse välja ja seade töötab tühikäigul, lisaks tööajale).

EÜ vastavusdeklaratsioon

Ainult Euroopa riikide puhul

Makita deklareerib, et alljärgnev(ad) masin(ad):

Masina nimetus: Juhtmeta universaalitööriist

Mudeli nr/tüüp: TM30D

Vastavad alljärgnevatele Euroopa Parlamendi ja

Nõukogu direktiividele: 2006/42/EC

Need on toodetud järgmistele standarditele või standardiseeritud dokumentidele kohaselt: EN60745

Tehniline fail, mis on kooskõlas direktiiviga 2006/42/EC, on saadaval ettevõttes:

Makita, Jan-Baptist Vinkstraat 2, 3070, Belgia

24.9.2015



Yasushi Fukaya

Direktor

Makita, Jan-Baptist Vinkstraat 2, 3070 Belgia

OHUTUSHOIATUSED

Üldised elektritööriistade ohutushoiatused

⚠️HOIATUS: Lugege läbi kõik ohutushoiatused ja juhtnõõrid. Hoiatuste ja juhtnõõride mittejärgmine võib põhjustada elektrišokki, tulekahju ja/või tõsisid vigastusi.

Hoidke edaspidisteks viide- teks alles kõik hoiatused ja juhtnõõrid.

Hoiatustes kasutatud termini „elektritööriist“ all peetakse silmas elektriga töötavaid (juhtmega) elektritööriistu või akuga töötavaid (juhtmata) elektritööriistu.

JUHTMETA UNIVERSAALTÖÖRIISTA OHUTUSHOIATUSED

1. **Antud elektritööriist on ette nähtud saagimiseks, lõikamiseks, lihvimiseks ja poleerimiseks. Lugege kõiki elektritööriistaga kaasasolevaid ohutus- ja kasutusjuhendeid ning tutvuge illustatsioonide ja tehniliste andmetega.** Kõigi juhendite täpne järgimine ennetab elektrilöögi-, tulekahju- ja/või vigastusohu.
2. **Hoidke elektritööriista lõikamise ajal isoleeritud käepidemest, kui lõikeriist võib kokku puutuda peidetud juhtmetega.** Voolu all oleva juhtmega kokkupuutesse sattunud lõiketera võib pingestada elektritööriista metallosi ning põhjustada kasutajale elektrilöögi.
3. **Kasutage detaili kinnitamiseks ja stabiilsele alusele toetamiseks klambreid või mõnda muud sobivat viisi.** Töödeldava detaili hoidmisel käega või selle toetamisel vastu keha on detail ebastabiilses asendis ja detaili üle võib kaduda kontroll.
4. **Kasutage alati kaitse- või ohutusprille. Tavalised prillid või päikeseprillid EI OLE kaitseprillid.**
5. **Vältige naeltesse sisselõikamist. Kontrollige, kas töödeldavas detailis on naelu. Eemaldage need enne töö alustamist.**
6. **Hoidke tööriistast kindlalt kinni.**
7. **Veenduge, et rakenduse tööriist ei puuduta töödeldavat detaili enne lüliti sisselülitamist.**
8. **Hoidke käed liikuvatest osadest eemal.**
9. **Ärge jätke tööriista käima. Käivitage tööriist ainult siis, kui hoiate seda käes.**
10. **Enne lõiketera eemaldamist töödeldavast detailist lülitage tööriist alati vooluvõrgust välja ja oodake, kuni lõiketera on lõplikult seiskunud.**
11. **Ärge puutuge rakenduse tööriista ega töödeldavat detaili vahetult peale puurimist; need võivad olla väga kuumad ja põhjustada nahapõletusi.**
12. **Ärge käitage tööriista tarbetult koormamata olekus.**

13. **Kasutage alati õiget tolumaski/respiraatorit, mis vastab materjalile ja rakendusele, millega töötate.**
14. **Mõned materjalid võivad sisaldada mürgiseid aineid. Võtke kasutusele meetmed tolmu sissehingamise ja nahaga kokkupuutumise vältimiseks. Järgige materjali tarnija ohutusteavet.**
15. **Tööriist ei ole veekindel, seetõttu ärge kasutage töödeldava detaili pinnal vett.**
16. **Lihvimise ajal tuulutage piisavalt oma tööpiirkonda.**
17. **Tööriista kasutamisel teatud toodete, värvikihtide ja puidu lihvimisel võib kasutaja puutuda kokku ohtlike aineid sisaldava tolmuaga. Kasutage sobivaid hingamisteede kaitsevahendeid.**
18. **Enne kasutamist veenduge, et lihvkettal poleks pragusid ja ei oleks murdunud. Praod või murdumine võivad põhjustada kehavigastuse.**
19. **Ärge kasutage tarvikuid, mida tootja ei ole spetsiaalselt selle tööriista jaoks välja töötanud. Tarviku elektritööriistale kinnitamise võimalus ei taga veel selle ohutut tööd.**
20. **Kandke isiklikku kaitsevarustust. Rakendusest olenevalt kandke näokaitset, kaitseprille või prille. Vajaduse korral kandke kõrvaklappe, kaitsekindaid ja tööpõlle, mis kaitseb teid lihvimispuru ja töödeldava detaili kildude eest. Silmakaitsemed peavad kaitsma töö käigus tekkivate lenduvate osakeste eest. Tolmumask või respiraator peab kaitsma töö käigus tekkivate filtreeruvate osakeste eest. Alaline kokkupuude suure müraga võib põhjustada kuulmiskahjustust.**
21. **Hoidke kõrvalseisjad tööalast turvalises kauguses. Kõik, kes sisenevad tööalasse, peavad kandma kaitsevarustust.** Töödeldava detaili või tarvikute osakesed võivad eemale lennata ja põhjustada vigastusi ka väljaspool vahetat tööala.
22. **Ärge pange elektritööriista maha, kui tarviku liikumine pole täielikult peatunud.** Pöörlev tarvik võib pinnal liikumist jätkata ja elektritööriista võib väljuda kontrolli alt.
23. **Ärge käitage elektritööriista selle kandmise ajal.** Juhuslik kokkupuude tarvikuga võib põhjustada riietuse kinnijäämise selle külge ja tõmmata tarviku teie kehasse.
24. **Ärge kasutage seadet tuleohtlike materjalide lähedal.** Need materjalid võivad sädemetest süttida.
25. **Ärge kasutage tarvikuid, mis nõuavad jahutusvedelikke.** Vee või teiste vedelate jahutusvahendite kasutamine võib põhjustada surmava elektrilöögi või -šoki.
26. **Kandke alati hoolt selle eest, et tööriist oleks enne igasuguseid hooldustöid välja lülitatud ja akukassett eemaldatud.**
27. **Veenduge alati, et teie jalgealune oleks kindel. Kui töötate kõrguses, siis jälgige, et teist allpool ei viibiks inimesi.**

HOIDKE JUHEND ALLES.

⚠️HOIATUS: ÄRGE UNUSTAGE järgida toote ohutusnõudeid mugavuse või toote (korduskasutamise saavutatud) hea tundmise tõttu. VALE KASUTUS või kasutusjuhendi ohutuseeskirjade eiramine võib põhjustada tervisekahjustusi.

Akukassetiga seotud olulised ohutusjuhised

1. Enne akukasseti kasutamist lugege (1) akulaadidajal, (2) akul ja (3) seadmel olevad juhtnöörid ja hoiatused läbi.
 2. Ärge võtke akukasseti lahti.
 3. Kui tööaeg järsult lüheneb, siis lõpetage kohe kasutamine. Edasise kasutamise tulemuseks võib olla ülekuumenemisoht, võimalikud põletused või isegi plahvatus.
 4. Kui elektrilüüti satub silma, siis loputage silma puhta veega ja pöörduge koheselt arsti poole. Selline õnnetus võib põhjustada pimedaksjäämist.
 5. Ärge tekitage akukassetis lühist:
 - (1) Ärge puutuge klemme elektrijuhtidega.
 - (2) Ärge hoidke akukasseti tööriistakastis koos metallesemetega, nagu naelad, münnid jne.
 - (3) Ärge tehke akukasseti märjaks ega jätke seda vihma kätte.
- Aku lühis võib põhjustada tugevat elektrivoolu, ülekuumenemist, põletusi ning ka seedet tõsiselt kahjustada.
6. Ärge hoidke tööriista ja akukasseti kohtades, kus temperatuur võib tõusta üle 50 °C.
 7. Ärge põletage akukasseti isegi siis, kui see on saanud tõsiselt vigastada või on täiesti kuluunud. Akukassetit võib tules plahvatada.
 8. Olge ettevaatlik, ärge laske akul maha kukkuda ja vältige lööke.
 9. Ärge kasutage kahjustatud akut.
 10. Sisalduvatele liitium-ioonakudele võivad kohalduda ohtlike kaupade õigusaktide nõuded.

Kaubanduslikul transportimisel, näiteks kolmandate poolte või transpordiettevõtete poolt, tuleb järgida pakendil ja siltidel toodud erinõudeid. Transportimiseks ettevalmistamisel on vajalik pidada nõu ohtliku materjali eksperdigiga. Samuti tuleb järgida võimalike riiklike regulatsioonide üksikasjalikumaid nõudeid.

Katke teibiga või varjake avatud kontaktid ja pakendage aku selliselt, et see ei saaks pakendis liukuda.
 11. Järgige kasutuskoõlbmatuks muutunud aku käitlemisel kohalikke eeskirju.

HOIDKE JUHEND ALLES.

⚠️ETTEVAATUST: Kasutage ainult Makita originaalakusid. Mitte Makita originaalakude või muudetud akude kasutamine võib põhjustada akude süttimise, kehavigastuse ja kahjustuse. Samuti muudab see kehtetuks Makita tööriista ja laadija Makita garantii.

Vihjeid aku maksimaalse kasutaja tagamise kohta

1. Laadige akukasseti enne selle täielikku tühjenemist. Kui märkate, et tööriist töötab väiksema võimsusega, peatage töö ja laadige akukasseti.
2. Ärge laadige täielikult laetud akukasseti. Ülelaadimine lühendab akude kasutusiga.
3. Laadige akukasseti toatemperatuuril 10 °C - 40 °C. Enne laadimist laske kuumenenud akukassetil maha jahtuda.

FUNKTSIONAALNE KIRJELDUS

⚠️ETTEVAATUST: Kandke alati hoolt selle eest, et tööriist oleks enne reguleerimist ja kontrollimist välja lülitatud ja akukassetit eemaldatud.

Akukasseti paigaldamine või eemaldamine

⚠️ETTEVAATUST: Lülitage tööriist alati enne akukasseti paigaldamist või eemaldamist välja.

⚠️ETTEVAATUST: Akukasseti paigaldamisel või eemaldamisel tuleb tööriista ja akukasseti kindlalt paigal hoida. Kui tööriista ja akukasseti ei hoita kindlalt paigal, võivad need käest libiseda ning kahjustada tööriista ja akukasseti või põhjustada kehavigastusi.

► **Joon.1:** 1. Punane näidik 2. Nupp 3. Akukassetit

Akukasseti eemaldamiseks libistage see tööriista küljest lahti, vajutades kasseti esiküljel paiknevat nuppu alla.

Akukasseti paigaldamiseks joondage akukasseti keel korpuse soonega ja libistage kassetit oma kohale. Paigaldage akuadapter alati nii kaugele, et see lukustuks klõpsatusega oma kohale. Kui näete nupu ülaosas punast osa, pole kassetit täielikult lukustunud.

⚠️ETTEVAATUST: Paigaldage akukassetit alati täies ulatuses nii, et punast osa ei jääks näha. Muidu võib adapter juhuslikult tööriistast välja kukkuda ning põhjustada teile või läheduses viibivatele isikutele vigastusi.

⚠️ETTEVAATUST: Ärge rakendage akukasseti paigaldamisel jõudu. Kui kassetit ei lähe kergesti sisse, pole see õigesti paigaldatud.

Aku kaitsesüsteem

Tööriist on varustatud aku kaitsesüsteemiga. Süsteem lülitab mootori automaatselt välja, et pikendada aku tööiga.

Tööriist seiskub käitamise ajal automaatselt, kui tööriista ja/või aku kohta kehtivad järgmised tingimused:

Ülekoormus:

Tööriista kasutatakse viisil, mis põhjustab toitevoolu tugevuse tõusu lubatust kõrgemale. Sellisel juhul lülitage tööriist välja ning lõpetage tööriista ülekoormuse põhjustanud tegevus. Pärast seda käivitage tööriist uuesti. Kui tööriist ei käivitu, on aku üle kuumenenud. Sellises olukorras laske akul enne tööriista uuesti sisselülitamist jahtuda.

Madal akupinge:

Järelejäänud aku voolutugevus on liiga väike ja tööriist ei tööta. Tööriista sisse lülitades hakkab mootor tööle, kuid seiskub peatselt. Sellisel juhul eemaldage aku ja laadige seda.

Aku jääkmahutavuse näit

Ainult akukassetid, mille mudelinumber lõppeb tähega „B”

► **Joon.2:** 1. Märgulambid 2. Kontrollimise nupp
Akukasseti järelejäänud mahutavuse kontrollimiseks vajutage kontrollimise nuppu. Märgulambid süttivad mõneks sekundiks.

Märgulambid	Jääkmahutavus
	75–100%
	50–75%
	25–50%
	0–25%

MÄRKUS: Näidatud mahutavus võib veidi erineda tegelikust mahutavusest olenevalt kasutustingimustest ja ümbritseva keskkonna temperatuurist.

Lüliti funktsioneerimine

⚠ETTEVAATUST: Kontrollige alati enne akukasseti paigaldamist, et tööriist oleks välja lülitatud.

► **Joon.3:** 1. Liugurlüliti

Tööriista käivitamiseks libistage liugurlüliti asendi „I” (SEES) suunas.
Tööriista seiskamiseks libistage liugurlüliti asendi „O” (VÄLJAS) suunas.

Ringikujulise liikumise kiiruse reguleerimine

► **Joon.4:** 1. Valikuketast

Ringikujulise liikumise kiirus on reguleeritav. Ringikujulise liikumise kiiruse muutmiseks pöörake valikuketast 1 ja5 vahel. Mida suurem number, seda suurem on ringikujulise liikumise kiirus. Seadke valikuketast eelnevalt töödeldava detaili jaoks sobivale numbrile.

MÄRKUS: Valikuketast saab pöörata otse 1 pealt 5 peale või 5 pealt 1 peale. Valimisketta jõuga pööramine võib tööriista kahjustada. Valimisketta suuna muutmisel keerake seda alati niimoodi, et valimisketas läbib kõik vahepealsed numbrid.

Eesmise lambi süütamine

⚠ETTEVAATUST: Ärge vaadake otse valgusse ega valgusalikikat.

► **Joon.5:** 1. Esilamp

Esilambi sisselülitamiseks libistage liugurlüliti asendi „I” (SEES) poole. Lamp jääb põlema seniks, kui lüliti on asendis „I” (SEES).
Lamp kustub automaatselt, kui vajutate liugurlüliti tagaosale ja libistate liugurlüliti seejärel asendi „O” (VÄLJAS) suunas.

Ülekoormuskaitse

Kui tööriist on ülekoormatud ja tööriista või akukasseti temperatuur on saavutanud teatud taseme, hakkab esilamp vilkuma ja tööriist seiskub automaatselt. Kõrvaldage ülekuumenemise põhjus ja jahutage tööriist ning akukassett uuesti käivitamiseks maha.

KOKKUPANEK

⚠ETTEVAATUST: Kandke alati hoolt selle eest, et tööriist oleks enne igasuguseid hooldustöid välja lülitatud ja akukassett eemaldatud.

Rakenduse tööriista paigaldamine või eemaldamine

Valikuline tarvik

⚠HOIATUS: Ärge paigaldage rakenduse tööriista tagurpidi. Rakenduse tööriista paigaldamine tagurpidi võib kahjustada tööriista ja põhjustada raske kehavigastuse.

MÄRKUS: Paigaldage rakenduse tööriist õiges suunas vastavalt oma tööle. Rakenduse tööriista saab paigaldada iga 30-kraadise nurga all.

Rakenduse tööriista (valikuline lisatarvik) paigaldamiseks pange see tööriista äärikule selliselt, et tööriista ääriku eenduvad osad asetuvad rakenduse tööriistas olevatesse avadesse. Seejärel kinnitage rakenduse tööriist, keerates poldi kuuskantvõtmega tugevalt kinni.

► **Joon.6:** 1. Tööriista ääriku väljaulatuvad osad 2. Augud rakenduse tööriistal 3. Rakenduse tööriista paigalduspolt

► **Joon.7:** 1. Rakenduse tööriista paigalduspolt 2. Kuuskantvõti 3. Pingutage

Rakenduse tööriista eemaldamiseks keerake selle paigalduspolt kuuskantvõtmega lahti ja eemaldage see ning seejärel eemaldage rakenduse tööriist.

Tööriista lihvijana kasutades seadke lihvpaber lihvtalale (konksu ja aasaga kinnitus).

Kontrollige paikaseadmise ajal, et nende kuju ja tolmueemaldusavad üksteisega sobituksid.

► **Joon.8:** 1. Lihvtald 2. Pingutage 3. Lihvpaber

Lihvpaberi eemaldamiseks tõstke selle ots üles ja tõm-
make lihvpaper lahti.

Kui kasutate rakenduse tööriistu, millel on erinevat
tüüpi paigaldussektsoonid, siis kasutage õiget adapterit
(valikuline lisatarviku).

► **Joon.9:** 1. Rakenduse tööriista paigalduspolt
2. Augud rakenduse tööriistal 3. Adapter
(nõutud mõnede rakenduse tööriistade
puhul) 4. Tööriista ääriku väljaulatuvad
osad

Kuuskantvõtme hoiulepanek

► **Joon.10:** 1. Kuuskantvõti

Kui kuuskantvõtit ei kasutata, siis pange see joonisel
näidatud moel hoiule, et vältida selle ära kadumist.

TÖÖRIISTA KASUTAMINE

⚠HOIATUS: Enne tööriista käivitamist ja töö-
tamise ajal hoidke oma käsi ja nägu rakenduse
tööriistast eemal.

⚠ETTEVAATUST: Ärge rakendage tööriistale
liiga suurt koormust, sest see võib põhjustada
mootori lukustumise ja tööriista seiskumise.

⚠ETTEVAATUST: Ärge suruge tööriista kasu-
tamisel akupakki tööriista vastu.

Lõikamine, saagimine ja lihvimine

⚠ETTEVAATUST: Ärge liigutage tööriista
jõuga edasi tööriista rakenduse suunas (nt
mõlema külje poole), kui lõikeserv puudub. See
võib tööriista kahjustada.

► **Joon.11**

Asetage rakenduse tööriist töödeldavale detailile.
Seejärel lükake tööriista edasi niimoodi, et rakenduse
tööriista liikumine ei aeglustuks.

MÄRKUS: Tööriistale jõu või liiga suure surve aval-
damine võib vähendada jõudlust.

MÄRKUS: Enne lõikamist on soovitatav, et seadistak-
site ringikujulise liikumise kiirusvahemikku 3 - 5.

Lihvimine

⚠ETTEVAATUST: Ärge kasutage puidu lihvi-
miseks lihvpaperit, millega lihvisite metalli.

⚠ETTEVAATUST: Ärge kasutage kulunud või
abrasiivpulbrita lihvpaperit.

Pange lihvpaper vastu töödeldavat detaili.

► **Joon.12**

MÄRKUS: Soovitame, et katsetaksite ringikujulise
liikumise kiirust töödeldava detaili materjalist proovitu-
kil, et määrata kindlaks oma töö jaoks sobiv kiirus.

MÄRKUS: Kasutage sama teralisusega lihvpaperit
kuni terve töödeldav detail on lihvitud. Lihvpaberi
väljavahetamine teise teralisusega lihvpaperi vastu ei
pruugi tagada head viimistlust.

Tolmueemaldusseadme ühendusdetail

Valikuline tarviku

⚠ETTEVAATUST: Ärge kasutage tolmuee-
maldusseadet metalli lihvimise ajal. Sädemete ja
kuumade osade imemise tulemuseks on suitsemine
ja süttimine.

► **Joon.13:** 1. Tolmuotsak 2. Liitmik 3. Tolmu ühen-
dusdetail 4. Otsaku riba 5. Augud tööriis-
tal 6. Viltrõngas 7. Lihvtald 8. Rakenduse
tööriista paigalduspolt

1. Paigaldage liitmik, tolmuotsak ja tolmueemaldus-
seadme ühendusdetail.
2. Paigaldage otsaku rihm tööriistale niimoodi, et
selle eenduvad osad asetuksid selle kinnitamiseks
tööriistas olevatesse aukudesse.
3. Paigaldage vildist rõngas ja lihvtald tolmueemal-
dusseadme ühendusdetaili külge ja seejärel kinnitage
need rakenduse tööriista paigalduspoldiga.

Töö puhtamaks teostamiseks ühendage tööriistaga tol-
muimeja. Ühendage tolmumeija voolik tolmueemaldus-
seadme (valikuline lisavarustus) ühendusdetaili külge.

► **Joon.14**

HOOLDUS

⚠ETTEVAATUST: Enne kontroll- või hooldus-
toimingute tegemist kandke alati hoolt selle eest,
et tööriist oleks välja lülitatud ja akukassett kor-
puse küljest eemaldatud.

TÄHELEPANU: Ärge kunagi kasutage bensiini,
vedeldit, alkoholi ega midagi muud sarnast. Selle
tulemuseks võib olla luitumine, deformatsioon või
pragunemine.

Toote OHUTUSE ja TÖÖKINDLUSE tagamiseks tuleb
vajalikud remonttööd ning muud hooldus- ja reguleeri-
mistööd lasta teha Makita volitatud teeninduskeskustes
või tehase teeninduskeskustes. Alati tuleb kasutada
Makita varuosi.

VALIKULISED TARVIKUD

⚠ETTEVAATUST: Neid tarvikuid ja lisaseadiseid on soovitatav kasutada koos Makita tööriistaga, mille kasutamist selles kasutusjuhendis kirjeldatakse. Muude tarvikute ja lisaseadiste kasutamisega kaasneb vigastada saamise oht. Kasutage tarvikuid ja lisaseadiseid ainult otstarbekohaselt.

Saate vajaduse korral kohalikust Makita teeninduskeskusest lisateavet nende tarvikute kohta.

- Segmentidega saeketas
- Saeketas
- Vertikaallettenihkega saeketas
- Kaabits (jäik)
- Kaabits (elastne)
- Hammastega segmenttera
- Tavaline vuugilõikur
- HM eemaldusseade
- HM segmentidega saetera
- HM lihvimisplaat
- Segmentidega teemantsaeketas
- Lihvtald
- Adapter
- Kolmnurkne lihvpaber (punane / valge / must)
- Kolmnurkne villast poleerimisketas (keskmine / kare / abrasiivpulbrita)
- Kolmnurkne poleerimisvilt
- Kuuskantvõti
- Tolmueemaldusseadme ühendusdetail
- Makita algupärane aku ja laadija

MÄRKUS: Mõned nimekirjas loetletud tarvikud võivad kuuluda standardvarustusse ning need on lisatud tööriista pakendisse. Need võivad riigiti erineda.

ТЕХНИЧЕСКИЕ ХАРАКТЕРИСТИКИ

Модель:		TM30D	
Колебаний в минуту		6 000 - 20 000 мин ⁻¹	
Угол отклонения, влево/вправо		1,6° (всего 3,2°)	
Номинальное напряжение		10,8 В пост. тока	
Блок аккумулятора		BL1015, BL1020B	BL1040B
Общая длина		277 мм	296 мм
Масса нетто	без насадки для удаления пыли	1,1 кг	1,2 кг
	с насадкой для удаления пыли	1,2 кг	1,3 кг

- Благодаря нашей постоянно действующей программе исследований и разработок указанные здесь технические характеристики могут быть изменены без предварительного уведомления.
- Технические характеристики и аккумуляторный блок могут отличаться в зависимости от страны.
- Масса (с аккумуляторным блоком) в соответствии с процедурой EPTA 01.2003

Назначение

Инструмент предназначен для распиливания и резки древесины, пластика, гипса, цветных металлов и элементов крепления (например, незакаленные гвозди и скобы). С его помощью также можно выполнять работу с мягкой стеновой плиткой, сухую шлифовку и зачистку небольших поверхностей. Он особенно удобен при работе рядом с краем и обрезке заподлицо.

Шум

Типичный уровень взвешенного звукового давления (A), измеренный в соответствии с EN60745:

Рабочий режим: Шлифование

Уровень звукового давления (L_{pA}): 75 дБ (A)

Погрешность (K): 3 дБ (A)

Уровень шума при выполнении работ может превышать 80 дБ (A).

Рабочий режим: Резка диском для врезного распила

Уровень звукового давления (L_{pA}): 82 дБ (A)

Уровень звуковой мощности (L_{WA}): 93 дБ (A)

Погрешность (K): 3 дБ (A)

Рабочий режим: Резка сегментированным пильным диском

Уровень звукового давления (L_{pA}): 81 дБ (A)

Уровень звуковой мощности (L_{WA}): 92 дБ (A)

Погрешность (K): 3 дБ (A)

Рабочий режим: Зачистка

Уровень звукового давления (L_{pA}): 81 дБ (A)

Уровень звуковой мощности (L_{WA}): 92 дБ (A)

Погрешность (K): 3 дБ (A)

⚠ ОСТОРОЖНО: Используйте средства защиты слуха.

Вибрация

Суммарное значение вибрации (сумма векторов по трем осям), определенное в соответствии с EN60745:

Рабочий режим: Шлифование

Распространение вибрации (a_{h1}): 2,5 м/с² или менее

Погрешность (K): 1,5 м/с²

Рабочий режим: Резка диском для врезного распила

Распространение вибрации (a_{h1}): 10,5 м/с²

Погрешность (K): 1,5 м/с²

Рабочий режим: Резка сегментированным пильным диском

Распространение вибрации (a_{h1}): 5,5 м/с²

Погрешность (K): 1,5 м/с²

Рабочий режим: Зачистка

Распространение вибрации (a_{h1}): 9,0 м/с²

Погрешность (K): 1,5 м/с²

ПРИМЕЧАНИЕ: Заявленное значение распространения вибрации измерено в соответствии со стандартной методикой испытаний и может быть использовано для сравнения инструментов.

ПРИМЕЧАНИЕ: Заявленное значение распространения вибрации можно также использовать для предварительных оценок воздействия.

⚠ ОСТОРОЖНО: Распространение вибрации во время фактического использования электроинструмента может отличаться от заявленного значения в зависимости от способа применения инструмента.

⚠ ОСТОРОЖНО: Обязательно определите меры безопасности для защиты оператора, основанные на оценке воздействия в реальных условиях использования (с учетом всех этапов рабочего цикла, таких как выключение инструмента, работа без нагрузки и включение).

Декларация о соответствии ЕС

Только для европейских стран

Makita заявляет, что следующее устройство (устройства):

Обозначение устройства: Аккумуляторный универсальный резак

Модель / тип: TM30D

Соответствует(-ют) следующим директивам ЕС: 2006/42/ЕС

Изготовлены в соответствии со следующим стандартом или нормативными документами: EN60745

Технический файл в соответствии с документом 2006/42/ЕС доступен по адресу:

Makita, Jan-Baptist Vinkstraat 2, 3070, Belgium
24.9.2015

Ясуси Фукайа (Yasushi Fukaya)

Директор

Makita, Jan-Baptist Vinkstraat 2, 3070, Belgium

МЕРЫ БЕЗОПАСНОСТИ

Общие рекомендации по технике безопасности для электроинструментов

⚠ ОСТОРОЖНО: Ознакомьтесь со всеми инструкциями и рекомендациями по технике безопасности. Невыполнение инструкций и рекомендаций может привести к поражению электротоком, пожару и/или тяжелым травмам.

Сохраните брошюру с инструкциями и рекомендациями для дальнейшего использования.

Термин "электроинструмент" в предупреждениях относится ко всему инструменту, работающему от сети (с проводом) или на аккумуляторах (без провода).

Правила техники безопасности при эксплуатации аккумулятора универсального резака

1. Данный электроинструмент предназначен для распиливания, резки, шлифовки и зачистки. Ознакомьтесь со всеми представленными инструкциями по технике безопасности, указаниями, иллюстрациями и техническими характеристиками, прилагаемыми к данному электроинструменту. Несоблюдение каких-либо инструкций, указанных ниже, может привести к поражению электрическим током, пожару и/или серьезной травме.

2. Если при выполнении работ существует риск контакта режущего инструмента со скрытой электропроводкой, держите электроинструмент за специально предназначенные изолированные поверхности. Контакт с проводом под напряжением приведет к тому, что металлические детали инструмента также будут под напряжением. Это может стать причиной поражения оператора электрическим током.
3. Для фиксации разрезаемой детали на устойчивой поверхности используйте зажимы или другие соответствующие приспособления. Никогда не держите распиливаемые детали в руках и не прижимайте их к телу, так как это не обеспечит устойчивого положения детали и может привести к потере контроля над инструментом.
4. Обязательно надевайте защитные очки или защитную маску для лица. Обычные или солнцезащитные очки НЕ ЯВЛЯЮТСЯ защитными очками.
5. Избегайте попадания режущего инструмента на гвозди. Перед пилением осмотрите деталь и убедитесь в отсутствии гвоздей.
6. Крепко держите инструмент.
7. Перед включением выключателя убедитесь, что приспособление не касается детали.
8. Руки должны находиться на расстоянии от движущихся деталей.
9. Не оставляйте работающий инструмент без присмотра. Включайте инструмент только тогда, когда он находится в руках.
10. Перед извлечением диска из детали всегда выключайте инструмент и ждите остановки движения диска.
11. Сразу после окончания работ не прикасайтесь к приспособлению или детали. Они могут быть очень горячими, что приведет к ожогам кожи.
12. Не эксплуатируйте инструмент без нагрузки, если в этом нет необходимости.
13. Обязательно используйте соответствующую пылезащитную маску/респиратор для защиты дыхательных путей от пыли разрезаемых материалов.
14. Некоторые материалы могут содержать токсичные химические вещества. Примите соответствующие меры предосторожности, чтобы избежать вдыхания или контакта с кожей таких веществ. Соблюдайте требования, указанные в паспорте безопасности материала.
15. Данный инструмент не является водонепроницаемым, поэтому не следует использовать воду на поверхности обрабатываемой детали.
16. При выполнении шлифовки обеспечьте хорошую вентиляцию места проведения работ.
17. Использование данного инструмента для шлифовки некоторых материалов, краски и древесины может привести к воздействию на пользователя пыли, содержащей опасные вещества. Используйте соответствующие средства защиты органов дыхания.

18. Перед использованием убедитесь в отсутствии трещин или разломов в платформе. Трещины или разломы могут привести к травме.
19. Не используйте принадлежности других производителей, не рекомендованные производителем данного инструмента. Даже если принадлежность удастся закрепить на инструменте, это не обеспечит безопасность эксплуатации.
20. Надевайте индивидуальные средства защиты. В зависимости от выполняемых операций используйте защитную маску или защитные очки. При необходимости используйте средства защиты слуха, перчатки и рабочий фартук, способный защитить от маленьких фрагментов абразива или заготовки. Средства защиты зрения должны предохранять от летящих фрагментов, появляющихся при выполнении различных операций. Пылезащитная маска или респиратор должны обеспечивать фильтрацию пыли, возникающей во время работы. Продолжительное воздействие сильного шума может стать причиной потери слуха.
21. Посторонние лица должны находиться на безопасном расстоянии от рабочей зоны. Любой приближающийся к рабочему месту человек должен предварительно надеть индивидуальные средства защиты. Осколки заготовки или сломавшейся принадлежности могут разлететься и причинить травму даже на значительном удалении от рабочего места.
22. Не кладите инструмент, пока принадлежность полностью не остановится. Вращающаяся насадка может коснуться поверхности, и вы не удержите инструмент.
23. Не включайте инструмент во время переключки. В результате случайного контакта приспособление может зацепить одежду и нанести серьезную травму.
24. Не используйте инструмент вблизи горючих материалов. Эти материалы могут воспламениться от искр.
25. Не используйте принадлежности, требующие жидкостного охлаждения. Использование воды или других охлаждающих жидкостей может привести к поражению электротоком.
26. Перед выполнением каких-либо работ с инструментом обязательно убедитесь, что он выключен и отключен от сетевой розетки, или что с него снят блок аккумулятора.
27. При выполнении работ всегда занимайте устойчивое положение. При использовании инструмента на высоте убедитесь в отсутствии людей внизу.

СОХРАНИТЕ ДАННЫЕ ИНСТРУКЦИИ.

▲ОСТОРОЖНО: НЕ ДОПУСКАЙТЕ, чтобы удобство или опыт эксплуатации данного устройства (полученный от многократного использования) доминировали над строгим соблюдением правил техники безопасности при обращении с этим устройством. **НЕПРАВИЛЬНОЕ ИСПОЛЬЗОВАНИЕ** инструмента или несоблюдение правил техники безопасности, указанных в данном руководстве, может привести к тяжелой травме.

Важные правила техники безопасности для работы с аккумуляторным блоком

1. Перед использованием аккумуляторного блока прочитайте все инструкции и предупреждающие надписи на (1) зарядном устройстве, (2) аккумуляторном блоке и (3) инструменте, работающем от аккумуляторного блока.
2. Не разбирайте аккумуляторный блок.
3. Если время работы аккумуляторного блока значительно сократилось, немедленно прекратите работу. В противном случае, может возникнуть перегрев блока, что приведет к ожогам и даже к взрыву.
4. В случае попадания электролита в глаза промойте их обильным количеством чистой воды и немедленно обратитесь к врачу. Это может привести к потере зрения.
5. Не замыкайте контакты аккумуляторного блока между собой:
 - (1) Не прикасайтесь к контактам какими-либо токопроводящими предметами.
 - (2) Не храните аккумуляторный блок в контейнере вместе с другими металлическими предметами, такими как гвозди, монеты и т. п.
 - (3) Не допускайте попадания на аккумуляторный блок воды или дождя.

Замыкание контактов аккумуляторного блока между собой может привести к возникновению большого тока, перегреву, возможным ожогам и даже поломке блока.

6. Не храните инструмент и аккумуляторный блок в местах, где температура может достигать или превышать 50 °C (122 °F).
7. Не бросайте аккумуляторный блок в огонь, даже если он сильно поврежден или полностью вышел из строя. Аккумуляторный блок может взорваться под действием огня.
8. Не роняйте и не ударяйте аккумуляторный блок.
9. Не используйте поврежденный аккумуляторный блок.
10. Входящие в комплект литий-ионные аккумуляторы должны эксплуатироваться в соответствии с требованиями законодательства об опасных товарах.

При коммерческой транспортировке, например, третьей стороной или экспедитором, необходимо нанести на упаковку специальные предупреждения и маркировку.

В процессе подготовки устройства к отправке обязательно проконсультируйтесь со специалистом по опасным материалам. Также соблюдайте местные требования и нормы. Они могут быть строже. Закройте или закрепите разомкнутые контакты и упакуйте аккумулятор так, чтобы он не переключался по упаковке.

11. **Выполняйте требования местного законодательства относительно утилизации аккумуляторного блока.**

СОХРАНИТЕ ДАННЫЕ ИНСТРУКЦИИ.

ВНИМАНИЕ: Используйте только фирменные аккумуляторные батареи Makita. Использование аккумуляторных батарей, не произведенных Makita, или батарей, которые были подвергнуты модификациям, может привести к взрыву аккумулятора, пожару, травмам и повреждению имущества. Это также автоматически аннулирует гарантию Makita на инструмент и зарядное устройство Makita.

Советы по обеспечению максимального срока службы аккумулятора

1. Заряжайте блок аккумуляторов перед его полной разрядкой. Обязательно прекратите работу с инструментом и зарядите блок аккумуляторов, если вы заметили снижение мощности инструмента.
2. Никогда не подзаряжайте полностью заряженный блок аккумуляторов. Перезарядка сокращает срок службы аккумулятора.
3. Заряжайте блок аккумуляторов при комнатной температуре в 10 - 40 °C (50 - 104 °F). Перед зарядкой горячего блока аккумуляторов дайте ему остыть.

ОПИСАНИЕ РАБОТЫ

ВНИМАНИЕ: Перед регулировкой или проверкой функций инструмента обязательно убедитесь, что он выключен и его аккумуляторный блок снят.

Установка или снятие блока аккумуляторов

ВНИМАНИЕ: Обязательно выключайте инструмент перед установкой и извлечением аккумуляторного блока.

ВНИМАНИЕ: При установке и извлечении аккумуляторного блока крепко удерживайте инструмент и аккумуляторный блок. Если не соблюдать это требование, они могут выскользнуть из рук, что приведет к повреждению инструмента, аккумуляторного блока и травмированию оператора.

► **Рис.1:** 1. Красный индикатор 2. Кнопка 3. Блок аккумулятора

Для снятия аккумуляторного блока нажмите кнопку на лицевой стороне и извлеките блок.

Для установки аккумуляторного блока совместите выступ аккумуляторного блока с пазом в корпусе и задвиньте его на место. Устанавливайте блок до упора так, чтобы он зафиксировался на месте с небольшим щелчком. Если вы можете видеть красный индикатор на верхней части клавиши, адаптер аккумулятора не полностью установлен на месте.

ВНИМАНИЕ: Обязательно устанавливайте аккумуляторный блок до конца, чтобы красный индикатор не был виден. В противном случае аккумуляторный блок может выпасть из инструмента и нанести травму вам или другим людям.

ВНИМАНИЕ: Не прилагайте чрезмерных усилий при установке аккумуляторного блока. Если блок не движется свободно, значит он вставлен неправильно.

Система защиты аккумулятора

На инструменте предусмотрена система защиты аккумулятора. Она автоматически отключает питание двигателя для продления срока службы аккумулятора.

Инструмент автоматически остановится во время работы при возникновении указанных ниже ситуаций.

Перегрузка:

Из-за способа эксплуатации инструмент потребляет очень большое количество тока.

В этом случае выключите инструмент и прекратите работу, повлекшую перегрузку инструмента. Затем включите инструмент для перезапуска.

Если инструмент не включается, значит перегрелся аккумуляторный блок. В этом случае дайте аккумулятору остыть перед повторным включением инструмента.

Низкое напряжение аккумуляторной батареи:

Уровень оставшейся емкости аккумулятора слишком низкий, и инструмент не работает. При включении инструмента электродвигатель запускается и вскоре останавливается. В этом случае снимите и зарядите аккумулятор.

Индикация оставшегося заряда аккумулятора

Только для аккумуляторных блоков, номер модели которых заканчивается на "B"

► **Рис.2:** 1. Индикаторы 2. Кнопка проверки

Нажмите кнопку проверки на аккумуляторном блоке для проверки заряда. Индикаторы загорятся на несколько секунд.

Индикаторы		Уровень заряда
 Горит	 Выкл.	
		от 75 до 100%
		от 50 до 75%
		от 25 до 50%
		от 0 до 25%

ПРИМЕЧАНИЕ: В зависимости от условий эксплуатации и температуры окружающего воздуха индикация может незначительно отличаться от фактического значения.

Действие выключателя

ВНИМАНИЕ: Перед установкой блока аккумулятора в инструмент обязательно убедитесь, что инструмент выключен.

► **Рис.3:** 1. Ползунковый переключатель

Для включения инструмента переместите ползунковый переключатель в положение I (Вкл.).

Для выключения инструмента переместите ползунковый переключатель в положение O (Выкл.).

Настройка количества орбитальных ходов

► **Рис.4:** 1. Регулятор со шкалой

Количество орбитальных ходов можно регулировать. Чтобы изменить количество орбитальных ходов, поверните регулятор со шкалой в положение от 1 до 5. Чем выше число, тем будет больше орбитальных ходов. Предварительно установите регулятор со шкалой на число, необходимое для обрабатываемой детали.

ПРИМЕЧАНИЕ: Регулятор со шкалой невозможно мгновенно повернуть с 1 на 5 или с 5 до 1. Приложение усилий к регулятору может привести к повреждению инструмента. При изменении направления вращения регулятора обязательно прокрутите его через каждое промежуточное число.

Включение передней лампы

ВНИМАНИЕ: Не смотрите непосредственно на свет или источник света.

► **Рис.5:** 1. Передняя лампа

Переместите ползунковый переключатель в положение I (Вкл.) для включения передней лампы. Лампа горит, пока переключатель находится в положении I (Вкл.).

Лампа автоматически гаснет после нажатия задней части ползункового переключателя и его последующего перемещения в положение O (Выкл.).

Защита от перегрузки

При перегрузке инструмента и достижении определенной температуры инструмента или блока аккумулятора передняя лампа начинает мигать и инструмент автоматически останавливается. Устраните причину перегрузки, дайте инструменту остыть и перезапустите блок аккумулятора.

СБОРКА

ВНИМАНИЕ: Перед проведением каких-либо работ с инструментом обязательно убедитесь, что инструмент отключен, а блок аккумулятора снят.

Установка или снятие приспособления

Дополнительные принадлежности

ОСТОРОЖНО: Не устанавливайте приспособление в перевернутом положении. Несоблюдение данного требования может привести к повреждению инструмента и серьезным травмам оператора.

ПРИМЕЧАНИЕ: Установите приспособление в правильном направлении в соответствии с проводимыми работами. Угол наклона приспособления регулируется с шагом 30 градусов.

Чтобы установить приспособление (дополнительная принадлежность), расположите его на фланце инструмента так, чтобы выступы на фланце инструмента совпали с отверстиями в приспособлении. Затем закрепите приспособление, туго затянув болт с помощью шестигранного ключа.

► **Рис.6:** 1. Выступы на фланце инструмента
2. Отверстия в приспособлении
3. Установочный болт приспособления

► **Рис.7:** 1. Установочный болт приспособления
2. Шестигранный ключ 3. Затянуть

Чтобы снять приспособление, ослабьте и снимите установочный болт приспособления с помощью шестигранного ключа.

При использовании инструмента для шлифовки установите наждачную бумагу на шлифовальную подушку (крепление типа "липучка").

При установке следите, чтобы отверстия системы пылеудаления обеих деталей совпадали.

► **Рис.8:** 1. Шлифовальная подушка 2. Затянуть
3. Наждачная бумага

Для снятия наждачной бумаги поднимите ее за край и отделите.

При использовании приспособлений с установочными узлами разного типа применяйте соответствующий адаптер (дополнительная принадлежность).

► **Рис.9:** 1. Установочный болт приспособления 2. Отверстия в приспособлении 3. Адаптер (требуется для некоторых приспособлений) 4. Выступы на фланце инструмента

Хранение шестигранного ключа

► Рис.10: 1. Шестигранный ключ

Когда шестигранный ключ не используется, храните его, как показано на рисунке, чтобы не потерять.

ЭКСПЛУАТАЦИЯ

▲ОСТОРОЖНО: Перед запуском инструмента и во время эксплуатации лицо и руки оператора должны находиться на достаточном расстоянии от приспособления.

▲ВНИМАНИЕ: Не прилагайте излишних усилий к инструменту – это может привести к блокировке электродвигателя и остановке инструмента.

▲ВНИМАНИЕ: Не удерживайте инструмент за блок аккумулятора во время работы.

Резка, распиливание и зачистка

▲ВНИМАНИЕ: Не прилагайте чрезмерных усилий при перемещении инструмента в направлении его работы (например, в одну из сторон) без режущей кромки. Это может привести к повреждению инструмента.

► Рис.11

Установите приспособление на деталь. Затем перемещайте инструмент вперед, чтобы не замедлять движения приспособления.

ПРИМЕЧАНИЕ: Приложение излишних усилий к инструменту может снизить эффективность работы.

ПРИМЕЧАНИЕ: Для резки материалов перед началом работ рекомендуется установить количество орбитальных ходов на значение 3 - 5.

Шлифование

▲ВНИМАНИЕ: Для шлифования древесины запрещается повторно использовать наждачную бумагу, которая применялась для шлифования металла.

▲ВНИМАНИЕ: Запрещается использовать изношенную наждачную бумагу или бумагу без абразивной крошки.

Поместите наждачную бумагу на деталь.

► Рис.12

ПРИМЕЧАНИЕ: Рекомендуется использовать образец материала для определения необходимого количества орбитальных ходов.

ПРИМЕЧАНИЕ: На протяжении процесса шлифования детали используйте наждачную бумагу одной и той же зернистости. Замена наждачной бумаги на бумагу другой зернистости может ухудшить качество работы.

Насадка для удаления пыли

Дополнительные принадлежности

▲ВНИМАНИЕ: Запрещено использовать насадку для удаления пыли во время шлифования металла. Всасывание искр и отлетающих частиц может привести к образованию дыма и возгоранию.

► Рис.13: 1. Пылесборный патрубок 2. Соединение 3. Пылезащитное приспособление 4. Насадка 5. Отверстия в инструменте 6. Фетровое кольцо 7. Шлифовальная подушка 8. Установочный болт приспособления

1. Установите соединение, пылесборный патрубок и пылезащитное приспособление.
2. Для надежной фиксации установите насадку на инструмент так, чтобы ее выступы совпали с отверстиями на инструменте.
3. Установите фетровое кольцо и шлифовальный фланец на пылезащитное приспособление, а затем зафиксируйте их установочным болтом приспособления.

Для "чистой" работы подсоедините к инструменту пылесос. Подсоедините шланг пылесоса к насадке для удаления пыли (дополнительное приспособление).

► Рис.14

ОБСЛУЖИВАНИЕ

▲ВНИМАНИЕ: Перед проведением проверки или работ по техобслуживанию всегда проверяйте, что инструмент выключен, а блок аккумулятора снят.

ПРИМЕЧАНИЕ: Запрещается использовать бензин, растворители, спирт и другие подобные жидкости. Это может привести к обесцвечиванию, деформации и трещинам.

Для обеспечения БЕЗОПАСНОСТИ и НАДЕЖНОСТИ оборудования ремонт, любое другое техобслуживание или регулировку необходимо производить в уполномоченных сервис-центрах Makita или сервис-центрах предприятия с использованием только сменных частей производства Makita.

ДОПОЛНИТЕЛЬНЫЕ ПРИНАДЛЕЖНОСТИ

⚠ ВНИМАНИЕ: Данные принадлежности или приспособления рекомендуются для использования с инструментом Makita, указанным в настоящем руководстве. Использование других принадлежностей или приспособлений может привести к получению травмы. Используйте принадлежность или приспособление только по указанному назначению.

Если вам необходимо содействие в получении дополнительной информации по этим принадлежностям, свяжитесь с вашим сервис-центром Makita.

- Сегментированный пильный диск
- Диск циркулярной пилы
- Диск для врезного распила
- Шабровщик (жесткий)
- Шабровщик (гибкий)

- Полотно пилы с зубьями
- Приспособление для нарезки швов
- Съёмник НМ
- Пильный диск НМ с зубьями
- Шлифовальная пластина НМ
- Алмазный сегментированный пильный диск
- Шлифовальная подушка
- Переходник
- Треугольная наждачная бумага (красная / белая / черная)
- Треугольный кусок ткани с ворсом (средний / грубый / без абразивных частиц)
- Треугольный кусок полировочного войлока
- Шестигранный ключ
- Насадка для удаления пыли
- Оригинальный аккумулятор и зарядное устройство Makita

ПРИМЕЧАНИЕ: Некоторые элементы списка могут входить в комплект инструмента в качестве стандартных приспособлений. Они могут отличаться в зависимости от страны.

Makita Europe N.V. Jan-Baptist Vinkstraat 2,
3070 Kortenberg, Belgium

Makita Corporation 3-11-8, Sumiyoshi-cho,
Anjo, Aichi 446-8502 Japan

www.makita.com

885495A981
EN, SV, NO, FI, LV,
LT, ET, RU
20160229