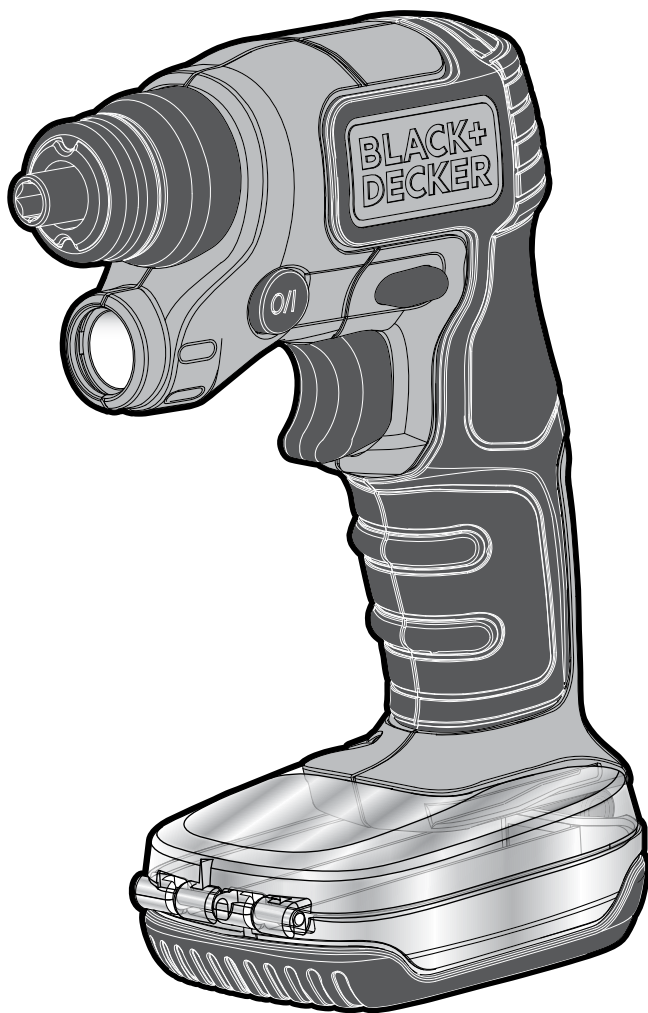


**BLACK+
DECKER**™



www.blackanddecker.eu

BDCSFS30

EN

DE

FR

IT

NL

ES

PT

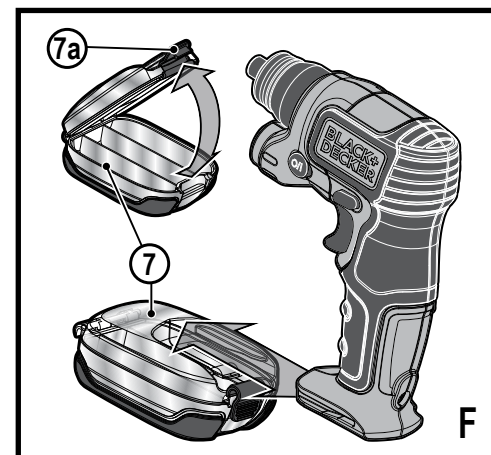
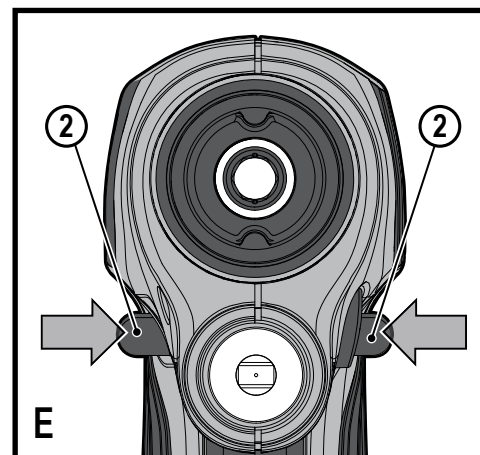
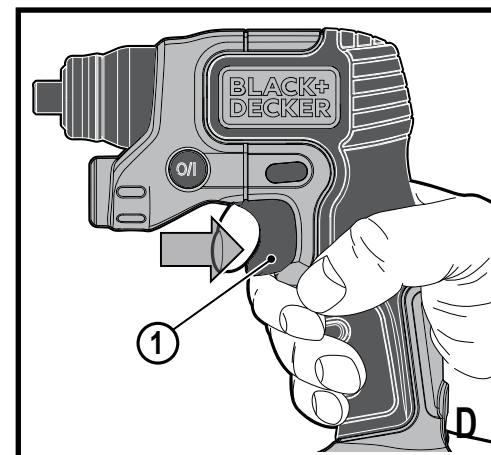
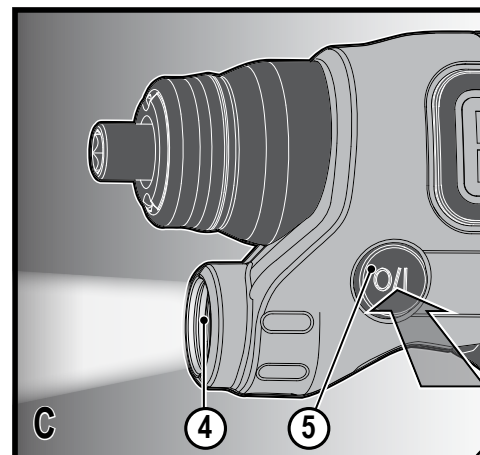
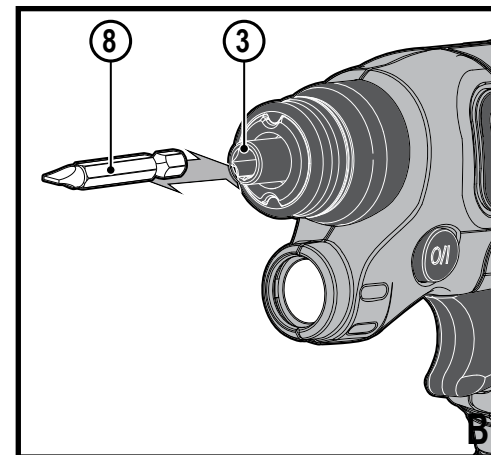
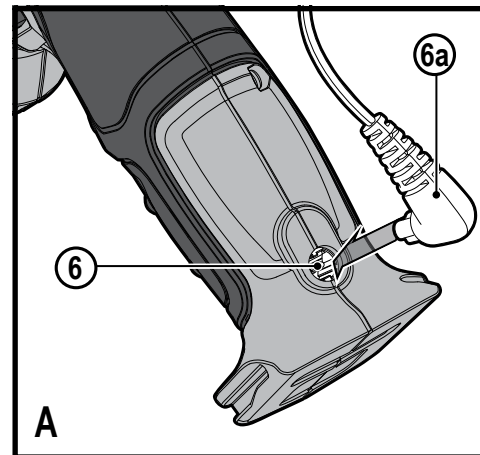
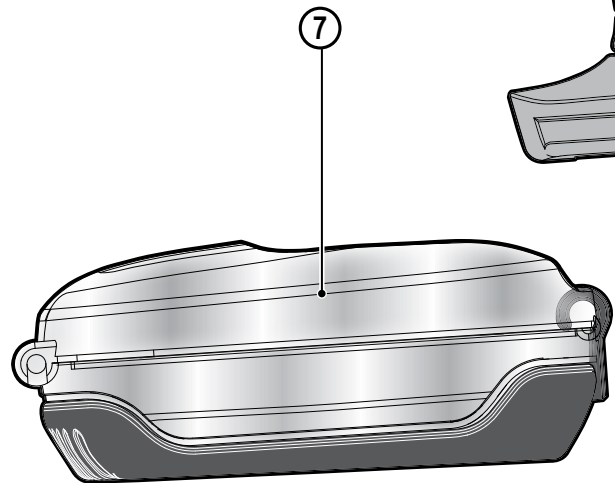
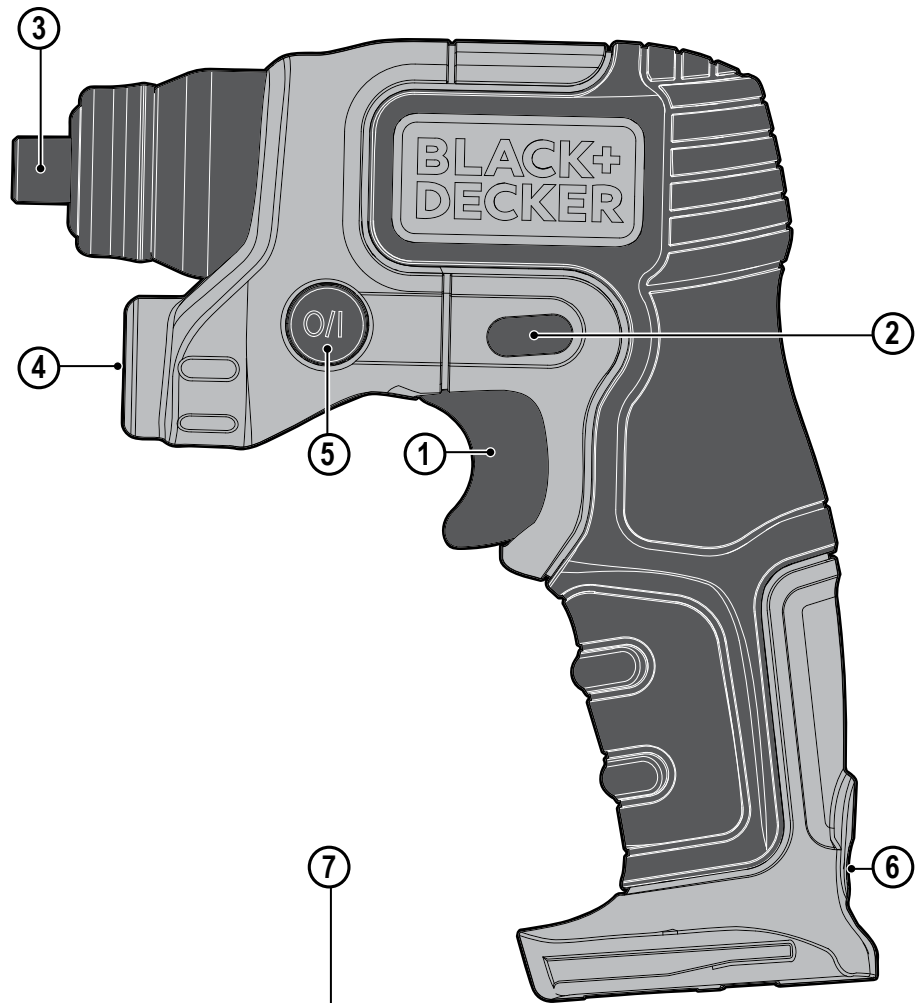
SV

NO

DK

FI

EL



Intended use

Your BLACK+DECKER BDCSFS30 storage screwdriver with flashlight has been designed for screwdriving applications. This tool is intended for consumer use only.

Safety instructions

General power tool safety warnings



Warning! Read all safety warnings and all instructions. Failure to follow the warnings and instructions listed below may result in electric shock, fire and/or serious injury.

Save all warnings and instructions for future reference.

The term "power tool" in all of the warnings listed below refers to your mains operated (corded) power tool or battery operated (cordless) power tool.

1. Work area safety

- a. **Keep work area clean and well lit.** Cluttered or dark areas invite accidents.
- b. **Do not operate power tools in explosive atmospheres, such as in the presence of flammable liquids, gases or dust.** Power tools create sparks which may ignite the dust or fumes.
- c. **Keep children and bystanders away while operating a power tool.** Distractions can cause you to lose control.

2. Electrical safety

- a. **Power tool plugs must match the outlet. Never modify the plug in any way. Do not use any adapter plugs with earthed (grounded) power tools.** Unmodified plugs and matching outlets will reduce risk of electric shock.
- b. **Avoid body contact with earthed or grounded surfaces such as pipes, radiators, ranges and refrigerators.** There is an increased risk of electric shock if your body is earthed or grounded.
- c. **Do not expose power tools to rain or wet conditions.** Water entering a power tool will increase the risk of electric shock.
- d. **Do not abuse the cord. Never use the cord for carrying, pulling or unplugging the power tool. Keep cord away from heat, oil, sharp edges or moving parts.** Damaged or entangled cords increase the risk of electric shock.
- e. **When operating a power tool outdoors, use an extension cord suitable for outdoor use.** Use of a cord suitable for outdoor use reduces the risk of electric shock.
- f. **If operating a power tool in a damp location is unavoidable, use a residual current device (RCD) protected supply.** Use of an RCD reduces the risk of electric shock.

3. Personal safety

- a. **Stay alert, watch what you are doing and use common sense when operating a power tool. Do not use a power tool while you are tired or under the influence of drugs, alcohol or medication.** A moment of inattention while operating power tools may result in serious personal injury.
- b. **Use personal protective equipment. Always wear eye protection.** Protective equipment such as dust mask, non-skid safety shoes, hard hat, or hearing protection used for appropriate conditions will reduce personal injuries.
- c. **Prevent unintentional starting. Ensure the switch is in the off-position before connecting to power source and/or battery pack, picking up or carrying the tool.** Carrying power tools with your finger on the switch or energising power tools that have the switch on invites accidents.
- d. **Remove any adjusting key or wrench before turning the power tool on.** A wrench or a key left attached to a rotating part of the power tool may result in personal injury.
- e. **Do not overreach. Keep proper footing and balance at all times.** This enables better control of the power tool in unexpected situations.
- f. **Dress properly. Do not wear loose clothing or jewellery. Keep your hair, clothing and gloves away from moving parts.** Loose clothes, jewellery or long hair can be caught in moving parts.
- g. **If devices are provided for the connection of dust extraction and collection facilities, ensure these are connected and properly used.** Use of dust collection can reduce dust-related hazards.
- h. **Do not let familiarity gained from frequent use of tools allow you to become complacent and ignore tool safety principles.** A careless action can cause severe injury within a fraction of a second.

4. Power tool use and care

- a. **Do not force the power tool. Use the correct power tool for your application.** The correct power tool will do the job better and safer at the rate for which it was designed.
- b. **Do not use the power tool if the switch does not turn it on and off.** Any power tool that cannot be controlled with the switch is dangerous and must be repaired.
- c. **Disconnect the plug from the power source and/or the battery pack from the power tool before making any adjustments, changing accessories, or storing power tools.** Such preventive safety measures reduce the risk of starting the power tool accidentally.
- d. **Store idle power tools out of the reach of children and do not allow persons unfamiliar with the power tool or these instructions to operate the power tool.**

Power tools are dangerous in the hands of untrained users.

- e. **Maintain power tools. Check for misalignment or binding of moving parts, breakage of parts and any other condition that may affect the power tools operation. If damaged, have the power tool repaired before use.** Many accidents are caused by poorly maintained power tools.
 - f. **Keep cutting tools sharp and clean.** Properly maintained cutting tools with sharp cutting edges are less likely to bind and are easier to control.
 - g. **Use the power tool, accessories and tool bits etc. in accordance with these instructions, taking into account the working conditions and the work to be performed.** Use of the power tool for operations different from those intended could result in a hazardous situation.
 - h. **Keep handles and grasping surfaces dry, clean and free from oil and grease.** Slippery handles and grasping surfaces do not allow for safe handling and control of the tool in unexpected situations.
- #### 5. Battery tool use and care
- a. **Recharge only with the charger specified by the manufacturer.** A charger that is suitable for one type of battery pack may create a risk of fire when used with another battery pack.
 - b. **Use power tools only with specifically designated battery packs.** Use of any other battery packs may create a risk of injury and fire.
 - c. **When battery pack is not in use, keep it away from other metal objects, like paper clips, coins, keys, nails, screws, or other small metal objects, that can make a connection from one terminal to another.** Shorting the battery terminals together may cause burns or a fire.
 - d. **Under abusive conditions, liquid may be ejected from the battery; avoid contact. If contact accidentally occurs, flush with water. If liquid contacts eyes, additionally seek medical help.** Liquid ejected from the battery may cause irritation and burns.
 - e. **Do not use a battery pack or tool that is damaged or modified.** Damaged or modified batteries may exhibit unpredictable behaviour resulting in fire, explosion or risk of injury.
 - f. **Do not expose a battery pack or tool to fire or excessive temperature.** Exposure to fire or temperature above 265° F may cause explosion.
 - g. **Follow all charging instructions and do not charge the battery pack or tool outside the temperature range specified in the instructions.** Charging improperly or at temperatures outside the specified range may damage the battery and increase the risk of fire.

6. Service

- a. **Have your power tool serviced by a qualified repair person using only identical replacement parts.** This will ensure that the safety of the power tool is maintained.
- b. **Never service damaged battery packs.** Service of battery packs should only be performed by the manufacturer or authorised service providers.

Additional power tool safety warnings



Warning! Additional safety warnings for screwdrivers and impact wrenches

- ◆ **Hold power tool by insulated gripping surfaces, when performing an operation where the fastener may contact hidden wiring.** Fasteners contacting a "live" wire may make exposed metal parts of the power tool "live" and could give the operator an electric shock.
- ◆ **Use clamps or another practical way to secure and support the workpiece to a stable platform.** Holding the work by hand or against your body leaves it unstable and may lead to loss of control.
- ◆ The intended use is described in this instruction manual. The use of any accessory or attachment or performance of any operation with this tool other than those recommended in this instruction manual may present a risk of personal injury and/or damage to property.

Safety of others

- ◆ Never allow children, persons with reduced physical, sensory or mental capabilities or lack of experience and knowledge or people unfamiliar with these instructions to use the machine, local regulations may restrict the age of the operator.
- ◆ Never operate the machine while people, especially children, or pets are nearby.

Additional power tool safety warnings



Warning! Additional safety warnings for torches

- ◆ Never attempt to remove or replace parts other than those specified in this manual.
- ◆ Do not operate without the lens in place or with a damaged lens.
- ◆ Never look directly into the light or shine the light into another person's eyes.



Warning! Fire hazard. Do not operate worklight or charger near flammable liquids or in gaseous or explosive atmospheres. Internal sparks may ignite fumes causing personal injury.

- ◆ Do not expose light or charger to wet or damp areas. Do not expose light or charger to rain or snow.

- ◆ Do not wash light or charger with water or allow water to get inside light or charger. Do not submerge light in water at any time.



Caution! When not in use, place the tool on its side on a stable surface where it will not cause a tripping or falling hazard. Some tools with large battery packs will stand upright on the battery pack but may be easily knocked over.

- ◆ Never view directly with optical instruments into the light source.

Residual risks

Additional residual risks may arise when using the tool which may not be included in the enclosed safety warnings. These risks can arise from misuse, prolonged use etc.

Even with the application of the relevant safety regulations and the implementation of safety devices, certain residual risks can not be avoided. These include:

- ◆ Injuries caused by touching any rotating/moving parts.
- ◆ Injuries caused when changing any parts, blades or accessories.
- ◆ Injuries caused by prolonged use of a tool. When using any tool for prolonged periods ensure you take regular breaks.
- ◆ Impairment of hearing.
- ◆ Health hazards caused by breathing dust developed when using your tool (example:- working with wood, especially oak, beech and MDF.)

Vibration

The declared vibration emission values stated in the technical data and the declaration of conformity have been measured in accordance with a standard test method provided by EN62841 and may be used for comparing one tool with another. The declared vibration emission value may also be used in a preliminary assessment of exposure.

Warning! The vibration emission value during actual use of the power tool can differ from the declared value depending on the ways in which the tool is used. The vibration level may increase above the level stated.

When assessing vibration exposure to determine safety measures required by 2002/44/EC to protect persons regularly using power tools in employment, an estimation of vibration exposure should consider, the actual conditions of use and the way the tool is used, including taking account of all parts of the operating cycle such as the times when the tool is switched off and when it is running idle in addition to the trigger time.

Labels on tool

The following symbols, along with the date code, are shown on the tool:



Warning! To reduce the risk of injury, the user must read the instruction manual.

Additional safety instructions for batteries and chargers

Batteries

- ◆ Never attempt to open for any reason.
- ◆ Do not expose the battery to water.
- ◆ Do not store in locations where the temperature may exceed 40 °C.
- ◆ Charge only at ambient temperatures between 10 °C and 40 °C.
- ◆ Charge only using the charger provided with the tool.
- ◆ When disposing of batteries, follow the instructions given in the section "Protecting the environment".



Do not attempt to charge damaged batteries.

Chargers

- ◆ Use your BLACK+DECKER charger only to charge the battery in the tool with which it was supplied. Other batteries could burst, causing personal injury and damage.
- ◆ Never attempt to charge non-rechargeable batteries.
- ◆ Have defective cords replaced immediately.
- ◆ Do not expose the charger to water.
- ◆ Do not open the charger.
- ◆ Do not probe the charger.



The charger is intended for indoor use only.



Read the instruction manual before use.

Electrical safety



Your charger is double insulated; therefore no earth wire is required. Always check that the mains voltage corresponds to the voltage on the rating plate. Never attempt to replace the charger unit with a regular mains plug.

- ◆ If the supply cord is damaged, it must be replaced by the manufacturer or an authorised BLACK+DECKER Service Centre in order to avoid a hazard.

Features

This tool includes some or all of the following features.

1. On/off trigger switch
2. Forward/reverse slider
3. Bit holder
4. Flashlight
5. Flashlight button
6. Charger connector
7. Storage Compartment

Charging tool (fig. A)

The battery needs to be charged before first use and whenever it fails to produce sufficient power on jobs that were easily done before. The battery may become warm while charging; this is normal and does not indicate a problem.

Warning! Only use the charger provided to charge the tool.

- ◆ To charge the battery, insert the charger plug (6a) into the connector (6).
- ◆ Plug in the charger.
- ◆ Leave the tool connected to the charger for 10 hours.

The charger may hum and become warm while charging; this is normal and does not indicate a problem.

Warning! Do not charge the battery at ambient temperatures below 10 °C or above 40 °C. Recommended charging temperature: approx. 24 °C.

Fitting and removing a screwdriver bit or socket (fig. B)

Warning! Make certain the tool is locked to prevent switch actuation before installing or removing accessories.

- ◆ To fit a screwdriver bit (8), push it into the bit holder (3) until it locates.
- ◆ To remove a screwdriver bit, pull it straight from the bit holder.

Use

Warning! Let the tool work at its own pace. Do not overload.

Using the flashlight (fig. C)

- ◆ Press the flashlight button (5) to operate the flashlight (4).
- ◆ Press flashlight button (5) again to turn off the flashlight (4).

Switching on and off (fig. D)

- ◆ To operate the tool, press and hold the trigger switch (1).
- ◆ To switch the tool off, release the trigger switch (1).

Selecting the direction of rotation (fig. E)

For tightening screws and drilling pilot holes, use forward (clockwise) rotation. For loosening screws or removing a jammed drill bit, use reverse (counterclockwise) rotation.

- ◆ To select forward rotation, push the forward/reverse slider (2) to the right.
- ◆ To select reverse rotation, push the forward/reverse slider (2) to the left.
- ◆ To lock the tool, set the forward/reverse slider (2) into the centre position.

Using the storage compartment (fig. F)

The unit is supplied with a removable storage compartment (7) for storing drill and driver bits, screws, wall plugs etc.

- ◆ Slide the storage compartment into the grooves located in the base of the handle as shown in figure F.
- ◆ Reverse this procedure to release the storage compartment from the driver.

How to open/close storage compartment (fig. F)

The storage compartment (7) can be opened by flipping the clasp (7a) and raising the lid as shown in figure F.

Maintenance

Your BLACK+DECKER tool has been designed to operate over a long period of time with a minimum of maintenance. Continuous satisfactory operation depends upon proper tool care and regular cleaning.

Your charger does not require any maintenance apart from regular cleaning.

Warning! Before performing any maintenance on the tool, remove the battery from the tool. Unplug the charger before cleaning it.

- ◆ Regularly clean the ventilation slots in your tool and charger using a soft brush or dry cloth.
- ◆ Regularly clean the motor housing using a damp cloth. Do not use any abrasive or solvent-based cleaner.
- ◆ Regularly tap bit holder to remove any dust from the interior.

Protecting the environment



Separate collection. Products and batteries marked with this symbol must not be disposed of with normal household waste..

Products and batteries contain materials that can be recovered or recycled reducing the demand for raw materials. Please recycle electrical products and batteries according to local provisions. Further information is available at www.2helpU.com

Technical data

BDCSFS30 H1		
Voltage	V_{DC}	3.6
No-load speed	Min^{-1}	180
Max. torque (PTI Rating)	Nm	5.5
Battery Type		Li-Ion
Battery capacity	Ah	1.5
Weight	kg	0.35

Charger 9062787*-01		
Input Voltage	V_{AC}	100 - 240
Output Voltage	V_{DC}	15
Current	mA	150
Approx. charge time	Hours	10

Level of sound pressure according to EN 62841:		
Sound pressure (L_{pA})	53 dB(A), uncertainty (K) 3 dB(A)	
Sound power (L_{wA})	64 dB(A), uncertainty (K) 3 dB(A)	

Vibration total values (triax vector sum) according to EN 62841:		
Screwdriving without impact ($a_{h,IS}$)	0.3 m/s ² , uncertainty (K) 1.5 m/s ²	

EC declaration of conformity

MACHINERY DIRECTIVE



BDCSFS30 Storage screwdriver

Black & Decker declares that these products described under "technical data" are in compliance with:

2006/42/EC, EN62841-1:2015, EN62841-2-2:2014.

These products also comply with directive 2014/30/EU and 2011/65/EU.

For more information, please contact Black & Decker at the following address or refer to the back of the manual.

The undersigned is responsible for compilation of the technical file and makes this declaration on behalf of Black & Decker.

Ray Laverick
Director of Engineering
Black & Decker Europe, 210 Bath Road, Slough,
Berkshire, SL1 3YD
United Kingdom
17/05/2017

Garantie

Black & Decker is confident of the quality of its products and offers consumers a 24 month guarantee from the date of purchase. This guarantee is in addition to and in no way prejudices your statutory rights. The guarantee is valid within the territories of the Member States of the European Union and the European Free Trade Area.

To claim on the guarantee, the claim must be in accordance with Black & Decker Terms and Conditions and you will need to submit proof of purchase to the seller or an authorised repair agent. Terms and conditions of the Black & Decker 2 year guarantee and the location of your nearest authorised repair agent can be obtained on the Internet at www.2helpU.com, or by contacting your local Black & Decker office at the address indicated in this manual.

Please visit our website www.blackanddecker.co.uk to register your new Black & Decker product and receive updates on new products and special offers.

DEUTSCH

(Übersetzung der ursprünglichen Anweisungen)

Verwendungszweck

Ihr BLACK+DECKER™ BDCSFL20 Akkuschrauber wurde für Schraubarbeiten entwickelt. Dieses Gerät ist nicht für den gewerblichen Einsatz vorgesehen.

Sicherheitshinweise

Allgemeine Sicherheitswarnungen für das Gerät



Warnung! Lesen Sie alle Sicherheitswarnhinweise und alle Anweisungen. Die Nichteinhaltung der folgenden Warnungen und Anweisungen kann einen elektrischen Schlag, Brand und/oder schwere Verletzungen verursachen.

Bewahren Sie alle Sicherheitswarnungen und Anweisungen gut auf. Der nachfolgend verwendete Begriff "Gerät" bezieht sich auf netzbetriebene Geräte (mit Netzkabel) und auf akkubetriebene Geräte (ohne Netzkabel).

1. Sicherheit im Arbeitsbereich

- Halten Sie Ihren Arbeitsbereich sauber und gut ausgeleuchtet.** Unaufgeräumte oder dunkle Bereiche begünstigen Unfälle.
- Betreiben Sie das Gerät nicht in Umgebungen, in denen Explosionsgefahr z. B. aufgrund von brennbaren Flüssigkeiten, Gasen oder Staub besteht.** Geräte erzeugen Funken, die den Staub oder die Dämpfe entzünden können.

- Halten Sie Kinder und andere Personen während der Benutzung eines Geräts fern.** Bei Ablenkung können Sie die Kontrolle verlieren.

2. Elektrische Sicherheit

- Der Netzstecker des Geräts muss in die Steckdose passen. Ändern Sie niemals den Stecker in irgendeiner Form. Verwenden Sie keinerlei Adapterstecker an geerdeten Elektrogeräten.** Unveränderte Stecker und passende Steckdosen mindern die Gefahr eines elektrischen Schlages.
- Vermeiden Sie Körperkontakt mit geerdeten Oberflächen von Rohren, Heizungen, Herden und Kühlschränken.** Es besteht eine erhöhte Gefahr für einen elektrischen Schlag, wenn Ihr Körper geerdet ist.
- Halten Sie Geräte von Regen und Nässe fern.** Das Eindringen von Wasser in ein Gerät erhöht das Risiko eines elektrischen Schlages.
- Verwenden Sie das Kabel ordnungsgemäß. Verwenden Sie es niemals zum Tragen. Trennen Sie das Gerät nicht durch Ziehen am Kabel vom Netz. Halten Sie das Kabel fern von Hitze, Öl, scharfen Kanten oder beweglichen Teilen.** Beschädigte oder verhedderte Kabel erhöhen die Gefahr eines elektrischen Schlages.
- Verwenden Sie nur für den Außenbereich zugelassene Verlängerungskabel, wenn Sie mit dem Gerät im Freien arbeiten.** Die Verwendung eines für den Außenbereich geeigneten Verlängerungskabels verringert das Risiko eines elektrischen Schlages.
- Wenn das Gerät in einer feuchten Umgebung verwendet werden muss, schließen Sie es unbedingt an eine Steckdose mit Fehlerstromschutzschalter (FI-Schalter) an.** Ein Fehlerstromschutzschalter verringert das Risiko eines elektrischen Schlages.

3. Sicherheit von Personen

- Seien Sie aufmerksam, achten Sie darauf, was Sie tun, und gehen Sie sachgerecht mit einem Gerät um. Benutzen Sie kein Gerät, wenn Sie müde sind oder unter dem Einfluss von Drogen, Alkohol oder Medikamenten stehen.** Ein Moment der Unachtsamkeit beim Betrieb eines Geräts kann zu schweren Verletzungen führen.
- Verwenden Sie eine geeignete Schutzausrüstung. Tragen Sie immer einen Augenschutz.** Das Tragen persönlicher Schutzausrüstung, wie Staubmaske, rutschfeste Sicherheitsschuhe, Schutzhelm oder Gehörschutz, je nach Art und Einsatz des Geräts, verringert das Risiko von Verletzungen.
- Vermeiden Sie eine unbeabsichtigte Inbetriebnahme. Vergewissern Sie sich, dass das Gerät ausgeschaltet ist, bevor Sie es an eine Steckdose oder einen Akku**

anschießen, es hochheben oder tragen. Wenn Sie beim Tragen des Geräts den Finger am Schalter haben oder das Gerät eingeschaltet an die Stromversorgung anschließen, kann dies zu Unfällen führen.

- Entfernen Sie Einstell- oder Schraubenschlüssel, bevor Sie das Gerät einschalten.** Werkzeuge oder Schlüssel, die an rotierenden Teilen des Geräts angebracht sind, können zu Verletzungen führen.
 - Beugen Sie sich nicht zu weit nach vorne. Sorgen Sie für einen sicheren Stand und halten Sie jederzeit das Gleichgewicht.** Dadurch können Sie das Gerät in unerwarteten Situationen besser kontrollieren.
 - Tragen Sie geeignete Kleidung. Tragen Sie keine weite Kleidung und keinen Schmuck. Halten Sie Ihre Haare, Kleidung und Handschuhe von beweglichen Teilen fern.** Lose sitzende Kleidung, Schmuck oder lange Haare können sich in den beweglichen Teilen verfangen.
 - Falls Vorrichtungen zum Absaugen oder Auffangen von Staub vorhanden sind, vergewissern Sie sich, dass diese angeschlossen sind und richtig verwendet werden.** Das Verwenden einer Staubauffangvorrichtung verringert Gefährdungen durch Staub.
 - Vermeiden Sie, durch die häufige Nutzung des Werkzeugs in einen Trott zu verfallen und Prinzipien für die Werkzeugsicherheit zu ignorieren.** Eine unachtsame Aktion kann im Bruchteil einer Sekunde zu schweren Verletzungen führen.
- Gebrauch und Pflege von Geräten**
 - Überlasten Sie das Gerät nicht. Verwenden Sie das für Ihre Arbeit passende Gerät.** Das richtige Gerät wird die Aufgabe besser und sicherer erledigen, wenn es bestimmungsgemäß verwendet wird.
 - Verwenden Sie das Gerät nicht, wenn der Ein-/Ausschalter nicht funktioniert.** Ein Gerät, das sich nicht mehr ein- oder ausschalten lässt, ist gefährlich und muss repariert werden.
 - Ziehen Sie den Stecker aus der Steckdose, oder trennen Sie das Gerät vom Akku, bevor Sie Einstellungen vornehmen, Zubehörteile wechseln oder das Gerät lagern.** Diese Vorbeugemaßnahmen mindern die Gefahr, dass das Elektrogerät unbeabsichtigt startet.
 - Bewahren Sie unbenutzte Geräte außerhalb der Reichweite von Kindern auf. Lassen Sie Geräte nicht von Personen benutzen, die damit nicht vertraut sind oder diese Anweisungen nicht gelesen haben.** Geräte sind in den Händen nicht geschulter Personen gefährlich.
 - Halten Sie das Gerät in einem einwandfreien Zustand. Kontrollieren Sie, ob bewegliche Teile falsch ausgerichtet sind oder klemmen und ob Teile gebrochen oder so beschädigt sind, dass die Funktion**

des Geräts beeinträchtigt ist. Bei Beschädigungen lassen Sie das Gerät reparieren, bevor Sie es verwenden. Viele Unfälle entstehen wegen mangelnder Wartung der Geräte.

- f. **Halten Sie Schneidgeräte scharf und sauber.** Richtig gewartete Schneidwerkzeuge mit scharfen Klingen blockieren seltener und sind leichter unter Kontrolle zu halten.
- g. **Verwenden Sie Geräte, Zubehör, Einsätze usw. entsprechend diesen Anweisungen und berücksichtigen Sie dabei die Arbeitsbedingungen und die auszuführende Arbeit.** Der Gebrauch von Geräten für andere als die vorgesehenen Zwecke kann zu gefährlichen Situationen führen.
- h. **Halten Sie die Griffe trocken, sauber und frei von Öl und Fett.** Rutschige Griffe und Oberflächen unterbinden die sichere Bedienbarkeit und Kontrolle über das Werkzeug in unerwarteten Situationen.
5. **Gebrauch und Pflege von Akkuwerkzeugen**
- a. **Laden Sie den Akku nur mit dem vom Hersteller vorgesehenen Ladegerät auf.** Für ein Ladegerät, das nur für eine bestimmte Akkuart geeignet ist, besteht Brandgefahr, wenn es mit anderen Akkus verwendet wird.
- b. **Verwenden Sie nur die für das jeweilige Gerät vorgesehenen Akkus.** Die Verwendung anderer Akkus kann zu Verletzungen oder Bränden führen.
- c. **Bewahren Sie den Akku bei Nichtbenutzung nicht in der Nähe metallischer Objekte wie Büroklammern, Münzen, Schlüsseln, Nägeln oder Schrauben auf, da diese eine Verbindung zwischen beiden Polen des Akkus herstellen können.** Durch den dadurch entstehenden Kurzschluss kann der Akku in Brand geraten.
- d. **Bei falscher Anwendung kann Flüssigkeit aus dem Akku austreten. Vermeiden Sie den Kontakt damit. Bei unbeabsichtigtem Kontakt mit Wasser abspülen. Gelangt die Flüssigkeit in die Augen, ziehen Sie außerdem ärztliche Hilfe hinzu.** Austretende Akkufflüssigkeit kann zu Hautreizungen oder Verbrennungen führen.
- e. **Verwenden Sie keine Akkus oder Werkzeuge, die beschädigt sind oder modifiziert wurden.** Beschädigte oder modifizierte Akkus können sich unvorhersehbar verhalten und stellen ein Risiko von Feuer, Explosionen oder Verletzungen dar.
- f. **Setzen Sie Akkus und Werkzeuge keinem Feuer oder extremen Temperaturen aus.** Die Einwirkung von Feuer oder Temperaturen über 130°C kann zu Explosionen führen.
- g. **Befolgen Sie alle Anweisungen zum Aufladen und laden Sie den Akku oder das Werkzeug nicht jenseits des in der Anleitung angegebenen**

Temperaturbereichs auf. Das falsche Aufladen oder das Aufladen bei Temperaturen jenseits des angegebenen Bereichs kann den Akku beschädigen und das Brandrisiko erhöhen.

6. Service

- a. **Lassen Sie das Gerät nur von qualifiziertem Fachpersonal und nur mit Originalersatzteilen reparieren.** Damit wird sichergestellt, dass die Sicherheit des Geräts erhalten bleibt.
- b. **Führen Sie an beschädigten Akkus niemals Wartungsarbeiten durch.** Die Wartung von Akkus darf nur vom Hersteller oder von autorisierten Dienstleistern durchgeführt werden.

Zusätzliche Sicherheitswarnungen für das Gerät



Warnung! Zusätzliche Sicherheitshinweise für Akkuschrauber und Schlagschrauber

- ◆ **Halten Sie das Elektrowerkzeug an den isolierten Griffflächen, wenn Arbeiten durchgeführt werden, bei denen das Gerät versteckte Leitungen berühren könnte.** Der Kontakt mit stromführenden Leitungen kann auch offen liegende Metallteile am Gerät unter Strom setzen und zu einem Stromschlag führen.
- ◆ **Sichern Sie das Werkstück zum Beispiel mit Einspannvorrichtungen auf einer stabilen Plattform.** Das Werkstück ist instabil, wenn es mit der Hand oder dem Körper abgestützt wird, was zum Verlust der Kontrolle führen kann.
- ◆ Die bestimmungsgemäße Verwendung ist in dieser Betriebsanleitung beschrieben. Die Verwendung von Zubehör- oder Anbauteilen, die nicht in dieser Anleitung empfohlen werden, sowie die Bedienung des Geräts in Abweichung von den in dieser Anleitung beschriebenen Verfahren können zu Verletzungen und/oder Sachschäden führen.

Sicherheit anderer Personen

- ◆ Lassen Sie diese Maschine niemals von Personen mit eingeschränkten körperlichen, sensorischen oder geistigen Fähigkeiten oder mangelnder Erfahrung und Wissen in Bezug auf diese Anweisungen bedienen; örtliche Bestimmungen können das Alter des Benutzers einschränken.
- ◆ Es sollte stets ein Sicherheitsabstand zu anderen Personen, insbesondere Kindern, und Haustieren eingehalten werden.

Zusätzliche Sicherheitswarnungen für das Gerät



Warnung! Zusätzliche Sicherheitswarnungen für Lampen

- ◆ Ersetzen oder entfernen Sie keine Teile, für die in dieser Anleitung keine entsprechende Beschreibung enthalten ist.
- ◆ Betreiben Sie das Gerät nie mit beschädigter Linse oder ohne Linse.
- ◆ Blicken Sie niemals direkt in den Lichtstrahl, und richten Sie den Scheinwerfer nicht auf die Augen einer anderen Person.



Warnung! Feuergefahr. Betreiben Sie die Arbeitsleuchte oder das Ladegerät nicht in der Nähe von entflammaren Flüssigkeiten oder Gasen oder in explosionsgefährdeten Umgebungen. Funken im Inneren können Gase entzünden und zu Verletzungen führen.

- ◆ Setzen Sie die Leuchte oder das Ladegerät weder Nässe noch Feuchtigkeit aus. Setzen Sie die Leuchte oder das Ladegerät weder Regen noch Schnee aus.
- ◆ Reinigen Sie die Leuchte oder das Ladegerät nicht mit Wasser und lassen Sie keine Flüssigkeiten hineingelangen. Tauchen Sie die Leuchte keinesfalls unter Wasser.



Achtung! Legen Sie das Gerät bei Nichtgebrauch auf einer stabilen Unterlage ab, und achten Sie darauf, dass andere Personen nicht über die Lampe stolpern können. Bestimmte Werkzeuge mit großen Akkus stehen aufrecht auf dem Akku und können leicht umgeworfen werden.

- ◆ Blicken Sie keinesfalls direkt in die Lichtquelle, wenn Sie optische Hilfsmittel verwenden.

Restrisiken

Beim Gebrauch dieses Geräts verbleiben zusätzliche Restrisiken, die möglicherweise nicht in den Sicherheitswarnungen genannt werden. Diese Risiken bestehen beispielsweise bei Missbrauch oder längerem Gebrauch. Auch bei der Einhaltung der entsprechenden Sicherheitsvorschriften und der Verwendung aller Sicherheitsgeräte bestehen weiterhin bestimmte Restrisiken. Diese sind:

- ◆ Verletzungen, die durch das Berühren von sich drehenden/bewegenden Teilen verursacht werden.
- ◆ Verletzungen, die durch das Austauschen von Teilen, Messern oder Zubehör verursacht werden.
- ◆ Verletzungen, die durch längeren Gebrauch eines Geräts verursacht werden. Legen Sie bei längerem Gebrauch regelmäßige Pausen ein.
- ◆ Beeinträchtigung des Gehörs.
- ◆ Gesundheitsrisiken durch das Einatmen von Staub beim Verwenden des Geräts (beispielsweise bei Holzarbeiten, insbesondere Eiche, Buche und MDF).

Vibration

Die in den Abschnitten "Technische Daten" und "EU-Konformitätserklärung" angegebenen Werte für die Vibrationsemission wurden mit einer Standard-Prüfmethode nach EN62841 ermittelt und können zum Vergleich verschiedener Geräte herangezogen werden. Außerdem kann mit Hilfe dieses Werts die Belastung bei Verwendung des Geräts schon im Voraus eingeschätzt werden.

Warnung! Die bei Verwendung des Geräts auftretende Vibrationsemission hängt von der Art des Gerätegebrauchs ab und kann dementsprechend von dem angegebenen Wert abweichen. Gegebenenfalls kann die Vibration über dem angegebenen Wert liegen.

Für die Ermittlung der Vibrationsbelastung müssen die tatsächlichen Einsatzbedingungen und Verwendungen des Geräts während des gesamten Arbeitsgangs berücksichtigt werden, einschließlich der Zeiten, wenn das Gerät nicht verwendet oder im Leerlauf betrieben wird. Diese Werte werden benötigt, um die gemäß 2002/44/EG erforderlichen Sicherheitsmaßnahmen zum Schutz von Personen festlegen zu können.

Etiketten am Werkzeug

Folgende Symbole sowie der Datumscode befinden sich auf dem Werkzeug:



Warnung! Lesen Sie vor Gebrauch die Anleitung. Andernfalls besteht Verletzungsgefahr.

Zusätzliche Sicherheitshinweise für Akkus und Ladegeräte

Akkus

- ◆ Keinesfalls versuchen, den Akku zu öffnen.
- ◆ Achten Sie darauf, dass der Akku nicht mit Wasser in Berührung kommt.
- ◆ Nicht bei Temperaturen über 40 °C lagern.
- ◆ Laden Sie den Akku ausschließlich bei Umgebungstemperaturen zwischen 10 °C und 40 °C.
- ◆ Verwenden Sie ausschließlich das mitgelieferte Ladegerät.
- ◆ Beachten Sie bei der Entsorgung von Batterien und Akkus die Hinweise im Abschnitt "Umweltschutz".



Versuchen Sie nie, beschädigte Akkus aufzuladen.

Ladegeräte

- ◆ Verwenden Sie das BLACK+DECKER Ladegerät nur für den Akku des Werkzeugs, mit dem es geliefert wurde. Andere Akkus können platzen und Sachschäden oder Verletzungen verursachen.
- ◆ Versuchen Sie keinesfalls, nicht aufladbare Batterien zu laden.
- ◆ Lassen Sie beschädigte Kabel sofort austauschen.

- ◆ Achten Sie darauf, dass das Ladegerät nicht mit Wasser in Berührung kommt.
- ◆ Versuchen Sie nicht, das Ladegerät zu öffnen.
- ◆ Nehmen Sie am Ladegerät keine Veränderungen vor.



Das Ladegerät darf nur im Innenbereich verwendet werden.



Vor Gebrauch die Anleitung lesen.

Elektrische Sicherheit



Das Ladegerät ist schutzisoliert, daher ist keine Erdleitung erforderlich. Stellen Sie sicher, dass die Netzspannung der auf dem Typenschild des Geräts angegebenen Spannung entspricht. Ersetzen Sie das Ladegerät keinesfalls durch ein normales Netzkabel.

- ◆ Bei einer Beschädigung des Netzkabels muss dieses durch den Hersteller oder eine BLACK+DECKER Vertragswerkstatt ausgetauscht werden, um mögliche Gefahren zu vermeiden.

Merkmale

Dieses Gerät verfügt über einige oder alle der folgenden Merkmale:

1. Abzug (Ein-/Ausschalter)
2. Vor-/Zurück-Wahlschalter
3. Bohrspitzenhalter
4. Taste zum Einstellen des Griffs
5. Griff
6. Ladeanschluss
7. Taschenlampe
8. Taschenlampenschalter

Aufladen des Geräts (Abb. A)

Der Akku muss vor der erstmaligen Benutzung sowie immer dann aufgeladen werden, wenn das Gerät nicht mehr mit voller Leistung arbeitet. Der Akku kann sich während des Aufladens erwärmen. Das ist normal und deutet nicht auf ein Problem hin.

Warnung! Verwenden Sie das mitgelieferte Ladegerät ausschließlich zum Laden des Geräts.

- ◆ Verbinden Sie zum Aufladen des Akkus den Stecker des Ladegeräts (6a) mit dem dafür vorgesehenen Anschluss (6).
- ◆ Schließen Sie das Ladegerät an eine Netzsteckdose an.
- ◆ Warten Sie mindestens 10 Stunden, bis der Akku vollständig aufgeladen ist.

Während des Ladevorgangs kann das Ladegerät summen und warm werden. Das ist normal und deutet nicht auf ein Problem hin.

Warnung! Laden Sie den Akku nicht, wenn die Umgebungstemperatur unter 10 °C oder über 40 °C liegt. Empfohlene Ladetemperatur: ca. 24 °C.

Einsetzen und Entfernen eines Schraubendrehereinsatzes oder -futters (Abb. B)

Warnung! Das Gerät muss gesperrt sein, damit keine unbeabsichtigte Bedienung des Ein-/Ausschalters vor dem Installieren bzw. Entfernen von Zubehörteilen erfolgen kann.

- ◆ Zum Anbringen eines Schraubendrehereinsatzes (9) drücken Sie diesen in den Einsatzhalter (3), bis der Einsatz fest sitzt.
- ◆ Zum Entfernen des Schraubendrehereinsatzes ziehen Sie diesen direkt aus dem Einsatzhalter.

Verwendung

Warnung! Beschleunigen Sie den Arbeitsvorgang nicht mit Gewalt. Vermeiden Sie eine Überlastung.

Verwendung der Taschenlampe (Abb. C)

- ◆ Drücken Sie den Taschenlampenschalter (8), um die Taschenlampe (7) einzuschalten.
- ◆ Drücken Sie den Taschenlampenschalter (8) erneut, um die Taschenlampe (7) auszuschalten.

Ein- und Ausschalten (Abb. D)

- ◆ Halten Sie den Auslöser (1) gedrückt, um das Gerät einzuschalten.
- ◆ Lassen Sie zum Ausschalten des Geräts den Auslöser (1) wieder los.

Auswählen der Drehrichtung (Abb. E)

Verwenden Sie zum Schrauben und Vorbohren die Vorwärtsdrehung (im Uhrzeigersinn). Verwenden Sie zum Entfernen von Schrauben und verklemmten Bohreinsätzen die Rückwärtsdrehung (gegen den Uhrzeigersinn).

- ◆ Drücken Sie den Vor-/Zurückwahlschalter (2) nach rechts, um die Vorwärtsdrehung einzustellen.
- ◆ Drücken Sie den Vor-/Zurückwahlschalter (2) nach links, um die Rückwärtsdrehung einzustellen.
- ◆ Bewegen Sie den Vor-/Zurückwahlschalter (2) in die mittlere Stellung, um das Gerät zu sperren.

Einstellen des Griffs (Abb. F)

Um ein größeres Anwendungsspektrum zu ermöglichen, kann der Griff (5) in drei verschiedenen Positionen eingestellt werden.

- ◆ Drücken Sie die Taste zum Einstellen des Griffs (4).
- ◆ Bringen Sie den Sägeschuh (5) in die gewünschte Position.
- ◆ Drücken Sie die Taste zum Einstellen des Griffs (4).

Wartung

Ihr BLACK+DECKER Gerät wurde im Hinblick auf eine lange Lebensdauer und einen möglichst geringen Wartungsaufwand entwickelt. Ein kontinuierlicher, zufriedenstellender Betrieb hängt von der richtigen Pflege des Gerätes und seiner regelmäßigen Reinigung ab.

Das Ladegerät benötigt keine Wartung, es sollte jedoch regelmäßig gereinigt werden.

Warnung! Entfernen Sie vor jeglichen Wartungsarbeiten am Gerät den Akku aus dem Gerät. Ziehen Sie das Ladegerät aus der Netzsteckdose, bevor Sie es reinigen.

- ◆ Reinigen Sie regelmäßig die Lüftungsschlitze des Geräts und des Ladegeräts mit einer weichen Bürste oder einem trockenen Tuch.
- ◆ Reinigen Sie das Motorgehäuse regelmäßig mit einem feuchten Tuch. Verwenden Sie keine scheuernden Reinigungsmittel oder Reinigungsmittel auf Lösungsmittelbasis.
- ◆ Entfernen Sie Staub im Inneren des Einsatzhalters regelmäßig durch Ausklopfen.

Umweltschutz



Getrennte Entsorgung. Produkte und Batterien, die mit diesem Symbol gekennzeichnet sind, dürfen nicht im normalen Hausmüll entsorgt werden.

Produkte und Akkus enthalten Materialien, die wiederverwertet werden können, um den Bedarf an Rohstoffen zu verringern. Bitte recyceln Sie elektrische Produkte und Akkus gemäß den örtlichen Bestimmungen. Weitere Informationen finden Sie auf www.2helpU.com

Technische Daten

BDCSFL20 H1		
Spannung	V _{DC}	3,6
Leerlaufdrehzahl	Min ⁻¹	180
Max. Drehmoment (PTI-Nennwert)	Nm	5,5
Akkutyp		Li-Ionen
Batteriekapazität	Ah	1,5
Gewicht	kg	0,35

9062787*-01		
Eingangsspannung	V _{AC}	100 - 240
Ausgangsspannung	V _{DC}	15
Stromstärke	mA	150
Ungefähre Ladezeit	Stunden	10

Schalldruckpegel gemäß EN 62841:
Schalldruck (L _{pa}) 53 dB(A), Unsicherheitsfaktor (K) 3 dB(A)
Schalleistung (L _{wa}) 64 dB(A), Unsicherheitsfaktor (K) 3 dB(A)

Gesamtvibration (Triax-Vektorsumme) gemäß EN 62841:
Schrauben ohne Schlagbohrfunktion (a _{n,ISO}) 0,3 m/s ² , Unsicherheitsfaktor (K) 1,5 m/s ²

EU-Konformitätserklärung MASCHINENRICHTLINIE



BDCSFL20 Schraubendreher mit Aufbewahrungsfach Black & Decker erklärt, dass die in den technischen Daten beschriebenen Geräte übereinstimmen mit: 2006/42/EC, EN62841-1:2015, EN62841-2-2:2014. Diese Produkte entsprechen außerdem den Richtlinien 2014/30/EU und 2011/65/EU.

Weitere Informationen erhalten Sie von Black & Decker unter der folgenden Adresse. Diese befindet sich auch auf der Rückseite dieser Anleitung.

Der Unterzeichnete ist verantwortlich für die Zusammenstellung der technischen Daten und gibt diese Erklärung im Namen von Black & Decker ab.

Ray Laverick
Director of Engineering
Black & Decker Europe, 210 Bath Road, Slough,
Berkshire, SL1 3YD
Vereinigtes Königreich
17/05/2017

Garantie

Black & Decker vertraut auf die Qualität der eigenen Geräte und bietet dem Käufer eine außergewöhnliche Garantie von 24 Monaten ab Kaufdatum. Diese Garantie versteht sich unbeschadet der gesetzlichen Gewährleistungsansprüche und schränkt diese keinesfalls ein. Diese Garantie gilt innerhalb der Staatsgebiete der Mitgliedstaaten der Europäischen Union und der Europäischen Freihandelszone.

Zur Inanspruchnahme dieser Garantie muss sie den allgemeinen Geschäftsbedingungen von Black & Decker entsprechen und dem Verkäufer bzw. der Vertragswerkstatt ist ein Kaufnachweis vorzulegen. Die Bedingungen für die 2-jährige Garantie von Black & Decker und den Standort Ihrer nächstgelegenen Vertragswerkstatt finden Sie im Internet unter www.2helpU.com oder indem Sie sich an die lokale Black & Decker-Niederlassung wenden, deren Adresse Sie in dieser Anleitung finden.

Ihr neues Black & Decker Produkt können Sie auf unserer Website unter www.blackanddecker.de registrieren. Dort erhalten Sie auch Informationen über neue Produkte und Sonderangebote.

Utilisation prévue

Votre tournevis BLACK+DECKER™ BDCSFL20 a été conçu pour visser des vis. Cet outil est destiné à un usage grand public uniquement.

Consignes de sécurité

Avertissement de sécurité générale concernant les outils électriques



Avertissement ! Lisez tous les avertissements et toutes les consignes de sécurité.

Le non-respect des avertissements et des instructions listés ci-dessous peut entraîner des chocs électriques, des incendies et/ou de graves blessures.

Conservez tous les avertissements et toutes les instructions afin de pouvoir vous y référer dans le futur. Le terme "outil électrique" mentionné dans tous les avertissements listés ci-dessous fait référence à vos outils électriques branchés sur secteur (avec câble) ou fonctionnant sur pile ou batterie (sans fil).

1. Sécurité de la zone de travail

- Maintenez la zone de travail propre et bien éclairée.** Les zones sombres ou encombrées sont propices aux accidents.
- N'utilisez pas d'outils électriques dans un environnement présentant des risques d'explosion ou en présence de liquides, gaz ou poussières inflammables.** Les outils électriques créent des étincelles qui peuvent enflammer les poussières et les fumées.
- Maintenez les enfants et autres personnes éloignés lorsque les outils électriques sont en marche.** Toute distraction peut vous faire perdre le contrôle de l'outil.

2. Sécurité électrique

- La prise des outils électriques doit correspondre à la prise de courant murale. Ne modifiez jamais la prise d'aucune sorte. N'utilisez aucun adaptateur avec des outils électriques reliés à la terre.** L'utilisation de prises d'origine et de prises murales appropriées permet de réduire le risque de choc électrique.

- Évitez tout contact physique avec des surfaces reliées à la terre comme des tuyaux, des radiateurs, des fours et des réfrigérateurs par exemple.** Le risque de choc électrique augmente lorsque votre corps est relié à la terre.
- N'exposez pas les outils électriques à la pluie, ni à l'humidité.** Le risque de choc électrique augmente si de l'eau pénètre dans un outil électrique.
- Ne tirez pas sur le cordon d'alimentation. N'utilisez jamais le cordon pour transporter, tirer ou débrancher l'outil électrique. Maintenez le cordon éloigné de la chaleur, de substances grasses, de bords tranchants ou de pièces mobiles.** Les cordons endommagés ou emmêlés augmentent le risque de choc électrique.
- Si vous utilisez un outil électrique à l'extérieur, utilisez une rallonge homologuée pour les travaux extérieurs.** L'utilisation d'une rallonge électrique homologuée pour les travaux en extérieur réduit le risque de choc électrique.
- Si l'utilisation d'un outil électrique dans un endroit humide est inévitable, utilisez une alimentation électrique protégée par un disjoncteur différentiel.** L'utilisation d'un disjoncteur différentiel réduit le risque de choc électrique.

3. Sécurité des personnes

- Restez vigilant, surveillez ce que vous faites et faites preuve de bon sens lorsque vous utilisez un outil électrique. N'utilisez pas d'outils électriques si vous êtes fatigué ou sous l'influence de drogue, d'alcool ou de médicaments.** Tout moment d'inattention pendant l'utilisation d'un outil électrique peut engendrer de graves blessures.
- Portez des équipements de protection individuelle. Portez toujours une protection oculaire.** Les équipements de protection comme les masques à poussière, les chaussures de sécurité antidérapantes, les casques ou les protections auditives utilisés à bon escient réduisent le risque de blessures.
- Empêchez tout démarrage par inadvertance. Assurez-vous que l'interrupteur est en position Arrêt avant de raccorder l'outil à l'alimentation électrique et/ou au bloc-batterie ou avant de ramasser ou de transporter l'outil.** Le fait de transporter les outils électriques le doigt sur l'interrupteur ou d'alimenter les outils électriques dont l'interrupteur est déjà en position de marche augmente les accidents.
- Retirez toutes les clés ou pinces de réglage avant de mettre l'outil en marche.** Une clé ou une pince restée fixée sur une pièce rotative de l'outil électrique peut engendrer des blessures.

- Ne présumez pas de vos forces. Gardez les pieds bien ancrés au sol et conservez votre équilibre en permanence.** Cela permet de mieux maîtriser l'outil électrique en cas de situations imprévues.
- Portez des vêtements appropriés. Ne portez aucun vêtement ample ou bijou. Gardez vos cheveux, vos vêtements et vos gants éloignés des pièces mobiles.** Les vêtements amples, les bijoux ou les cheveux longs peuvent être happés par les pièces mobiles.
- Si des dispositifs pour l'extraction des poussières ou des installations pour la récupération sont présents, assurez-vous qu'ils sont correctement raccordés et utilisés.** L'utilisation de dispositifs récupérateurs de poussières réduit les risques liés aux poussières.
- Ne pensez pas être si familiarisé avec l'outil après l'avoir utilisé à de nombreuses reprises, au point de ne plus rester vigilant et d'en oublier les consignes de sécurité.** Toute action imprudente peut engendrer de graves blessures en une fraction de seconde.

4. Utilisation et entretien des outils électriques

- Ne forcez pas sur l'outil électrique. Utilisez l'outil approprié en fonction du travail à réaliser.** Un outil adapté fonctionne mieux, de façon plus sûre et à la cadence pour laquelle il a été conçu.
- N'utilisez pas l'outil électrique si son interrupteur ne permet plus de le mettre en marche et de l'éteindre.** Tout outil électrique qui ne peut plus être commandé par son interrupteur est dangereux et doit être réparé.
- Débranchez la prise du secteur et/ou le bloc-batterie de l'outil électrique avant d'effectuer tout réglage, de changer un accessoire ou de ranger l'outil électrique.** Ces mesures de sécurité préventives réduisent le risque de démarrage accidentel de l'outil électrique.
- Rangez les outils électriques non utilisés hors de portée des enfants et ne laissez aucune personne ne connaissant pas ces outils ou leurs instructions d'utilisation les faire fonctionner.** Les outils électriques peuvent être dangereux entre des mains inexpérimentées.
- Entretenez vos outils électriques. Vérifiez que les pièces mobiles sont alignées correctement et qu'elles ne sont pas coincées. Vérifiez qu'il n'y a pas de pièces cassées ou toute autre condition qui pourrait nuire au bon fonctionnement de l'outil. En cas de dommage, faites réparer l'outil électrique avant utilisation.** De nombreux accidents sont provoqués par des outils électriques mal entretenus.
- Maintenez les organes de coupe affûtés et propres.** Des organes de coupe bien entretenus et affûtés sont moins susceptibles de rester coincés et sont plus faciles à contrôler.

- Utilisez les outils électriques, les accessoires et les embouts d'outil conformément à ces instructions, en tenant compte des conditions de travail, ainsi que du travail à effectuer.** L'utilisation d'un outil électrique à des fins autres que celles pour lesquelles il a été prévu engendre des situations dangereuses.
- Veillez à ce que les poignées et les surfaces de préhension soient sèches et propres, sans trace d'huile ou de graisse.** Des poignées glissantes et des surfaces grasses ne permettent pas de manipuler ou de contrôler l'outil de façon sûre en cas de situation inattendue.

5. Utilisation et entretien de la batterie de l'outil

- N'effectuez la recharge qu'à l'aide du chargeur spécifié par le fabricant.** Un chargeur adapté pour un type de bloc-batterie peut engendrer un risque d'incendie s'il est utilisé avec un bloc-batterie différent.
- N'utilisez les outils électriques qu'avec les blocs-batteries qui leurs sont dédiés.** L'utilisation d'un autre bloc-batterie peut engendrer des blessures et un incendie.
- Lorsque le bloc-batterie n'est pas utilisé, éloignez-le des objets en métal comme les trombones, les pièces de monnaies, les clés, les clous, les vis ou d'autres petits objets métalliques qui pourraient créer une liaison entre les deux bornes. La mise en court-circuit des bornes d'une batterie peut provoquer des brûlures ou un incendie.
- En cas d'utilisation abusive, du liquide peut être éjecté de la batterie. Évitez tout contact avec ce liquide. En cas de contact accidentel, rincez à l'eau. En cas de contact avec les yeux, consultez un médecin.** Le liquide projeté de la batterie peut provoquer des irritations ou des brûlures.
- N'utilisez pas un bloc-batterie ou un outil endommagé ou modifié.** Une batterie endommagée ou altérée peut avoir un comportement imprévisible qui peut conduire à un incendie, une explosion ou un risque de blessure.
- N'exposez pas le bloc-batterie ou l'outil au feu ou à des températures excessives.** L'exposition au feu ou à des températures dépassant 265°F peut provoquer une explosion.
- Respectez les instructions de charge et ne rechargez pas le bloc-batterie ou l'outil à une plage de températures hors de celle spécifiée dans les instructions.** Une charge mal effectuée ou à des températures hors de la plage spécifiée peut endommager la batterie et augmenter le risque d'incendie.

6. Réparation

- Faites réparer votre outil électrique par une personne qualifiée, n'utilisant que des pièces de rechange d'origine.** Cela permet de garantir la sûreté de l'outil électrique.

b. Ne réparez jamais des blocs-batteries endommagés.

Les réparations sur les blocs-batteries ne doivent être effectuées que le fabricant ou l'un de ses prestataires de services agréés.

Consignes de sécurité supplémentaires concernant les outils électriques

Avertissement ! Avertissements de sécurité supplémentaires concernant les visseuses et les clés à chocs

- ◆ **Tenez l'outil électrique par les surfaces isolées prévues à cet effet si pendant son utilisation l'élément de fixation peut entrer en contact avec des fils électriques cachés.** Tout contact du dispositif de fixation avec un fil sous tension peut mettre les parties métalliques exposées de l'outil sous tension et provoquer un choc électrique à l'utilisateur.
- ◆ **Utilisez des pinces ou tout autre moyen pratique pour fixer et soutenir l'ouvrage sur une plateforme stable.** Tenir l'ouvrage à la main ou contre votre corps le rend instable et peut conduire à une perte de contrôle.
- ◆ L'usage prévu est décrit dans ce manuel d'utilisation. L'utilisation d'un accessoire ou d'une fraise non spécifié ou l'utilisation de cet outil à d'autres fins que celles recommandées dans ce manuel d'utilisation présentent un risque de blessures et/ou de dommages matériels.

Sécurité des personnes

- ◆ Ne laissez jamais les enfants et les personnes aux capacités physiques sensorielles ou mentales déficientes ou manquant d'expérience ou de connaissances ou les personnes non familiarisées avec ces instructions, utiliser la machine. La réglementation locale peut limiter l'âge de l'utilisateur.
- ◆ Ne faites jamais fonctionner la machine si des personnes, et particulièrement des enfants, ou des animaux sont à proximité.

Consignes de sécurité supplémentaires concernant les outils électriques

Avertissement ! Instructions de sécurité supplémentaires pour lampes torches

- ◆ Ne tentez jamais de retirer ou de remplacer des pièces autres que celles spécifiées dans ce manuel.
- ◆ Ne la faites jamais fonctionner sans la lentille ou si celle-ci est endommagée.
- ◆ Ne regardez jamais directement la lumière. Ne l'orientez jamais vers les yeux d'une autre personne.



Avertissement ! Risque d'incendie. Ne pas utiliser la lampe torche ou le chargeur à proximité de liquides inflammables ou dans des atmosphères gazeuses ou explosives. Des étincelles pourraient enflammer les fumées et provoquer des blessures.

- ◆ Ne placez pas la lampe ou le chargeur dans des lieux mouillés ou humides. N'exposez pas la lampe ou le chargeur à la pluie ou à la neige.
- ◆ Ne lavez pas la lampe ou le chargeur à l'eau et ne laissez pas d'eau pénétrer à l'intérieur de la lampe ou du chargeur. Ne plongez jamais la lampe dans l'eau.



Attention ! Lorsqu'il n'est pas utilisé, posez l'outil sur sa tranche, sur une surface stable, d'où il ne pourra faire tomber ou trébucher personne. Certains outils équipés d'un gros bloc batterie peuvent tenir à la verticale sur celui-ci, mais manquent alors de stabilité.

- ◆ Ne regardez pas directement le faisceau lumineux avec des instruments optiques.

Risques résiduels

Certains risques résiduels autres que ceux mentionnés dans les avertissements sur la sécurité peuvent survenir en utilisant l'outil. Ces risques peuvent être provoqués par une utilisation incorrecte, prolongée, etc.

Malgré l'application des normes de sécurité pertinentes et la mise en œuvre de dispositifs de sécurité, certains risques résiduels ne peuvent pas être évités. Ils comprennent :

- ◆ Les blessures dues au contact avec des pièces rotatives/mobiles.
- ◆ Les blessures dues au remplacement de pièces, de lames ou d'accessoires.
- ◆ Les blessures dues à l'utilisation prolongée d'un outil. Lorsqu'un outil est utilisé pendant de longues périodes, assurez-vous de faire des pauses régulières.
- ◆ La diminution de l'acuité auditive.
- ◆ Les risques pour la santé provoqués par l'inhalation des poussières générées pendant l'utilisation de votre outil (exemple : travail avec du bois, surtout le chêne, le hêtre et les panneaux en MDF).

Vibrations

La valeur des émissions de vibrations déclarée dans les caractéristiques techniques et la déclaration de conformité a été mesurée conformément à la méthode de test normalisée établie par la norme EN62841 et peut être utilisée pour comparer un outil à un autre. La valeur des émissions de vibrations déclarée peut aussi être utilisée pour une évaluation préliminaire à l'exposition.

Avertissement ! En fonction de la manière dont l'outil est utilisé, la valeur des émissions de vibrations réelles pendant

l'utilisation de l'outil peut différer de la valeur déclarée. Le niveau des vibrations peut dépasser le niveau déclaré. Quand l'exposition aux vibrations est évaluée afin de déterminer les mesures de sécurité requises par la norme 2002/44/CE pour protéger les personnes utilisant régulièrement des outils électriques, cette estimation doit tenir compte des conditions réelles d'utilisation et de la façon dont l'outil est utilisé. Il faut également tenir compte de toutes les composantes du cycle de fonctionnement comme la durée pendant laquelle l'outil est arrêté et quand il fonctionne au ralenti, ainsi que la durée du déclenchement.

Étiquettes sur l'outil

Les pictogrammes suivants ainsi que le code date sont apposés sur l'outil :



Avertissement ! Afin de réduire le risque de blessures, l'utilisateur doit lire le manuel d'utilisation.

Consignes de sécurité supplémentaires relatives aux batteries et chargeurs**Batteries**

- ◆ Ne tentez jamais de les ouvrir sous aucun prétexte.
- ◆ N'exposez pas les batteries/piles à l'eau.
- ◆ Ne la stockez pas dans des endroits où la température peut dépasser 40 °C.
- ◆ Ne les rechargez qu'à une température ambiante comprise entre 10 °C et 40 °C.
- ◆ Ne rechargez qu'à l'aide du chargeur fourni avec l'outil.
- ◆ Lors de la mise au rebut des batteries, respectez les instructions données dans la section « Protection de l'environnement ».



N'essayez pas de recharger des batteries endommagées.

Chargeurs

- ◆ N'utilisez votre chargeur BLACK+DECKER que pour recharger la batterie fournie avec l'appareil/outil. D'autres batteries pourraient exploser et provoquer des blessures et des dommages.
- ◆ Ne tentez jamais de recharger des piles non rechargeables.
- ◆ Faites immédiatement remplacer les cordons endommagés.
- ◆ N'exposez pas le chargeur à l'eau.
- ◆ N'ouvrez pas le chargeur.
- ◆ Ne testez pas le chargeur.



Le chargeur est conçu pour être exclusivement utilisé à l'intérieur.



Lisez le manuel d'utilisation avant de l'utiliser.

Sécurité électrique

Votre chargeur dispose d'une double isolation ; aucun fil de terre n'est donc nécessaire. Vérifiez toujours que la tension du réseau électrique correspond à la tension figurant sur la plaque signalétique. N'essayez jamais de remplacer le module de charge par une prise secteur ordinaire.

- ◆ Si le câble d'alimentation est endommagé, il doit être remplacé par le fabricant ou par un centre d'assistance agréé BLACK+DECKER afin d'éviter tout risque.

Caractéristiques

Cet outil dispose de tout ou partie des éléments suivants.

1. Déclencheur marche/arrêt
2. Curseur de réglage du sens de rotation avant/arrière
3. Porte-embout
4. Bouton de réglage du manche
5. Manche
6. Prise du chargeur
7. Lampe torche
8. Bouton de la lampe torche

Recharger l'outil (Fig. A)

La batterie doit être rechargée avant la première utilisation et chaque fois qu'elle n'apporte plus assez de puissance pour les travaux réalisés sans peine auparavant. La batterie peut chauffer pendant la charge. Ce phénomène est normal et n'indique pas un problème.

Avertissement ! N'utilisez que le chargeur fourni pour charger l'outil.

- ◆ Pour charger la batterie, insérez la prise du chargeur (6a) dans le connecteur (6).
- ◆ Branchez le chargeur.
- ◆ Laissez l'outil branché au chargeur pendant 10 heures.

Le chargeur peut ronronner et chauffer pendant la charge. Ceci est un phénomène normal qui ne présente aucun problème.

Avertissement ! Ne rechargez pas la batterie à une température ambiante inférieure à 10°C ou supérieure à 40°C. La température de charge recommandée est d'environ 24°C.

Mise en place et retrait d'un foret ou d'un embout (figure B)

Avertissement ! Assurez-vous que l'outil est verrouillé pour éviter le déclenchement de l'interrupteur avant l'installation ou le retrait des accessoires.

- ◆ Pour installer un embout de tournevis (9), poussez-le dans le porte-embout (3) jusqu'à ce qu'il soit positionné.
- ◆ Pour retirer un embout, tirez-le tout droit hors du porte-embout.

Utilisation

Avvertissement ! Laissez l'outil fonctionner à son propre rythme. Ne le poussez pas au-delà de sa capacité.

Utilisation de la lampe torche (Fig. C)

- ◆ Pour allumer la lampe (7), appuyez sur le bouton de la lampe torche (8).
- ◆ Appuyez à nouveau sur le bouton de la lampe torche (8), pour éteindre la lampe (7).

Allumage et extinction (Fig. D)

- ◆ Pour faire fonctionner l'outil, appuyez sur la gâchette (1) et maintenez-la enfoncée.
- ◆ Pour arrêter l'outil, relâchez la gâchette (1).

Sélectionner le sens de rotation (Fig. E)

Pour visser des bis et percer des trous de guidage, utilisez le sens de rotation avant (sens des aiguilles d'une montre). Pour desserrer des vis ou retirer un foret coincé, utilisez le sens de rotation arrière (sens inverse des aiguilles d'une montre).

- ◆ Pour sélectionner le sens de rotation avant, poussez le curseur de réglage du sens de rotation (2) vers la droite.
- ◆ Pour sélectionner le sens de rotation arrière, poussez le curseur de réglage du sens de rotation (2) vers la gauche.
- ◆ Pour verrouiller l'outil, placez le curseur de réglage de sens de rotation (2) en position centrale.

Réglage de la poignée (fig. F)

Trois positions de pivotement sont proposées (5) pour une plus grande souplesse d'utilisation.

- ◆ Appuyez sur le bouton de réglage de la poignée (4).
- ◆ Déplacez la semelle (5) à la position voulue.
- ◆ Appuyez sur le bouton de réglage de la poignée (4).

Maintenance

Votre outil BLACK+DECKER a été conçu pour fonctionner pendant longtemps avec un minimum d'entretien. Le fonctionnement continu et satisfaisant de l'appareil dépend de son bon entretien et de son nettoyage régulier.

Votre chargeur ne nécessite aucun entretien particulier, à l'exception d'un nettoyage régulier.

Avvertissement ! Avant d'entretenir l'outil, retirez la batterie. Débranchez le chargeur avant de le nettoyer.

- ◆ Nettoyez régulièrement les fentes d'aération de votre outil et du chargeur à l'aide d'une brosse souple ou d'un chiffon sec.
- ◆ Nettoyez régulièrement le carter moteur à l'aide d'un chiffon humide. N'utilisez pas de détergents abrasifs ou à base de solvants.
- ◆ Tapotez régulièrement le porte-embout pour en retirer toute la poussière à l'intérieur.

Protection de l'environnement



Tri sélectif. Les produits et batteries marqués de ce symbole ne doivent pas être jetés avec les déchets ménagers.

Les produits et batteries contiennent des matières qui peuvent être récupérées et recyclées afin de réduire la demande en matières premières.

Veillez à recycler les produits électriques et les piles et batteries conformément aux dispositions locales en vigueur. Plus d'informations sont disponibles sur le site www.2helpU.com

Données techniques

BDCSFL20 H1		
Tension	V _{cc}	3,6
Vitesse à vide	Min ⁻¹	180
Couple maxi (Classement PTI)	Nm	5,5
Type de batterie		Li-Ion
Capacité de batterie	Ah	1,5
Poids	kg	0,35

9062787*-01		
Tension d'entrée	V _{ca}	100 - 240
Tension de sortie	V _{cc}	15
Courant	mA	150
Durée de charge approximative	Heures	10

Niveau de pression sonore selon la norme EN 62841 :		
Pression sonore (L _{pa})	53 dB(A), incertitude (K) 3 dB(A)	
Puissance sonore (L _{wa})	64 dB(A), incertitude (K) 3 dB(A)	

Valeurs totales des vibrations (somme vectorielle triaxiale) selon la norme EN 62841 :		
Vissage sans percussion (a _{h,iso})	0,3 m/s ² , incertitude (K) 1,5 m/s ²	

Déclaration de conformité CE DIRECTIVES MACHINES



Tournevis avec rangement BDCSFL20
Black & Decker déclare que les produits décrits dans les «Caractéristiques techniques» sont conformes aux normes : 2006/42/CE, EN62841-1:2015, EN62841-2:2014.

Ces produits sont également conformes aux Directives 2014/30/UE et 2011/65/UE.

Pour plus de détails, veuillez contacter Black & Decker à l'adresse suivante ou consultez la dernière page du manuel. Le soussigné est responsable de la compilation des données de la fiche technique et fait cette déclaration au nom de Black & Decker.

Ray Laverick
Directeur Ingénierie
Black & Decker Europe, 210 Bath Road, Slough,
Berkshire, SL1 3YD
Royaume-Uni
17/05/2017

Garantie

Black & Decker assure la qualité de ses produits et offre une garantie de 24 mois aux utilisateurs, à partir de la date d'achat. Cette garantie s'ajoute à vos droits légaux auxquels elle ne porte aucunement préjudice. Cette garantie est valable au sein des territoires des États membres de l'Union Européenne et au sein de la Zone européenne de libre-échange.

Pour prétendre à la garantie, la réclamation doit être en conformité avec les conditions générales de Black & Decker et vous devez fournir une preuve d'achat au vendeur ou au réparateur agréé. Les conditions générales de la garantie de 2 ans Black & Decker ainsi que l'adresse du réparateur agréé le plus proche sont disponibles sur le site Internet www.2helpU.com ou en contactant votre agence Black & Decker locale à l'adresse indiquée dans ce manuel.

Veillez consulter notre site Internet www.blackanddecker.co.uk pour enregistrer votre nouveau produit Black & Decker et pour être tenu informé des nouveaux produits et offres spéciales.

Uso previsto

L'avvitatore BLACK+DECKER™ BDCSFL20 è stato progettato per avvitare. Questo elettroscopio è destinato esclusivamente all'uso privato.

Istruzioni di sicurezza

Avvertenze di sicurezza generali per gli elettroscopii



Avvertenza! Leggere attentamente tutte le avvertenze e le istruzioni di sicurezza. La mancata osservanza delle presenti avvertenze e istruzioni potrebbe causare scosse elettriche, incendi e/o infortuni gravi.

Conservare tutte le avvertenze e le istruzioni per consultazioni future. Il termine "elettroscopio" che ricorre in tutte le avvertenze seguenti si riferisce a utensili elettrici alimentati tramite la rete elettrica (con filo) o alimentati a batteria (senza filo).

- 1. Sicurezza nell'area di lavoro**
 - a. Mantenere pulita e bene illuminata l'area di lavoro.** Gli ambienti disordinati o scarsamente illuminati favoriscono gli incidenti.
 - b. Evitare di usare gli elettroscopii in ambienti esposti a rischio di esplosione, ad esempio in presenza di liquidi, gas o polveri infiammabili.** Gli elettroscopii generano scintille che possono incendiare le polveri o i fumi.
 - c. Tenere lontani bambini e altre persone presenti mentre si usa un elettroscopio.** Le distrazioni possono provocare la perdita di controllo.
- 2. Sicurezza elettrica**
 - a. Le spine elettriche degli elettroscopii devono essere adatte alla presa di corrente. Non modificare la spina in alcun modo. Non utilizzare spine con adattatore con gli elettroscopii dotati di messa a terra.** Per ridurre il rischio di scossa elettrica evitare di modificare le spine e utilizzare sempre le prese di corrente appropriate.
 - b. Evitare il contatto fisico con superfici collegate a terra, quali tubi, radiatori, forni e frigoriferi.** Se il proprio corpo è collegato a terra, il rischio di scossa elettrica aumenta.
 - c. Custodire gli elettroscopii al riparo dalla pioggia o dall'umidità.** Se penetra dell'acqua all'interno dell'elettroscopio, il rischio di scosse elettriche aumenta.
 - d. Non utilizzare il cavo di alimentazione in modo improprio. Non spostare, tirare o scollegare mai l'elettroscopio tirandolo dal cavo. Tenere il cavo di alimentazione lontano da fonti di calore, olio, bordi taglienti o parti in movimento.** Se il cavo di alimentazione è danneggiato o impigliato, il rischio di scossa elettrica aumenta.
 - e. Se l'elettroscopio viene utilizzato all'aperto, usare esclusivamente prolunghie omologate per l'impiego all'esterno.** L'uso di un cavo di alimentazione adatto ad ambienti esterni riduce il rischio di scossa elettrica.
 - f. Se non è possibile evitare di lavorare in una zona umida, collegarsi a una rete elettrica protetta da un interruttore differenziale (RCD).** L'uso di un interruttore differenziale riduce il rischio di scossa elettrica.
- 3. Sicurezza delle persone**
 - a. È importante rimanere concentrati su ciò che si sta facendo e maneggiare l'elettroscopio con giudizio. Non utilizzare un elettroscopio quando si è stanchi o**

- sotto l'effetto di droghe, alcool o medicinali. Un solo attimo di distrazione durante l'uso di tali apparati potrebbe provocare gravi lesioni personali.
- b. **Usare i dispositivi di protezione individuale. Indossare sempre dispositivi di sicurezza per gli occhi.** L'uso di dispositivi di protezione, quali mascherine antipolvere, scarpe antinfortunistiche antiscivolo, elmetti o protezioni auricolari in condizioni opportune consente di ridurre le lesioni personali.
- c. **Impedire l'avviamento involontario. Accertarsi che l'interruttore di accensione sia in posizione "spento", prima di collegare l'elettrotensile alla rete elettrica e/o alla batteria, di prenderlo in mano o di trasportarlo.** Per non esporsi al rischio di incidenti, non trasportare l'elettrotensile tenendo le dita sull'interruttore e non collegarlo a una fonte di alimentazione elettrica con l'interruttore acceso.
- d. **Prima di accendere un elettrotensile, rimuovere gli utensili di regolazione o le chiavi eventualmente presenti.** Un utensile di regolazione o una chiave fissati su una parte rotante dell'elettrotensile può provocare lesioni a persone.
- e. **Non sbilanciarsi. Mantenere sempre un appoggio e un equilibrio adeguati.** In tal modo è possibile mantenere un migliore controllo dell'elettrotensile nelle situazioni impreviste.
- f. **Vestirsi adeguatamente. Non indossare abiti lenti o gioielli. Tenere i capelli, i vestiti e i guanti lontano dalle parti mobili.** Abiti larghi, gioielli o capelli lunghi possono impigliarsi nelle parti in movimento.
- g. **Se gli elettrotensili sono provvisti di attacchi per il collegamento di dispositivi di aspirazione o di raccolta della polvere, assicurarsi che questi siano installati e utilizzati correttamente.** La raccolta della polvere può ridurre i pericoli legati a quest'ultima.
- h. **Non lasciare che la familiarità acquisita dall'uso frequente degli utensili induca a cedere alla tentazione di ignorare i principi di utilizzo sicuro degli stessi.** Un'azione imprudente potrebbe provocare lesioni gravi in una frazione di secondo.
4. **Uso e cura dell'elettrotensile**
- a. **Non sovraccaricare l'elettrotensile. Utilizzare l'elettrotensile adatto per il lavoro da eseguire.** L'elettrotensile corretto funzionerà meglio e in modo più sicuro, se utilizzato alla velocità per cui è stato progettato.
- b. **Non utilizzare elettrotensili con interruttori difettosi.** Qualsiasi elettrotensile che non possa essere controllato tramite l'interruttore è pericoloso e deve essere riparato.
- c. **Scollegare la spina dalla presa di corrente e/o la batteria dall'elettrotensile prima di regolarlo, sostituirne gli accessori o di riporlo.** Queste misure di
- sicurezza preventive riducono il rischio di azionare accidentalmente l'elettrotensile.
- d. **Quando non vengono usati, gli elettrotensili devono essere custoditi fuori dalla portata dei bambini. Non consentire l'uso dell'elettrotensile a persone inesperte o che non abbiano letto le presenti istruzioni.** Gli elettrotensili sono pericolosi in mano a persone inesperte.
- e. **Sottoporre gli elettrotensili a regolare manutenzione. Verificare che le parti mobili siano correttamente allineate e non inceppate, che non vi siano componenti rotti e che non sussistano altre condizioni che possono compromettere il funzionamento dell'elettrotensile. Se danneggiato, far riparare l'elettrotensile prima dell'uso.** Molti incidenti sono provocati da elettrotensili non sottoposti a corretta manutenzione.
- f. **Mantenere affilati e puliti gli strumenti da taglio.** La manutenzione corretta degli utensili da taglio con bordi affilati riduce le probabilità di inceppamento e ne facilita il controllo.
- g. **Utilizzare l'elettrotensile, gli accessori e le punte in conformità alle presenti istruzioni, tenendo conto delle condizioni di lavoro e del lavoro da completare.** L'utilizzo dell'elettrotensile per impieghi diversi da quelli previsti può dare luogo a situazioni di pericolo.
- h. **Mantenere le impugnature e le superfici di presa asciutte, pulite e senza tracce di olio o grasso.** Impugnature e superfici di presa scivolose non consentono di maneggiare e controllare in modo sicuro l'utensile nel caso di imprevisti.
5. **Uso e cura degli elettrotensili a batteria**
- a. **Ricaricare la batteria dell'elettrotensile utilizzando esclusivamente il caricabatterie specificato dal fabbricante.** Un caricabatterie adatto per un solo tipo di batteria può comportare il rischio d'incendio se usato con una batteria diversa.
- b. **Usare gli elettrotensili con le apposite batterie.** L'impiego di batterie di tipo diverso potrebbe provocare il rischio di lesioni a persone e incendi.
- c. **Quando la batteria non viene usata, tenerla lontano da altri oggetti metallici tipo graffette, monete, chiavi, chiodi, viti o altri oggetti metallici di piccole dimensioni, che potrebbero cortocircuitare un morsetto con l'altro.** Se i morsetti della batteria vengono cortocircuitati potrebbero provocare ustioni o un incendio.
- d. **In condizioni di sovraccarico, le batterie possono perdere liquido: evitare di toccarlo. In caso di contatto accidentale, risciacquare la pelle con acqua. Se il liquido entra a contatto con gli occhi, consultare un**

- medico.** Il liquido che fuoriesce dalla batteria può causare irritazioni o ustioni.
- e. **Non utilizzare una batteria o un utensile danneggiati o modificati.** Le batterie danneggiate o modificate potrebbero manifestare un comportamento imprevedibile con la possibilità di causare un'esplosione o un incendio.
- f. **Non esporre una batteria o un utensile al fuoco o a temperature eccessivamente elevate.** L'esposizione al fuoco o a una temperatura superiore a 130°C potrebbe provocare un'esplosione.
- g. **Seguire tutte le istruzioni per la carica e non caricare la batteria o l'elettrotensile a una temperatura che non rientri nell'intervallo di valori specificato, potrebbe danneggiare la batteria aumentando il rischio d'incendio.**
6. **Assistenza**
- a. **Fare riparare l'elettrotensile esclusivamente da personale specializzato e utilizzando esclusivamente ricambi originali.** In questo modo sarà possibile mantenere la sicurezza dell'elettrotensile.
- b. **Non riparare le batterie danneggiate.** Gli interventi di riparazione sulle batterie devono essere eseguiti dal costruttore o da fornitori di assistenza autorizzati.

Altre avvertenze di sicurezza riguardanti gli elettrotensili



Avvertenza! Addizionali avvisi di sicurezza per gli avvitatori e le chiavi battenti

- ◆ **Sostenere l'avvitatore con supporti dotati di superfici isolanti quando si eseguono lavori in cui la parte tagliente potrebbe toccare cavi elettrici nascosti o il cavo di alimentazione dell'elettrotensile.** I dispositivi di fissaggio che vengono a contatto con un cavo sotto tensione trasmettono la corrente elettrica anche alle parti metalliche esposte dell'elettrotensile e possono provocare la folgorazione dell'operatore.
- ◆ **Usare morse o altri metodi pratici per fissare e bloccare il pezzo da lavorare ad una piattaforma stabile.** Tenere il pezzo da lavorare con le mani o contro il corpo non ne assicura la stabilità e potrebbe comportare la perdita di controllo.
- ◆ L'utilizzo previsto è indicato nel presente manuale. Se questo elettrotensile viene impiegato con accessori o per usi diversi da quelli raccomandati nel presente manuale, potrebbero verificarsi lesioni personali e/o danni alle cose.

Sicurezza altrui

- ◆ Non permettere mai di utilizzare l'elettrotensile a bambini, persone con capacità fisiche, sensoriali o mentali ridotte, mancanza di esperienza e di conoscenze o che non abbiano familiarità con le presenti istruzioni d'uso. Le normative locali potrebbero limitare l'età dell'operatore.
- ◆ Non usare mai l'elettrotensile se ci sono persone (in particolare bambini) o animali domestici nelle vicinanze.

Altre avvertenze di sicurezza riguardanti gli elettrotensili



Avvertenza! Altre avvertenze di sicurezza riguardanti le torce

- ◆ Non tentare mai di smontare o sostituire delle parti, ad eccezione di quelle specificate nel presente manuale.
- ◆ Non usare la torcia senza lente o se la lente è danneggiata.
- ◆ Non fissare mai direttamente la luce e non puntare mai il fascio luminoso negli occhi di un'altra persona.



Avvertenza! Pericolo d'incendio. Non utilizzare la torcia o il caricabatteria in prossimità di liquidi infiammabili o in atmosfere esplosive o sature di gas. Le scintille interne possono innescare la combustione delle emissioni, provocando infortuni.

- ◆ Non esporre la torcia o il caricabatterie all'umidità. Non esporre la torcia o il caricabatteria a pioggia e neve.
- ◆ Non lavare la torcia o il caricabatterie con acqua ed evitare che penetri acqua nella torcia o nel caricabatterie. Non immergere la torcia in acqua.



Attenzione! Quando non è in uso, appoggiare l'elettrotensile su un fianco su una superficie stabile, dove non vi sia rischio di inciampare o di cadere. Alcuni utensili che utilizzano batterie di grandi dimensioni possono rimanere in piedi poggiando sul pacco batteria, ma potrebbero cadere facilmente.

- ◆ Non usare attrezzi ottici per osservare direttamente verso la fonte luminosa.

Rischi residui

L'utilizzo dell'elettrotensile può comportare rischi residui non necessariamente riportati nelle presenti avvertenze di sicurezza. Tali rischi possono sorgere a seguito di un uso prolungato o improprio, ecc.

Malgrado il rispetto delle norme di sicurezza pertinenti e l'implementazione di dispositivi di sicurezza, alcuni rischi residui non possono essere evitati. Sono inclusi:

- ◆ lesioni causate o subite a seguito del contatto con parti rotanti/in movimento;

- ◆ lesioni causate o subite durante la sostituzione di parti, lame o accessori;
- ◆ lesioni causate dall'impiego prolungato di un elettrotensile (quando si utilizza qualsiasi elettrotensile per lunghi periodi, accertarsi di fare regolarmente delle pause);
- ◆ menomazioni uditive;
- ◆ Rischi per la salute causati dall'aspirazione di polvere generata dall'utilizzo dell'elettrotensile (ad esempio quando si lavora con il legno, in modo particolare quello di quercia, faggio o l'MDF)

Vibrazioni

I valori dichiarati delle emissioni di vibrazioni, indicati nei dati tecnici e nella dichiarazione di conformità del presente manuale, sono stati misurati in base al metodo di test standard previsto dalla normativa EN62841 e possono essere usati come paragone tra un attrezzo e un altro. Il valore delle emissioni di vibrazioni dichiarato può anche essere usato come valutazione preliminare dell'esposizione.

Avvertenza! Il valore delle emissioni di vibrazioni durante l'impiego effettivo dell'elettrotensile può variare da quello dichiarato a seconda delle modalità d'uso. Il livello delle vibrazioni può aumentare oltre quello dichiarato.

Quando si valuta l'esposizione alle vibrazioni per determinare le misure di sicurezza richieste dalla normativa 2002/44/CE destinata alla protezione delle persone che utilizzano regolarmente elettrotensili per lo svolgimento delle proprie mansioni, è necessario prendere in considerazione le condizioni effettive di utilizzo e il modo in cui l'elettrotensile viene usato, oltre che tenere conto di tutte le componenti del ciclo operativo, vale a dire i periodi in cui l'elettrotensile rimane spento, quelli in cui è acceso ma fermo e quelli in cui viene effettivamente utilizzato.

Etichette sull'elettrotensile

Sull'elettrotensile compaiono i seguenti pittogrammi:



Avvertenza! Per ridurre il rischio di lesioni personali, l'operatore deve leggere il manuale d'istruzioni.

Istruzioni di sicurezza aggiuntive riguardanti batterie e caricabatterie

Batterie

- ◆ Non tentare mai di aprire le batterie per alcun motivo.
- ◆ Non lasciare che la batteria si bagni.
- ◆ Non conservare le batterie in luoghi dove la temperatura potrebbe superare 40 °C.
- ◆ Caricare la batteria solo in ambienti con temperature comprese tra 10°C e 40°C.
- ◆ Caricare la batteria utilizzando esclusivamente il caricabatterie fornito con l'elettrotensile.

- ◆ Quando si smaltiscono le batterie, seguire le istruzioni riportate al capitolo "Protezione dell'ambiente".



Non tentare di caricare batterie danneggiate.

Caricabatterie

- ◆ Usare l'alimentatore BLACK+DECKER solo per caricare la batteria nell'apparecchio con il quale è stato fornito. Altre batterie potrebbero scoppiare causando lesioni alle persone e danni alle cose.
- ◆ Non tentare mai di caricare batterie non ricaricabili.
- ◆ Fare sostituire immediatamente i fili di alimentazione difettosi.
- ◆ Non lasciare che il caricabatterie si bagni.
- ◆ Non aprire il caricabatterie.
- ◆ Non collegare il caricabatterie a sonde.



Il caricabatterie è destinato all'uso in ambienti chiusi.



Leggere il presente manuale d'uso prima dell'impiego.

Sicurezza elettrica



Il doppio isolamento di cui è provvisto il caricabatterie rende superfluo il filo di terra. Controllare sempre che la tensione di rete corrisponda a quella indicata sulla targhetta dei dati tecnici. Non tentare mai di sostituire il caricabatterie con una spina elettrica tradizionale.

- ◆ In caso di danneggiamento del cavo di alimentazione, è necessario farlo riparare dal fabbricante o presso un centro assistenza BLACK+DECKER autorizzato in modo da evitare eventuali pericoli.

Caratteristiche

Questo elettrotensile presenta alcune o tutte le seguenti caratteristiche.

1. Interruttore a grilletto
2. Corsore per controllo rotazione avanti/indietro
3. Portapunte
4. Pulsante di regolazione impugnatura
5. Impugnatura
6. Connettore caricabatterie
7. Torcia
8. Interruttore torcia

Ricarica dell'elettrotensile (Fig. A)

La batteria deve essere caricata prima dell'impiego iniziale e quando non eroga una potenza sufficiente per lavori che prima era possibile eseguire facilmente. Durante la carica,

il pacco batteria potrebbe riscaldarsi. Si tratta di un fatto normale che non indica che vi è un problema.

Avvertenza! Caricare la batteria utilizzando esclusivamente il caricabatterie fornito con l'elettrotensile.

- ◆ Per ricaricare la batteria, infilare lo spinotto dell'alimentatore (6a) nel connettore (6).
- ◆ Collegare l'alimentatore.
- ◆ Lasciare l'elettrotensile collegato all'alimentatore per 10 ore.

Durante la ricarica, il caricabatterie potrebbe riscaldarsi. Si tratta di un fatto normale che non indica che vi è un problema.

Avvertenza! Non caricare la batteria a temperature ambientali inferiori a 10°C o superiori a 40°C. La temperatura di carica consigliata è di circa 24°C.

Montaggio e rimozione di una punta di cacciavite o di una bussola (Fig. B)

Avvertenza! Verificare che l'elettrotensile sia bloccato per evitare l'azionamento dell'interruttore prima dell'installazione o rimozione degli accessori.

- ◆ Per montare una punta di cacciavite (9), premerla nel portapunta (3) fino a quando si insedia.
- ◆ Per rimuovere una punta di cacciavite, estrarla direttamente dal portapunta.

Utilizzo

Avvertenza! Lasciare che l'elettrotensile funzioni al suo ritmo. Non sovraccaricarlo.

Utilizzo della torcia (Fig.C)

- ◆ Premere l'interruttore (8) per accendere la torcia (7).
- ◆ Premere l'interruttore (8) per accendere la torcia (7).

Accensione e spegnimento (Fig. D)

- ◆ Per accendere l'elettrotensile, premere e tenere premuto l'interruttore a grilletto (1).
- ◆ Per spegnere l'elettrotensile, rilasciare l'interruttore a grilletto (1).

Selezione della direzione di rotazione (Fig. E)

Per avvistare e praticare fori di guida usare la rotazione in avanti (senso orario). Per allentare le viti o per rimuovere punte da trapano incastrate, usare la rotazione indietro (senso antiorario).

- ◆ Per selezionare la rotazione avanti, spingere il cursore avanti/indietro (2) verso destra.
- ◆ Per selezionare la rotazione indietro, spingere il cursore avanti/indietro (2) verso sinistra.
- ◆ Per bloccare l'elettrotensile, riportare il cursore avanti/indietro (2) nella posizione centrale.

Regolazione dell'impugnatura (fig. F)

Per offrire la massima versatilità, l'impugnatura (5) può essere inclinata in tre posizioni diverse.

- ◆ Premere il pulsante di regolazione dell'impugnatura (4).
- ◆ Spostare il piedino di scorrimento lama (5) nella posizione desiderata.
- ◆ Premere il pulsante di regolazione dell'impugnatura (4).

Manutenzione

Questo elettrotensile BLACK+DECKER è stato progettato per funzionare a lungo con una manutenzione minima. Prestazioni sempre soddisfacenti dipendono da una cura appropriata e da una pulizia regolare.

Il caricabatterie non richiede nessuna manutenzione, salvo una regolare pulitura.

Avvertenza! Prima di eseguire interventi di manutenzione sull'elettrotensile, estrarre la batteria. Scollegare l'alimentatore dalla spina prima di pulirlo.

- ◆ Pulire regolarmente le prese di ventilazione dell'elettrotensile e dell'alimentatore con un pennello o con un panno morbido e asciutto.
- ◆ Il vano del motore deve essere pulito regolarmente con un panno umido. Non usare materiali abrasivi o detergenti a base di solventi.
- ◆ Picchiettare regolarmente il portapunte per rimuovere la polvere eventualmente presente dall'interno.

Protezione dell'ambiente



Raccolta differenziata. I prodotti e le batterie contrassegnati con questo simbolo devono essere smaltiti con i rifiuti domestici normali.

Essi contengono materiali che possono essere recuperati o riciclati riducendo la richiesta di materie prime. Riciclare i prodotti elettrici e le batterie secondo le disposizioni locali. Ulteriori informazioni sono disponibili all'indirizzo www.2helpU.com

Dati tecnici

		BDCSFL20 H1
Tensione	V _{dc}	3,6
Velocità a vuoto	Min ⁻¹	180
Coppia max. (Classificazione PTI)	Nm	5,5
Tipo batterie		Agli ioni di litio
Capacità batteria	Ah	1,5
Peso	kg	0,35

Caricabatterie		9062787*-01
Tensione in ingresso	V _{AC}	100 - 240
Tensione in uscita	V _{DC}	15
Corrente	mA	150
Tempo di carica approssimativo	Ore	10

Livello di pressione sonora misurato in base a EN 62841:		
Pressione sonora (L _{pa})	53 dB(A), incertezza (K) 3 dB(A)	
Potenza sonora (L _{wa})	64 dB(A), incertezza (K) 3 dB(A)	

Valori totali vibrazioni (somma vettoriale triassiale) in base a EN 62841:		
Avvitamento senza percussione (a _{h, is})	0,3 m/s ² , incertezza (K) 1,5 m/s ²	

Dichiarazione di conformità CE

DIRETTIVA MACCHINE



BDCSFL20 - avvitatore con portaoggetti

Black & Decker dichiara che i prodotti descritti al capitolo "Dati tecnici" sono conformi alle seguenti norme:

2006/42/EC, EN62841-1:2015, EN62841-2-2:2014.

Questi prodotti inoltre sono conformi alle Direttive 2014/30/UE e 2011/65/UE.

Per maggiori informazioni contattare Black & Decker al seguente indirizzo oppure consultare l'ultima di copertina del manuale.

Il sottoscritto è responsabile della redazione di questo documento tecnico e rilascia questa dichiarazione per conto di Black & Decker.

Ray Laverick
Direttore tecnico
Black & Decker Europe, 210 Bath Road, Slough,
Berkshire, SL1 3YD
Regno Unito
17/05/2017

Garanzia

Black & Decker è sicura della qualità dei propri prodotti e offre ai consumatori una garanzia di 24 mesi dalla data di acquisto. Il presente certificato di garanzia è complementare ai diritti legali e non li pregiudica in alcun modo. La garanzia è valida sui territori degli Stati membri dell'Unione Europea o dell'EFTA (Associazione europea di libero scambio).

Per attivare la garanzia, il reclamo deve essere effettuato in accordo con i Termini e Condizioni Black & Decker e sarà necessario presentare la prova di acquisto al venditore o all'agente di riparazione autorizzato. I Termini e condizioni della garanzia Black & Decker di 2 anno e la sede dell'agente

di riparazione autorizzato più vicino sono consultabili su Internet all'indirizzo www.2helpU.com, o contattando l'ufficio Black & Decker di zona all'indirizzo indicato in questo manuale.

Visitare il nostro sito www.blackanddecker.it per registrare il prodotto Black & Decker appena acquistato e ricevere gli aggiornamenti su nuovi prodotti e offerte speciali.

NEDERLANDS

(Vertaling van de originele instructies)

Bedoeld gebruik

De BLACK+DECKER™ BDCSFL20 schroevendraaier is ontworpen voor toepassing als schroevendraaier. Dit gereedschap is uitsluitend bestemd voor consumentengebruik.

Veiligheidsinstructies

Algemene veiligheidswaarschuwingen voor elektrisch gereedschap



Waarschuwing! Lees alle veiligheidsaanschuwingen en alle instructies. Wanneer de volgende waarschuwingen en voorschriften niet in acht worden genomen, kan dit een elektrische schok, brand of ernstig letsel tot gevolg hebben.

Bewaar alle waarschuwingen en instructies als referentiemateriaal. De hierna gebruikte term 'elektrisch gereedschap' in alle waarschuwingen die hieronder worden vermeld, heeft betrekking op elektrisch gereedschap voor gebruik op netspanning (met netsnoer) of met een accu (snoerloos).

1. Veilige werkomgeving

- Houd uw werkomgeving schoon en goed verlicht.** Op rommelige of donkere plekken zullen sneller ongelukken gebeuren.
- Werk niet met elektrisch gereedschap in een omgeving met explosiegevaar, zoals in de nabijheid van brandbare vloeistoffen, gassen of stof.** Elektrisch gereedschap veroorzaakt vonken die het stof of de dampen kunnen doen ontbranden.
- Houd kinderen en omstanders op afstand, wanneer u met elektrisch gereedschap werkt.** Als u wordt afgeleid, kunt u de controle over het gereedschap verliezen.

2. Elektrische veiligheid

- De netstekker van het gereedschap moet in het stopcontact passen. Pas de stekker nooit op enige manier aan. Gebruik geen adapterstekkers in combinatie met geaard elektrisch gereedschap.** Niet-aangepaste stekkers en passende contactdozen verminderen het risico van een elektrische schok.

- Vermijd aanraking van het lichaam met gearde oppervlakken, bijvoorbeeld buizen, verwarmingen, fornuizen en koelkasten.** Er bestaat een verhoogd risico van een elektrische schok als uw lichaam contact heeft met aarde.
- Stel het gereedschap niet bloot aan regen en vocht.** Als er water in een elektrisch gereedschap dringt, verhoogt dit het risico van een elektrische schok.
- Behandel het snoer voorzichtig. Gebruik het snoer nooit om het elektrische gereedschap te dragen of naar u toe te trekken, of de stekker uit het stopcontact te halen.** Houd het snoer uit de buurt van warmtebronnen, olie, scherpe randen, of bewegende onderdelen. Beschadigde snoeren of snoeren die in de war zijn geraakt, verhogen het risico van een elektrische schok.
- Gebruik, wanneer u buitenshuis met elektrisch gereedschap werkt, alleen verlengsnoeren die zijn goedgekeurd voor gebruik buitenshuis.** Het gebruik van een verlengsnoer dat geschikt is voor buiten vermindert het risico van een elektrische schok.
- Als u met elektrisch gereedschap werkt op een vochtige locatie, gebruik dan een aardlekschakelaar (RCD).** Het gebruik van een aardlekschakelaar vermindert het risico van een elektrische schok.

3. Persoonlijke veiligheid

- Blijf alert, let goed op wat u doet en ga met verstand te werk bij het gebruik van elektrische gereedschappen. Gebruik het gereedschap niet als u vermoeid bent of onder de invloed van drugs, alcohol of medicatie bent.** Een moment van onoplettendheid tijdens het werken met elektrisch gereedschap kan leiden tot ernstig persoonlijk letsel.
- Draag persoonlijke beschermende uitrusting. Draag altijd oogbescherming.** Beschermende uitrusting, zoals een stofmasker, antislip veiligheidsschoenen, een helm, of gehoorbescherming, gebruikt in de juiste omstandigheden, zal het risico op persoonlijk letsel verminderen.
- Voorkom per ongeluk inschakelen. Controleer dat de schakelaar in de uit-stand staat voordat u het gereedschap aansluit op het stopcontact en/of de accu plaatst en voordat u het gereedschap optilt of gaat dragen.** Het dragen van elektrisch gereedschap met uw vinger op de schakelaar of het aanzetten van elektrisch gereedschap waarvan de schakelaar aan staat, kan leiden tot ongelukken.
- Verwijder instelgereedschap of schroefsleutels voordat u het gereedschap inschakelt.** Een steeksleutel of een inbussleutel in een draaiend deel van het gereedschap kan tot verwondingen leiden.
- Reik niet buiten uw macht. Blijf altijd stevig en in balans op de grond staan.** Dit geeft u betere controle

- over het elektrisch gereedschap in onverwachte situaties.
 - Draag geschikte kleding. Draag geen loszittende kleding of sieraden. Houd uw haar, kleding en handschoenen uit de buurt van bewegende onderdelen.** Loszittende kleding, sieraden of lang haar kunnen door bewegende delen worden gegrepen.
 - Als voorzieningen voor stofafzuiging of stofopvang kunnen worden gemonteerd, controleer dan dat deze zijn aangesloten en op de juiste wijze worden gebruikt.** Het gebruik van stofafzuiging kan aan stof gerelateerde gevaren verminderen.
 - Word niet gemakzuchtig doordat u door veelvuldig gebruik vertrouwd bent geraakt met het gereedschap, en verlies niet de veiligheidsbeginselen uit het oog.** Een onvoorzichtige handeling kan in een fractie van een seconde ernstig letsel tot gevolg hebben.
- Gebruik en onderhoud van elektrisch gereedschap**
 - Overbelast het elektrisch gereedschap niet. Gebruik het juiste elektrisch gereedschap voor uw toepassing.** Met het juiste elektrisch gereedschap kunt u de werkzaamheden waarvoor het gereedschap is ontworpen, beter en veiliger uitvoeren.
 - Gebruik het elektrisch gereedschap niet als de schakelaar niet goed werkt.** Ieder gereedschap dat niet met de schakelaar kan worden bediend, is gevaarlijk en moet worden gerepareerd.
 - Trek de stekker uit het stopcontact en/of de accu uit het elektrisch gereedschap voordat u het gereedschap instelt, toebehoren wisselt of het gereedschap opbergt.** Dergelijke preventieve veiligheidsmaatregelen verminderen het risico dat het elektrisch gereedschap per ongeluk wordt gestart.
 - Bewaar elektrisch gereedschap dat niet wordt gebruikt, buiten bereik van kinderen. Laat niet personen die er niet vertrouwd mee zijn en deze aanwijzingen niet hebben gelezen, met het gereedschap werken.** Elektrisch gereedschap is gevaarlijk in handen van ongetrainde gebruikers.
 - Onderhoud het gereedschap goed. Controleer of bewegende delen van het gereedschap wel goed functioneren en niet klemmen, en of er niet onderdelen zodanig zijn gebroken of beschadigd dat de werking van het gereedschap nadelig wordt beïnvloed. Laat het gereedschap voor gebruik repareren als het beschadigd is.** Veel ongelukken worden veroorzaakt door slecht onderhouden elektrisch gereedschap.
 - Houd zaaggereedschap scherp en schoon.** Goed onderhouden zaaggereedschap met scherpe snijvlakken loopt minder snel vast en is gemakkelijker onder controle te houden.

- g. **Gebruik elektrisch gereedschap, toebehoren, zaagjes en boortjes, enz., volgens deze aanwijzingen. Let daarbij op de arbeidsomstandigheden en de uit te voeren werkzaamheden.** Gebruik van het elektrisch gereedschap voor werkzaamheden die anders zijn dan bedoeld, kan leiden tot een gevaarlijke situatie.
- h. **Houd de handgrepen droog, schoon en vrij van olie en vet.** Gladde handgrepen en hellende oppervlakken maken het moeilijk het gereedschap veilig te hanteren en onder controle te houden in onverwachte situaties.
5. **Gebruik en onderhoud van accugereedschap**
- a. **Laad accu's alleen op met de door de fabrikant aanbevolen lader.** Een lader die geschikt is voor het ene type accu, kan een risico van brand doen ontstaan bij gebruik met een andere accu.
- b. **Gebruik elektrisch gereedschap alleen in combinatie met specifiek vermelde accu's.** Het gebruik van andere accu's kan gevaar voor letsel en brand opleveren.
- c. **Houd de accu, wanneer u deze niet gebruikt, weg bij andere metalen objecten zoals paperclips, munten, sleutels, spijkers, schroeven of andere kleine metalen voorwerpen die een verbinding tot stand kunnen brengen tussen de ene pool en de andere.** Als kortsluiting tussen de polen van de accu wordt gemaakt, kan dit tot brandwonden of brand leiden.
- d. **Wanneer de accu slecht wordt behandeld, kan er vloeistof uit de accu spuiten, vermijd contact met deze vloeistof. Als er per ongeluk contact ontstaat, spoel dan met water. Als de vloeistof in de ogen komt, roep dan tevens medische hulp in.** Vloeistof uit de accu kan irritatie en brandwonden veroorzaken.
- e. **Gebruik niet accu's of gereedschappen die beschadigd zijn of waaraan wijzigingen zijn aangebracht.** Beschadigde of gemodificeerde accu's kunnen zich onvoorspelbaar gedragen wat brand, explosie of een risico van letsel met zich mee kan brengen.
- f. **Stel een accu of gereedschap niet bloot aan vuur of uitzonderlijk hoge temperaturen.** Blootstelling aan brand of een temperatuur boven 130° C kan explosie tot gevolg hebben.
- g. **Volg alle instructies voor het opladen en laad de accu of het gereedschap niet bij een temperatuur buiten het temperatuurbereik dat wordt opgegeven in de instructies.** Onjuist opladen of opladen bij temperaturen buiten het opgegeven bereik kan de accu beschadigen en het risico van brand vergroten.
6. **Service**
- a. **Laat het gereedschap alleen repareren door gekwalificeerd en vakkundig personeel en alleen met originele vervangingsonderdelen.** De veiligheid van het gereedschap blijft dan gewaarborgd.

- b. **Voer nooit servicewerkzaamheden uit aan accu's.** Alleen de fabrikant of een geautoriseerd servicecentrum mag servicewerkzaamheden aan accu's uitvoeren.

Aanvullende veiligheidswaarschuwingen voor elektrisch gereedschap



Waarschuwing! Aanvullende veiligheidswaarschuwingen voor schroevendraaiers en moerenaanzetters

- ◆ **Houd het elektrisch gereedschap alleen vast aan geïsoleerde oppervlakken wanneer u een handeling uitvoert waarbij het bevestigingsmateriaal in contact kan komen met verborgen bedrading.** Bevestigingsmateriaal dat in contact komt met bedrading die onder stroom staat, kan metalen onderdelen van het gereedschap onder stroom zetten en de gebruiker een elektrische schok geven.
- ◆ **Zet het werkstuk met klemmen of op een andere praktische manier vast en ondersteun het op een stabiele ondergrond.** Wanneer u het werkstuk vasthoudt met de hand of het tegen uw lichaam gedrukt houdt, is het instabiel en kunt u de controle verliezen.
- ◆ Het bedoeld gebruik wordt beschreven in deze gebruiksaanwijzing. Het gebruik van andere accessoires of hulpstukken of uitvoering van andere handelingen met dit gereedschap dan die in deze instructiehandleiding worden aanbevolen, kan leiden tot persoonlijk letsel en/of materiële schade.

Veiligheid van anderen

- ◆ Laat nooit kinderen, personen met verminderde fysieke, zintuiglijke of mentale vermogens of met een gebrek aan ervaring en kennis of mensen die niet bekend zijn met deze instructies, de machine gebruiken, ter plaatse geldende bepalingen zullen mogelijk een minimale leeftijd van de gebruiker voorschrijven.
- ◆ Werk nooit met het apparaat terwijl er mensen, en vooral niet terwijl er kinderen of huisdieren dicht bij u in de buurt zijn.

Aanvullende veiligheidswaarschuwingen voor elektrisch gereedschap



Waarschuwing! Aanvullende veiligheidswaarschuwingen voor schijnwerpers

- ◆ Probeer nooit andere onderdelen te verwijderen of te vervangen dan de in deze handleiding genoemde.
- ◆ Gebruik het gereedschap nooit zonder lens of met een beschadigde lens.
- ◆ Kijk nooit direct in het licht en schijn nooit iemand recht in de ogen.



Waarschuwing! Brandgevaar. Werk niet met werklichten of de lader bij brandbare vloeistoffen of in een atmosfeer waarin zich gas of een explosieve stof bevindt. Vonken binnenin kunnen dampen doen ontbranden, waardoor persoonlijk letsel kan ontstaan.

- ◆ Stel het licht of de lader niet bloot aan natte of vochtige ruimten. Stel het licht of de lader niet bloot aan regen of sneeuw.
- ◆ Was het licht of de lader niet met water en laat geen water in het licht of de lader dringen. Dompel het licht nooit onder in water.



Let op! Plaats het gereedschap, wanneer het niet wordt gebruikt, op de zijkant op een stabiel oppervlak, waar niet het gevaar bestaat dat iemand erover struikelt of dat het gereedschap valt. Sommig gereedschap met grote accu's kan rechtop staan op de accu maar kan gemakkelijk worden omgegooid.

- ◆ Kijk nooit in de lichtbron met behulp van optische instrumenten.

Overige risico's

Er kunnen zich bij het gebruik van dit gereedschap nog meer risico's voordoen, die mogelijk niet in de bijgesloten veiligheidswaarschuwingen worden beschreven. Deze risico's kunnen zich voordoen door onoordeelkundig gebruik, langdurig gebruik, enz. Zelfs wanneer de veiligheidsvoorschriften in acht worden genomen en de veiligheidsvoorzieningen worden gebruikt, kunnen bepaalde risico's niet worden uitgesloten. Dit zijn onder meer:

- ◆ Verwondingen die worden veroorzaakt door het aanraken van draaiende of bewegende onderdelen.
- ◆ Verwondingen die worden veroorzaakt bij het vervangen van onderdelen, messen of accessoires.
- ◆ Verwondingen die worden veroorzaakt door langdurig gebruik van gereedschap. Wanneer u langere periodes met de machine werkt, kunt u het beste regelmatig een pauze nemen.
- ◆ Gehoorbeschadiging.
- ◆ Gezondheidsrisico's door het inademen van stof dat vrijkomt tijdens het gebruik van uw gereedschap (bijvoorbeeld: het werken met hout, met name eiken, beuken en MDF.)

Trillingen

De aangegeven waarden voor trillingsemisatie in de technische gegevens en de conformiteitsverklaring, zijn gemeten conform een standaardtestmethode die door EN62841 wordt verstrekt. Hiermee kan het ene gereedschap met het andere worden vergeleken. De aangegeven waarde voor trillingsemisatie

kan ook worden gebruikt bij een voorlopige bepaling van blootstelling. **Waarschuwing!** De waarde voor trillingsemisatie tijdens het werkelijke gebruik van het gereedschap kan verschillen van de aangegeven waarde afhankelijk van de manieren waarop het gereedschap wordt gebruikt. Het trillingsniveau kan toenemen tot boven het aangegeven niveau. Bij beoordeling van de blootstelling aan trillingen met het doel vast te stellen welke veiligheidsmaatregelen 2002/44/EG vereist ter bescherming van personen die tijdens hun werk regelmatig elektrisch gereedschap gebruiken, moet bij een inschatting van de blootstelling aan trillingen rekening worden gehouden met de werkelijke gebruiksomstandigheden en de manier waarop het gereedschap wordt gebruikt. Daarbij moet ook rekening worden gehouden met alle onderdelen van de bedrijfscyclus, zoals wanneer het gereedschap wordt uitgeschakeld en wanneer het gereedschap stationair loopt en ook de aanlooptijd.

Etiketten op het gereedschap

De volgende symbolen worden met de datumcode op het gereedschap weergegeven:



Waarschuwing! De gebruiker moet de instructiehandleiding lezen zodat het risico van letsel wordt beperkt.

Aanvullende veiligheidsinstructies voor accu's en laders

Accu's

- ◆ Probeer nooit om welke reden dan ook de accu open te maken.
- ◆ Stel de accu niet bloot aan water.
- ◆ Bewaar de accu niet op locaties waar de temperatuur kan stijgen tot boven 40 °C.
- ◆ Laad de accu uitsluitend op bij een omgevingstemperatuur tussen 10 °C en 40 °C.
- ◆ Gebruik alleen de lader die bij het gereedschap is geleverd.
- ◆ Gooi lege accu's weg volgens de instructies in het gedeelte "Het milieu beschermen".



Probeer niet beschadigde accu's op te laden.

Laders

- ◆ Gebruik de lader van BLACK+DECKER alleen voor de accu's in het gereedschap waarbij de lader is bijgeleverd. Andere accu's kunnen openbarsten, met letsel en materiële schade tot gevolg.
- ◆ Probeer nooit niet-oplaadbare accu's op te laden.
- ◆ Laat een defect snoer direct vervangen.
- ◆ Stel de lader niet bloot aan water.

- ◆ Open de lader niet.
- ◆ Steek nooit een voorwerp in de lader.



De lader is uitsluitend bestemd voor gebruik binnenshuis.



Lees de instructiehandleiding voordat u de lader in gebruik neemt.

Elektrische veiligheid



De lader is dubbel geïsoleerd, en daarom is een aardendraad niet nodig. Controleer altijd dat de netspanning overeenkomt met de waarde op het typeplaatje. Probeer nooit de lader te voorzien van een normale netstekker.

- ◆ Als het netsnoer is beschadigd, moet het worden vervangen door de fabrikant of een BLACK+DECKER-servicecentrum zodat gevaarlijke situaties worden voorkomen.

Functies

Dit gereedschap is voorzien van enkele of alle van de volgende functies.

1. Aan/uit-schakelaar
2. Schuifknop voor rechtsom/linksom
3. Bithouder
4. Knop voor het verstellen van de handgreep
5. Handgreep
6. Laderaansluiting
7. Schijnwerper
8. Knop van schijnwerper

Gereedschap opladen (afb. A)

De accu moet vóór het eerste gebruik worden opgeladen, en ook zodra de accu niet meer voldoende vermogen levert voor taken die eerst gemakkelijk konden worden uitgevoerd. Tijdens het opladen kan de accu warm worden. Dit is normaal en duidt niet op een probleem.

Waarschuwing! Gebruik alleen de lader die bij het apparaat is geleverd.

- ◆ Steek, als u de batterij wilt opladen, de stekker van de lader (6a) in de aansluiting (6).
- ◆ Steek de stekker van de lader in het stopcontact.
- ◆ Laat het gereedschap 10 uur aangesloten op de lader.

Tijdens het opladen kan de lader brommen en warm worden. Dit is normaal en duidt niet op een probleem.

Waarschuwing! Laad de accu niet op bij een omgevingstemperatuur lager dan 10 °C of hoger dan 40 °C. De aanbevolen laadtemperatuur ligt op ongeveer 24 °C.

Een schroefbit of dop plaatsen of verwijderen (afb. B)

Waarschuwing! Controleer voor u accessoires plaatst of verwijdert, dat het gereedschap is vergrendeld zodat de schakelaar niet per ongeluk kan worden geactiveerd.

- ◆ Duw een schroefbit (9) in de bithouder (3) tot het vastzit.
- ◆ U kunt het schroefbit uitnemen door het uit de bithouder te trekken.

Gebruik van de machine

Waarschuwing! Laat het gereedschap op zijn eigen snelheid werken. Overbelast het gereedschap niet.

De schijnwerper gebruiken (afb. C)

- ◆ Schakel de schijnwerper (7) in door op de aan/uit-schakelaar (8) te drukken.
- ◆ Schakel de schijnwerper (7) uit door weer op de aan/uit-schakelaar (8) te drukken.

In- en uitschakelen (fig. D)

- ◆ U kunt het gereedschap bedienen door de aan/uit-schakelaar (1) in te drukken en ingedrukt te houden.
- ◆ Laat de schakelaar los als u het gereedschap (1) wilt uitschakelen.

De draairichting selecteren (fig. E)

Voor het vastdraaien van schroeven en het boren van voorboorgaten, gebruikt u de voorwaartse draairichting (rechtsom). Gebruik voor het losdraaien van schroeven of het losmaken van een vastgelopen boorbit de tegengestelde draairichting (linksom).

- ◆ Druk voor voorwaartse rotatie de schuifknop voor vooruit/achteruit (2) naar rechts.
- ◆ Druk voor achterwaartse rotatie de schuifknop voor vooruit/achteruit (2) naar links.
- ◆ U kunt het gereedschap vergrendelen door de schuifknop voor vooruit/achteruit (2) in de middelste stand te zetten.

De handgreep aanpassen (afb. F)

Voor optimale veelzijdigheid kan de handgreep (5) in drie verschillende standen worden gezet.

- ◆ Druk op de knop voor het verstellen van de handgreep (4).
- ◆ Verplaats de zool van de zaag (5) naar de gewenste positie.
- ◆ Druk op de knop voor het verstellen van de handgreep (4).

Onderhoud

Uw BLACK+DECKER-gereedschap is ontworpen om gedurende langere periode te functioneren met een minimum aan onderhoud. Het continu naar tevredenheid functioneren hangt af van de juiste zorg voor het gereedschap en regelmatig schoonmaken.

Behalve regelmatige reiniging vraagt de lader geen onderhoud.

Waarschuwing! Neem, voordat u onderhoud aan het gereedschap uitvoert, de accu uit het gereedschap. Neem de lader uit het stopcontact voordat u deze schoonmaakt.

- ◆ Reinig regelmatig de ventilatieopeningen van het gereedschap en de lader met een zachte borstel of een droge doek.
- ◆ Reinig de behuizing van de motor regelmatig met een vochtige doek. Gebruik niet een schurend schoonmaakmiddel of een schoonmaakmiddel op basis van een oplosmiddel.
- ◆ Tik regelmatig tegen de bithouder zodat eventueel stof eruit kan vallen.

Het milieu beschermen



Gescheiden afvalinzameling. Producten en accu's waarop dit symbool is aangebracht, mogen niet bij het normale huishoudafval worden weggegooid.

Producten en accu's bevatten materialen die kunnen worden teruggewonnen of gerecycled en dat doet de vraag naar grondstoffen afnemen.

Recycle elektrische producten en accu's volgens de ter plaatse geldende bepalingen. Nadere informatie is beschikbaar op www.2helpU.com

Technische gegevens

		BDCSFL20 H1
Spanning	V _{dc}	3,6
Snelheid onbelast	Min ⁻¹	180
Max. torsie (PTI-gegevens)	Nm	5,5
Accutype		Li-Ion
Accuvermogen	Ah	1,5
Gewicht	kg	0,35

		9062787*-01
Ingangsspanning	V _{ac}	100 - 240
Uitgangsspanning	V _{dc}	15
Laadstroom	mA	150
Oplaadtijd ongev.	Uur	10

Geluidsdruk niveau, volgens EN 62841:	
Geluidsdruk (L _{pa})	53 dB(A), onzekerheid (K) 3 dB(A)
Geluidsvermogen (L _{wa})	64 dB(A), onzekerheid (K) 3 dB(A)

Totale trillingswaarden (som triaxvector) volgens EN 62841:
Schroeven draaien zonder slag (a _{h, is}) 0,3 m/s ² , onzekerheid (K) 1,5 m/s ²

EG conformiteitsverklaring
RICHTLIJN VOOR MACHINES



BDCSFL20 - schroevendraaier met opbergvak Black & Decker verklaart dat deze producten, die zijn beschreven onder "Technische gegevens", voldoen aan: 2006/42/EC, EN62841-1:2015, EN62841-2-2:2014.

Deze producten voldoen tevens aan richtlijn 2014/30/EU en 2011/65/EU.

Neem voor meer informatie contact op met Black & Decker op het volgende adres of raadpleeg de achterzijde van de handleiding.

Ondergetekende is verantwoordelijk voor de samenstelling van het technische bestand en legt deze verklaring af namens Black & Decker.

Ray Laverick
Director of Engineering
Black & Decker Europe, 210 Bath Road, Slough,
Berkshire, SL1 3YD
Verenigd Koninkrijk
17/05/2017

Garantie

Black & Decker heeft vertrouwen in zijn producten en biedt consumenten een garantie van 24 maanden vanaf de datum van aankoop. Deze garantie vormt een aanvulling op uw wettelijke rechten en beperken deze niet. De garantie is geldig op het grondgebied van de Lidstaten van de Europese Unie en de Europese Vrijhandelszone.

Voor een garantie-aanspraak moet uw aanspraak in overeenstemming zijn met de Voorwaarden en Condities van Black & Decker en moet u een bewijs van aankoop overleggen aan de verkoper of aan een geautoriseerde reparatiemonteur. Voorwaarden en condities van de 2-jarige garantie van Black & Decker en het adres van de vestiging van het geautoriseerde reparatiecentrum bij u in de buurt, kunt u vinden op internet op www.2helpU.com, of door contact op te nemen met het Black & Decker-kantoor ter plaatse, op het adres dat in deze handleiding wordt vermeld.

Bezoek onze website www.blackanddecker.nl, waar u uw nieuwe Black & Decker-product kunt registreren en informatie kunt verkrijgen over nieuwe producten en speciale aanbiedingen.

Uso previsto

Los destornilladores BLACK+DECKER™ BDCSFL20 han sido diseñados para operaciones de atornillado. Esta herramienta ha sido concebida únicamente para uso doméstico.

Instrucciones de seguridad

Advertencias de seguridad generales para herramientas eléctricas



Advertencia. Lea todas las advertencias de seguridad y todas las instrucciones. En caso de no atenderse a las siguientes advertencias e instrucciones de seguridad, podría producirse una descarga eléctrica, incendio o lesión grave.

Guarde todas las advertencias e instrucciones para futuras consultas. El término "herramienta eléctrica" empleado en las advertencias a continuación hace referencia a la herramienta eléctrica con alimentación de red (con cable) o alimentada por batería (sin cable).

1. Seguridad del área de trabajo

- Mantenga limpia y bien iluminada el área de trabajo.** Las áreas en desorden u oscuras pueden provocar accidentes.
- No utilice herramientas eléctricas en entornos con peligro de explosión, como aquellos en los que haya líquidos, gases o material en polvo inflamables.** Las herramientas eléctricas originan chispas que pueden inflamar el polvo o los gases.
- Mantenga alejados a los niños y a otras personas del área de trabajo al emplear la herramienta eléctrica.** Las distracciones pueden ocasionar que pierda el control.

2. Seguridad eléctrica

- El enchufe de la herramienta eléctrica debe corresponder a la toma de corriente utilizada. No modifique nunca el enchufe de ninguna forma. No utilice ningún enchufe adaptador con las herramientas eléctricas conectadas a tierra.** Los enchufes no modificados y las tomas de corriente correspondientes reducirán el riesgo de descarga eléctrica.
- Evite que su cuerpo toque partes conectadas a tierra como tuberías, radiadores, cocinas y refrigeradores.** Existe un mayor riesgo de descarga eléctrica si su propio cuerpo está conectado a tierra.
- No exponga las herramientas eléctricas a la lluvia y evite que penetren líquidos en su interior.** Si entra agua a una herramienta eléctrica aumentará el riesgo de descarga eléctrica.
- Cuide el cable de alimentación. No use nunca el cable para transportar, tirar de la herramienta eléctrica o**

desenchufarla. Mantenga el cable alejado del calor, aceite, bordes afilados y piezas en movimiento. Los cables dañados o enredados aumentan el riesgo de descarga eléctrica.

- Al trabajar con la herramienta eléctrica en la intemperie utilice solamente cables de prolongación homologados para su uso en exteriores.** La utilización de un cable adecuado para el uso en exteriores reduce el riesgo de descarga eléctrica.
 - Si la utilización de una herramienta eléctrica en un lugar húmedo es inevitable, utilice una fuente protegida con un dispositivo diferencial residual (DDR).** El uso de un dispositivo diferencial residual reduce el riesgo de descarga eléctrica.
- Seguridad personal**
 - Esté atento a lo que hace y emplee la herramienta eléctrica con prudencia. No maneje una herramienta eléctrica cuando esté cansado o bajo los efectos de drogas, medicamentos o alcohol.** Un momento de falta de atención cuando se manejan las herramientas eléctricas puede ocasionar lesiones personales graves.
 - Utilice un equipo de protección personal. Utilice siempre protección ocular.** El uso del equipo protector como mascarillas antipolvo, calzado antideslizante, casco o protección auditiva para condiciones apropiadas reducirá las lesiones personales.
 - Evite que la herramienta se ponga en marcha accidentalmente. Asegúrese de que el interruptor se encuentre en la posición de apagado antes de conectar la herramienta a la fuente de alimentación o a la batería, o de coger o transportar la herramienta.** Transportar herramientas eléctricas con el dedo puesto en el interruptor o herramientas eléctricas activadoras que tengan el interruptor encendido puede provocar accidentes.
 - Retire las herramientas de ajuste o llaves fijas antes de conectar la herramienta eléctrica.** Dejar una llave inglesa u otra llave puesta en una pieza en movimiento de la herramienta eléctrica puede ocasionar lesiones personales.
 - Sea precavido. Mantenga un equilibrio adecuado y la estabilidad constantemente.** Esto permite un mejor control de la herramienta eléctrica en situaciones inesperadas.
 - Lleve puesta una vestimenta de trabajo adecuada. No se ponga ropa suelta o joyas. Mantenga el cabello, la ropa y los guantes alejados de las piezas en movimiento.** La ropa suelta, las joyas y el pelo largo pueden quedar atrapados en las piezas en movimiento.
 - Siempre que sea posible utilizar unos equipos de aspiración o captación de polvo, asegúrese de que estén montados y se utilicen correctamente.** El uso de

equipo de recogida de polvo puede reducir los riesgos relacionados con el polvo.

- Evite que la familiaridad adquirida con el uso frecuente de las herramientas le haga confiarse demasiado e ignorar las normas de seguridad de las herramientas.** Un descuido puede causar lesiones graves en una fracción de segundo.
- Uso y cuidado de herramientas eléctricas**
 - No sobrecargue la herramienta eléctrica. Use la herramienta eléctrica correcta para su trabajo.** La herramienta eléctrica correcta funcionará mejor y con mayor seguridad si se utiliza de acuerdo con sus características técnicas.
 - No utilice herramientas eléctricas con un interruptor defectuoso.** Toda herramienta eléctrica que no pueda controlarse con el interruptor es peligrosa y debe ser reparada.
 - Desconecte el enchufe de la herramienta eléctrica de la fuente de alimentación y la batería antes de realizar cualquier ajuste, cambiar accesorios o guardar la herramienta.** Dichas medidas de seguridad preventivas reducen el riesgo de poner en marcha accidentalmente la herramienta eléctrica.
 - Guarde las herramientas eléctricas fuera del alcance de los niños y de las personas que no estén familiarizadas con su uso.** Las herramientas eléctricas son peligrosas en manos de personas no capacitadas.
 - Realice el mantenimiento de sus herramientas eléctricas. Controle si funcionan correctamente, sin atascarse, las partes móviles de la herramienta eléctrica, y si existen partes rotas o deterioradas que pudieran afectar al funcionamiento de la herramienta. Si la herramienta eléctrica está dañada, llévela para que sea reparada antes de utilizarla.** Se ocasionan muchos accidentes por el mal mantenimiento de las herramientas eléctricas.
 - Mantenga las herramientas de corte limpias y afiladas.** Hay menos probabilidad de que las herramientas de cortar con bordes afilados se bloqueen, y son más fáciles de controlar.
 - Utilice la herramienta eléctrica, los accesorios, los útiles de la herramienta, etc. de acuerdo con estas instrucciones, y tenga en cuenta las condiciones de trabajo y la tarea que se va a realizar.** El uso de la herramienta eléctrica para operaciones que no sean las previstas puede ocasionar una situación peligrosa.
 - Mantenga las empuñaduras y superficies de agarre secas, limpias y libres de aceite y grasa.** Las empuñaduras resbalosas y las superficies engrasadas impiden aferrar y controlar la herramienta en situaciones imprevistas.

5. Uso y cuidado de la herramienta de baterías

- Recárguela sólo con el cargador especificado por el fabricante.** Un cargador adecuado para un tipo de paquete de baterías puede provocar riesgos de incendio al ser utilizado con otro paquete de baterías.
- Utilice las herramientas eléctricas solamente con las baterías recomendadas.** El uso de otras baterías puede suponer un riesgo de incendio y lesiones.
- Cuando no utilice la batería, manténgala alejada de objetos de metal como clips para papel, monedas, llaves, clavos, tornillos y otros pequeños objetos metálicos que pueden realizar una conexión de un terminal a otro.** Si se produce un cortocircuito entre los terminales de la batería, pueden ocasionarse incendios o quemaduras.
- En caso de uso abusivo puede salir líquido de la batería, evite el contacto. Si se produce un contacto accidental, lave con agua. Si el líquido se pone en contacto con los ojos, acuda además a un médico.** El líquido expulsado de la batería podrá provocar irritaciones o quemaduras.
- No use la batería ni la herramienta si están dañadas o han sido modificadas.** Las baterías dañadas o modificadas pueden tener reacciones imprevistas y causar incendios, explosión o riesgo de lesiones.
- No exponga la batería o la herramienta al fuego o a temperaturas excesivas.** La exposición al fuego o a una temperatura superior a 265 °F puede causar una explosión.
- Siga las instrucciones de carga y no cargue la batería o la herramienta fuera del rango de temperatura especificada en las instrucciones.** La carga incorrecta o fuera del rango de temperatura especificado puede dañar la batería y aumentar el riesgo de incendio.

6. Reparaciones

- Esta herramienta eléctrica puede ser reparada solo por personal técnico autorizado que emplee exclusivamente piezas de repuesto originales.** Así se asegurará que se mantenga la seguridad de la herramienta eléctrica.
- Nunca repare la batería si está dañada.** La reparación de la batería puede ser efectuada únicamente por el fabricante o los proveedores de servicio autorizados.

Advertencias de seguridad adicionales para herramientas eléctricas



Advertencia. Advertencias de seguridad adicionales para atornilladores y llaves de percusión.

- ◆ **Sostenga la herramienta por las superficies de agarre aisladas cuando realice una operación en la que la fijación pueda entrar en contacto con un cable oculto.** El contacto de los elementos de sujeción con un cable "cargado" puede cargar las partes metálicas expuestas de la herramienta eléctrica y producir una descarga eléctrica al operador.
- ◆ **Utilice fijaciones u otro tipo de método para fijar y apoyar la pieza de trabajo en una plataforma estable.** Si sostiene la pieza de trabajo con las manos o con su cuerpo, esta estará inestable y podrá hacer que usted pierda el control.
- ◆ En este manual se describe el uso previsto. La utilización de accesorios o dispositivos auxiliares o la realización de operaciones distintas a las recomendadas en este manual de instrucciones para esta herramienta puede presentar riesgo de lesiones personales y/o de daños materiales.

Seguridad de otras personas

- ◆ Nunca permita que los niños ni las personas con capacidades físicas, sensoriales o mentales disminuidas; que carezcan de experiencia y conocimientos, o que no estén familiarizadas con estas instrucciones utilicen la máquina. Las normas locales pueden restringir la edad del operador.
- ◆ Nunca utilice la máquina si otras personas, especialmente niños o mascotas, se encuentran cerca.

Advertencias de seguridad adicionales para herramientas eléctricas



Advertencia. Advertencias de seguridad adicionales para linternas

- ◆ Nunca intente extraer ni sustituir ninguna pieza, salvo que sean las especificadas en este manual.
- ◆ No utilice sin la lente colocada o si esta está dañada.
- ◆ No mire directamente hacia la luz ni la enfoque hacia los ojos de otra persona.



Advertencia. Peligro de incendio. No opere con la luz de trabajo o el cargador junto a llamas o líquidos o en atmósferas gaseosas o explosivas. Las chispas internas pueden incendiar los humos y provocar lesiones.

- ◆ No exponga la luz ni el cargador a zonas húmedas o mojadas. No exponga el cargador o la luz a la lluvia o a la nieve.
- ◆ No limpie el cargador o la luz con agua ni deje que el agua penetre dentro de la luz o del cargador. No sumerja la luz en agua en cualquier momento.



Precaución. Cuando no utilice la herramienta, colóquela de lado sobre una superficie estable donde no provoque riesgo de caídas y traspíes. Algunas herramientas con grandes paquetes de baterías pueden quedar derechas sobre el paquete de baterías, pero también pueden volcarse con facilidad.

- ◆ Nunca mire directamente con instrumentos ópticos hacia la fuente de luz.

Riesgos residuales

El uso de esta herramienta puede producir riesgos residuales adicionales no incluidos en las advertencias de seguridad adjuntas. Estos riesgos se pueden generar por un uso incorrecto, demasiado prolongado, etc. El cumplimiento de las normas de seguridad correspondientes y el uso de dispositivos de seguridad no evitan ciertos riesgos residuales. Dichos riesgos incluyen:

- ◆ Lesiones producidas por el contacto con piezas móviles o giratorias.
- ◆ Lesiones producidas al cambiar cualquier pieza, hoja o accesorio.
- ◆ Lesiones producidas por uso prolongado de una herramienta. Si utiliza una herramienta durante períodos de tiempo demasiado prolongados, asegúrese de realizar pausas con frecuencia.
- ◆ Deterioro auditivo.
- ◆ Riesgos para la salud causados por la respiración del polvo generado por el uso de la herramienta (por ejemplo, al trabajar con madera, especialmente roble, haya o tablero semiduro de fibras).

Vibración

Los valores de emisión de vibraciones declarados en el apartado de características técnicas y en la declaración de conformidad se han calculado según un método de prueba estándar proporcionado por la norma EN62841 y pueden utilizarse para comparar una herramienta con otra. El valor de emisión de vibraciones especificado también puede utilizarse en una evaluación preliminar de la exposición. Advertencia. El valor de emisión de vibraciones durante el funcionamiento real de la herramienta eléctrica puede diferir del valor declarado en función de cómo se utilice dicha herramienta. El nivel de las vibraciones puede aumentar por encima del nivel declarado.

Al evaluar la exposición a las vibraciones con el fin de determinar las medidas de seguridad que exige la directiva 2002/44/CE para proteger a las personas que utilizan periódicamente herramientas eléctricas en el entorno laboral, deberá tenerse en cuenta una estimación de la exposición a las vibraciones, las condiciones de uso reales y el modo de empleo de la herramienta, así como los pasos del ciclo operativo como, por ejemplo, el número de veces que la

herramienta se apaga, el tiempo que está parada y el tiempo de activación.

Etiquetas en la herramienta

Los siguientes pictogramas están colocados, junto al código, en la herramienta:



Advertencia. Para reducir el riesgo de lesiones, el usuario debe leer el manual de instrucciones.

Instrucciones de seguridad adicionales para baterías y cargadores

Baterías

- ◆ Jamás trate de abrir las baterías por ningún motivo.
- ◆ No exponga las baterías al agua.
- ◆ No guarde la batería en lugares en los que la temperatura pueda superar los 40 °C.
- ◆ Recargue la batería únicamente a una temperatura ambiente entre 10 °C y 40 °C.
- ◆ Utilice únicamente el cargador suministrado con la herramienta para realizar la carga.
- ◆ Cuando vaya a desechar la batería, siga las instrucciones facilitadas en la sección "Protección del medioambiente".



No intente cargar baterías dañadas.

Cargadores

- ◆ Solo debe utilizar el cargador BLACK+DECKER para cargar la batería en herramienta con la que se suministró. Otras baterías podrían explotar y provocar lesiones y daños materiales.
- ◆ Nunca intente cargar baterías no recargables.
- ◆ Sustituya los cables defectuosos inmediatamente.
- ◆ No exponga el cargador al agua.
- ◆ No abra el cargador.
- ◆ No aplique ningún dispositivo para medir la resistencia del cargador.



El cargador ha sido concebido para utilizarse únicamente en un lugar interior.



Lea el manual de instrucciones antes de usar el producto.

Seguridad eléctrica



El cargador presenta un aislamiento doble; por lo tanto, no se requiere conexión a tierra. Compruebe siempre que el voltaje de la red eléctrica corresponda al valor indicado en la placa de características. No intente sustituir el cargador por un enchufe convencional para la red eléctrica.

- ◆ Si se daña el cable de alimentación, el fabricante o un centro de servicio técnico autorizado de BLACK+DECKER deberán sustituirlo para evitar riesgos.

Características

Esta herramienta incluye parte o la totalidad de estas características.

1. Interruptor de accionamiento ON/OFF (encendido/apagado)
2. Control deslizante de avance/retroceso
3. Portapuntas
4. Botón de ajuste de la empuñadura
5. Mango
6. Conector del cargador
7. Luz
8. Botón de la luz

Cargar la herramienta (Fig. A)

Es necesario cargar la batería antes del primer uso y cada vez que note que no dispone de suficiente potencia para tareas que antes realizaba con facilidad. Es posible que la batería se caliente durante la carga; esto es normal y no denota ningún problema.

Advertencia. Utilice únicamente el cargador suministrado para cargar la herramienta.

- ◆ Para cargar la batería, introduzca el enchufe del cargador (6a) en el conector (6).
- ◆ Enchufe el cargador.
- ◆ Deje la herramienta conectada al cargador durante 10 horas.

El cargador puede zumbar y calentarse durante la carga; esto es normal y no indica ningún problema.

Advertencia. No cargue la batería si la temperatura ambiente es inferior a 10 °C o superior a 40 °C. La temperatura de carga recomendada es de aproximadamente 24 °C.

Colocación y extracción de una punta de atornillar o una llave de vaso (Fig. B)

Advertencia. Asegúrese de que la herramienta está bloqueada para evitar que se active el interruptor antes de colocar o extraer accesorios.

- ◆ Para colocar una punta de atornillar (9), colóquela en el portapuntas (3) presionando firmemente hasta que encaje en su sitio.
- ◆ Para extraer una punta de atornillar, tire de ella para extraerla del portapuntas.

Uso

Advertencia. Deje que la herramienta funcione a su ritmo. No la sobrecargue.

Uso de la luz (Fig. C)

- ◆ Pulse el botón de la luz (8) para usar la luz (7).

- ◆ Vuelva a pulsar el botón de la luz (8) para apagar la luz (7).

Encendido y apagado (Fig. D)

- ◆ Para utilizar la herramienta, mantenga pulsado el interruptor de accionamiento (1).
- ◆ Para apagar la herramienta, suelte el interruptor de accionamiento (1).

Selección de la dirección de rotación (Fig. E)

Para apretar tornillos y perforar orificios piloto, utilice la rotación de avance (en el sentido de las agujas del reloj). Para aflojar tornillos o extraer una broca atascada, utilice la rotación de retroceso (en sentido contrario a las agujas del reloj).

- ◆ Para seleccionar la rotación hacia delante, empuje el control deslizante de avance/retroceso (2) hacia la derecha.
- ◆ Para seleccionar la rotación hacia atrás, empuje el control deslizante de avance/retroceso (2) hacia la izquierda.
- ◆ Para bloquear la herramienta, coloque el control deslizante de avance/retroceso (2) en la posición central.

Ajuste de la empuñadura (Fig. F)

Para una mayor versatilidad, el mango puede ajustarse (5) en tres posiciones distintas.

- ◆ Pulse el botón de ajuste del mango (4).
- ◆ Ponga la base de la sierra (5) en la posición deseada.
- ◆ Pulse el botón de ajuste del mango (4).

Mantenimiento

La herramienta BLACK+DECKER se ha diseñada para funcionar durante un largo período de tiempo con un mínimo de mantenimiento. El funcionamiento satisfactorio y continuo depende del buen cuidado de la herramienta y de una limpieza frecuente.

El cargador no requiere ningún mantenimiento especial excepto la limpieza periódica.

Advertencia. Antes de realizar alguna operación de mantenimiento en la herramienta, extraiga la batería. Desenchufe el cargador antes de limpiarlo.

- ◆ Limpie periódicamente las ranuras de ventilación de la herramienta y el cargador con un cepillo suave o un paño seco.
- ◆ Limpie periódicamente la carcasa del motor con un paño húmedo. No utilice limpiadores abrasivos o a base de disolventes.
- ◆ Golpe periódicamente el portapuntas para extraer el polvo del interior.

Protección del medioambiente



Recogida selectiva. Los productos y las baterías marcadas con este símbolo no se deben desechar junto con los residuos domésticos normales.

Los productos y las baterías que contienen materiales que se puedan recuperar o reciclar reducen la demanda de materias primas.

Recicle los productos eléctricos y las baterías de conformidad con la normativa local. Puede obtener más información en www.2helpU.com

Datos técnicos

		BDCSFL20 H1
Tensión	V _{cc}	3.6
Velocidad en vacío	Min. ¹	180
Par de torsión máximo (Categoría PTI)	Nm	5.5
Tipo de batería		Litio-ión
Capacidad de la batería	Ah	1.5
Peso	kg	0.35

		9062787*-01
Voltaje de entrada	V _{ca}	100 - 240
Voltaje de salida	V _{cc}	15
Corriente	mA	150
Tiempo de carga aproximado	Horas	10

Nivel de presión acústica de acuerdo con la norma EN 62841:	
Presión acústica (L _{pa})	53 dB(A), incertidumbre (K) 3 dB(A)
Potencia acústica (L _{wa})	64 dB(A), incertidumbre (K) 3 dB(A)

Valores totales de vibración (suma vectorial triaxial) de acuerdo con la directiva EN 62841:	
Atornillado sin impacto (a _{h, is})	0.3 m/s ² , incertidumbre (K) 1.5 m/s ²

Declaración de conformidad CE
DIRECTIVA DE MÁQUINAS



Atornillador con almacenamiento BDCSFL20
Black & Decker declara que los productos descritos en "datos técnicos" cumplen las siguientes normas:
2006/42/CE, EN62841-1:2015, EN62841-2-2:2014.
Estos productos también cumplen las Directivas 2014/30/UE y 2011/65/UE.

Para más información, póngase en contacto con Black & Decker en la siguiente dirección o consulte la parte posterior del manual.

El abajo firmante es el responsable de la compilación del archivo técnico y realiza esta declaración en representación de Black & Decker.

Ray Laverick
Director de Ingeniería
Black & Decker Europa, 210 Bath Road, Slough,
Berkshire, SL1 3YD
Reino Unido
18/05/2017

Garantía

Black & Decker confía en la calidad de sus productos y ofrece a los consumidores una garantía de 24 meses a partir de la fecha de compra. Esta garantía es adicional a sus derechos legales y no los menoscaba en modo alguno. La garantía es válida dentro de los territorios de los Estados Miembros de la Unión Europea y del Área de Libre Comercio Europea.

Para reclamar la garantía, la reclamación se debe presentar de conformidad con las condiciones de Black & Decker. Tendrá que adjuntar un justificante de compra al vendedor o al agente técnico autorizado. Las condiciones de la garantía de 2 años de Black & Decker y la ubicación de su agente técnico autorizado más cercano se pueden obtener en Internet en www.2helpU.com o poniéndose en contacto con su oficina local de Black & Decker en la dirección que se indica en este manual.

Visite nuestro sitio web www.blackanddecker.co.uk para registrar su nuevo producto Black & Decker y recibir noticias sobre nuevos productos y ofertas especiales.

Guarde todos os avisos e instruções para futura referência. A expressão "ferramenta eléctrica" utilizada a seguir refere-se a ferramentas eléctricas com ligação à corrente eléctrica (com cabo) ou com bateria (sem fios).

- Segurança na área de trabalho**
 - Mantenha a área de trabalho limpa e bem iluminada.** As áreas desorganizadas ou escuras são propensas a acidentes.
 - Não trabalhe com ferramentas eléctricas em áreas com risco de explosão, nas quais se encontrem líquidos, gases ou poeiras inflamáveis.** As ferramentas eléctricas criam faíscas que poderão inflamar estas poeiras ou vapores.
 - Mantenha crianças e outras pessoas afastadas durante a utilização da ferramenta eléctrica.** As distrações podem levar à perda do controlo da ferramenta.

- Segurança eléctrica**
 - As fichas da ferramenta eléctrica devem caber na tomada. Nunca modifique a ficha de forma alguma. Não utilize fichas adaptadoras com ferramentas eléctricas ligadas à terra.** As fichas não modificadas e as tomadas compatíveis reduzem o risco de choque eléctrico.
 - Evite que o corpo entre em contacto com superfícies ligadas à terra, como tubos, radiadores, fogões e frigoríficos.** Se o seu corpo estiver "ligado" à terra, o risco de choque eléctrico é maior.
 - As ferramentas eléctricas não podem ser expostas a chuva nem humidade.** A entrada de água numa ferramenta eléctrica aumenta o risco de choque eléctrico.
 - Manuseie o cabo com cuidado. Nunca o utilize para transportar, puxar ou desligar a ferramenta eléctrica. Mantenha o cabo afastado de fontes de calor, substâncias oleosas, extremidades aguçadas ou peças móveis.** Os cabos danificados ou emaranhados aumentam o risco de choque eléctrico.
 - Quando trabalhar com uma ferramenta eléctrica ao ar livre, utilize um cabo de extensão apropriado para esse fim.** A utilização de um cabo adequado para uso ao ar livre reduz o risco de choque eléctrico.
 - Se for inevitável trabalhar com uma ferramenta eléctrica num local húmido, utilize um dispositivo de corrente residual (RCD).** A utilização de um DCR reduz o risco de choque eléctrico.

- Segurança pessoal**
 - Mantenha-se alerta, tenha atenção ao que está a fazer e seja cuidadoso quando trabalhar com a ferramenta eléctrica. Não utilize uma ferramenta eléctrica quando estiver cansado ou sob o efeito de drogas, álcool ou**

Instruções de segurança

Avisos de segurança gerais para ferramentas eléctricas



Atenção! Leia todos os avisos de segurança e todas as instruções. O não cumprimento dos seguintes avisos e instruções pode resultar em choque eléctrico, incêndio e/ou graves lesões.

medicamentos. Um momento de distração durante a utilização de ferramentas eléctricas poderá resultar em ferimentos graves.

- b. **Utilize equipamento de protecção pessoal. Use sempre uma protecção ocular.** O equipamento de protecção, como, por exemplo, uma máscara contra o pó, sapatos de segurança antiderrapantes, um capacete de segurança ou uma protecção auditiva, usado nas condições apropriadas, reduz o risco de ferimentos.
 - c. **Evite arranques involuntários. Certifique-se de que o botão está desligado antes de ligar a ferramenta à corrente eléctrica e/ou à bateria, e antes de levantar ou transportar a ferramenta.** Se mantiver o dedo sobre o interruptor ao transportar ferramentas eléctricas ou se as ligar à fonte de alimentação com o interruptor ligado, isso poderá dar origem a acidentes.
 - d. **Retire eventuais chaves de ajuste ou chaves de fendas antes de ligar a ferramenta eléctrica.** Uma chave de fenda ou de ajuste que se encontre numa peça em rotação da ferramenta eléctrica poderá causar lesões.
 - e. **Não tente chegar a pontos fora do alcance. Mantenha sempre os pés bem apoiados e um equilíbrio apropriado.** Desta forma, será mais fácil controlar a ferramenta eléctrica em situações inesperadas.
 - f. **Use vestuário adequado. Não use roupa larga ou joias. Mantenha o cabelo, a roupa e as luvas afastados das peças móveis.** As roupas largas, as joias ou o cabelo comprido podem ficar presos nestas peças.
 - g. **Se for prevista a montagem de dispositivos de extracção e recolha de poeiras, assegure-se de que estão ligados e que são utilizados de forma correcta.** A utilização de dispositivos de extração de partículas pode reduzir os riscos relacionados com as mesmas.
 - h. **Não permita que o facto de estar familiarizado com a utilização frequente das ferramentas o torne complacente e ignore os princípios de segurança da ferramenta.** Uma acção irreflectida pode causar ferimentos numa fracção de segundos.
4. **Utilização e manutenção da ferramenta eléctrica**
 - a. **Não sobrecarregue a ferramenta eléctrica. Utilize a ferramenta eléctrica correcta para o seu trabalho.** A ferramenta eléctrica adequada irá efetuar o trabalho de um modo mais eficiente e seguro se for utilizada de acordo com a capacidade para a qual foi concebida.
 - b. **Não utilize a ferramenta eléctrica se o interruptor não puder ser ligado nem desligado.** Qualquer ferramenta eléctrica que não possa ser controlada através do interruptor de alimentação é perigosa e tem de ser reparada.
 - c. **Desligue a ficha da tomada e/ou a bateria da ferramenta eléctrica antes de proceder a ajustes, substituir acessórios ou guardar ferramentas**

eléctricas. Estas medidas de segurança preventivas reduzem o risco de ligar a ferramenta eléctrica acidentalmente.

- d. **Mantenha as ferramentas eléctricas que não estiverem a ser utilizadas fora do alcance das crianças. Não permita que a ferramenta eléctrica seja utilizada por pessoas não familiarizadas com a mesma ou que não tenham lido estas instruções.** As ferramentas eléctricas são perigosas nas mãos de pessoas que não possuam as qualificações necessárias para as manusear.
 - e. **Proceda à manutenção das ferramentas eléctricas. Verifique se as partes móveis estão desalinhasadas ou bloqueadas, se existem peças partidas ou qualquer outra situação que possa afetar o funcionamento das ferramentas eléctricas. Se a ferramenta eléctrica estiver danificada, esta não deve ser utilizada até que seja reparada.** Muitos acidentes têm como principal causa ferramentas eléctricas com uma manutenção insuficiente.
 - f. **Mantenha as ferramentas de corte afiadas e limpas.** As ferramentas de corte sujeitas a uma manutenção adequada, com arestas de corte afiadas, emperram com menos frequência e controlam-se com maior facilidade.
 - g. **Utilize a ferramenta eléctrica, acessórios e peças de ferramenta de acordo com estas instruções, considerando as condições de trabalho e a tarefa a ser executada.** A utilização da ferramenta eléctrica para fins diferentes dos previstos poderá resultar em situações perigosas.
 - h. **Mantenha os punhos e as pegas de fixação secos, limpos e sem qualquer óleo ou gordura.** Se tiver as mãos escorregadias e as superfícies com gordura, isso não permite um manuseamento e controlo seguros da ferramentas em situações inesperadas.
5. **Utilização e cuidados a ter com a ferramenta com baterias**
 - a. **Carregue apenas com o carregador especificado pelo fabricante.** Um carregador adequado para um tipo de bateria pode causar um incêndio se for utilizado com outra bateria.
 - b. **Utilize ferramentas eléctricas apenas com baterias específicas.** A utilização de outras baterias pode dar origem a risco de danos e incêndio.
 - c. **Quando não utilizar a bateria, mantenha-a afastada de outros objectos metálicos, tais como cliques para papel, moedas, chaves, pregos, parafusos ou outros pequenos objectos metálicos que permitam fazer a ligação de um terminal para outro.** O curto-circuito de terminais das baterias pode causar queimaduras ou incêndio.

- d. **Em condições abusivas, pode derramar líquido da bateria, devendo evitar o contacto. Se tocar acidentalmente no líquido, lave bem com água. Se o líquido entrar em contacto com os olhos, consulte um médico.** O líquido derramado da bateria pode causar irritação ou queimaduras.
 - e. **Não utilize uma bateria ou uma ferramenta que esteja danificada ou modificada.** As baterias danificadas ou modificadas podem ter um comportamento imprevisível, podendo dar origem a um incêndio, explosão ou risco de ferimentos.
 - f. **Não exponha a bateria ou ferramenta ao fogo ou excesso de temperatura.** A exposição ou uma temperatura superior a 130 °C pode dar origem a uma explosão.
 - g. **Siga todas as instruções de carregamento e não carregue a bateria ou a ferramenta fora da gama de temperaturas especificadas nas instruções.** Se o carregamento não for efectuado correctamente ou se a temperatura não estiverem de acordo com o limite especificado, a bateria pode ficar danificada e há um maior risco de incêndio.
6. **Assistência**
 - a. **A sua ferramenta eléctrica só deve ser reparada por pessoal qualificado e só devem ser colocadas peças sobressalentes originais.** Desta forma, é garantida a segurança da ferramenta eléctrica.
 - b. **Nunca repare baterias danificadas.** A reparação de baterias só deve ser efectuada pelo fabricante ou por fornecedor de serviços autorizado.

Avisos de segurança adicionais para ferramentas eléctricas



Atenção! Avisos de segurança adicionais para aparafusadoras e chaves de fenda de percussão

- ◆ **Segure a ferramenta eléctrica pelas superfícies isoladas específicas para o efeito ao efectuar uma operação em que o parafuso de fixação possa entrar em contacto com fios ocultos.** Os agrafos que entrem em contacto com um fio com tensão eléctrica poderão fazer com que as peças de metal expostas da ferramenta conduzam electricidade e electrocutem o utilizador.
- ◆ **Utilize grampos ou outro sistema prático para fixar e apoiar a peça numa plataforma estável.** Segurar a peça com a mão ou contra o corpo pode causar instabilidade e perda de controlo.
- ◆ **A utilização adequada é descrita neste manual de instruções.** A utilização de qualquer acessório ou a realização de qualquer operação com esta ferramenta

que não se inclua no presente manual de instruções poderá representar um risco de ferimentos e/ou danos materiais.

Segurança de terceiros

- ◆ **Não permita que crianças, pessoas com capacidade físicas, sensoriais ou mentais reduzidas ou falta de experiência e conhecimentos ou não familiarizadas com estas instruções utilizem a máquina.** Os regulamentos locais podem restringir a idade do operador.
- ◆ **Nunca utilize a máquina enquanto estiverem pessoas, em especial crianças, ou animais nas proximidades.**

Avisos de segurança adicionais para ferramentas eléctricas



Atenção! Avisos de segurança adicionais para tochas

- ◆ **Nunca tente retirar ou substituir quaisquer peças que não as especificadas neste manual.**
- ◆ **Não utilize o aparelho sem uma lente instalada ou com uma lente danificada.**
- ◆ **Nunca olhe directamente para a luz, nem direcione a luz para os olhos de outras pessoas.**



Atenção! Perigo de incêndio. Não utilize a luz indicadora de funcionamento ou o carregador perto de líquidos inflamáveis ou ambientes com fumo ou explosivos. As faíscas internas podem provocar fumo, causando ferimentos.

- ◆ **Não exponha o indicador luminoso ou o carregador a áreas molhadas ou húmidas.** Não exponha o indicador luminoso ou o carregador a chuva ou neve.
- ◆ **Não lave o indicador luminoso ou o carregador com água nem permita a entrada de água dentro do indicador luminoso ou do carregador.** As faíscas internas podem provocar fumo, causando ferimentos.



Cuidado! Quando não estiver a ser utilizada, coloque a ferramenta de lado numa superfície estável, onde não haja risco de queda ou de tropeçar. Algumas ferramentas com baterias grandes ficam na vertical dentro da bateria, mas podem ser facilmente derrubadas.

- ◆ **Nunca olhe directamente para a fonte de luz através de instrumentos ópticos.**

Riscos residuais

Podem surgir riscos residuais adicionais durante a utilização da ferramenta, que poderão não constar nos avisos de segurança incluídos. Estes riscos podem resultar de má utilização, uso prolongado, etc. Mesmo com o cumprimento dos regulamentos de segurança relevantes e a implementação de dispositivos de segurança,

alguns riscos residuais não podem ser evitados. Estes incluem:

- ◆ Ferimentos causados pelo contacto com peças em rotação/movimento.
- ◆ Ferimentos causados durante a troca de peças, lâminas ou acessórios.
- ◆ Ferimentos causados pela utilização prolongada de uma ferramenta. Quando utilizar uma ferramenta durante períodos prolongados, certifique-se de que faz pausas regularmente.
- ◆ Danos auditivos.
- ◆ Problemas de saúde causados pela inalação de poeiras resultantes da utilização da ferramenta (exemplo: trabalhos em madeira, especialmente carvalho, faia e MDF).

Vibração

Os valores de emissão de vibração declarados na secção de dados técnicos e na declaração de conformidade foram medidos de acordo com o método de teste padrão fornecido pela EN 62841 e podem ser utilizados para comparar ferramentas. O valor de emissão de vibração declarado pode ainda ser utilizado numa avaliação preliminar de exposição. **Atenção!** O valor de emissão de vibração durante a utilização real da ferramenta eléctrica pode ser diferente do valor declarado, dependendo da forma como a ferramenta é utilizada. O nível de vibração pode aumentar acima do nível indicado. Quando avaliar a exposição da vibração para determinar as medidas de segurança exigidas pela Diretiva 2002/44/CE para proteger pessoas que utilizem regularmente ferramentas eléctricas na sua atividade profissional, deve ser considerada uma estimativa de exposição de vibração, as condições reais de utilização e o modo de utilização da ferramenta, incluindo ainda todas as partes do ciclo de funcionamento, como os períodos de inatividade e espera da ferramenta, para além do tempo de funcionamento.

Etiquetas colocadas na ferramenta

Os seguintes símbolos, assim como o código de data, estão indicados na ferramenta:



Atenção! Para reduzir o risco de ferimentos, o utilizador deve ler o manual de instruções.

Instruções de segurança adicionais para baterias e carregadores

Baterias

- ◆ Nunca tente abrir a bateria, seja qual for o motivo.
- ◆ Não exponha as baterias à água.
- ◆ Não armazene em locais onde a temperatura possa exceder os 40 °C.
- ◆ Carregue apenas a temperaturas ambiente entre 10 °C e 40 °C.

- ◆ Carregue apenas com o carregador fornecido com a ferramenta.
- ◆ Ao eliminar as baterias, siga as instruções indicadas na secção "Protecção do ambiente".



Não tente carregar baterias danificadas.

Carregadores

- ◆ Utilize o seu carregador BLACK+DECKER apenas para carregar a bateria da ferramenta com que foi fornecido. Outras baterias podem rebentar, provocando ferimentos e danos.
- ◆ Nunca tente carregar baterias não recarregáveis.
- ◆ Substitua os cabos defeituosos imediatamente.
- ◆ Não exponha o carregador à água.
- ◆ Não abra o carregador.
- ◆ Não manipule o interior do carregador.



O carregador deverá ser utilizado apenas em espaços interiores.



Antes da utilização, leia o manual de instruções.

Segurança eléctrica



O seu carregador tem isolamento duplo. Por esse motivo, não precisa de ligação à terra. Verifique sempre se a tensão de alimentação corresponde à tensão indicada na placa sinalética. Nunca tente substituir a unidade do carregador por uma tomada de alimentação normal.

- ◆ Se o cabo de alimentação estiver danificado, terá de ser substituído pelo fabricante ou por um Centro de Assistência autorizado BLACK+DECKER, de modo a evitar lesões.

Componentes

Esta ferramenta inclui algumas ou todas as características seguintes.

1. Botão de gatilho para ligar/desligar
2. Corrediça de avanço/recuo
3. Suporte de brocas
4. Botão de ajuste do punho
5. Punho
6. Conector do carregador
7. Lanterna
8. Botão de lanterna

Carregar a ferramenta (Fig. A)

A bateria precisa de ser carregada antes da primeira utilização e sempre que não conseguir produzir energia suficiente

em trabalhos anteriormente feitos sem dificuldade. A bateria pode aquecer durante o carregamento. Isto é normal e não indica um problema.

Atenção! Utilize apenas com o carregador fornecido para carregar a ferramenta.

- ◆ Para carregar a bateria, introduza a ficha do carregador (10) no conector (6).
- ◆ Ligue o carregador.
- ◆ Deixe a ferramenta ligada ao carregador durante 10 horas.

O carregador poderá emitir um zumbido e aquecer durante o carregamento. Este comportamento é normal, não indicando um problema.

Atenção! Não carregue a bateria a temperaturas ambiente inferiores a 10 °C ou superiores a 40 °C. Temperatura de carregamento recomendada: aproximadamente 24 °C.

Colocar e retirar uma ponta ou bocal da aparafusadora (Fig. B)

Atenção! Antes de retirar ou instalar acessórios, certifique-se de que a ferramenta está bloqueada para impedir a activação accidental do interruptor de funcionamento.

- ◆ Para encaixar uma ponta de aparafusadora (9), empurre-a para dentro do porta-pontas (3) até encaixar.
- ◆ Para remover uma ponta de aparafusadora, puxe-a com firmeza do porta pontas.

Utilização

Atenção! Não altere o ritmo de funcionamento da ferramenta. Não sobrecarregue.

Utilizar o insuflador (Fig. C)

- ◆ Pressione o botão de lanterna (8) para utilizar a lanterna (7).
- ◆ Pressione o botão de lanterna (8) de novo para desligar a lanterna (7).

Ligar e desligar (Fig. D)

- ◆ Para ligar a ferramenta, mantenha premido o botão de gatilho (1).
- ◆ Para desligar a ferramenta, solte o botão de gatilho (1).

Seleccionar a direcção de rotação (Fig. E)

Para aparafusar e perfurar furos piloto, utilize a rotação para a frente (no sentido dos ponteiros do relógio). Para des-
parafusar ou remover uma broca encravada, utilize a rotação para trás (no sentido contrário ao dos ponteiros do relógio).

- ◆ Para seleccionar a rotação para a frente, empurre a patilha para a frente/para trás (2) para a posição da direita.
- ◆ Para seleccionar a rotação para trás, empurre a patilha para a frente/para trás (2) para a posição da esquerda.
- ◆ Para bloquear a ferramenta, coloque a corrediça de avanço/recuo (2) na posição central.

Ajustar o punho (Fig. F)

Para uma versatilidade ideal, o punho pode ser definido (5) para três posições diferentes.

- ◆ Prima o botão de ajuste do punho (4).
- ◆ Mova a base da serra (5) para a posição pretendida.
- ◆ Prima o botão de ajuste do punho (4).

Manutenção

A sua ferramenta BLACK+DECKER foi concebida para funcionar durante muito tempo com um mínimo de manutenção. Uma utilização continuamente satisfatória depende de uma manutenção apropriada da ferramenta e de uma limpeza regular.

O seu carregador não necessita de manutenção para além da limpeza regular.

Atenção! Antes de ser realizada qualquer operação de manutenção na ferramenta, remova a bateria da ferramenta. Desligue o carregador antes de o limpar.

- ◆ Limpe regularmente as saídas de ventilação da ferramenta e o carregador com uma escova suave ou um pano seco.
- ◆ Limpe regularmente o compartimento do motor com um pano húmido. Não utilize produtos de limpeza abrasivos ou à base de solventes.
- ◆ Bata com regularidade no porta pontas para remover a sujidade do interior.

Protecção do ambiente



Faça uma recolha de lixo seletiva. Os produtos e as baterias assinalados com este símbolo não devem ser eliminados juntamente com o lixo doméstico normal.

Os produtos e as baterias contêm materiais que podem ser recuperados ou reciclados, reduzindo assim a necessidade de matérias-primas.

Recicle os produtos eléctricos e as baterias de acordo com as disposições locais. Estão disponíveis mais informações em www.2helpU.com

Dados técnicos

		BDCSFL20 H1
Tensão	V _{cc}	3,6
Velocidade sem carga	Min. ⁻¹	180
Binário máx. (Classificação PTI)	Nm	5,5
Tipo de bateria		Iões de lítio
Capacidade da bateria***	Ah	1,5
Peso	kg	0,35

Carregador		9062787*-01
Tensão de entrada	V _{AC}	100 - 240
Voltagem de Saída	V _{CC}	15
Corrente	mA	150
Tempo de carga aprox.	Horas	10

Nível de pressão acústica de acordo com a norma EN 62841:		
Pressão acústica (L _{pa})	53 dB(A), variabilidade (K) 3 dB(A)	
Potência acústica (L _{wa})	64 dB(A), variabilidade (K) 3 dB(A)	

Valores totais de vibração (soma vectores triax) de acordo com a EN 62841:		
Aparafusar sem impacto (a _{h,lg})	0,3 m/s ² , variabilidade (K) 1,5 m/s ²	

Declaração de conformidade CE DIRECTIVA "MÁQUINAS"



Aparafusadora com compartimento de arrumação BDCSFL20
A Black & Decker declara que os produtos descritos nos
"dados técnicos" estão em conformidade com:
2006/42/CE, EN62841-1:2015, EN62841-2-2:2014.
Estes produtos estão também em conformidade com a directi-
va 2014/30/UE e 2011/65/UE.

Para obter mais informações, contacte a Black & Decker
através do endereço seguinte ou consulte o verso do manual.
O signatário é responsável pela compilação do ficheiro técni-
co e efetua esta declaração em nome da Black & Decker.

Ray Laverick
Director de Engenharia
Black & Decker Europe, 210 Bath Road, Slough,
Berkshire, SL1 3YD
Reino Unido
17/05/2017

Garantia

A Black & Decker confia na qualidade dos seus produtos
e oferece aos clientes uma garantia de 24 meses a partir
da data de compra. Esta garantia é um complemento dos
seus direitos estabelecidos por lei, não os prejudicando de
forma alguma. A garantia é válida nos Estados-membros da
União Europeia e nos países-membros da Zona Europeia de
Comércio Livre.

Para accionar a garantia, esta deve estar em conformidade
com os termos e condições da Black & Decker e terá de apre-
sentar comprovativos de compra ao vendedor ou a um agente
de reparação autorizado. Os termos e condições da garantia
de 2 anos da Black & Decker e a localização do agente de

reparação autorizado mais próximo podem ser obtidos na
Internet em www.2helpU.com ou contactando uma filial da
Black & Decker, cuja morada está indicada neste manual.

Visite o nosso Website www.blackanddecker.co.uk para reg-
istar o novo produto Black & Decker e manter-se atualizado
relativamente a novos produtos e ofertas especiais.

SVENSKA

(Översättning av
originalanvisningarna)

Avsedd användning

Din BLACK+DECKER™ BDCSFL20 skruvdragare har desig-
nats för skruvdragningsarbeten. Detta verktyg är endast avsett
för konsumentbruk.

Säkerhetsinstruktioner

Allmänna säkerhetsanvisningar för elverktyg



**Varning! Läs alla säkerhetsvarningar och
instruktioner.** Fel som uppstår till följd av att
varningarna och instruktionerna som listas nedan
inte följts kan orsaka elstöt, brand och/eller
allvarliga kroppsskador.

**Spara alla säkerhetsföreskrifter och anvisningar för
framtida bruk.** Begreppet "Elverktyg" i alla varningar som
listas nedan avser nätdrivna elverktyg (med nätsladd) och
batteridrivna elverktyg (sladdlösa).

1. Säkerhet på arbetsplatsen

- Se till att arbetsplatsen är obelamrad och välbelyst.**
Belamrade och mörka områden inbjuder till olyckor.
- Använd inte elverktyget i explosionsfarlig omgivning,
t.ex. i närheten av brännbara vätskor, gaser eller
damm.** Elverktyg skapar gnistor som kan antända damm
eller ångor.
- Håll barn och andra personer på avstånd när ett
elverktyg används.** Distractioner kan göra att du förlorar
kontrollen.

2. Elsäkerhet

- Elverktygets stickkontakt måste passa i eluttaget.
Modifiera aldrig kontakten på något sätt. Använd inga
adapterkontakter tillsammans med jordade elverktyg.**
Icke modifierade kontakter och passande uttag minskar
risken för elektrisk stöt.
- Undvik kroppskontakt med jordade ytor såsom rör,
radiatorer, spis och kylskåp.** Det finns en ökad risk för
elektrisk stöt om din kropp är jordansluten eller jordad.

- Skydda elverktyget mot regn och väta.** Vatten som
kommer in i ett elverktyg ökar risken för elektrisk stöt.
- Hantera nätsladden varsamt. Använd aldrig sladden
för att bära, dra eller koppla bort elverktyget från
uttaget. Håll sladden borta från värme, olja, skarpa
kanter eller rörliga delar.** Skadade eller tilltrasslade
sladdar ökar risken för elektrisk stöt.
- Använd endast förlängningssladdar som är godkända
för utomhusbruk när du arbetar med elverktyg
utomhus.** Användning av en sladd som är lämplig för
utomhusbruk minskar risken för elektriska stötar.
- Om du måste använda ett elverktyg på en fuktig plats
ska du använda jordfelsbrytare.** Användning av en
jordfelsbrytare minskar risken för elektrisk stöt.

3. Personlig säkerhet

- Var uppmärksam, se på vad du gör och använd
elverktyget med förnuft. Använd inte ett elverktyg när
du är trött eller påverkad av droger, alkohol eller
mediciner.** Ett ögonblicks ouppmärksamhet när du
arbetar med elektriska verktyg kan leda till allvarliga
personskador.
- Använd personlig skyddsutrustning. Använd alltid
skyddsglasögon.** Skyddsutrustning såsom
dammsfilterskydd, halksäkra säkerhetsskor, skyddshjälm
eller hörselskydd som används för lämpliga förhållanden
minskar personskador.
- Förhindra oavsiktlig start. Kontrollera att
strömbrytaren står i avstängt läge innan du ansluter
verktyget till elnätet eller sätter i batteriet, samt innan
du tar upp eller bär verktyget.** Att bära elektriska verktyg
med fingret på strömbrytaren eller att koppla strömmen till
elektriska verktyg när strömbrytaren är på leder till olyckor.
- Ta bort alla inställningsnycklar innan elverktyget slås
på.** Ett verktyg eller en nyckel som har lämnats kvar på en
roterande del av det elektriska verktyget kan orsaka
kroppsskador.
- Sträck dig inte för långt. Ha ordentligt fotfäste och
balans hela tiden.** Detta möjliggör bättre kontroll av
elverktyget i oväntade situationer.
- Bär lämpliga kläder. Bär inte lösa kläder eller
smycken. Håll hår, beklädnad och handskar borta från
delar i rörelse. Lösa kläder, smycken eller långt hår kan
fastna i rörliga delar.**
- Om elverktyget har dammuppsugnings- och
uppsamlingsutrustning kontrollerar du att den är
monterad och används på korrekt sätt.** Användning av
dammuppsamling kan minska dammrelaterade risker.
- Låt inte förtrogenheten som uppstått genom
regelbunden användning av verktyg låta dig bli
självsäker och ignorera verktygets säkerhetsprinciper.**
En oförsiktig handling kan orsaka allvarliga skador under
bråkdelen av en sekund.

- Användning och skötsel av elverktyg**
 - Överbelasta inte elverktyget. Använd rätt elverktyg för
ditt arbete.** Det korrekta elverktyget gör arbetet bättre och
säkrare vid den hastighet för vilket det konstruerades.
 - Använd inte elverktyget om det inte kan startas och
stängas av med strömbrytaren.** Ett elverktyg som inte
kan kontrolleras med strömbrytaren är farligt och måste
repareras.
 - Dra stickproppen ur vägguttaget och/eller ta ut
batteriet ur elverktyget innan inställningar görs,
tillbehörskomponenter byts ut eller elverktyget ställs undan.**
Sådana förebyggande säkerhetsåtgärder minskar risken
att oavsiktligt starta elverktyget.
 - Förvara elverktyg utom räckhåll för barn och låt inte
personer som inte är vana vid elverktyget eller som
inte läst denna bruksanvisning använda det.**
Elverktyg är farliga i händerna på ovana användare.
 - Underhåll elverktyg. Kontrollera att rörliga
komponenter fungerar felfritt och inte kärvar, att
komponenter inte gått sönder eller skadats och inget
annat föreligger som kan påverka elverktygets
funktion. Om det är skadat, se till att elverktyget blir
reparerat före användning.** Många olyckor orsakas av
dåligt underhållna elektriska verktyg.
 - Håll kapverktyg skarpa och rena.** Korrekt underhållna
kapverktyg med vassa skär är mindre troliga att de fastnar
och är lättare att kontrollera.
 - Använd elverktyg, tillbehör, bits m.m. enligt dessa
anvisningar och beakta arbetsvillkoren och det arbete
som ska utföras.** Användning av elverktyget för andra
uppgifter än vad som avsetts kan resultera i farliga
situationer.
 - Håll handtagen och greppytorna torra, rena och fria
från olja och fett.** Håll handtag och greppytorna fria från
säker hantering och kontroll av verktyget i oväntade
situationer.
- Användning och skötsel av batteridrivet verktyg**
 - Ladda endast med den laddare som är specificerad av
tillverkaren.** En laddare som passar en batterityp kan
medföra brandrisk om den används ihop med ett annat
batteri.
 - Använd endast de batteripaket som är speciellt
avsedda för elverktyget.** Användning av andra
batteripaket kan leda till personskador eller eldsvåda.
 - När batteriet inte används ska du hålla det åtskilt från
metallföremål som gem, mynt, nycklar, spik, skruvar
och andra små metallföremål som kan orsaka
kortslutning mellan batteriets poler.** Kortslutning av
batteripolerna kan leda till brännskador eller eldsvåda.
 - Under olämpliga förhållanden kan vätska spruta ut
från batteriet. Undvik kontakt. Vid oavsiktlig kontakt,
spola med vatten. Om vätskan kommer i kontakt med**

ögonen, sök också läkarhjälp. Vätska som sprutar ur batteriet kan orsaka sveda och brännskador.

- e. **Använd inte batteripaket eller verktyg som är skadade eller modifierade.** Skadade eller modifierade batterier kan uppträda oväntat och det kan resultera i brand, explosion eller skador.
- f. **Utsätt inte batteripaket eller verktyg för brand eller höga temperaturer.** Exponering för brand eller temperaturer över 129 °C kan orsaka en explosion.
- g. **Följ laddningsinstruktionerna och ladda inte batteripaketet eller verktyget utanför det temperaturområde som specificeras i instruktionerna.** Felaktig laddning eller vid temperaturer utanför den specificerade området kan skada batteriet och öka risken för brand.
6. **Service**
- a. **Låt en kvalificerad reparatör som bara använder originaldelar utföra service på elverktyget.** Detta säkerställer att elverktygets säkerhet bibehålls.
- b. **Gör aldrig service på skadade batteripaket.** Service på batteripaket skall endast utföras av tillverkaren eller auktoriserad servicepersonal.

Ytterligare säkerhetsanvisningar för elverktyg



Varning! Ytterligare säkerhetsanvisningar för skruvdragare och slagskruvdragare

- ◆ **Håll elverktyget i isolerade greppytter under arbete där verktyget kan komma i kontakt med strömförande ledningar.** Fästdon som kommer i kontakt med en strömförande ledning kan göra att exponerade metalldelar hos elverktyget blir strömförande och kan ge användaren en elektrisk stöt.
- ◆ **Använd klämmor eller något annat praktiskt sätt att stödja arbetsstycket vid ett stabilt underlag.** Att hålla arbetet för hand eller mot kroppen är instabilt och kan göra att du förlorar kontrollen.
- ◆ **Avsedd användning beskrivs i denna bruksanvisning.** Om andra tillbehör eller tillsatser används, eller om någon annan åtgärd än de som rekommenderas i den här bruksanvisningen utförs med verktyget kan personer och/eller egendom ta skada.

Andras säkerhet

- ◆ **Låt aldrig barn, personer med reducerad sensorisk eller mental kapacitet eller utan erfarenhet eller kunskap eller personer som är obekant med dessa instruktioner använda maskinen, lokala bestämmelser kan begränsa åldern hos operatören.**
- ◆ **Använd inte maskinen i närheten av andra människor, främst barn eller husdjur.**

Ytterligare säkerhetsanvisningar för elverktyg



Varning! Ytterligare säkerhetsanvisningar för ficklampor

- ◆ **Försök aldrig avlägsna eller byta ut andra delar än de som anges i den här bruksanvisningen.**
- ◆ **Använd inte apparaten utan lins eller med skadad lins.**
- ◆ **Titta aldrig direkt in i skenet, och rikta aldrig skenet direkt i ögonen på en annan person.**



Varning! Brandfara. Du ska inte använda arbetsbelysningen eller laddaren i explosiva miljöer, så som i närhet av lättantändliga vätskor eller gaser. Interna gnistor kan orsaka brand och därmed personsador.

- ◆ **Använd inte arbetsbelysningen eller laddaren i våta eller fuktiga utrymmen.** Utsätt inte arbetsbelysningen eller laddaren för regn eller snö.
- ◆ **Tvätta inte arbetsbelysningen eller laddaren med vatten eller låt vatten tränga in i arbetsbelysningen eller laddaren.** Sänk aldrig ner arbetsbelysningen i vatten.



Försiktighet! När verktyget inte används placerar du den liggande på sidan på en stadig yta där den inte riskerar att falla och där ingen kan trampa på den. Vissa verktyg med stora batteripaket kan stå upprätt på batteripaketet men lätt kan vältras.

- ◆ **Titta aldrig rakt med optiska instrument in i ljuskällan.**

Övriga risker

Ytterligare risker som inte finns med i de bifogade säkerhetsanvisningarna kan uppstå när verktyget används. Dessa risker kan uppstå vid felaktig eller långvarig användning, etc. Även om alla relevanta säkerhetsanvisningar följs och säkerhetsanordningar används kan vissa ytterligare risker inte undvikas. Dessa omfattar:

- ◆ **Skador orsakade av att roterande/rörliga delar vidrörs.**
- ◆ **Skador som uppstår vid byte av delar, blad eller tillbehör.**
- ◆ **Skador som orsakas av långvarig användning av ett verktyg.** Se till att regelbundet ta vilopausar när du använder ett verktyg under en längre period.
- ◆ **Hörselnedsättning.**
- ◆ **Hälsorisker orsakade av inandning av damm när redskapet används (exempel: arbete med trä, särskilt ek, bok och MDF.)**

Vibrationer

De vibrationsvärden som anges i avsnitten Tekniska data och deklarationen om överensstämmelse har uppmätts i enlighet med en standardtestmetod föreskriven i EN62841 och kan användas för jämförelse med andra verktyg. Det angivna vibrationsvärdet kan även användas för en preliminär bedömning av exponeringen.

Varning! Vibrationsvärdet under faktisk användning av elverktyget kan skilja sig från det uppgivna värdet beroende på hur verktyget används. Vibrationsnivån kan överstiga den uppgivna nivån.

Vid uppskattningar av exponering för vibrationer i syfte att bedöma vilka säkerhetsåtgärder som är nödvändiga enligt 2002/44/EG för att skydda personer som regelbundet använder elverktyg i arbetet ska man utgå från de faktiska omständigheter under vilka elverktyget används och sättet på vilket det används. Bedömningen ska även ta hänsyn till alla moment i arbetscykeln, t.ex. när verktyget är avstängt och när det går på tomgång såväl som när det faktiskt används.

Etiketter på verktyget

Följande symboler tillsammans med datumkoden visas på verktyget:



Varning! Läs bruksanvisningen före användning för att minska risken för personsador.

Ytterligare säkerhetsinstruktioner för batterier och laddare

Batterier

- ◆ **Försök aldrig öppna batteriet.**
- ◆ **Utsätt inte batteriet för vatten.**
- ◆ **Förvara inte apparaten på platser där temperaturen kan bli högre än 40 °C.**
- ◆ **Ladda endast vid temperaturer mellan 10 °C och 40 °C.**
- ◆ **Ladda endast med hjälp av laddaren som medföljer verktyget.**
- ◆ **Följ instruktionerna som anges i avsnittet "Skydda miljön" när du kastar batterierna.**



Försök inte ladda skadade batterier.

Laddare

- ◆ **Använd endast laddaren från BLACK+DECKER för att ladda batteriet i det apparat som laddaren levererades med.** Andra batterier kan spricka och orsaka personsador och andra skador.
- ◆ **Försök aldrig ladda batterier som inte är uppladdningsbara.**
- ◆ **Byt defekta sladdar omgående.**
- ◆ **Utsätt inte laddaren för vatten.**
- ◆ **Öppna inte laddaren.**
- ◆ **Gör ingen åverkan på laddaren.**



Laddaren är endast avsedd för inomhusbruk.



Läs bruksanvisningen före användning.

Elsäkerhet



Eftersom laddaren är dubbelisolerad behövs ingen jordledare. Kontrollera alltid att nätspänningen överensstämmer med spänningen på typskylten. Försök aldrig byta ut laddaren mot en vanlig nätkontakt.

- ◆ **Om nätsladden är skadad måste den bytas ut av tillverkaren eller ett auktoriserat BLACK+DECKER servicecenter för att undvika fara.**

Funktioner

Detta verktyg har några eller samtliga av följande funktioner.

1. Strömbytare
2. Framåt-/bakåttreglage
3. Bitshållare
4. Justeringsknapp för handtaget
5. Handtag
6. Laddningsuttag
7. Ficklampa
8. Knapp ficklampa

Laddning av verktyg (bild A)

Batteriet måste laddas innan det används för första gången samt varje gång det inte ger tillräckligt hög effekt för arbeten som tidigare enkelt klarades av. Batteriet kan bli varmt när det laddas. Det är normalt och innebär inte att något är fel.

Varning! Använd endast laddaren som medföljer vid laddning av verktyget.

- ◆ **När du ska ladda batteriet sätter du i laddarens kontakt (6a) i anslutningen (6).**
- ◆ **Anslut laddaren.**
- ◆ **Låt verktyget laddas i 10 timmar.**

Laddaren kan brumma och bli varm under laddningen. Det är normalt och innebär inte att något är fel.

Varning! Ladda inte batteriet om temperaturen i luften är lägre än 10 °C eller högre än 40 °C. Den rekommenderade laddningstemperaturen är cirka 24 °C.

Montera och ta bort en skruvbit eller hylsa (fig. B)

Varning! Innan du monterar eller tar bort tillbehör ska du kontrollera att verktyget är låst så att du inte råkar slå på det av misstag.

- ◆ **En skruvbits (9) skjuts in i bitshållaren (3) tills den sitter fast.**
- ◆ **En skruvbits tas bort genom att den dras ut ur hållaren.**

Användning

Varning! Låt verktyget arbeta i sin egen takt. Överbelasta inte.

Använda ficklampan (bild C)

- ◆ **Tryck på ficklampans knapp (8) för att använda ficklampan (7).**

- ◆ Tryck på ficklampans knapp (8) igen för att stänga av ficklampan (7).

Slå på och av (bild D)

- ◆ Vid användning av verktyget, tryck in och håll kvar avtryckaren (1).
- ◆ Stäng av verktyget genom att släppa strömbrytaren (1).

Välja rotationsriktning (bild E)

Vid åtragnig av skruvar och borming av hål används framåt-gående (medurs) rotation. För att lossa skruvar eller avlägsna en borr som har fastnat använda rotation bakåt (moturs).

- ◆ Välj framåtgående rörelse genom att skjuta framåt-/bakåttreglaget (2) åt vänster.
- ◆ För att välja bakåt rörelse tryck framåt-/bakåttreglaget (2) åt vänster.
- ◆ Lås verktyget genom att placera framåt-/bakåttreglaget (2) i mittenläget.

Justera handtaget (bild D)

För optimal flexibilitet kan verktyget (5) vinklas i tre olika lägen.

- ◆ Tryck på handtagets justeringsknapp (4).
- ◆ Flytta sågskon (5) till önskad position.
- ◆ Tryck på handtagets justeringsknapp (4).

Underhåll

Detta BLACK+DECKER-verktyg har konstruerats för att fungera under lång tid med ett minimum av underhåll. Kontinuerlig tillfredsställande drift beror på ordentlig verktygsvård och regelbunden rengöring.

Laddaren behöver inget annat underhåll än regelbunden rengöring.

Varning! Ta ut batteriet ur verktyget innan du utför något underhåll på verktyget. Dra ur sladden till laddaren innan du rengör den.

- ◆ Rengör regelbundet verktygets luftintag och laddaren med en mjuk borste eller torr trasa.
- ◆ Rengör motorkåpan regelbundet med en fuktig trasa. Använd aldrig något slipande eller lösningsmedelbaserat rengöringsmedel.
- ◆ Knacka regelbundet på bitshållaren för att ta bort damm på insidan.

Skydda miljön



Separat insamling. Produkter och batterier som är markerade med denna symbol får inte kastas in de vanliga hushållssoporna.

Produkter och batterier innehåller material som kan återanvändas eller återvinnas för att minska behovet av råmaterial.

Återvinn elektriska produkter och batterier enligt lokala bestämmelser. Närmare information finns tillgänglig på www.2helpU.com

Tekniska data

BDCSFL20 H1		
Spänning	V _{DC}	3.6
Varvtal obelastad	Min ⁻¹	180
Max vridmoment (PTI-märkning)	Nm	5.5
Batterityp		Li-jon
Batterikapacitet	Ah	1.5
Vikt	kg	0.35

Laddare 9062787*-01		
Inspänning	V _{AC}	100 - 240
Utspänning	V _{DC}	15
Strömstyrka	mA	150
Laddningstid cirka	Timmar	10

Ljudtrycksnivå enligt EN 62841:	
Ljudtrycksnivå (L _{pa})	53 dB(A), osäkerhet (K) 3 dB(A)
Ljudeffekt (L _{wa})	64 dB(A), osäkerhet (K) 3 dB(A)

Totala vibrationsvärden (vektorsumman av tre axlar) enligt EN 62841:	
Skruvdragning utan slagfunktion (a _{h, is})	0,3 m/s ² , osäkerhet (K) 1,5 m/s ²

EG-försäkran om överensstämmelse MASKINDIREKTIVET



BDCSFL20 – Förvaring skruvdragare

Black & Decker försäkrar att dessa produkter, beskrivna under "tekniska data" uppfyller:

2006/42/EG, EN62841-1:2015, EN62841-2:2014.

Dessa produkter överensstämmer även med direktiven 2014/30/EU och 2011/65/EU.

För ytterligare information kontakta Black & Decker på följande adress, eller se handbokens baksida.

Undertecknad är ansvarig för sammanställningen av tekniska data och gör denna försäkran för Black & Decker.

Ray Laverick
Director of Engineering
Black & Decker Europe, 210 Bath Road, Slough,
Berkshire, SL1 3YD
Storbritannien
17/05/2017

Garanti

Black & Decker är säkra på kvaliteten hos denna produkt och erbjuder kunder 24 månaders garanti från datumet för inköpet. Garantin gäller utöver konsumentens rättigheter enligt lag och påverkar inte dessa. Garantin är giltig i de områden som tillhör medlemsstaterna i Europeiska unionen och det europeiska frihandelsområdet.

För yrkande under garantin måste yrkandet vara i enlighet med Black & Deckers villkor och du kommer att behöva skicka in bevis på köpet till försäljaren eller en auktoriserad reparatör. Villkoren för Black & Deckers tvååriga garanti och var du hittar din närmaste auktoriserade reparatör kan erhållas på internet på www.2helpU.com, eller genom att kontakta ditt lokala Black & Decker kontor på adressen som angetts i denna bruksanvisning.

Besök vår webbplats www.blackanddecker.se för att registrera din nya Black & Decker-produkt samt för att få information om nya produkter och specialerbjudanden.

ITiltenkt bruk

Din BLACK+DECKER™ BDCSFL20 er beregnet for bruk som skrutrekker. Dette verktøyet er bare ment som et forbrukerverktoy.

Sikkerhetsinstruksjoner

Generelle sikkerhetsadvarsler for elektroverktøy



Advarsel! Les alle sikkerhetsadvarsler og alle instruksjoner. Hvis advarslene og anvisningene nedenfor ikke overholdes, kan det medføre elektrisk støt, brann og/eller alvorlige personskader.

Ta vare på alle advarsler og instruksjoner for fremtidig bruk. Uttrykket "elektroverktøy" i alle advarslene nedenfor gjelder for strømdrevne elektroverktøy (med ledning) og batteridrevne elektroverktøy (uten ledning).

1. Sikkerhet i arbeidsområdet

- Hold arbeidsområdet rent og godt opplyst.** Rotete eller mørke områder er en invitasjon til ulykker.
- Ikke arbeid med elektroverktøy i eksplosjonsfarlige omgivelser, for eksempel der det befinner seg brennbare væsker, gass eller støv.** Elektrisk verktøy skaper gnister som kan antenne støv eller gasser.
- Hold barn og andre personer unna når du bruker et elektroverktøy.** Distraksjoner kan føre til at du mister kontrollen.

2. Elektrisk sikkerhet

- Støpselet til elektroverktøy må passe til stikkkontakten. Aldri modifier støpselet på noen måte. Ikke bruk adapterstøpsler til jordede elektriske verktøy.** Umodifiserte støpsler og stikkontakter som passer vil redusere risikoen for elektrisk sjokk.
- Unngå kroppskontakt med jordede overflater som rør, radiatorer, komfyrer og kjøleskap.** Det er økt risiko for elektrisk støt dersom kroppen din er jordat.
- Ikke utsett elektroverktøy for regn eller fuktighet.** Dersom det kommer vann inn i et elektrisk verktøy vil det øke risikoen for elektrisk sjokk.
- Unngå uforsvarlig behandling av ledningen. Aldri bruk ledningen til å bære, trekke eller dra ut støpselet til det elektriske verktøyet. Hold ledningen borte fra varme, olje, skarpe kanter eller bevegelige deler.** Skadede eller innviklede ledninger øker risikoen for elektrisk sjokk.
- Når du bruker et elektroverktøy utendørs, må du bruke en skjøteledning som er egnet til utendørs bruk.** Bruk av en skjøteledning beregnet for utendørs bruk reduserer risikoen for elektrisk støt.
- Hvis du ikke kan unngå å bruke elektroverktøy på et fuktig sted, må du bruke en strømforsyning som er beskyttet med jordfeilbryter.** Bruk av jordfeilbryter (RCD) reduserer risikoen for elektrisk sjokk.

3. Personikkerhet

- Vær oppmerksom, pass på hva du gjør, og vis fornuft når du arbeider med et elektroverktøy. Ikke bruk et elektrisk verktøy dersom du er trøtt eller er påvirket av medikamenter, narkotika eller alkohol.** Ett øyeblikks uoppmerksomhet under bruk av elektriske verktøy kan føre til alvorlig personskade.
- Bruk personlig verneutstyr. Bruk alltid vernebriller.** Verneutstyr slik som støvmaske, skliskre vernesko, hjelm, eller hørselsvern brukt under passende forhold vil redusere personskader.
- Forhindre utilsiktet start. Kontroller at bryteren står i posisjon "av" før du kobler til strømkilden og/eller batteripakken, og før du tar opp eller bærer verktøyet.** Å bære elektriske verktøy med fingeren på bryteren eller å sette inn støpselet mens elektriske verktøy har bryteren på øker faren for ulykker.
- Fjern eventuelt innstillingsverktøy eller skruverktøy før du slår på elektroverktøyet.** Et skruverktøy eller en nøkkel som fortsatt er festet til en roterende del av elektroverktøyet, kan føre til personskade.
- Ikke strekk deg for langt. Ha godt fotfeste og stå støtt hele tiden.** Dette fører til at du har bedre kontroll over det elektriske verktøyet ved uventede situasjoner.
- Bruk egnede klær. Ikke ha på deg løstsittende klær eller smykker. Hold hår, antrekk og hansker borte fra**

bevegelige deler. Løstsittende klær, smykker og langt hår brukes på en annen batteripakke.

- g. Hvis det kan monteres støvavsug- og oppsamlingsinnretninger, må du forvise deg om at disse er tilkoblet og brukes på riktig måte.** Bruk av støvoppsamlere kan redusere støvrelaterte farer.
- h. Ikke la erfaring med hyppig bruk av verktøy la deg bli likegyldig og ignorere verktøyet sikkerhetsregler.** En uforsettlig handling kan føre til alvorlig personskade på brokdelen av et sekund.

4. Bruk og behandling av elektroverktøy

- a. Ikke bruk makt på elektroverktøyet. Bruk det elektriske verktøyet som situasjonen krever.** Det riktige elektriske verktøyet vil gjøre jobben bedre og tryggere ved den hastigheten det ble konstruert for.
- b. Ikke bruk elektroverktøyet hvis du ikke kan slå det på og av med bryteren.** Ethvert elektrisk verktøy som ikke kan kontrolleres med bryteren er farlig og må repareres.
- c. Trekk støpselet ut av stikkkontakten og/eller koble fra batteripakken på elektroverktøyet før du utfører innstillinger, bytter tilbehør eller legger elektroverktøyet bort.** Slike preventive sikkerhetsforanstaltninger reduserer risikoen for å starte det elektriske verktøyet ved et uhell.
- d. Elektroverktøy som ikke er i bruk, må oppbevares utilgjengelig for barn. Ikke la verktøyet bli brukt av personer som ikke er fortrolige med det, eller som ikke kjenner disse instruksjonene.**

Elektriske verktøy er farlige i hendene på utrenede brukere.

- e. Sørg for vedlikehold av elektroverktøy. Undersøk om bevegelige deler er feiljustert eller blokkert, om deler er skadet, og om det er andre forhold som kan påvirke elektroverktøyet funksjon. Dersom det er skadet, få verktøyet reparert før neste bruk.** Mange ulykker forårsakes av dårlig vedlikeholdte verktøy.
- f. Hold skjæreverktøy skarpe og rene.** Godt vedlikeholdte skjæreverktøy med skarpe skjærekanten setter seg mindre sannsynlig fast og er lettere å kontrollere.
- g. Bruk elektroverktøy, tilbehør, bor osv. i henhold til disse instruksjonene. Ta hensyn til arbeidsforholdene og arbeidet som skal utføres.** Bruk av det elektriske verktøyet for oppgaver som er forskjellige fra de som er tiltenkt kan føre til en farlig situasjon.
- h. Hold håndtakene og gripeflatene tørre, rene og frie for olje og fett.** Glatte håndtak og gripeflater forhindrer trygg håndtering og kontroll av verktøyet i uventede situasjoner.

5. Bruk og stell av batteriverktøy

- a. Ladningen skal bare skje med den laderen som produsenten har spesifisert.** En lader som passer for en

type batteripakke kan føre til risiko for brann dersom den brukes på en annen batteripakke.

- b. Bruk elektroverktøy bare sammen med spesifikt angitte batteripakker.** Bruk av andre batteripakker kan føre til risiko for personskade og brann.
- c. Når batteripakken ikke er i bruk, må du oppbevare den atskilt fra andre metallgjenstander som binders, mynter, nøkler, spiker, skruer eller andre små metallgjenstander som kan opprette en forbindelse fra en terminal til en annen.** Kortslutning av batteripolene mot hverandre kan føre til brannskader eller brann.
- d. Ved feilaktig bruk kan det komme væske ut av batteriet, unngå kontakt med den. Dersom du kommer i kontakt med den, skyll av med vann. Dersom du får væsken i øynene, søk legehjelp.** Væske som kommer ut av batteriet kan føre til irritasjon eller brannskader.
- e. Batteripakke eller verktøy som er skadet eller modifisert skal ikke brukes.** Batterier som er skadet eller modifisert kan ha uventet oppførsel og føre til brann, eksplosjon eller personskader.
- f. Batteripakken skal ikke utsettes for brann eller for høy temperatur.** Eksposering for brann eller temperaturer over 130 °C (265 °F) kan føre til eksplosjon.
- g. Følg alle ladeinstrukser og ikke lade batteripakken eller verktøyet utenfor temperaturområdet som angitt i bruksanvisningen.** Feil lading eller ved temperaturer utenfor det angitt område kan skade batteriet og øke faren for brann.

6. Service

- a. Elektroverktøy skal repareres av kvalifisert personell og bare med originale reservedeler.** Dette vil sikre at verktøyet sikkerhet blir ivaretatt.
- b. Skadede batteripakker skal aldri repareres.** Service på batteripakker skal kun utføres av produsenten eller autoriserte serviceverksteder.

Ytterligere sikkerhetsadvarsler for elektroverktøy



Advarsel! Ytterligere sikkerhetsadvarsler for skrutrekkere og skruverktøy med slag

- ◆ **Hold i det elektriske verktøyet kun i isolerte gripeoverflater når du utfører operasjoner hvor skruen kan komme i kontakt med skjulte ledninger.** Skruer som kommer i kontakt med en strømførende ledning kan føre til at eksponerte metalldele på elektroverktøyet blir strømførende, og kan gi brukeren støt.
- ◆ **Bruk tvinger eller annen praktisk måte å sikre og holde arbeidsstykket på et stabilt underlag.** Å holde arbeidsstykket i hendene eller mot kroppen er ustabil og kan føre til at du mister kontroll.

- ◆ **Bruksrådet er beskrevet i denne bruksanvisning.** Hvis du bruker annet tilbehør, kobler til annet utstyr eller bruker dette produktet til andre oppgaver enn det som er anbefalt i denne håndboken, kan det medføre fare for personskader og/eller skade på eiendom.

Andre personers sikkerhet

- ◆ **La aldri barn eller personer med reduserte fysiske, sensoriske eller mentale ferdigheter eller med manglende erfaring eller kunnskap, eller personer som ikke kjenner bruksanvisningen bruke denne maskinen.** Lokale lover og regler kan gi begrensninger for brukerens alder.
- ◆ **Ikke bruk maskinen hvis det er personer, spesielt barn, eller dyr i nærheten.**

Ytterligere sikkerhetsadvarsler for elektroverktøy



Advarsel! Ytterlige sikkerhetsadvarsler for lykter

- ◆ **Forsøk aldri å fjerne eller bytte ut andre deler enn delene som er oppgitt i denne bruksanvisningen.**
- ◆ **Ikke bruk apparatet uten linsen eller med en skadet linse.**
- ◆ **Se aldri rett inn i lyset, og rett aldri lyset mot øynene til en annen person.**



Advarsel! Fare for brann. Ikke bruk arbeidslampen eller laderen nært brennbare væsker eller i gassfylte eller eksplosive atmosfærer. Interne gnister kan antenne damper og føre til personskader.

- ◆ **Ikke utsett lampen eller laderen for fuktighet eller våte områder.** Ikke utsett lampen eller laderen for regn eller snø.
- ◆ **Ikke vask lampen eller laderen med vann, og ikke la vann komme inn i lampen eller laderen.**
- ◆ **Ikke senk lampen ned i vann under noen omstendigheter.**



Forsiktig! Når det ikke er i bruk, skal verktøyet legges på siden på en stabil overflate der det ikke utgjør en fare for snubling eller fall. Noen verktøy med store batteripakker kan stå på batteripakken, men kan lettes slås overende.

- ◆ **Se aldri direkte inn i lyskilden med optiske instrumenter.**

Andre risikoer

Når verktøyet brukes, kan det oppstå ytterligere risikoer som kanskje ikke er beskrevet i de medfølgende sikkerhetsadvarslene. Disse risikoene kan bli forårsaket av feil bruk, langvarig bruk osv. Selv om de relevante sikkerhetsbestemmelsene blir fulgt, og sikkerhetstiltakene blir gjennomført, kan visse gjenværende risikoer ikke unngås. Disse inkluderer:

- ◆ **Personskader som forårsakes av berøring av en roterende/bevegelig del.**
- ◆ **Personskader som oppstår ved skifte av deler, blader eller tilbehør.**
- ◆ **Personskader som skyldes for lang tids bruk av verktøyet.** Når du bruker et verktøy i lange perioder, må du sørge for å ta regelmessige pauser.
- ◆ **Hørselskader.**
- ◆ **Helsefarer forårsaket av innånding av støv som utvikler seg når du bruker verktøyet (eksempel: arbeid med tre, spesielt eik, bøk og MDF.)**

Vibrasjon

Vibrasjonsemissjonsverdien som er angitt under tekniske data og samsvarserklæring, er blitt målt i henhold til en standard testmetode som er angitt i EN62841, og kan brukes til å sammenligne et verktøy med et annet. Den oppgitte vibrasjonsemissjonsverdien kan også brukes til en foreløpig vurdering av eksponering.

Advarsel! Vibrasjonsemissjonsverdien under faktisk bruk av elektroverktøyet kan avvike fra den oppgitte verdien avhengig av måten verktøyet blir brukt på. Vibrasjonsnivået kan øke over nivået som er oppgitt.

Når det vurderes vibrasjonseksponering for å avgjøre hvilke sikkerhetstiltak som kreves ifølge 2002/44/EF, for å beskytte personer som bruker elektroverktøy regelmessig til arbeidsformål, skal det, når vibrasjonseksponeringen anslås, tas hensyn til de faktiske bruksforholdene og måten verktøyet blir brukt på. Dette inkluderer å ta hensyn til alle deler av brukssyklusen, for eksempel når verktøyet er avslått, når det går på tomgang og når utløseren er trykket inn.

Etiketter på verktøyet

De følgende symbolene sammen med datokode vises på verktøyet:



Advarsel! Brukeren må lese håndboken for å redusere risikoen for personskade.

Ytterligere sikkerhetsinstruksjoner for batterier og ladere

Batterier

- ◆ **Forsøk aldri å åpne av noen årsak.**
- ◆ **Ikke utsett batteriene for vann.**
- ◆ **Ikke oppbevar det på steder hvor temperaturen kan komme over 40 °C.**
- ◆ **Lad bare ved temperaturer mellom 10 og 40 °C.**
- ◆ **Bruk bare laderen som følger med apparatet.**
- ◆ **Følg instruksene som finnes i avsnittet "Miljøvern" når du skal kaste batterier.**



Ikke forsøk å lade opp skadede batterier.

Ladere

- ◆ Bruk bare BLACK+DECKER-ladere til å lade batteriet i apparatet som laderen ble levert sammen med. Andre batterier kan sprekke og føre til personskade og materiell skade.
- ◆ Prøv aldri å lade ikke-oppladbare batterier.
- ◆ Skift ut defekte ledninger umiddelbart.
- ◆ Ikke utsett laderen for vann.
- ◆ Ikke åpne laderen.
- ◆ Ikke stikk gjenstander eller fingre inn i laderen.



Ladere er bare beregnet for innendørs bruk.



Les denne håndboken før bruk.

Elektrisk sikkerhet

Denne laderen er dobbeltisolert. Jording er derfor ikke nødvendig. Kontroller alltid at nettspenningen er i overensstemmelse med spenningen på typeskiltet. Ikke skift ut laderen med et vanlig nettstøpsel.

- ◆ Hvis strømledningen blir skadet, må den byttes av produsenten eller et autorisert BLACK+DECKER-service-senter for å unngå fare.

Funksjoner

Dette verktøyet har noen av eller alle følgende egenskaper.

1. Strømbryter (utløserbryter)
2. Glidebryter for fremover/bakover
3. Bit holder
4. Bryter for justering av håndtak
5. Håndtak
6. Laderkontakt
7. Lommelykt
8. Lommelyktbryter

Lade verktøyet (fig. A)

Batteriet må lades før første gang det brukes, og hver gang det ikke lenger gir nok strøm til oppgaver som tidligere ble utført uten problemer. Batteriet kan bli varmt under lading.

Dette er normalt og innebærer ikke feil.

Advarsel! Bruk bare laderen som følger med apparatet, til å lade verktøyet.

- ◆ Plugg laderpluggen (6a) inn i laderkontakten (6) for å lade batteriet.
- ◆ Sett laderen i stikkkontakten.
- ◆ La verktøyet være tilkoblet laderen i 10 timer.

Ladere kan summe og bli varm under lading. Dette er normalt og innebærer ikke feil.

Advarsel! Ikke lad batteriet ved omgivelsestemperaturer under 10 °C eller over 40 °C. Anbefalt ladetemperatur er ca. 24 °C.

Sette på og ta av skrutrekkerbit eller pipe (figur B)

Advarsel! Pass på at verktøyet er låst for å hindre utilsiktet aktivering av bryteren før du setter på eller tar av tilbehør.

- ◆ Sett på en skrutrekkerbit (9) ved å trykke den på plass i bitholderen (3) til den sitter fast.
- ◆ Når du skal fjerne en bit, trekker du den rett ut av bitholderen.

Bruk

Advarsel! La verktøyet arbeide i sin egen hastighet. Må ikke overbelastes.

Bruke lykten (fig. C)

- ◆ Når du skal slå lommelykten (7) på, trykker du på på/av-bryteren (8).
- ◆ Når du skal slå lommelykten (7) av, trykker du på på/av-bryteren (8) igjen.

Slå på og av (figur D)

- ◆ Trykk på utløserknappen (1) for å bruke verktøyet.
- ◆ Slipp utløserbryteren (1) for å slå verktøyet av.

Velge rotasjonsretning (figur E)

For stramming av skruer og boring av skruer brukes rotasjon fremover (med klokken). For løsløsning av skruer eller fjerning av bor som sitter fast, brukes rotasjon bakover (mot klokken).

- ◆ Når du skal velge rotasjon fremover, skyver du glidebryteren (2) for fremover/bakover til høyre.
- ◆ Når du skal velge rotasjon bakover, skyver du glidebryteren (2) for fremover/bakover til venstre.
- ◆ Du kan låse verktøyet ved å sette glidebryteren for fremover/bakover (2) i midtstillingen.

Justere håndtaket (Fig. F)

Verktøyet kan settes til tre ulike stillinger (5) for å gi optimal allsidighet.

- ◆ Trykk på knappen for justering av håndtaket (4).
- ◆ Flytt sagfoten (5) til ønsket posisjon.
- ◆ Trykk på knappen for justering av håndtaket (4).

Vedlikehold

BLACK+DECKER-verktøyet ditt er konstruert for å være i drift over lengre tid med et minimum av vedlikehold. For at den skal fungere tilfredsstillende over tid, er det viktig å sørge for riktig stell av verktøyet og regelmessig renhold.

Ladere krever ikke annet vedlikehold enn regelmessig rengjøring.

Advarsel! Før du utfører vedlikehold på verktøyet, må du fjerne batteriet fra verktøyet. Trekk ut laderen fra stikkkontakten før du rengjør den.

- ◆ Rengjør ventilasjonsåpningene i verktøyet og laderen jevnlig med en myk børste eller tørr klut.
- ◆ Rengjør motorhuset regelmessig med en fuktig klut. Ikke bruk slipende eller løsemiddelbaserte rengjøringsmidler.
- ◆ Bank regelmessig på bitholderen for å fjerne støv.

Miljøvern

Separat avfallshåndtering. Produkter og batterier merket med dette symbolet skal ikke kastes i vanlig husholdningsavfall.

Produkter og batterier inneholder materialer som kan gjenbrukes eller gjenvinnes for å redusere behovet for nye råmaterialer.

Vennligst lever elektrisk utstyr og batterier til gjenbruk i henhold til lokale regler. Mer informasjon finner du på www.2helpU.com

Tekniske data

		BDCSFL20 H1
Spenning	V _{DC}	3,6
Ubelastet hastighet	Min ⁻¹	180
Maksimum dreiemoment PTI-klassifisering	Nm	5,5
Batteritype		Li-Ion
Batterikapasitet	Ah	1,5
Vekt	kg	0,35

		9062787*-01
Inngangsspenning	V _{AC}	100 - 240
Utgangsspenning	V _{DC}	15
Strøm	mA	150
Omtrentlig ladetid	Timer	10

Lydtrykknivå i henhold til EN 62841:

Lydtrykk (L_{pa}) 53 dB(A), usikkerhet (K) 3 dB(A)

Lydeffekt (L_{wa}) 64 dB(A), usikkerhet (K) 3 dB(A)

Totale vibrasjonsverdier (vektorsum fra tre retninger) bestemt i samsvar med EN 62841:

Skrutrekking uten slag (a_{n,ISO}) 0,3 m/s², usikkerhet (K) 1,5 m/s²

EU-samsvarserklæring
MASKINERIDIREKTIV

BDCSFL20 – Drill, skrutrekker

Black & Decker erklærer at disse produktene, som er beskrevet under "Tekniske data", er i samsvar med: 2006/42/EC, EN62841-1:2015, EN62841-2-2:2014, Disse produktene er også i samsvar med direktiv 2014/30/EU og 2011/65/EU.

Hvis du ønsker mer informasjon, kan du kontakte Black & Decker på adressen under eller se baksiden av bruksanvisningen.

Undertegnede er ansvarlig for utarbeidelsen av den tekniske dokumentasjonen og gir denne erklæringen på vegne av Black & Decker.

Ray Laverick
Director of Engineering
Black & Decker Europe, 210 Bath Road, Slough,
Berkshire, SL1 3YD
Storbritannia
17/05/2017

Garanti

Black & Decker er trygg på kvaliteten av produktene sine og tilbyr en 24 måneders garanti fra kjøpsdato. Denne garantierklæringen kommer i tillegg til dine lovbestemte rettigheter og er ikke i konflikt med disse. Garantien er gyldig innen områdene tilhørende medlemslandene i den Europeiske Union (EU) og det Europeiske Frihandelsområdet (EFTA).

For å ta garantien i bruk må kravet være i samsvar med kjøpsbetingelsene fra Black&Decker og du må vise kjøpskvittering til forhandleren eller til et autorisert serviceverksted. Betingelsene for Black & Deckers 2 års garanti og adressen til din nærmeste autoriserte serviceverksted kan du finne på internett under www.2helpU.com, eller ved å kontakte ditt lokale Black & Decker kontor, adressen er angitt i denne bruksanvisningen.

Besøk våre nettsider på www.blackanddecker.no for å registrere ditt nye Black & Decker-produkt og for å få informasjon om nye produkter og spesialtilbud.

Tilsigtet brug

Din BLACK+DECKER™ BDCSFL20-skruemaskine uden ledning er designet til at skrue med. Værktøjet er kun beregnet til privat brug.

Sikkerhedsinstruktioner

Generelle sikkerhedsadvarsler vedrørende elværktøj



Advarsel! Læs alle sikkerhedsadvarsler og alle instruktioner. Hvis nedenstående advarsler og instruktioner ikke følges, er der risiko for elektrisk stød, brand og alvorlige kvæstelser.

Gem alle advarsler og instruktioner for fremtidig reference. Begrebet "elværktøj", der benyttes i nedenstående advarsler, henviser til netdrevet elværktøj (med netledning) eller batteridrevet elværktøj (uden netledning).

1. Sikkerhed i arbejdsområdet

- Hold arbejdsområdet rent og ordentligt oplyst.** Rodede eller mørke områder giver anledning til ulykker.
- Brug ikke elværktøj i eksplosive omgivelser, f.eks. hvor der er brændbare væsker, gasser eller støv.** Elværktøj danner gnister, der kan antænde støv eller dampe.
- Hold børn og andre personer i nærheden på afstand, når der arbejdes med elværktøj.** Distraktioner kan medføre, at du mister kontrollen.

2. Elektricitet og sikkerhed

- Elværktøjets stik skal passe til kontakten. Stikket må aldrig modificeres på nogen måde. Undlad at bruge adapterstik sammen med jordforbundet elektrisk værktøj.** Umodificerede stik og dertil passende stikkontakter reducerer risikoen for elektrisk stød.
- Undgå kropskontakt med jordforbundne overflader som f.eks. rør, radiatorer, komfurer og køleskabe.** Der er øget risiko for elektrisk stød, hvis din krop er jordforbundet.
- Udsæt ikke elværktøj for regn, og brug det ikke, hvor omgivelserne er våde.** Hvis der trænger vand ind i et elektrisk værktøj, øges risikoen for elektrisk stød.
- Pas på, at ledningen ikke beskadiges. Brug aldrig ledningen til at bære, trække værktøjet eller trække det ud af stikkontakten. Hold ledningen borte fra varme, olie, skarpe kanter og bevægelige dele.** Beskadigede eller sammenfiltrede ledninger øger risikoen for elektrisk stød.

- Hvis elværktøj benyttes i det fri, skal der benyttes en forlængerledning, som er godkendt til udendørs brug.** Brug af en ledning, der er egnet til udendørs brug, reducerer risikoen for elektrisk stød.
- Brug en strømkilde med fejlstrømsrelæ, hvis det er nødvendigt at anvende elværktøj på fugtige steder.** Ved at benytte en fejlstrømsafbryder reduceres risikoen for elektrisk stød.

3. Personssikkerhed

- Vær opmærksom på, hold øje med, hvad du laver, og brug elværktøjet fornuftigt. Betjen ikke værktøjet, hvis du er træt, påvirket af narkotika, alkohol eller medicin.** Et øjeblik uopmærksomhed under anvendelse af et elektrisk værktøj kan forårsage alvorlige kvæstelser.
- Brug personligt beskyttelsesudstyr. Bær altid beskyttelsesbriller.** Sikkerhedsudstyr, såsom støvmaske, skridsikre sikkerhedssko, sikkerhedshjelm eller hørevern, brugt når omstændighederne foreskriver det, reducerer omfanget af personskader.
- Træf forholdsregler, så utilsigtet start ikke er mulig. Kontrollér, at afbryderkontakten står på slukket, inden værktøjet tilsluttes strømkilden og/eller batteriet, samles op eller bæres.** Når elektrisk værktøj bæres med fingeren på kontakten eller tilsluttes, når kontakten er tændt, giver det anledning til ulykker.
- Fjern indstillingsværktøj eller skruenøgle, inden elværktøjet startes.** En skruenøgle eller anden nøgle, der bliver siddende på en roterende del af elektrisk værktøj, kan give anledning til personskade.
- Stræk dig ikke for langt. Hold hele tiden en god fodstilling og balance.** Dette udgør at du har bedre kontrol over det elektriske værktøj, når uventede situationer opstår.
- Brug egnet arbejdstøj. Bær ikke løst tøj eller smykker. Hold dit hår, tøj og handsker væk fra bevægelige dele.** Løstsiddende tøj, smykker eller langt hår kan blive fanget i bevægelige dele.
- Hvis der kan monteres støvudsugnings- og opsamlingsudstyr, skal dette tilsluttes og benyttes korrekt.** Anvendelse af støvopsamlingsudstyr kan begrænse farer forårsaget af støv.
- Lad ikke kendskab fra hyppig brug af værktøjer gøre dig uforsigtig og få dig til at ignorere principperne for værktøjssikkerhed.** En uforsigtig handling kan forårsage alvorlig personskade på en brøkdel af et sekund.

4. Brug og vedligeholdelse af elværktøj

- Overbelast ikke elværktøjet. Brug det værktøj, der er bedst egnet til det arbejde, der skal udføres.** Værktøjet vil klare opgaven bedre og mere sikkert med den ydelse, som det er beregnet til.

- Brug ikke elværktøjet, hvis afbryderkontakten er defekt.** Alt elektrisk værktøj, der ikke kan kontrolleres med kontakten, er farligt og skal repareres.
- Træk stikket ud af stikkontakten og/eller batteriet inden indstilling, tilbehørsudskiftning eller opbevaring af elværktøjet.** Sådanne forebyggende sikkerhedsforanstaltninger mindsker risikoen for, at værktøjet startes utilsigtet.
- Opbevar ubenyttet elværktøj uden for børns rækkevidde. Lad aldrig personer, der ikke er fortrolige med elværktøjet, eller som ikke har læst denne vejledning, benytte maskinen.** El-værktøj er farligt i hænderne på personer, som ikke er instrueret i brugen deraf.
- Elværktøj skal vedligeholdes. Kontroller, om bevægelige dele er skæve og ikke sidder fast, og om delene er brækket eller beskadiget, så elværktøjets funktion påvirkes. Hvis det elektriske værktøj er beskadiget, skal det repareres før brug.** Mange ulykker er forårsaget af dårligt vedligeholdt værktøj.
- Hold skæreværktøj skarpt og rent.** Ordentligt vedligeholdt skæreværktøj med skarpe skærekanter har mindre tilbøjelighed til at binde og er lettere at styre.
- Brug elværktøjet, tilbehøret, indsatsværktøj osv. i overensstemmelse med disse instruktioner under hensyntagen til arbejdsforholdene og arbejdet, der skal udføres med værktøjet.** Brug af elektrisk værktøj til andre opgaver end dem, det er beregnet til, kan resultere i en farlig situation.
- Hold håndtagene og håndtagsfladerne tørre, rene og fri for olie og fedt.** Glatte håndtag og håndtagsflader giver ikke en sikker håndtering og kontrol af værktøjet i uventede situationer.

5. Brug og pleje af batteriværktøj

- Genoplad kun med den lader, som producenten har angivet.** En oplader, der passer til en type batteripakke, kan udgøre en risiko for brand, når den bruges til en anden type.
- Elværktøjer må kun bruges med batteripakker, der er beregnet hertil.** Brugen af andre batteripakker kan medføre personskade og brand.
- Når batteripakken ikke er i brug, skal den holdes på afstand af andre metalgenstande, f.eks. papirclips, mønter, nøgler, søm, skruer og andre små metalgenstande, som kan skabe forbindelse mellem de to poler.** Kortslutning af batteriet kan forårsage forbrændinger eller brand.
- Under grove forhold kan væske sive ud fra batteriet; undgå kontakt. Hvis der opstår kontakt ved et uheld, skyl med vand. Hvis væske kommer ind i øjnene, søg omgående lægehjælp.** Væske, der siver ud fra batteriet, kan fremkalde irritationer eller forbrændinger.

- Brug ikke en batteripakke eller et værktøj, der er beskadiget eller modificeret.** Beskadigede eller modificerede batterier kan udvise uforudsigelig adfærd, hvilket kan resultere i brand, eksplosion eller risiko for personskade.
- Udsæt ikke en batteripakke eller et værktøj for ild eller for høj temperatur.** Udsættelse for ild eller temperatur på over 265° F kan forårsage eksplosion.
- Følg alle opladningsanvisninger, og undlad at oplade batteripakken eller værktøjet uden for det temperaturinterval, der er specificeret i instruktionerne.** En forkert opladning eller opladning uden for det specificerede interval kan beskadige batteriet og øge risikoen for brand.

6. Service

- Lad kun kvalificerede fagfolk reparere elværktøjet, og benyt kun originale reservedele.** Derved sikres det, at værktøjets driftssikkerhed opretholdes.
- Der må aldrig foretages service på beskadigede batteripakker.** Service af batteripakker bør kun udføres af producenten eller autoriserede serviceudbydere.

Yderligere sikkerhedsadvarsler for elværktøj



Advarsel! Yderligere sikkerhedsadvarsler for skruemaskiner og slagskruetrækkere

- ◆ **Hold kun fast i det elektriske værktøj på de isolerede håndtagsflader under udførelse af arbejdet, hvor fastgørelsen kan komme i kontakt med skjulte ledninger.** Hvis beslag kommer i kontakt med en strømførende ledning, bliver elværktøjets blotlagte dele strømførende, så brugeren får stød.
- ◆ **Brug klemmer eller en anden praktisk måde på at sikre og understøtte arbejdsområdet til et stabilt underlag.** Hvis du holder fast i arbejdsområdet med din hånd eller krop, vil det være ustabil, og det kan medføre, at du mister kontrollen over det.
- ◆ **Den tilsigtede anvendelse er beskrevet i denne betjeningsvejledning. Brug af ekstraudstyr eller tilbehør eller udførelse af andre opgaver med dette værktøj end de, der anbefales i denne vejledning, kan medføre risiko for personskade og/eller materiel skade.**

Andres sikkerhed

- ◆ **Lad aldrig børn, personer med nedsatte fysiske, sensoriske eller mentale evner eller manglende erfaring og viden, eller folk der ikke kender disse instruktioner bruge maskinen, lokale regler kan begrænse operatørens alder.**
- ◆ **Brug aldrig maskinen, mens der er andre i nærheden, især børn eller kæledyr.**

Yderligere sikkerhedsadvarsler for elværktøj



Advarsel! Yderligere sikkerhedsadvarsler for lommelygte

- ◆ Forsøg aldrig at fjerne eller udskifte dele ud over dem, der er beskrevet i denne vejledning.
- ◆ Brug den ikke, hvis glasset ikke er monteret, eller hvis det er beskadiget.
- ◆ Se aldrig direkte ind i lyset, og lys aldrig andre i øjnene.



Advarsel! Brandfare. Arbejd ikke med arbejdslys eller oplader tæt ved brændbare væsker eller gasagtige eller eksplosionsfarlige atmosfærer. Interne gnister kan antænde dampe og fremkalde personskader.

- ◆ Udsæt ikke lys eller oplader for våde eller fugtige områder.
- Udsæt ikke lys eller oplader for regn eller sne.
- ◆ Vask ikke lys eller oplader med vand eller tillad vand at komme inden i lys eller oplader. Nedsænk aldrig lys i vand.



Forsigtig! Når værktøjet ikke er i brug, placeres det på siden på en stabil overflade, hvor det ikke kan forårsage falde- eller snubelfare. Nogle værktøjer med store batteripakker vil stå lodret på batteripakken, men kan let væltes.

- ◆ Se aldrig direkte ind i lyskilden med optiske instrumenter.

Tilbageværende risici

Der kan opstå yderligere, tilbageværende risici under brugen af apparatet, som muligvis ikke behandles i de vedlagte sikkerhedsadvarsler. Disse risici kan opstå pga. forkert anvendelse, langvarig brug etc.

Selv ved overholdelse af relevante sikkerhedsforskrifter og anvendelse af sikkerhedsudstyr kan visse tilbageværende risici ikke undgås. Disse omfatter:

- ◆ Tilskadekomst forårsaget af berøring af roterende/bevægelige dele.
- ◆ Tilskadekomst forårsaget af udskiftning af dele, klinger eller tilbehør.
- ◆ Tilskadekomst forårsaget af langvarig brug af et værktøj. Husk at holde pause jævnligt ved brug af et apparat i længere tid.
- ◆ Hørenedsættelse.
- ◆ Sundhedsrisici forårsaget af indånding af støv, der genereres ved brug af værktøjet (eksempel: arbejde med træ, især, eg, bøg og MDF.)

Vibration

De angivne værdier for udsendelse af vibration anført under de tekniske data og overensstemmelseserklæringen er målt i henhold til standardtestmetoden i EN62841 og kan bruges til at sammenligne ét værktøj med et andet. Den angivne

vibrationsemissionsværdi kan også bruges som en foreløbig vurdering af eksponeringen.

Advarsel! Værdien for vibrationsemission ved faktisk brug af elværktøjet kan afvige fra den angivne værdi afhængigt af måden, værktøjet anvendes på. Vibrationsniveauet kan overstige det angivne niveau.

I vurderingen af eksponeringen for vibration med henblik på fastsættelse af sikkerhedsforanstaltninger som krævet i 2002/44/EF til beskyttelse af personer, der jævnligt anvender elværktøj i deres arbejde, skal der tages hensyn til de faktiske betingelser under brugen, og måden værktøjet bruges på, herunder alle arbejdsrytters elementer, f.eks. perioder, hvor værktøjet er slukket, og hvor det kører i tomgang, tillige med startperioderne.

Mærkatere på værktøjet

Følgende symboler vises på værktøjet sammen med datokoder:



Advarsel! Brugeren skal læse brugervejledningen for at reducere risikoen for tilskadekomst.

Yderligere sikkerhedsvejledninger for batterier og ladere

Batterier

- ◆ Forsøg aldrig at åbne den af en eller anden grund.
- ◆ Batteriet må ikke udsættes for vand.
- ◆ Må ikke opbevares på steder, hvor temperaturen kan overstige 40 °C.
- ◆ Foretag kun opladning ved omgivelsestemperaturer mellem 10 °C og 40 °C.
- ◆ Oplad kun ved hjælp af den medfølgende lader.
- ◆ Ved bortskaffelse af batterierne, skal du følge anvisningerne i afsnittet "Beskyttelse af miljøet".



Forsøg ikke at oplade beskadigede batterier.

Opladere

- ◆ Brug kun din BLACK+DECKER-lader til at oplade batteriet i det værktøj, som den blev leveret sammen med. Andre batterier kan eksplodere og forårsage kvæstelser og materielle skader.
- ◆ Forsøg aldrig at oplade ikke-genopladelige batterier.
- ◆ Udskift straks defekte ledninger.
- ◆ Opladeren må ikke udsættes for fugt.
- ◆ Opladeren må ikke åbnes.
- ◆ Undersøg ikke opladeren.



Opladeren er kun beregnet til indendørs brug.



Læs brugervejledningen, før værktøjet tages i brug.

Elektricitet og sikkerhed



Opladeren er dobbelt isoleret. Derfor er en jordledning ikke nødvendig. Kontroller altid, at netspændingen svarer til spændingen på typeskiltet. Forsøg aldrig at erstatte opladerenheden med et almindeligt netstik.

- ◆ Hvis netledningen beskadiges, skal den udskiftes af producenten eller et autoriseret BLACK+DECKER-værksted, så farlige situationer undgås.

Funktioner

Apparatet har nogle eller alle af de følgende funktioner.

1. Startknap
2. Skyder til skift af retning
3. Borholder
4. Justeringsknap for håndtag
5. Håndtag
6. Ladebøsning
7. Lommelygte
8. Lommelygteknop

Opladning af værktøj (fig.A)

Batteriet skal oplades inden ibrugtagningen, og når det ikke leverer strøm nok til opgaver, der tidligere kunne udføres ubesværet. Batteriet kan blive varmt under opladningen. Det er normalt og ikke tegn på problemer.

Advarsel! Brug kun den medfølgende lader til opladning af værktøjet.

- ◆ For at oplade batteriet sættes laderstikket (6a) i batteritilslutningen (6).
- ◆ Tilslut opladeren.
- ◆ Lad værktøjet være tilsluttet laderen i 10 timer.

Opladeren kan summe og blive varm under opladningen. Det er normalt og ikke tegn på problemer.

Advarsel! Oplad ikke batteriet ved omgivende temperaturer på under 10 °C eller over 40 °C. Den anbefalede opladningstemperatur er ca. 24 °C.

Montering og afmontering af bit/top (fig. B)

Advarsel! Sørg for at værktøjet er låst, så utilsigtet aktivering af startknappen inden montering eller afmontering af tilbehør forhindres.

- ◆ En bit (9) monteres ved at skubbe den ind i bitholderen (3), indtil den låses fast.
- ◆ Bitten fjernes ved at trække den lige ud af bitholderen.

Anvendelse

Advarsel! Lad værktøjet arbejde i dets eget tempo. Det må ikke overbelastes.

Brug af lommelygten (fig. C)

- ◆ Tryk på lommelygteknappen (8) for at betjene lommelygten (7).
- ◆ Tryk igen på lommelygteknappen (8) for at slukke for lommelygten (7).

Start og stop (fig. D)

- ◆ Tryk og hold startknappen (1) for at betjene værktøjet.
- ◆ Stop værktøjet ved at slippe startknappen (1).

Valg af omløbsretning (fig. E).

Brug forlæns omløb (med uret) ved tilspænding af skruer og forboring af huller. Brug baglæns omløb (mod uret) for at løsne skruer eller fjerne et fastklemt bor.

- ◆ Tryk skyderen til skift af retning (2) mod højre for at vælge forlæns omløb.
- ◆ Tryk skyderen til skift af retning (2) mod venstre for at vælge baglæns omløb.
- ◆ Lås værktøjet ved at sætte skyderen til skift af retning (2) i midterstilling.

Indstilling af håndtaget (fig. F)

Håndtaget kan indstilles i tre forskellige positioner, hvilket gør (5) værktøjet mere alsidigt.

- ◆ Tryk på justeringsknappen for håndtag (4).
- ◆ Anbring savskoen (5) i den ønskede position.
- ◆ Tryk på justeringsknappen for håndtag (4).

Vedligeholdelse

Dit BLACK+DECKER-værktøj er beregnet til brug gennem lang tid med et minimum af vedligeholdelse. Vedvarende tilfredsstillende funktion er afhængig af, om apparatet plejes korrekt og rengøres regelmæssigt.

Opladeren kræver ingen vedligeholdelse, men skal rengøres jævnligt.

Advarsel! Tag batteriet ud af værktøjet, inden der foretages vedligeholdelse på værktøjet. Træk opladeren ud af stikkontakten, før den rengøres.

- ◆ Rengør regelmæssigt ventilationsåbningerne i dit værktøj og oplader med en blød børste eller en tør klud.
- ◆ Rengør med jævne mellemrum motorhuset med en fugtig klud. Der må ikke bruges skuremidler eller opløsningsmidler.
- ◆ Bank ind imellem regelmæssigt på bitholderen for at fjerne støv fra indersiden.

Miljøbeskyttelse



Særskilt bortskaffelse. Produkter og batterier mærket med dette symbol må ikke bortskaffes sammen med normalt husholdningsaffald.

Produktet og batterier indeholder materialer, der kan genvindes eller genbruges og således reducere efterspørgslen efter råvarer.

Genbrug venligst elektriske produkter og batterier i henhold til lokale bestemmelser. Yderligere oplysninger findes på www.2helpU.com

Tekniske data

BDCSFL20 H1		
Spænding	V _{DC}	3.6
Tomgangshastighed	Min ⁻¹	180
Maks. moment (PT1 vurdering)	Nm	5.5
Batteritype		Li-Ion
Batterikapacitet	Ah	1.5
Vægt	kg	0.35

Oplader 9062787*-01		
Indgangsspænding	V _{AC}	100 - 240
Udgangsspænding	V _{DC}	15
Strømstyrke	mA	150
Ladetid ca.	Timer	10

Lydtrykniveau i henhold til EN 62841:		
Lydtryk (L _{pa})	53 dB(A), usikkerhed (K) 3 dB(A)	
Lydeffekt (L _{wa})	64 dB(A), usikkerhed (K) 3 dB(A)	

Samlede værdier for vibration (triaksial vektorsum) i henhold til EN 62841:		
Iskrining uden slag (a _{1,eq})	0,3 m/s ² , usikkerhed (K) 1,5 m/s ²	

EU-overensstemmelseserklæring MASKINDIREKTIV



BDCSFL20 - skruetrækker

Black & Decker erklærer, at produkterne beskrevet under "Tekniske data" er i overensstemmelse med:

2006/42/EC, EN62841-1:2015, EN62841-2-2:2014,

Disse produkter er endvidere i overensstemmelse med direktiv 2014/30/EU og 2011/65/EU.

Kontakt Black & Decker på nedenstående adresse eller se vejledningens bagside for at få yderligere oplysninger.

Undertegnede er ansvarlig for udarbejdelsen af de tekniske data og fremsætter denne erklæring på vegne af
Black & Decker.

Ray Laverick

Direktør for konstruktioner

Black & Decker Europe, 210 Bath Road, Slough,

Berkshire, SL1 3YD

Storbritannien

17/05/2017

Garanti

Black & Decker er sikker på kvaliteten af sine produkter og tilbyder forbrugerne en garanti på 24 måneder fra købsdatoen. Garantien er et tillæg til forbrugers lovmæssige rettigheder og påvirker ikke disse. Garantien er gyldig inden for medlemsstaterne af Den Europæiske Union og Det Europæiske Frihandelsområde.

Når du gør krav på garantien, skal kravet være i overensstemmelse med Black & Decker vilkår og betingelser, og du skal indsende dokumentation for købet til sælgeren eller til en autoriseret reparatør. Vilkår og betingelser for Black & Decker 2 års garanti og placeringen af dit nærmeste autoriserede serviceværksted kan fås på internettet på www.2helpU.com, eller ved at kontakte dit lokale Black & Decker kontor på den adresse, der er angivet i denne vejledning.

Besøg venligst vores websted www.blackanddecker.co.uk for at registrere dit nye Black & Decker produkt og modtage opdateringer om nye produkter og specielle tilbud.

SUOMI

(Alkuperäisten ohjeiden käännös)

Käyttötarkoitus

BLACK+DECKER™ BDCSFL20 -ruuvinväänin on suunniteltu ruuvaamiseen. Tämä työkalu on tarkoitettu vain yksityiskäyttöön.

Turvallisuusohjeet

Sähkötyökalujen yleiset turvavaroitukset



Varoitus! Lue kaikki turvallisuusvaroitukset ja ohjeet. Alla olevien varoitusten ja ohjeiden noudattamisen laiminlyönti saattaa johtaa sähköiskuun, tulipaloon ja/tai vakavaan loukkaantumiseen.

Säästä kaikki varoitukset ja ohjeet tulevaa käyttöä varten. Ohjeissa käytetty käsite "sähkötyökalu" tarkoittaa verkkokäyttöisiä sähkötyökaluja (verkkojohdolla varustettuja) ja akkukäyttöisiä sähkötyökaluja (ilman verkkojohtoa).

1. Työalueen turvallisuus

- Pidä työalue puhtaana ja varmista sen hyvä valaistus.** Onnettomuuksia sattuu herkemmin epäsiistissä tai huonosti valaistussa ympäristössä.
- Älä käytä sähkötyökalua räjähdysalttiissa ympäristössä, jossa on syttyvää nestettä, kaasua tai pölyä.** Sähkötyökalujen aiheuttamat kipinät voivat sytyttää pölyn tai kaasut.
- Pidä lapset ja sivulliset loitolla sähkötyökalua käyttäessäsi.** Keskitymiskyvyn herpaantuminen voi aiheuttaa hallinnan menettämisen.

2. Sähköturvallisuus

- Sähkötyökalun pistokkeen on sovitava pistorasiaan. Älä koskaan tee pistokkeeseen mitään muutoksia. Älä yhdistä maadoitettua sähkötyökalua jatkojohtoon.** Sähköiskun vaara vähenee, jos pistokkeisiin ei tehdä muutoksia ja ne yhdistetään vain niille tarkoitettuihin pistorasioihin.
- Vältä koskettamasta maadoitettuja pintoja, kuten putkia, lämpöpattereita, liesiä tai jääkaappeja.** Voit saada sähköiskun, jos kehosi on maadoitettu.
- Älä altista sähkötyökalua sateelle tai kosteudelle.** Sähkötyökaluun menevä vesi lisää sähköiskun vaaraa.
- Älä käsittele virtajohtoa kovakouraisesti. Älä kannata työkaluja sähköjohdosta tai vedä pistoketta pistorasiasta sähköjohdon avulla. Pidä sähköjohto kaukana kuumuudesta, öljystä, terävistä reunoista tai liikkuvista osista.** Vaurioituneet tai sotkeutuneet johdot lisäävät sähköiskun vaaraa.
- Käyttäessäsi sähkötyökalua ulkona käytä ainoastaan ulkokäyttöön soveltuvaa jatkojohtoa.** Ulkokäyttöön tarkoitettu sähköjohdon käyttäminen vähentää sähköiskun vaaraa.
- Jos sähkötyökalua on välttämättä käytettävä kosteassa paikassa, käytä vikavirtasuojalla (RCD) suojattua virtalähdettä.** Tämä vähentää sähköiskun vaaraa.

3. Henkilöturvallisuus

- Ole valpas, keskity työhön ja noudata tervettä järkeä sähkötyökalun käytössä. Älä käytä tätä työkalua ollessasi väsynyt tai alkoholin, huumeiden tai lääkkeiden vaikutuksen alaisena.** Keskitymisen herpaantuminen hetkeksikin sähkötyökalua käytettäessä voi aiheuttaa vakavan henkilövahingon.
- Käytä henkilökohtaisia suojavarusteita. Käytä aina suojalaseja.** Hengityssuojaimen, liukumattomien turvajalkineiden, kypärän ja kuulosuojaimen käyttäminen vähentää henkilövahinkojen vaaraa.
- Vältä tahatonta käynnistämistä. Varmista, että kytkin on OFF-asennossa, ennen kuin liität laitteen virtalähteeseen ja/tai akkuun, nostat laitteen tai kannat**

sitä. Sähkötyökalun kantaminen sormi virtakytkimellä lisää onnettomuusvaaraa.

- Irrota mahdollinen säätö- tai kiintoavain ennen kuin käynnistät sähkötyökalun.** Sähkötyökalun pyöriivään osaan kiinni jäänyt avain voi johtaa loukkaantumiseen.
- Älä kurkota. Huolehdi siitä, että sinulla on koko ajan tukeva jalansija ja hyvä tasapaino.** Näin voit hallita sähkötyökalua paremmin odottamattomissa tilanteissa.
- Käytä tarkoitukseen soveltuvia vaatteita. Älä käytä löysiä vaatteita tai koruja. Pidä hiukset, vaatteet ja kädet loitolla liikkuvista osista.** Löysät vaatteet, korut tai pitkät hiukset voivat tarttua liikkuviin osiin.
- Jos työkalun voi liittää pölynimuriin, tarkista, että liitos on tehty asianmukaisesti ja että laitteita käytetään oikealla tavalla.** Pölyn ottaminen talteen voi vähentää pölyn aiheuttamia vaaroja.
- Vaikka käyttäisit usein työkaluja ja sinulla olisi niistä hyvä tuntemus, älä jätä lukematta työkalun turvallisuusohjeita.** Huolimattomuus voi johtaa vakaviin henkilövahinkoihin jopa sekunnin murto-osassa.

4. Sähkötyökalujen käyttö ja hoito

- Älä ylikuormita sähkötyökalua. Valitse käyttötarkoituksen kannalta oikea sähkötyökalu.** Sähkötyökalu toimii paremmin ja turvallisemmin, kun sitä käytetään sille suunniteltuun käyttötarkoitukseen.
- Älä käytä sähkötyökalua, jota ei voida käynnistää ja pysäyttää virtakytkimellä.** Jos sähkötyökalua ei voi hallita kytkimen avulla, se on vaarallinen ja se on korjattava.
- Irrota pistotulppa pistorasiasta ja/tai akku laitteesta ennen kuin suoritat säätöjä, vaihdat tarvikkeita tai siirät sähkötyökalun varastoitavaksi.** Näin voit vähentää vahingossa käynnistymisen aiheuttaman henkilövahingon vaaraa.
- Säilytä sähkötyökalut poissa lasten ulottuvilta, kun niitä ei käytetä. Älä anna sähkötyökalua sellaisen henkilön käyttöön, joka ei tunne sitä tai joka ei ole tutustunut tähän käyttöohjeeseen.** Sähkötyökalut ovat vaarallisia kouluttamattomien käyttäjien käsissä.
- Hoida sähkötyökalusi huolella. Tarkista, että liikkuvat osat toimivat moitteettomasti ja etteivät ne ole puristuksessa. Tarkista myös, ettei työkalussa ei ole murtuneita tai vahingoittuneita osia, jotka saattaisivat vaikuttaa haitallisesti sen toimintaan. Jos havaitset vaurioita, korjauta sähkötyökalu ennen niiden käyttämistä.** Huonosti kunnossapidetyt sähkötyökalut aiheuttavat onnettomuuksia.
- Pidä leikkausterät terävinä ja puhtaina.** Kunnossa pidettyjen leikkaavien teräviä reunoja sisältävien työkalut todennäköisyys jumiutua vähenee, ja niitä on helpompi hallita.

- g. Käytä sähkötyökaluja, tarvikkeita, vaihtoteriä yms. näiden ohjeiden mukaisesti. Ota tällöin huomioon työolosuhteet ja suoritettava toimenpide. Jos sähkötyökalua käytetään näiden ohjeiden vastaisesti, voi syntyä vaaratilanne.
- h. Pidä kahvat ja kädensijat kuivina ja puhtaina öljystä ja rasvasta. Liukkaat kahvat ja kädensijat estävät työkalun turvallisen käsittelyn ja hallinnan odottamattomissa tilanteissa.
5. Akkutyökalun käyttö ja huolto
- a. Lataa akku vain valmistajan määrittelemällä laturilla. Laturi, joka on sopiva yhden tyyppiselle akulle, voi aiheuttaa tulipalon vaaran, jos sitä käytetään toisen tyyppisellä akulla.
- b. Käytä sähkötyökalussa ainoastaan kyseiseen sähkötyökaluun tarkoitettua akkua. Muun tyyppisen akun käyttö saattaa johtaa loukkaantumiseen ja tulipaloon.
- c. Pidä irrallinen akku loitolla metalliesineistä, kuten paperiliittimistä, kolikoista, avaimista, nauloista, ruuveista tai muista pienistä metalliesineistä, jotka voivat aiheuttaa oikosulun akun navoissa. Kennon pinteiden oikosulku voi aiheuttaa palovammoja tai tulipalon.
- d. Väärin käytetystä akusta voi vuotaa nestettä. Älä kosketa sitä. Jos nesteen kanssa joutuu kosketuksiin, huuhtele vedellä. Jos nestettä joutuu silmiin, hakeudu lisäksi lääkärin hoitoon. Akusta roiskunut neste saattaa aiheuttaa ärsytystä tai palovammoja.
- e. Akkua tai työkalua ei saa käyttää, jos siinä on vaurioita tai sitä on muunneltu. Vaurioituneet tai muunnellut akut voivat johtaa odottamattomiin tilanteisiin ja vaarana ovat tulipalo, räjähdys ja henkilövahingot.
- f. Suojaa akku ja työkalu tulelta ja liian korkeilta lämpötiloilta. Se voi räjähtää yli 129 °C lämpötilassa.
- g. Noudata kaikkia latausohjeita. Akkua tai työkalua ei saa ladata ohjeissa määritetystä lämpötilavälisestä poikkeavassa lämpötilassa. Jos akku ladataan virheellisesti tai määritetystä lämpötilavälisestä poikkeavassa lämpötilassa, seurauksena voi olla akun vaurioituminen ja tulipalovaara.
6. Huolto
- a. Korjauta sähkötyökalu koulutetulla ja ammattitaitoisella henkilöllä ja hyväksy korjauksiin vain alkuperäisiä varaosia. Tämä varmistaa sähkötyökalun turvallisuuden.
- b. Älä koskaan huolla vaurioituneita akkuja. Ainoastaan valmistaja tai valtuutetut huoltoliikkeet saavat huoltaa akkuja.

Sähkötyökalujen lisäturvavaroitukset



Varoitus! Ruuvinvääntimien ja iskuvääntimien lisäturvavaroitukset

- ◆ **Pidä kiinni koneen eristetyistä tartuntapinnoista, jos kiinnitettäessä on vaara osua piilossa oleviin johtoihin.** Kiinnittämien osuminen jännitteeseen johtoon tekee sen paljaista metalliosista jännitteisiä, joten käyttäjä voi saada sähköiskun.
- ◆ **Käytä puristimia tai muuta käytännöllistä tapaa kiinnittää ja tukea työkappale tukevalle alustalle.** Työn pitäminen käsin tai vartaloa vasten on epävakaa ja saattaa johtaa kontrollin menetykseen.
- ◆ Tarkoitettu käyttö on kuvattu tässä käyttöohjeessa. Käytä työkalua ainoastaan sellaiseen työhön, johon se on tarkoitettu, ja käytä vain tässä käyttöohjeessa suositeltuja tarvikkeita ja lisälaitteita. Ohjeesta poikkeava käyttö voi aiheuttaa henkilö- ja/tai omaisuusvahinkoja.

Muiden henkilöiden turvallisuus

- ◆ Lapset, fyysisesti, aistillisesti tai henkisesti puutteelliset tai kokemattomat ja kouluttamattomat henkilöt, jotka eivät tunne näitä ohjeita, eivät saa koskaan käyttää konetta. Paikalliset määräykset voivat asettaa käyttäjän ikärajoituksia.
- ◆ Älä koskaan käytä laitetta muiden henkilöiden (erityisesti lapsien) tai eläinten läheisyydessä.

Sähkötyökalujen lisäturvavaroitukset



Varoitus! Valaisimien lisäturvavaroitukset

- ◆ Älä yritä korjata tai vaihtaa muita kuin tässä käyttöohjeessa erikseen määriteltyjä osia.
- ◆ Älä käytä laitetta, jos linssi on rikki tai se puuttuu kokonaan.
- ◆ Älä katso suoraan laitteen valoon tai suuntaa valoa toisten silmiä kohti.



Varoitus! Tulipalovaara. Älä käytä työvalaisinta tai laturia lähellä helposti syttyviä nesteitä tai kaasumaisessa tai räjähdysvaarallisessa ilmapirissä. Sisäiset kipinät saattavat sytyttää kaasut ja aiheuttaa henkilövahingon.

- ◆ Älä altista valaisinta tai laturia märille tai kosteille alueille. Älä jätä valaisinta tai laturia sateeseen tai lumeen.
- ◆ Älä pese valaisinta tai laturia vedellä tai anna veden päästä valaisimen tai laturin sisään. Älä koskaan upota valaisinta veteen.



Huomio! Kun työkalu ei ole käytössä, aseta se kyljelleen vakaalle pinnalle, jossa se ei aiheuta kaatumis- tai kompastumisvaaraa. Jotkut työkalut, joissa on suuret akkuyksiköt, seisovat pystyssä akkuyksikön varassa, mutta ne kaatuvat helpommin.

- ◆ Älä koskaan katso optisilla laitteilla suoraan valonlähteeseen.

Muut riskit

Myös muut kuin turvavaroituksissa mainitut riskit ovat mahdollisia työkalua käytettäessä. Nämä riskit voivat liittyä muun muassa virheelliseen tai pitkäaikaiseen käyttöön.

Tiettyjä jännönriskejä ei voi välttää, vaikka noudatetaan kaikkia turvamääräyksiä ja käytät turvalaitteita. Näitä ovat:

- ◆ Pyörivien tai liikkuvien osien koskettamisen aiheuttamat vahingot.
- ◆ Osia, teriä tai lisävarusteita vaihdettaessa aiheutuneet vahingot.
- ◆ Työkalun pitkäaikaisen käytön aiheuttamat vahingot. Varmista, että pidät säännöllisesti taukoja työkalun pitkäaikaisen käytön aikana.
- ◆ Kuulon heikkeneminen.
- ◆ Työkalua käytettäessä (esimerkiksi puuta, erityisesti tammea, pyökyä ja MDF-levyjä, käsiteltäessä) syntyneen pölyn sisäinhengityksen aiheuttamat terveysriskit.

Tärinä

Teknisissä tiedoissa ja vaatimustenmukaisuusvakuutuksessa ilmoitettu tärinäpäästöarvo on mitattu EN62841-standardin testausmenetelmän mukaisesti, ja arvoa voi käyttää työkalujen keskinäiseen vertailuun. Ilmoitettua tärinäpäästöarvoa voi käyttää myös altistumisen alustavaan arviointiin.

Varoitus! Sähkötyökalun käytön aikana mitattu todellinen tärinäpäästöarvo voi poiketa ilmoitetusta tärinäpäästöarvosta työkalun käyttötavan mukaan. Tärinätaaso voi olla ilmoitettua tasoa suurempi. Kun tärinälle altistumista arvioidaan sen määrittämiseksi, mitä direktiivin 2002/44/EY mukaisia turvatoimenpiteitä vaaditaan sähkötyökaluja säännöllisesti käyttävien henkilöiden suojelemiseksi, tärinälle altistumisen arvioinnissa on otettava huomioon todelliset käyttöolosuhteet ja työkalun käyttötavat. Todellisen käytön lisäksi on kiinnitettävä huomiota myös siihen, milloin työkalu on sammutettuna tai se käy tyhjäkäynnillä.

Työkalun tarrat

Työkalussa on seuraavat symbolit sekä päivämääräkoodi:



Varoitus! Käyttäjän on luettava käyttöohje vahinkojen välttämiseksi.

Akkuja ja laturia koskevat lisäturvaohjeet

Akut

- ◆ Älä koskaan yritä avata mistään syystä.
- ◆ Älä anna akun kastua.
- ◆ Älä säilytä paristoja tiloissa, joissa lämpötila voi nousta yli 40 °C:een.
- ◆ Lataa akku paikassa, jonka lämpötila on vähintään 10 °C ja enintään +40 °C.
- ◆ Lataa akku ainoastaan työkalun mukana toimitetulla laturilla.
- ◆ Noudata paristoja hävittäessäsi kohdassa "Ympäristön-suojelu" annettuja ohjeita.



Älä koskaan yritä ladata viallisia akkuja.

Laturit

- ◆ Käytä BLACK+DECKER-laturia vain laitteen mukana toimitetun akun lataamiseen. Muut akut voivat räjähtää ja aiheuttaa henkilövahinkoja tai aineellisia vahinkoja.
- ◆ Älä koskaan yritä ladata paristoja, joita ei ole tarkoitettu ladattavaksi.
- ◆ Vaihda vialliset johdot välittömästi ehjiin.
- ◆ Suojaa laturi vedeltä.
- ◆ Älä avaa laturia.
- ◆ Älä työnnä mitään laturin sisään.



Laturi on tarkoitettu ainoastaan sisäkäyttöön.



Lue käyttöohjeet huolellisesti ennen laitteen käyttöä.

Sähköturvallisuus



Laturi on kaksoeristetty, joten erillistä maadoitusta ei tarvita. Tarkista aina, että verkkojännite vastaa arvokilvessä ilmoitettua jännitettä. Älä yritä vaihtaa laturiin tavallista verkkovirran pistoketta.

- ◆ Jos virtajohto vahingoittuu, sen vaihtaminen on turvallisuussyistä jätettävä valmistajan tai valtuutetun BLACK+DECKER-huollon tehtäväksi.

Yleiskuvaus

Tässä työkalussa on joitakin tai kaikki seuraavista ominaisuuksista.

1. Virtakytkin
2. Eteen-/taaksepäin-liukusäädin
3. Terän pidike
4. Kahvan säätöpainike
5. Kahva
6. Laturiliitäntä
7. Valaisin
8. Valaisimen painike

Työkälun lataaminen (kuva A)

Lataa akku ennen ensimmäistä käyttökertaa ja aina, kun se ei enää tuota riittävästi virtaa toimintoihin, jotka aiemmin sujuivat helposti. Akku voi lämmetä ladattaessa. Tämä on normaalia, eikä se ole merkki mistään viasta.

Varoitus! Lataa akku ainoastaan työkalun mukana toimitetulla laturilla.

- ◆ Akku ladataan työntämällä laturin pistoke (6a) liitäntään (6).
- ◆ Kytke laturi pistorasiaan.
- ◆ Anna laitteen olla liitettyä laturiin 10 tuntia.

Laturi voi surista ja lämmetä ladattaessa. Tämä on normaalia, eikä se ole merkki mistään viasta.

Varoitus! Älä lataa akkua alle 10 °C tai yli 40 °C asteen lämpötilassa. Suositeltava latauslämpötila on 24 °C.

Poranterän tai ruuviavaimen kiinnittäminen tai poistaminen (kuva B)

Varoitus! Varmista ennen lisävarusteiden asentamista tai irrottamista, että työkalu on lukitussa asennossa virtakytkimen tahattoman käytön estämiseksi.

- ◆ Kiinnitä ruuvauskärki (9) työntämällä sitä kärjen pidikkeeseen (3), kunnes se on paikallaan.
- ◆ Irrota ruuviavain vetämällä se suoraan ruuviavainpidikkeestä ulos.

Käyttö

Varoitus! Anna työkalun käydä omaan tahtiinsa. Älä ylikuormita sitä.

Valaisimen käyttäminen (kuva C)

- ◆ Kytke valaisin (7) päälle painamalla valaisimen painiketta (8).
- ◆ Kytke valaisin (7) pois päältä painamalla valaisimen painiketta (8) uudelleen.

Käynnistys ja pysäytys (kuva D)

- ◆ Kytke laite päälle painamalla virtakytkintä (1) pitkään.
- ◆ Sammuta laite vapauttamalla virtakytkin (1).

Pyörimissuunnan valitseminen (kuva E)

Käytä ruuvien kiristämiseen ja aloitusreikien poraamiseen eteenpäin suuntautuvaa pyörimisliikettä (myötäpäivään). Käytä ruuvien irrottamiseen tai jumituneen poranterän irrottamiseen taaksepäin suuntautuvaa pyörimisliikettä (vastapäivään).

- ◆ Valitse pyörimissuunta eteenpäin työntämällä eteen-/taaksepäin-liikusäädintä (2) oikealle.
- ◆ Valitse pyörimissuunta taaksepäin työntämällä eteen-/taaksepäin-liikusäädintä (2) vasemmalle.
- ◆ Lukitse työkalu siirtämällä eteen-/taaksepäin-liikusäädin (2) keskelle.

Kahvan säätäminen (kuvat F)

Käyttömukavuuden parantamiseksi kahva voidaan (5) asettaa kolmeen eri asentoon.

- ◆ Paina kahvan säätöpainiketta (4).
- ◆ Siirrä sahausjalka (5) haluamaasi asentoon.
- ◆ Paina kahvan säätöpainiketta (4).

Huolto


BLACK+DECKER-työkalu on suunniteltu toimimaan mahdollisimman pitkän aikaa mahdollisimman vähällä huollolla. Oikea käsittely ja säännöllinen puhdistus varmistavat laitteen ongelmattoman toiminnan.

Laturi ei tarvitse säännöllisen puhdistamisen lisäksi mitään muuta huoltoa.

Varoitus! Poista akku ennen työkalun huoltamista. Irrota laturi pistorasiasta ennen laturin puhdistamista.

- ◆ Puhdista työkalun ja laturin ilma-aukot säännöllisesti pehmeällä harjalla tai kuivalla liinalla.
- ◆ Puhdista moottorikotelo säännöllisesti kostealla liinalla. Älä käytä hankaavia tai liuotinpohjaisia puhdistusaineita.
- ◆ Napauta terän pidikettä säännöllisesti poistaaksesi mahdollisen pölyn sen sisältä.

Ympäristönsuojelu

 Toimita tämä laite erilliskeräykseen. Tällä symbolilla merkityt tuotteet ja akkuja ei saa hävittää tavallisen kotitalousjätteen mukana.

Tuotteissa ja akuissa on materiaaleja, jotka voidaan ottaa talteen tai kierrättää uudelleen käyttöä varten.

Kierrätä sähkölaitteet ja akut paikallisten määräyksien mukaan. Lisätietoa on saatavilla osoitteessa

www.2helpU.com

Tekniset tiedot

BDCSFL20 H1		
Jännite	V _{DC}	3,6
Kuormittamaton nopeus	Min ⁻¹	180
Maks. vääntömomentti (Tehonotto)	Nm	5,5
Akkutyyppi		Li-Ion
Akun kapasiteetti	Ah	1,5
Paino	kg	0,35

Laturi 9062787*-01		
Tulojännite	V _{AC}	100 - 240
Lähtöjännite	V _{DC}	15
Virta	mA	150
Arvioitu latausaika	Tuntia	10

Äänenpainetaso, määritetty EN 62841-standardin mukaan:
Äänenpaine (L _{pa}) 53 dB(A), epätarkkuus (K) 3 dB(A)
Äänitehotaso (L _{wa}) 64 dB(A), epätarkkuus (K) 3 dB(A)

Tärinän kokonaisarvot (vektorisumma) standardin EN 62841 mukaisesti:
Ruuvinvääntö ilman iskutoimintoa (a _{n,ISO}) 0,3 m/s ² , epätarkkuus (K) 1,5 m/s ²

EY-vaatimustenmukaisuusvakuutus
KONEDIREKTIIVI

BDCSFL20 Ruuvinväännin säilytyslokerolla Black & Decker ilmoittaa, että tuotteet, jotka on kuvattu kohdassa Tekniset tiedot, täyttävät seuraavien direktiivien vaatimukset:

2006/42/EY, EN62841-1:2015, EN62841-2-2:2014. Nämä tuotteet täyttävät myös direktiivien 2014/30/EU ja 2011/65/EU vaatimukset.

Lisätietoja saa ottamalla yhteyden Black & Deckeriin seuraavassa osoitteessa. Tiedot ovat myös käyttöohjeen takakannessa.

Allekirjoittanut vastaa teknisten tietojen kokoamisesta tehden tämän ilmoituksen Black & Deckerin puolesta.

Ray Laverick

Teknisen osaston johtaja

Black & Decker Europe, 210 Bath Road, Slough, Berkshire, SL1 3YD

Iso-Britannia

17/05/2017

Takuu

Black & Decker on vakuuttanut tuotteidensa korkeasta laadusta ja tarjoaa kuluttajille 24 kuukauden takuun, joka astuu voimaan ostopäivänä. Takuu on lisäys kuluttajan laillisiin oikeuksiin eikä vaikuta niihin. Tämä takuu on voimassa kaikissa EU- ja ETA-maissa.

Edellytyksenä takuun saamiselle on, että vaade täyttää Black & Deckerin ehdot ja että ostaja toimittaa ostotositteen jälleenympärylle tai valtuutetulle huoltoilikkeelle. Black & Deckerin kahden vuoden takuun ehdot ja lähimmän valtuutetun korjauspalvelun yhteystiedot ovat saatavilla osoitteessa www.2helpU.com tai ottamalla yhteyttä paikalliseen Black & Deckerin toimipisteeseen tässä ohjekirjassa ilmoitettuihin osoitteisiin.

Käy verkkosivuiltamme osoitteessa www.blackanddecker.fi ja rekisteröi uusi Black & Decker -tuotteesi saadaksesi tietoa uusista tuotteista ja erikoistarjouksista.

Προβλεπόμενη χρήση

Το καταβίδι σας BLACK+DECKER™ BDCSFL20 έχει σχεδιαστεί για εφαρμογές βιδώματος. Αυτό το εργαλείο προορίζεται μόνο για καταναλωτική χρήση.

Οδηγίες ασφαλείας**Γενικές προειδοποιήσεις ασφαλείας για ηλεκτρικά εργαλεία**

Προειδοποίηση! Διαβάστε όλες τις προειδοποιήσεις ασφαλείας και όλες τις οδηγίες. Η μη τήρηση των παρακάτω προειδοποιήσεων και οδηγιών μπορεί να προκαλέσει ηλεκτροπληξία, πυρκαγιά και/ή σοβαρές σωματικές βλάβες.

Φυλάξτε όλες τις προειδοποιήσεις και τις οδηγίες για μελλοντική αναφορά. Ο όρος "ηλεκτρικό εργαλείο" που χρησιμοποιείται σε όλες τις παρακάτω προειδοποιήσεις, αναφέρεται είτε σε εργαλείο που λειτουργεί με ρεύμα δικτύου (ρεύματος - με καλώδιο) είτε σε εργαλείο που λειτουργεί με μπαταρία (μπαταρίας - χωρίς καλώδιο).

1. Ασφάλεια χώρου εργασίας

- Διατηρείτε το χώρο εργασίας καθαρό και καλά φωτισμένο.** Οι ατακτοποιητοί ή σκοτεινοί χώροι γίνονται αιτίες ατυχημάτων.
- Μη χρησιμοποιείτε ηλεκτρικά εργαλεία σε περιβάλλον όπου υπάρχει κίνδυνος έκρηξης, όπως με παρουσία εύφλεκτων υγρών, αερίων ή σκόνης.** Τα ηλεκτρικά εργαλεία παράγουν σπινθήρες που μπορεί να προκαλέσουν ανάφλεξη της σκόνης ή των αναθυμιάσεων.
- Όταν χρησιμοποιείτε ηλεκτρικό εργαλείο, κρατάτε μακριά τα παιδιά και άλλα άτομα.** Παράγοντες που αποσπούν την προσοχή μπορεί να σας κάνουν να χάσετε τον έλεγχο.

2. Ασφαλής χρήση ηλεκτρικού ρεύματος

- Το φως του καλωδίου του ηλεκτρικού εργαλείου πρέπει να ταιριάζει στην αντίστοιχη πρίζα. Σε καμία περίπτωση μην τροποποιήσετε το φως, με κανένα τρόπο. Μη χρησιμοποιείτε φως προσαρμογής με γειωμένα ηλεκτρικά εργαλεία.** Τα φως που δεν έχουν υποστεί τροποποιήσεις και οι κατάλληλες πρίζες μειώνουν τον κίνδυνο ηλεκτροπληξίας.
- Αποφεύγετε την επαφή του σώματός σας με γειωμένες επιφάνειες, όπως σωλήνες, καλοριφέρ, κουζίνες και ψυγεία.** Υπάρχει αυξημένος κίνδυνος ηλεκτροπληξίας αν το σώμα σας είναι γειωμένο.
- Μην εκθέτετε τα ηλεκτρικά εργαλεία σε βροχή ή υγρασία.** Η διείσδυση νερού σε ένα ηλεκτρικό εργαλείο αυξάνει τον κίνδυνο ηλεκτροπληξίας.

- δ. Μην κακομεταχειρίζεστε το καλώδιο. Ποτέ μη χρησιμοποιείτε το καλώδιο για να μεταφέρετε το ηλεκτρικό εργαλείο, να το τραβήξετε ή να το αποσυνδέσετε από την πρίζα. Κρατάτε το καλώδιο μακριά από θερμότητα, λάδια, αιχμηρά άκρα ή κινούμενα μέρη. Τα καλώδια που έχουν υποστεί ζημιά ή είναι μπερδεμένα αυξάνουν τον κίνδυνο ηλεκτροπληξίας.
- ε. Όταν χρησιμοποιείτε ηλεκτρικό εργαλείο σε εξωτερικούς χώρους, να χρησιμοποιείτε πάντοτε καλώδιο επέκτασης κατάλληλο για χρήση σε εξωτερικούς χώρους. Η χρήση καλωδίου κατάλληλου για εργασία σε εξωτερικούς χώρους μειώνει τον κίνδυνο ηλεκτροπληξίας.
- στ. Εάν είναι αναπόφευκτη η χρήση ενός ηλεκτρικού εργαλείου σε συνθήκες υγρασίας, χρησιμοποιήστε μια διάταξη προστασίας από ρεύμα διαρροής (RCD). Η χρήση μιας διάταξης RCD μειώνει τον κίνδυνο ηλεκτροπληξίας.
3. Προσωπική ασφάλεια
- α. Όταν χρησιμοποιείτε ηλεκτρικό εργαλείο, να είστε σε εγρήγορση, να συγκεντρώνεστε στην εργασία που κάνετε και να επιστρατεύετε την κοινή λογική. Μη χρησιμοποιείτε ηλεκτρικό εργαλείο όταν είστε κουρασμένος/η ή υπό την επήρεια ναρκωτικών, οινοπνεύματος ή φαρμακευτικής αγωγής. Μια στιγμή απροσεξίας κατά τη χρήση ηλεκτρικών εργαλείων μπορεί να προκαλέσει σοβαρό τραυματισμό.
- β. Να χρησιμοποιείτε ατομικό εξοπλισμό προστασίας. Πάντα φοράτε προστασία ματιών. Ο εξοπλισμός προστασίας, όπως μάσκα κατά της σκόνης, αντιολισθητικά παπούτσια ασφαλείας, κράνος ή προστασία ακοής, όταν χρησιμοποιείται για τις κατάλληλες συνθήκες, θα μειώσει τους τραυματισμούς και τις σωματικές βλάβες.
- γ. Αποτρέπετε την ακούσια ενεργοποίηση. Βεβαιωθείτε ότι ο διακόπτης βρίσκεται στη θέση απενεργοποίησης, πριν συνδέσετε το εργαλείο στην πηγή ρεύματος και/ή τοποθετήσετε το πακέτο μπαταρίας, καθώς και πριν πάρετε στα χέρια σας ή μεταφέρετε το εργαλείο. Η μεταφορά ηλεκτρικών εργαλείων με το δάχτυλο πάνω στο διακόπτη ή η σύνδεση στο ρεύμα ηλεκτρικών εργαλείων με το διακόπτη στη θέση ενεργοποίησης, ενέχει κινδύνους ατυχημάτων.
- δ. Πριν θέσετε το ηλεκτρικό εργαλείο σε λειτουργία, αφαιρέστε τυχόν εργαλεία ή κλειδιά ρύθμισης. Εάν αφήσετε ένα εργαλείο ή κλειδί πάνω σε κάπιο περιστρεφόμενο εξάρτημα του ηλεκτρικού εργαλείου, μπορεί να προκληθούν τραυματισμοί.
- ε. Μην τεντώνετε. Διατηρείτε πάντα σταθερή στήριξη στα πόδια σας και καλή ισορροπία. Έτσι μπορείτε να έχετε καλύτερο έλεγχο του ηλεκτρικού εργαλείου σε μη αναμενόμενες καταστάσεις.

- στ. Φοράτε κατάλληλη ενδυμασία εργασίας. Μη φοράτε φαρδιά ρούχα ούτε κοσμήματα. Κρατάτε τα μαλλιά, τα ρούχα και τα γάντια σας μακριά από κινούμενα μέρη. Τα χαλαρά ρούχα, τα κοσμήματα και τα μακριά μαλλιά μπορούν να πιαστούν σε κινούμενα μέρη.
- ζ. Αν παρέχονται διατάξεις για τη σύνδεση συστημάτων απομάκρυνσης και συλλογής της σκόνης, βεβαιωθείτε ότι αυτές είναι συνδεδεμένες και χρησιμοποιούνται κατάλληλα. Η χρήση διατάξεων συλλογής της σκόνης μπορεί να μειώσει τους κινδύνους που προέρχονται από τη σκόνη.
- η. Μην αφήνετε την εξοικείωση που έχετε αποκτήσει από τη συχνή χρήση εργαλείων να σας επιτρέψει να εφησυχάσετε ώστε να αγνοήσετε τις αρχές ασφαλούς χρήσης των εργαλείων. Μια απρόσεκτη ενέργεια μπορεί να προκαλέσει βαρύ τραυματισμό μέσα σε κλάσματα του δευτερολέπτου.

4. Χρήση και φροντίδα ηλεκτρικών εργαλείων

- α. Μην υπερφορτώνετε το ηλεκτρικό εργαλείο. Χρησιμοποιείτε το σωστό ηλεκτρικό εργαλείο για την εφαρμογή σας. Το σωστό ηλεκτρικό εργαλείο θα εκτελέσει την εργασία καλύτερα και ασφαλέστερα, με την ένταση χρήσης για την οποία σχεδιάστηκε.
- β. Μη χρησιμοποιήσετε ηλεκτρικό εργαλείο αν ο διακόπτης του δεν μπορεί να το ενεργοποιεί και απενεργοποιεί. Ένα ηλεκτρικό εργαλείο του οποίου η λειτουργία δεν μπορεί να ελεγχθεί με το διακόπτη είναι επικίνδυνο και πρέπει να επισκευαστεί.
- γ. Αποσυνδέστε το φως από την πηγή ρεύματος και/ή το πακέτο μπαταρίας από το ηλεκτρικό εργαλείο, πριν διεξάγετε οποιαδήποτε ρύθμιση, αλλαγή εξαρτήματος ή όταν πρόκειται να αποθηκεύσετε το ηλεκτρικό εργαλείο. Έτοιμα προληπτικά μέτρα ασφαλείας μειώνουν τον κίνδυνο αθέλητης εκκίνησης του ηλεκτρικού εργαλείου.
- δ. Να φυλάσσετε μακριά από παιδιά τα ηλεκτρικά εργαλεία που δεν χρησιμοποιείτε. Μην αφήνετε να χρησιμοποιήσουν ηλεκτρικό εργαλείο άτομα που δεν είναι εξοικειωμένα με αυτό ή άτομα που δεν έχουν διαβάσει αυτές τις οδηγίες χρήσης. Τα ηλεκτρικά εργαλεία είναι επικίνδυνα στα χέρια μη εκπαιδευμένων χρηστών.
- ε. Να συντηρείτε τα ηλεκτρικά εργαλεία. Ελέγχετε για προβλήματα ευθυγράμμισης ή για μάγκωμα των κινούμενων εξαρτημάτων, θραύση εξαρτημάτων, καθώς και για οποιοδήποτε άλλο πρόβλημα μπορεί να επηρεάσει τη λειτουργία των ηλεκτρικών εργαλείων. Αν το ηλεκτρικό εργαλείο έχει υποστεί ζημιά, φροντίστε να επισκευαστεί πριν το χρησιμοποιήσετε. Η ανεπαρκής συντήρηση των ηλεκτρικών εργαλείων αποτελεί αιτία πολλών ατυχημάτων.

- στ. Διατηρείτε τα κοπτικά εργαλεία κοφτερά και καθαρά. Τα κοπτικά εργαλεία με κοφτερές κοπτικές αιχμές που συντηρούνται σωστά έχουν λιγότερες πιθανότητες να μαγκώσουν και ελέγχονται ευκολότερα.
- ζ. Να χρησιμοποιείτε το ηλεκτρικό εργαλείο, τα αξεσουάρ και τις μύτες των εργαλείων κλπ. σύμφωνα με τις παρούσες οδηγίες, λαμβάνοντας υπόψη σας τις συνθήκες εργασίας και την εργασία που θέλετε να εκτελέσετε. Η χρήση του ηλεκτρικού εργαλείου για εργασίες διαφορετικές από τις προβλεπόμενες θα μπορούσε να οδηγήσει σε επικίνδυνη κατάσταση.
- η. Διατηρείτε τις λαβές και τις επιφάνειες κρατήματος στεγνές, καθαρές και απαλλαγμένες από λάδι και γράσο. Οι ολισθητές λαβές και επιφάνειες κρατήματος δεν επιτρέπουν τον ασφαλή χειρισμό και έλεγχο του εργαλείου σε μη αναμενόμενες καταστάσεις.
5. Χρήση και φροντίδα εργαλείων μπαταρίας
- α. Να επαναφορτίζετε μόνο με το φορτιστή που καθορίζει ο κατασκευαστής. Ένας φορτιστής που είναι κατάλληλος για ένα τύπο πακέτου μπαταρίας μπορεί να δημιουργήσει κίνδυνο πυρκαγιάς όταν χρησιμοποιείται με άλλο πακέτο μπαταρίας.
- β. Χρησιμοποιείτε τα ηλεκτρικά εργαλεία αποκλειστικά και μόνο με τα ειδικά καθοριζόμενα πακέτα μπαταριών. Η χρήση άλλων πακέτων μπαταριών μπορεί να προκαλέσει κίνδυνο τραυματισμού και πυρκαγιάς.
- γ. Όταν το πακέτο μπαταρίας δεν χρησιμοποιείται, κρατάτε το μακριά από άλλα μεταλλικά αντικείμενα, όπως συνδετήρες, κέρματα, κλειδιά, καρφιά, βίδες ή άλλα μικρά μεταλλικά αντικείμενα που μπορούν να βραχυκυκλώσουν τους δύο ακροδέκτες του. Αν βραχυκυκλωθούν οι ακροδέκτες της μπαταρίας, μπορεί να προκληθούν εγκαύματα ή πυρκαγιά.
- δ. Αν οι μπαταρίες υποστούν κακομεταχείριση, μπορεί να διαρρεύσει υγρό. Αποφύγετε την επαφή. Αν κατά λάθος έρθετε σε επαφή, ξεπλύνετε με νερό. Σε περίπτωση που το υγρό έλθει σε επαφή με τα μάτια σας, ζητήστε επιπλέον και ιατρική βοήθεια. Το υγρό που εξέρχεται από την μπαταρία μπορεί να προκαλέσει ερεθισμούς ή εγκαύματα.
- ε. Μη χρησιμοποιήσετε πακέτο μπαταρίας ή εργαλείο που έχει υποστεί ζημιά ή τροποποίηση. Οι μπαταρίες που έχουν υποστεί ζημιά ή τροποποίηση μπορεί να φωνιά, έκρηξη ή κίνδυνο τραυματισμού.
- στ. Μην εκθέσετε ένα πακέτο μπαταρίας ή εργαλείο σε φωτιά ή υπερβολική θερμοκρασία. Η έκθεση σε φωτιά ή σε θερμοκρασία πάνω από 129 °C μπορεί να προκαλέσει έκρηξη.
- ζ. Τηρείτε όλες τις οδηγίες φόρτισης και μη φορτίζετε το πακέτο μπαταρίας ή το εργαλείο εκτός των ορίων

θερμοκρασίας που ορίζονται στις προδιαγραφές. Η ακατάλληλη φόρτιση ή η φόρτιση σε θερμοκρασίες εκτός των προβλεπόμενων ορίων μπορεί να προξενήσει ζημιά στην μπαταρία και να αυξήσει τον κίνδυνο φωτιάς.

6. Σέρβις
- α. Το σέρβις του ηλεκτρικού σας εργαλείου πρέπει να αναλαμβάνει έμπειρος τεχνικός που θα χρησιμοποιεί μόνο γνήσια ανταλλακτικά. Έτσι θα εξασφαλίσετε τη διατήρηση της ασφάλειας του ηλεκτρικού εργαλείου.
- β. Ποτέ μην κάνετε σέρβις σε πακέτα μπαταριών που έχουν υποστεί ζημιά. Το σέρβις των πακέτων μπαταριών πρέπει να γίνεται μόνο από τον κατασκευαστή ή από εξουσιοδοτημένους παρόχους σέρβις.

Πρόσθετες προειδοποιήσεις ασφαλείας για ηλεκτρικά εργαλεία



Προειδοποίηση! Συμπληρωματικές προειδοποιήσεις ασφαλείας για κατασβίδια και κρουστικά κλειδιά

- ♦ Κρατάτε το ηλεκτρικό εργαλείο από μονωμένες επιφάνειες λαβής όταν εκτελείτε μια εργασία όπου το στοιχείο στερέωσης μπορεί να έρθει σε επαφή με αθάνατα καλώδια. Αν το στοιχείο στερέωσης έρθει σε επαφή με καλώδιο υπό τάση μπορεί να τεθούν υπό ηλεκτρική τάση και τα εκτεθειμένα μεταλλικά μέρη του ηλεκτρικού εργαλείου και να προκληθεί ηλεκτροπληξία στο χειριστή.
- ♦ Χρησιμοποιείτε σφιγκτήρες ή άλλο πρακτικό τρόπο για να στερεώνετε και να στηρίζετε το αντικείμενο εργασίας σε σταθερό υπόβαθρο. Αν κρατάτε το τεμάχιο εργασίας με το χέρι σας ή κόντρα στο σώμα σας, αυτό δεν είναι σταθερό και μπορεί να προκληθεί απώλεια ελέγχου.
- ♦ Η προβλεπόμενη χρήση περιγράφεται στο παρόν εγχειρίδιο οδηγιών. Η χρήση οποιουδήποτε αξεσουάρ ή προσαρτήματος ή η εκτέλεση οποιασδήποτε εργασίας με αυτό το εργαλείο διαφορετικής από αυτές που συνιστώνται στο παρόν εγχειρίδιο οδηγιών ενδέχεται να εγκυμονεί κίνδυνο σωματικής βλάβης και/ή υλικών ζημιών.

Ασφάλεια τρίτων

- ♦ Σε καμία περίπτωση μην επιτρέπετε σε παιδιά, σε άτομα με μειωμένες σωματικές, αισθητηριακές ή διανοητικές ικανότητες ή με έλλειψη εμπειρίας και γνώσης ή σε άτομα μη εξοικειωμένα με τις παρούσες οδηγίες να χρησιμοποιήσουν το μηχανήμα, τοπικοί κανονισμοί μπορεί να θέτουν όρια στην ηλικία του χειριστή.

- ◆ Μη χρησιμοποιείτε ποτέ τη μηχανή όταν υπάρχουν κοντά άνθρωποι και ιδιαίτερα παιδιά, ή κατοικίδια ζώα.

Πρόσθετες προειδοποιήσεις ασφαλείας για ηλεκτρικά εργαλεία



Προειδοποίηση! Συμπληρωματικές προειδοποιήσεις ασφαλείας για φακούς

- ◆ Μην επιχειρήσετε ποτέ να αφαιρέσετε ή να αντικαταστήσετε οποιοδήποτε εξάρτημα, εκτός από αυτά που καθορίζονται σε αυτό το εγχειρίδιο.
- ◆ Μη χρησιμοποιείτε το εργαλείο χωρίς το κρύσταλλο τοποθετημένο ή εάν υπάρχει βλάβη στο κρύσταλλο.
- ◆ Μην κοιτάτε ποτέ απευθείας το φως και μην το στρέψετε στα μάτια τρίτων προσώπων.



Προειδοποίηση! Κίνδυνος πυρκαγιάς. Μη χρησιμοποιείτε το φως εργασίας ή το φορτιστή κοντά σε εύφλεκτα υγρά ή σε περιβάλλον με αέρια ή με εκρήξιμες ιδιότητες. Σπινθήρες στο εσωτερικό της συσκευής μπορεί να προκαλέσουν ανάφλεξη αναθυμιάσεων προκαλώντας τραυματισμό.

- ◆ Μην εκθέτετε το φως ή το φορτιστή σε περιοχές με υγρασία ή νερό. Μην εκθέτετε το φως ή το φορτιστή σε βροχή ή χιόνι.
- ◆ Μην πλένετε το φως ή το φορτιστή με νερό και μην επιτρέπετε την είσοδο νερού στο φως ή το φορτιστή. Μην βυθίσετε ποτέ το φως σε νερό.



Προσοχή! Όταν δεν χρησιμοποιείτε το εργαλείο, τοποθετείτε το στο πλάι του πάνω σε μια σταθερή επιφάνεια όπου δεν θα προκαλέσει κίνδυνο λόγω παραπατήματος ή πτώσης. Ορισμένα εργαλεία με μεγάλα πακέτα μπαταριών μπορούν να στέκονται όρθια πάνω στο πακέτο μπαταριών αλλά μπορεί να πέσουν εύκολα αν στρωχθούν.

- ◆ Μην κοιτάτε απευθείας με οπτικά όργανα τη φωτεινή πηγή.

Υπολειπόμενοι κίνδυνοι.

Κατά τη χρήση του εργαλείου μπορεί να δημιουργηθούν πρόσθετοι υπολειπόμενοι κίνδυνοι, οι οποίοι ενδέχεται να μη συμπεριλαμβάνονται στις προειδοποιήσεις ασφαλείας που εσωκλείονται. Αυτοί οι κίνδυνοι μπορεί να προκληθούν από κακή χρήση, παρατεταμένη χρήση κλπ. Παρά την εφαρμογή των σχετικών κανονισμών ασφαλείας και τη χρήση διατάξεων ασφαλείας, ορισμένοι υπολειπόμενοι κίνδυνοι δεν είναι δυνατό να αποφευχθούν. Αυτοί περιλαμβάνουν:

- ◆ Τραυματισμοί από επαφή με περιστρεφόμενα/κινούμενα μέρη.

- ◆ Τραυματισμοί κατά την αλλαγή οποιουδήποτε εξαρτημάτων, λάμας ή αξεσουάρ.
- ◆ Σωματικές βλάβες από παρατεταμένη χρήση του εργαλείου. Όταν χρησιμοποιείτε οποιοδήποτε εργαλείο για παρατεταμένα χρονικά διαστήματα, μην παραλείπετε με κανένα τρόπο να κάνετε τακτικά διαλείμματα.
- ◆ Βλάβη της ακοής.
- ◆ Κίνδυνοι για την υγεία λόγω εισπνοής σκόνης που αναπτύσσεται κατά τη χρήση του εργαλείου σας (παράδειγμα: εργασία με ξύλο, ειδικά βελανιδιά, οξιά και MDF.)

Κραδασμοί

Η δηλωμένη τιμή εκπομπής κραδασμών που αναφέρεται στα τεχνικά χαρακτηριστικά και τη δήλωση συμμόρφωσης έχει μετρηθεί σύμφωνα με τυποποιημένη μέθοδο δοκιμής που προβλέπεται από το πρότυπο EN62841 και μπορεί να χρησιμοποιηθεί για τη σύγκριση ενός εργαλείου με ένα άλλο. Η δηλωμένη τιμή εκπομπής κραδασμών μπορεί επίσης να χρησιμοποιηθεί σε έναν προκαταρκτικό προσδιορισμό της έκθεσης σε κραδασμούς.

Προειδοποίηση! Στην πράξη, η τιμή εκπομπής κραδασμών κατά την χρήση του ηλεκτρικού εργαλείου μπορεί να διαφέρει από την τιμή που δηλώθηκε, ανάλογα με τον τρόπο που χρησιμοποιείται το εργαλείο. Το επίπεδο κραδασμών μπορεί να αυξηθεί πάνω από το επίπεδο που έχει δηλωθεί. Κατά τον προσδιορισμό της έκθεσης σε κραδασμούς για τον καθορισμό των απαιτούμενων μέτρων ασφαλείας σύμφωνα με την οδηγία 2002/44/EK για την προστασία προσώπων που χρησιμοποιούν συχνά ηλεκτρικά εργαλεία στην εργασία τους, μια προσεγγιστική εκτίμηση της έκθεσης σε κραδασμούς πρέπει να λαμβάνει υπόψη τις πραγματικές συνθήκες χρήσης και τον τρόπο χρήσης του εργαλείου, συμπεριλαμβανομένων και όλων των επιμέρους τμημάτων του κύκλου εργασίας, όπως τα χρονικά διαστήματα που το εργαλείο ήταν εκτός λειτουργίας και τα διαστήματα λειτουργίας χωρίς φορτίο, επιπλέον του χρόνου πίεσης της σκανδάλης.

Ετικέτες πάνω στο εργαλείο

Τα σύμβολα που ακολουθούν μαζί με τον κωδικό ημερομηνίας εμφανίζονται πάνω στο εργαλείο:



Προειδοποίηση! Για να μειωθεί ο κίνδυνος τραυματισμού, ο χρήστης πρέπει να διαβάσει το εγχειρίδιο οδηγιών.

Πρόσθετες οδηγίες ασφαλείας για μπαταρίες και φορτιστές

Μπαταρίες

- ◆ Ποτέ μην επιχειρήσετε να τις ανοίξετε για κανένα λόγο.
- ◆ Μην εκθέτετε την μπαταρία σε νερό.

- ◆ Μην τις αποθηκεύετε σε θεσίες όπου η θερμοκρασία ενδέχεται να υπερβεί τους 40 °C.
- ◆ Να τις φορτίζετε μόνο σε θερμοκρασίες περιβάλλοντος μεταξύ 10 °C και 40 °C.
- ◆ Να τις φορτίζετε μόνο με τη χρήση του φορτιστή που παρέχεται με το εργαλείο.
- ◆ Όταν απορρίπτετε τις μπαταρίες, ακολουθήστε τις οδηγίες στην ενότητα "Προστασία του περιβάλλοντος".



Μην επιχειρήσετε να φορτίσετε μπαταρίες που έχουν υποστεί ζημιά.

Φορτιστές

- ◆ Ο φορτιστής BLACK+DECKER πρέπει να χρησιμοποιείται αποκλειστικά και μόνο για τη φόρτιση της μπαταρίας στο εργαλείο που συνόδευε. Άλλες μπαταρίες ενδέχεται να εκραγούν, προκαλώντας τραυματισμό ατόμων και ζημιάς.
- ◆ Μην επιχειρείτε ποτέ να φορτίσετε μη επαναφορτιζόμενες μπαταρίες.
- ◆ Να φροντίζετε να αντικαθίστανται άμεσα τα καλώδια που έχουν υποστεί ζημιά.
- ◆ Μην εκθέτετε το φορτιστή σε νερό.
- ◆ Μην ανοίγετε το φορτιστή.
- ◆ Μην εισάγετε οποιοδήποτε εξάρτημα μέσα στο φορτιστή.



Ο φορτιστής προορίζεται για χρήση μόνο σε εσωτερικούς χώρους.



Διαβάστε το εγχειρίδιο οδηγιών πριν τη χρήση.

Ασφαλής χρήση ηλεκτρικού ρεύματος



Ο φορτιστής σας φέρει διπλή μόνωση. Επομένως, δεν απαιτείται αγωγός γείωσης. Ελέγχετε πάντα ότι η τάση ρεύματος δικτύου συμφωνεί με αυτήν που αναγράφεται στην πινακίδα τεχνικών χαρακτηριστικών. Ποτέ μην επιχειρήσετε να αντικαταστήσετε τη μονάδα φορτιστή με κανονικό φως ρεύματος δικτύου.

- ◆ Αν το καλώδιο ρεύματος έχει υποστεί ζημιά, πρέπει να αντικατασταθεί από τον κατασκευαστή ή εξουσιοδοτημένο κέντρο σέρβις BLACK+DECKER, για την αποφυγή κινδύνου.

Χαρακτηριστικά

Αυτό το εργαλείο διαθέτει μερικά από ή όλα τα παρακάτω χαρακτηριστικά.

1. Διακόπτης-σκανδάλη on/off
2. Συρόμενο κουμπί περιστροφής εμπρός/όπισθεν
3. Υποδοχή μύτης

4. Κουμπί ρύθμισης λαβής
5. Λαβή
6. Σύνδεσμος φορτιστή
7. Φακός
8. Κουμπί φακού

Φόρτιση του εργαλείου (εικ. Α)

Η μπαταρία πρέπει να φορτιστεί πριν την πρώτη χρήση και πάλι όταν δεν μπορεί πλέον να παρέχει επαρκή ισχύ σε εργασίες που πριν γινόντουσαν εύκολα. Η μπαταρία μπορεί να θερμαίνεται κατά τη φόρτιση. Κάτι τέτοιο είναι φυσιολογικό και δεν υποδηλώνει πρόβλημα.

Προειδοποίηση! Η φόρτιση πρέπει να γίνεται μόνο με το φορτιστή που παρέχεται μαζί με το εργαλείο.

- ◆ Για να φορτίσετε την μπαταρία, εισάγετε το βύσμα (6a) του φορτιστή στην υποδοχή (6).
- ◆ Συνδέστε το φορτιστή στην πρίζα.
- ◆ Αφήστε το εργαλείο συνδεδεμένο με το φορτιστή για 10 ώρες.

Ο φορτιστής μπορεί να προκαλεί κάποιο βόμβο και να θερμαίνεται κατά τη φόρτιση. Κάτι τέτοιο είναι φυσιολογικό και δεν υποδηλώνει πρόβλημα.

Προειδοποίηση! Μη φορτίζετε την μπαταρία σε θερμοκρασίες περιβάλλοντος κάτω από 10 °C ή πάνω από 40 °C. Η συνιστώμενη θερμοκρασία φόρτισης είναι περίπου 24 °C.

Τοποθέτηση και αφαίρεση μιας μύτης καταβιδιού ή καρυδιού (εικ. Β)

Προειδοποίηση! Βεβαιωθείτε ότι το εργαλείο είναι ασφαλισμένο, ώστε να αποτραπεί τυχόν ενεργοποίηση του διακόπτη πριν από την τοποθέτηση ή την αφαίρεση αξεσουάρ.

- ◆ Για να τοποθετήσετε μια μύτη καταβιδιού (9), εισάγετε την στην υποδοχή μύτης (3) μέχρι να εδράσει.
- ◆ Για να αφαιρέσετε μια μύτη καταβιδιού, τραβήξτε την από την υποδοχή μύτης.

Χρήση

Προειδοποίηση! Αφήστε το εργαλείο να λειτουργήσει με το δικό του ρυθμό. Μην το υπερφορτώνετε.

Χρήση του φακού (εικ. C)

- ◆ Πατήστε το κουμπί φακού (8) για να ενεργοποιήσετε το φακό (7).
- ◆ Πατήστε πάλι το κουμπί φακού (8) όταν θέλετε να απενεργοποιήσετε το φακό (7).

Ενεργοποίηση και απενεργοποίηση (εικ. D)

- ◆ Για να χειριστείτε το εργαλείο, πιέστε και κρατήστε το διακόπτη-σκανδάλη (1).
- ◆ Για να απενεργοποιήσετε το εργαλείο, απελευθερώστε το διακόπτη-σκανδάλη (1).

Επιλογή της κατεύθυνσης περιστροφής (εικ. Ε)

Για να σφίγγετε βίδες και τη διάτρηση οπών-οδηγών χρησιμοποιήστε την προς τα εμπρός (δεξιόστροφη) περιστροφή. Για ξεβίδωμα βίδας ή για αφαίρεση μύτης τρυπανιού που έχει κολλήσει χρησιμοποιείτε περιστροφή όπισθεν (αριστερόστροφη).

- ◆ Για να επιλέξετε περιστροφή εμπρός, πιέστε το συρόμενο κουμπί περιστροφής εμπρός/όπισθεν (2) προς τα δεξιά.
- ◆ Για να επιλέξετε περιστροφή όπισθεν, πιέστε το συρόμενο κουμπί περιστροφής εμπρός/όπισθεν (2) προς τα αριστερά.
- ◆ Για να ασφαλίσετε το εργαλείο, θέστε το συρόμενο κουμπί περιστροφής εμπρός/όπισθεν (2) στην κεντρική θέση.

Ρύθμιση της λαβής (Εικ. F)

Για άριστη ευελιξία, η λαβή μπορεί να τεθεί (5) σε τρεις διαφορετικές θέσεις.

- ◆ Πιέστε το κουμπί ρύθμισης λαβής (4).
- ◆ Μετακινήστε το πέδιλο (5) του πριονιού στην επιθυμητή θέση.
- ◆ Πιέστε το κουμπί ρύθμισης λαβής (4).

Συντήρηση

Το εργαλείο BLACK+DECKER που έχετε στην κατοχή σας έχει σχεδιαστεί έτσι ώστε να λειτουργεί για μεγάλο χρονικό διάστημα με την ελάχιστη δυνατή συντήρηση. Η συνεχής ικανοποιητική λειτουργία εξαρτάται από τη σωστή φροντίδα και τον τακτικό καθαρισμό του εργαλείου.

Ο φορτιστής σας δεν χρειάζεται καμία άλλη συντήρηση πέραν του τακτικού καθαρισμού.

Προειδοποίηση! Πρωτοί πραγματοποιήστε κάποια συντήρηση στο εργαλείο, αφαιρέστε την μπαταρία από το εργαλείο. Αποσυνδέστε το φορτιστή από την πρίζα πριν τον καθαρίσετε.

- ◆ Να καθαρίζετε τακτικά τις εγχοπές εξαρτισμού του εργαλείου και του φορτιστή με μια μαλακή βούρτσα ή με ένα στεγνό πανί.
- ◆ Να καθαρίζετε τακτικά το περιβλήμα του μοτέρ με ένα ελαφρά υγρό πανί. Μη χρησιμοποιείτε λειαντικά καθαριστικά ή υγρά καθαρισμού που περιέχουν διαλυτικά.
- ◆ Τινάζετε τακτικά την υποδοχή μγών για να αφαιρέσετε τυχόν σκόνη από το εσωτερικό της.

Προστασία του περιβάλλοντος

Χωριστή συλλογή. Τα προϊόντα και οι μπαταρίες που επισημαίνονται με αυτό το σύμβολο δεν πρέπει να απορρίπτονται μαζί με τα κανονικά οικιακά απορρίμματα.

Τα προϊόντα και οι μπαταρίες περιέχουν υλικά που μπορούν να ανακτηθούν ή να ανακυκλωθούν ώστε να μειωθούν οι ανάγκες για πρώτες ύλες.

Παρακαλούμε να ανακυκλώνετε τα ηλεκτρικά προϊόντα και τις μπαταρίες σύμφωνα με τους τοπικούς κανονισμούς. Περισσότερες πληροφορίες διατίθενται στον ιστότοπο www.2helpU.com

Τεχνικά δεδομένα

		BDCSFL20 H1
Τάση	V _{DC}	3.6
Ταχύτητα χωρίς φορτίο	σ.α.λ. ⁻¹	180
Μέγ. ροπή (αξιολόγηση κατά PTI)	Nm	5.5
Τύπος μπαταρίας		Ιόντων λιθίου
Χωρητικότητα μπαταρίας	Ah	1.5
Βάρος	kg	0.35

		9062787*-01
Τάση εισόδου	V _{AC}	100 - 240
Τάση εξόδου	V _{DC}	15
Ρεύμα	mA	150
Χρόνος φόρτισης περ.	Ωρες	10

Στάθμη ηχητικής πίεσης κατά EN 62841:	
Ηχητική πίεση (L _{WA})	53 dB(A), αβεβαιότητα (K) 3 dB(A)
Ηχητική ισχύς (L _{WA})	64 dB(A), αβεβαιότητα (K) 3 dB(A)
Οι συνολικές τιμές δόνησης (διανυσματικό άθροισμα τριών αξόνων) κατά EN 62841:	
Βίδωμα χωρίς κρούση (a _{v, is})	0,3 m/s ² , αβεβαιότητα (K) 1,5 m/s ²

Δήλωση συμμόρφωσης ΕΚ

ΟΔΗΓΙΑ ΠΕΡΙ ΜΗΧΑΝΗΜΑΤΩΝ



BDCSFL20 - κατασβίδι

Η Black & Decker δηλώνει ότι τα προϊόντα αυτά που περιγράφονται στα "τεχνικά χαρακτηριστικά" συμμορφώνονται με τα ακόλουθα:
2006/42/ΕΚ, EN62841-1:2015, EN62841-2-2:2014,
Αυτά τα προϊόντα συμμορφώνονται και με την Οδηγία 2014/30/ΕΕ και 2011/65/ΕΕ.

Για περισσότερες πληροφορίες, επικοινωνήστε με την Black & Decker στην παρακάτω διεύθυνση ή ανατρέξτε στο πίσω μέρος του εγχειριδίου.

Ο κάτωθι υπογεγραμμένος είναι υπεύθυνος για την κατάρτιση του τεχνικού φακέλου και δηλώνει τα παρόντα εκ μέρους της Black & Decker.

Ray Laverick
Διευθυντής Σχεδιασμού
Black & Decker Europe, 210 Bath Road, Slough,
Berkshire, SL1 3YD
United Kingdom
17/05/2017

Εγγύηση

Η Black & Decker είναι σίγουρη για την ποιότητα των προϊόντων της και προσφέρει στους καταναλωτές εγγύηση 24 μηνών από την ημερομηνία αγοράς. Αυτή η εγγύηση συμπληρώνει και με κανένα τρόπο δεν παραβάλλει τα νόμιμα δικαιώματά σας. Η εγγύηση ισχύει εντός της επικράτειας των χωρών μελών της Ευρωπαϊκής Ένωσης και της Ευρωπαϊκής Ζώνης Ελεύθερων Συναλλαγών.

Για να υποβάλετε αξίωση βάσει της εγγύησης, η αξίωση θα πρέπει να είναι σύμφωνη με τους Όρους και προϋποθέσεις της Black & Decker και θα χρειαστεί να υποβάλετε απόδειξη αγοράς στον πωλητή ή σε εξουσιοδοτημένο αντιπρόσωπο επισκευών. Μπορείτε να αποκτήσετε τους Όρους και προϋποθέσεις της εγγύησης 2 ετών της Black & Decker και να μάθετε την τοποθεσία του πλησιέστερου εξουσιοδοτημένου αντιπροσώπου επισκευών στο Internet στο www.2helpU.com, ή επικοινωνώντας με το τοπικό σας γραφείο Black & Decker στη διεύθυνση που υποδεικνύεται στο παρόν εγχειρίδιο.

Παρακαλούμε επισκεφθείτε την ιστοσελίδα μας www.black-anddecker.gr για να καταχωρίσετε το νέο σας προϊόν Black & Decker και για να ενημερώνεστε για τα νέα προϊόντα και τις ειδικές προσφορές.

België/Belgique/Luxembourg www.blackanddecker.be enduser.be@sbdinc.com	Stanley Black & Decker Belgium BVBA Egide Walschaertsstraat 16 2800 Mechelen	Tel. NL +32 15 47 37 65 Tel. FR +32 15 47 37 66 Fax. +32 15 47 37 99
Danmark	Black & Decker Roskildevej 22 2620 Albertslund	kundeservice.dk@sbdinc.com www.blackanddecker.dk
Deutschland www.blackanddecker.de infobfge@sdbinc.com	Stanley Black & Decker Deutschland GmbH Black & Decker Str. 40, D - 65510 Idstein	Tel. 06126 21-0 Fax 06126 21-2980
Ελλάδα www.blackanddecker.gr greece.service@sbdinc.com	Stanley Black & Decker (ΕΛΛΑΣ) Ε.Π.Ε ΓΡΑΦΕΙΑ: Σπυρίδωνος 7 & Βουλιαγμένης 166 74 Γλυφάδα - Αθήνα	Τηλ. 210-8981616 Φαξ 210-8983570
SERVICE:	Ημερος Τόπος 2 -Χάνι Αδάμ 193 00 Ασπρόπυργος - Αθήνα	Τηλ. Service 210-8985208 Φαξ 210-5597598
España www.blackanddecker.es respuesta.posventa@sbdinc.com	Stanley Black & Decker Ibérica, S.C.A. Parc de Negocis "Mas Blau" Edificio Muntadas, c/Bergadá, 1, Of. A6 08820 El Prat de Llobregat (Barcelona)	Tel. 934 797 400 Fax 934 797 419
France www.blackanddecker.fr	Black & Decker (France) S.A.S. 5 allée des Hêtres B.P. 30084 69579 Limonest Cédex	Tel. 04 72 20 39 20 Fax 04 72 20 39 00
Helvetia www.blackanddecker.ch service@rofoag.ch	ROFO AG Gewerbezone Seeblick 3213 Kleinbösingen	Tel. 026-6749393 Fax 026-6749394
Italia www.blackanddecker.it service.italia@sbdinc.com	Stanley Black & Decker Italia Via Energypark 6 20871 Vimercate (MB)	Tel. 039-9590200 Fax 039-9590313 Numero verde 800-213935
Nederland www.blackanddecker.nl enduser.nl@sbdinc.com	Stanley Black & Decker Netherlands BV Holtum Noordweg 35, 6121 RE BORN Postbus 83, 6120 AB BORN	Tel. +31 164 283 065 Fax +31 164 283 200
Norge	Black & Decker Postboks 4613, Nydalen 0405 Oslo	kundeservice.no@sbdinc.com www.blackanddecker.no
Österreich www.blackanddecker.at service.austria@sbdinc.com	Stanley Black & Decker Austria GmbH Oberlaaerstraße 248, A-1230 Wien	Tel. 01 66116-0 Fax 01 66116-614
Portugal www.blackanddecker.pt resposta.posvenda@sbdinc.com	Black & Decker Limited SARL Quinta da Fonte - Edifício Q55 D, Diniz Rua dos Malhões, 2 e 2A - Piso 2 Esquerdo 2770 - 071 Paço de Arcos	Tel. 214667500 Fax 214667580
Suomi	Black & Decker PL47 00521, Helsinki	asiakaspalvelu.fi@sbdinc.com www.blackanddecker.fi
Sverige	Black & Decker AB Box 94, 431 22 Mölndal	kundservice.se@sbdinc.com www.blackanddecker.se
Türkiye www.blackanddecker.com.tr	KALE Hırdavat ve Makina A.Ş. Deftardar Mah. Savaklar Cad. No:15 Edirnekapı / Eyüp / İstanbul 34050	Tel. 0212 533 52 55 Fax. 0212 533 10 05
United Kingdom & Republic Of Ireland www.blackanddecker.co.uk emeaservice@sbdinc.com	Black & Decker 210 Bath Road Slough, Berkshire SL1 3YD	Tel. 01753 511234 Fax 01753 512365
Middle East & Africa www.blackanddecker.ae service.mea@sbdinc.com	Black & Decker P.O.Box - 17164 Jebel Ali Free Zone (South), Dubai, UAE	Tel. +971 4 8863030 Fax +971 4 8863333